



US00D596058S

(12) **United States Design Patent**
Lewis et al.

(10) **Patent No.:** **US D596,058 S**
(45) **Date of Patent:** **** Jul. 14, 2009**

(54) **TAPE RULE**

(75) Inventors: **Steven W. Lewis**, 120 Washington Ave., Woodbury, CT (US) 06798; **Robert L. Brass**, Washington, CT (US); **James M. Ferro**, Shelton, CT (US)

(73) Assignee: **Steven W. Lewis**, Woodbury, CT (US)

(**) Term: **14 Years**

(21) Appl. No.: **29/312,550**

(22) Filed: **Oct. 29, 2008**

(51) **LOC (9) Cl.** **10-04**

(52) **U.S. Cl.** **D10/72**

(58) **Field of Classification Search** D10/62,
D10/72, 74; 33/755-770, DIG. 1
See application file for complete search history.

(56) **References Cited**

U.S. PATENT DOCUMENTS

| | | | | | |
|--------------|------|---------|-------------|-------|--------|
| 2,695,454 | A * | 11/1954 | Dart | | D10/72 |
| D345,513 | S * | 3/1994 | Syrett | | D10/72 |
| 5,349,760 | A * | 9/1994 | DeVito | | D10/72 |
| RE37,824 | E * | 9/2002 | Pullen | | 33/761 |
| 2005/0246917 | A1 * | 11/2005 | Webb et al. | | 33/760 |

* cited by examiner

Primary Examiner—Antoine D Davis
(74) *Attorney, Agent, or Firm*—Ira S. Dorman

(57) **CLAIM**

The ornamental design for a tape rule, as shown and described.

DESCRIPTION

FIG. 1 is a perspective view of the tape rule of the invention showing, in broken line, a belt clip and a catch on the end of a contained measuring tape;

FIG. 2 is a bottom view of the tape rule showing, in broken line, the measuring tape end catch and also a label;

FIG. 3 is a side elevational view of the tape rule showing, in broken line, the measuring tape end catch;

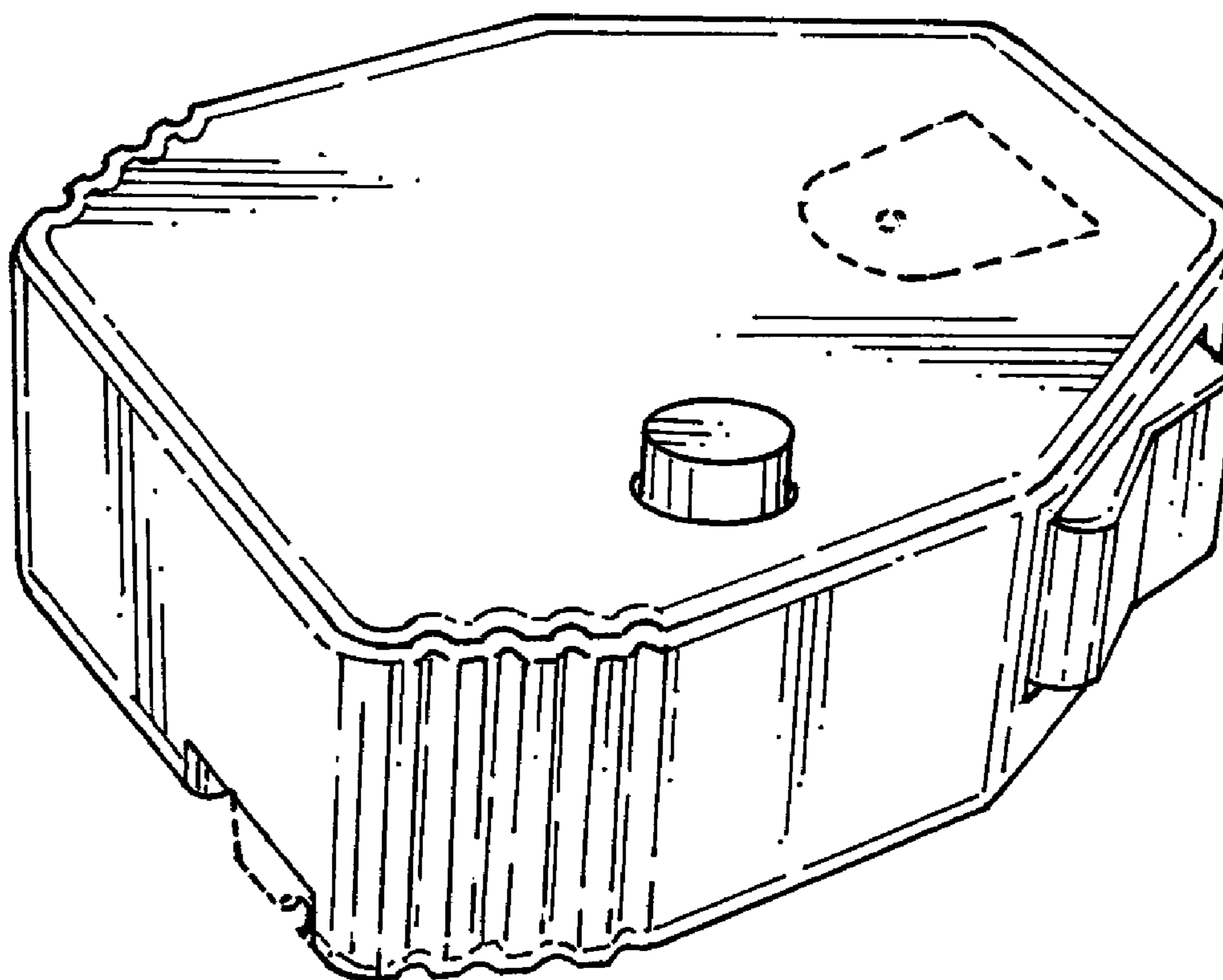
FIG. 4 is a top plan view of the tape rule showing, in broken line, the belt clip;

FIG. 5 is a opposite side elevational view of the tape rule showing, in broken line, the measuring tape end catch;

FIG. 6 is a front end elevational view showing, in broken line, the measuring tape end catch; and,

FIG. 7 is a back end elevational view showing, in broken line, the measuring tape end catch.

1 Claim, 3 Drawing Sheets



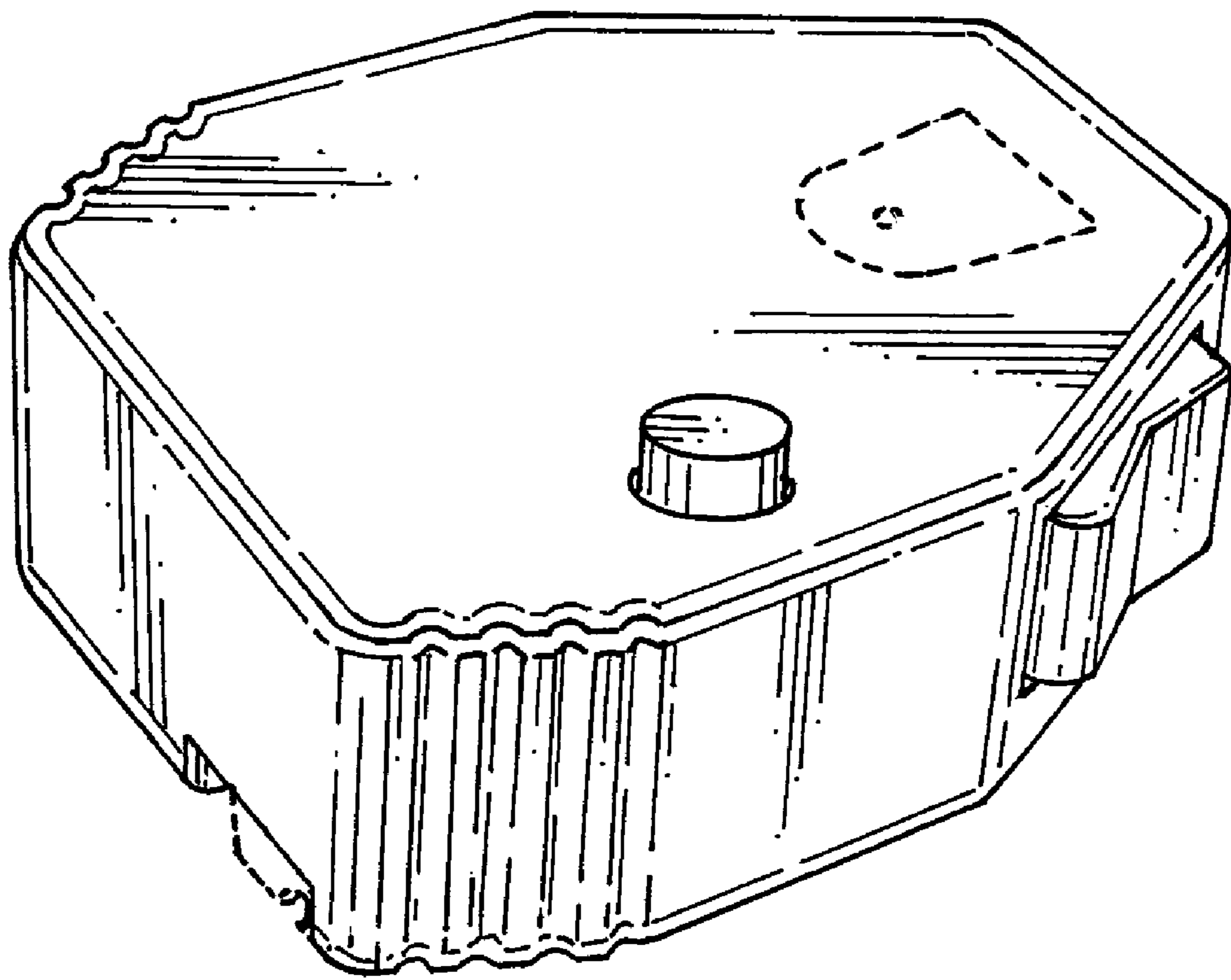


FIG. 1

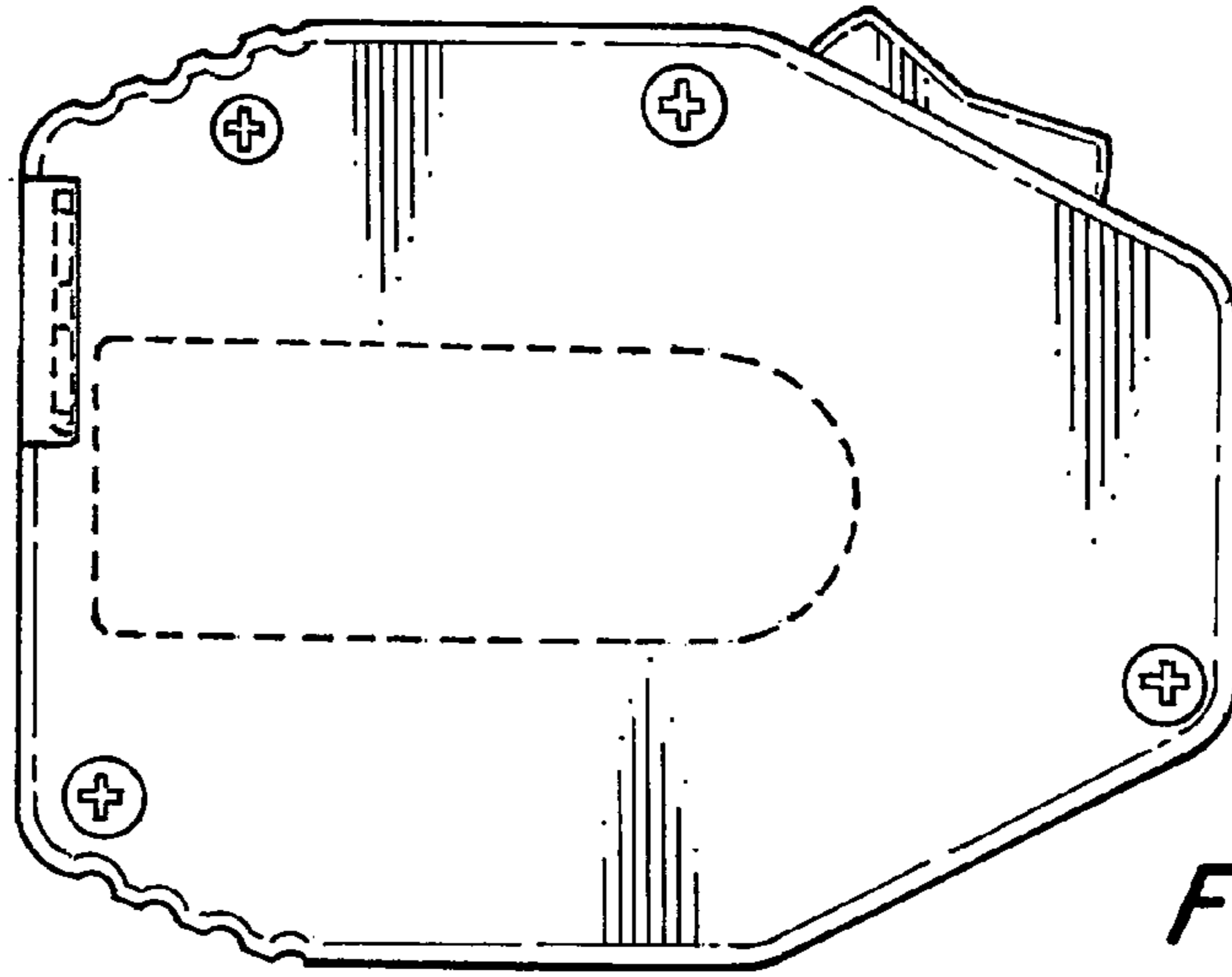


FIG. 2

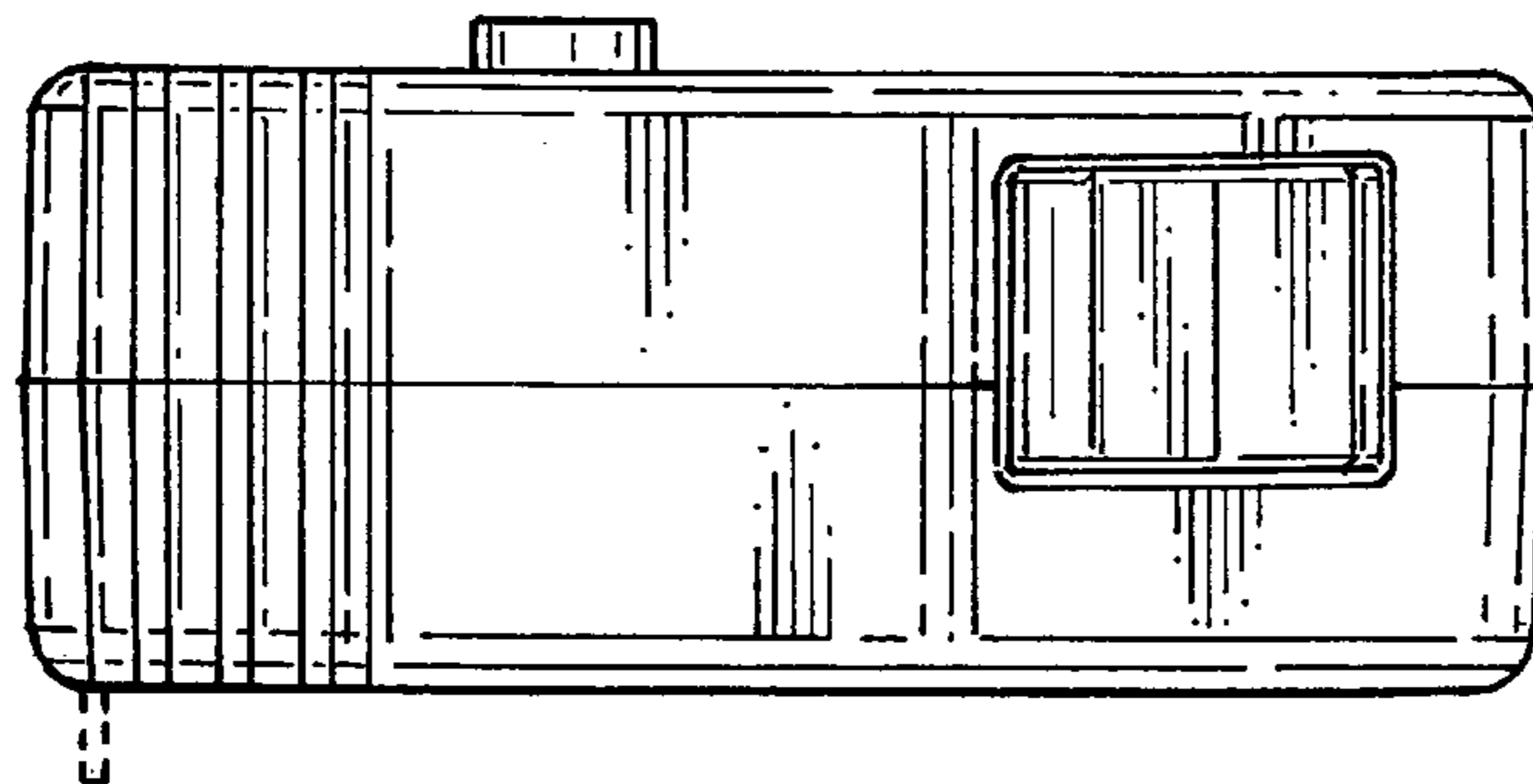


FIG. 3

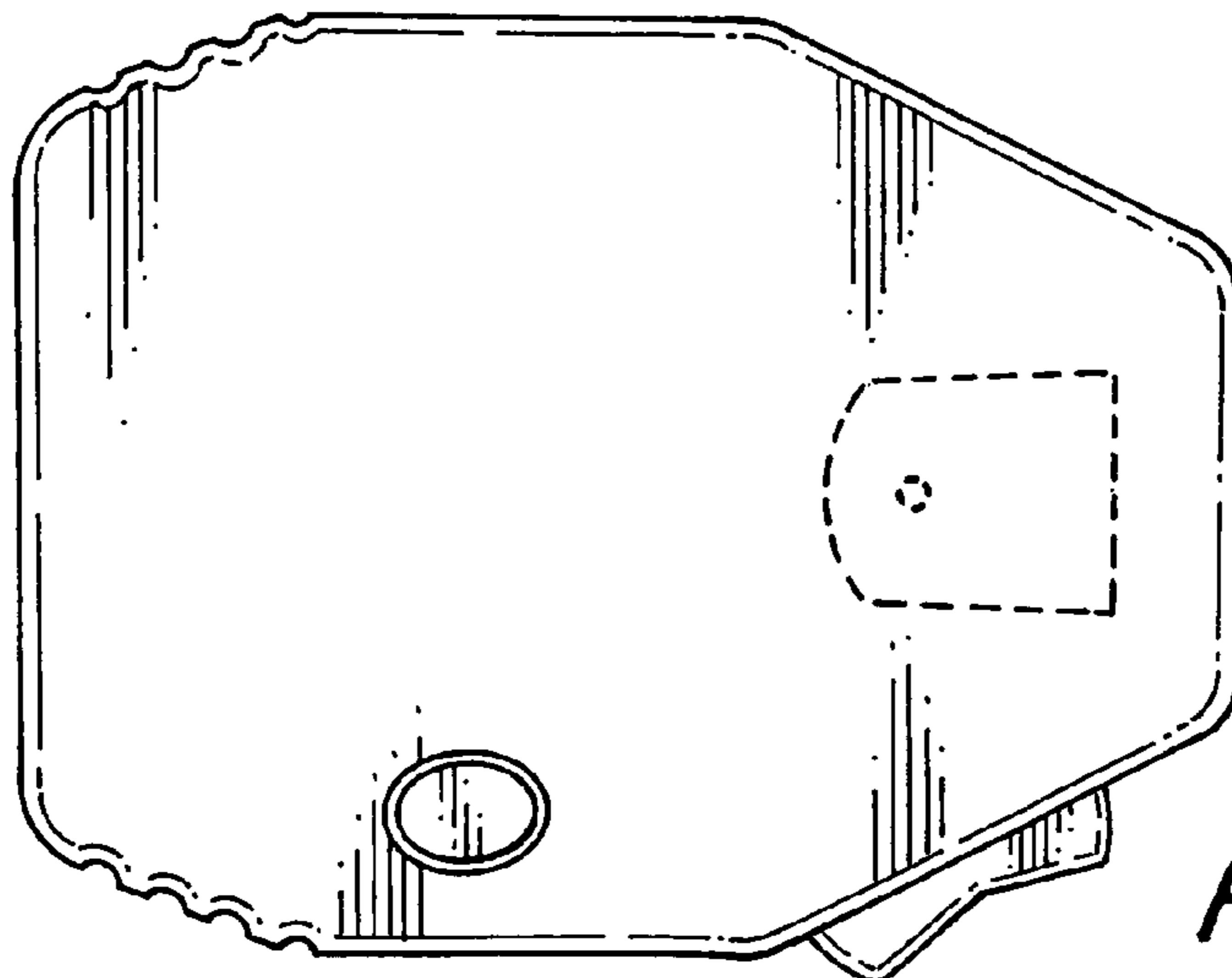


FIG. 4

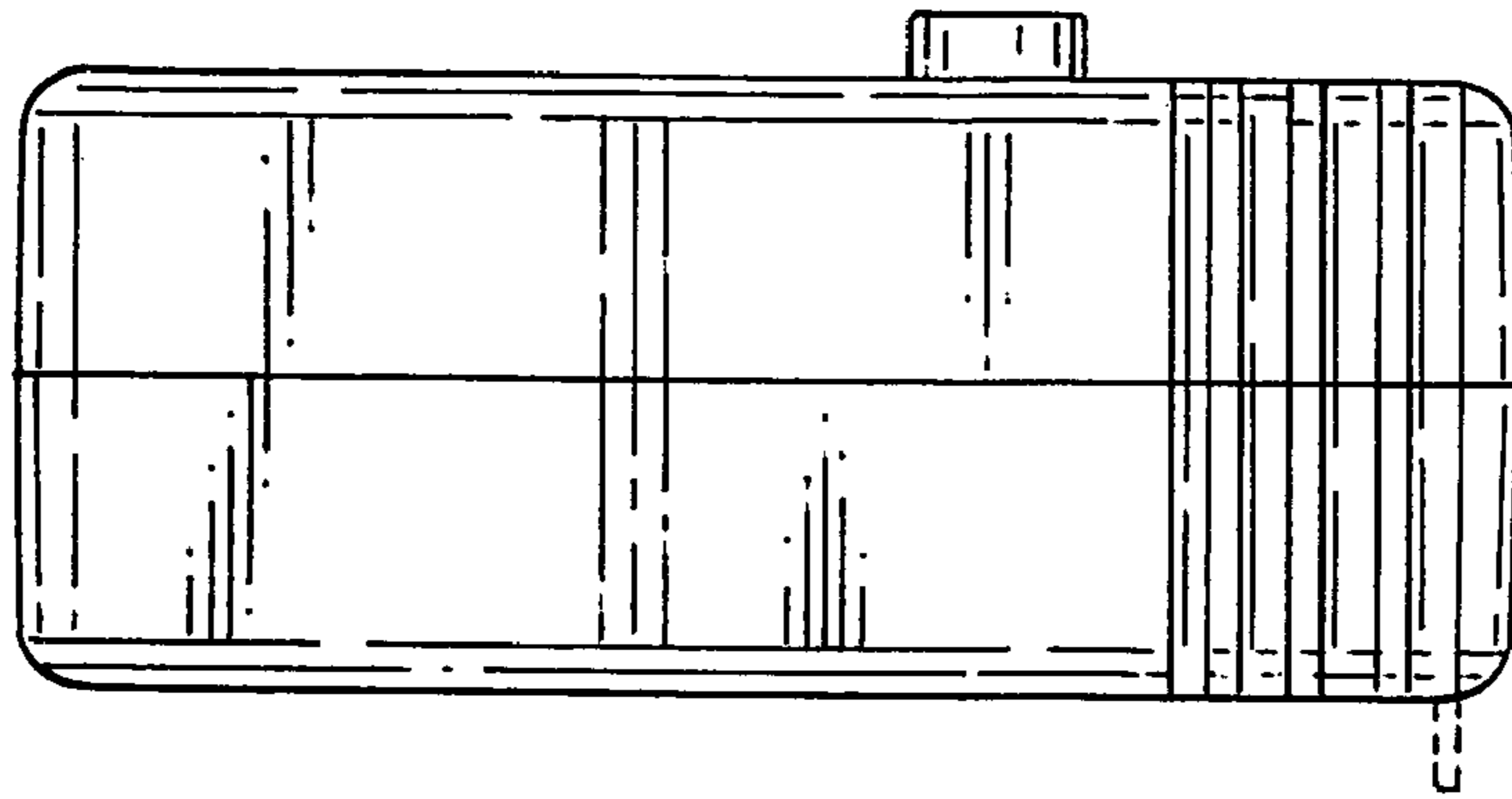


FIG. 5

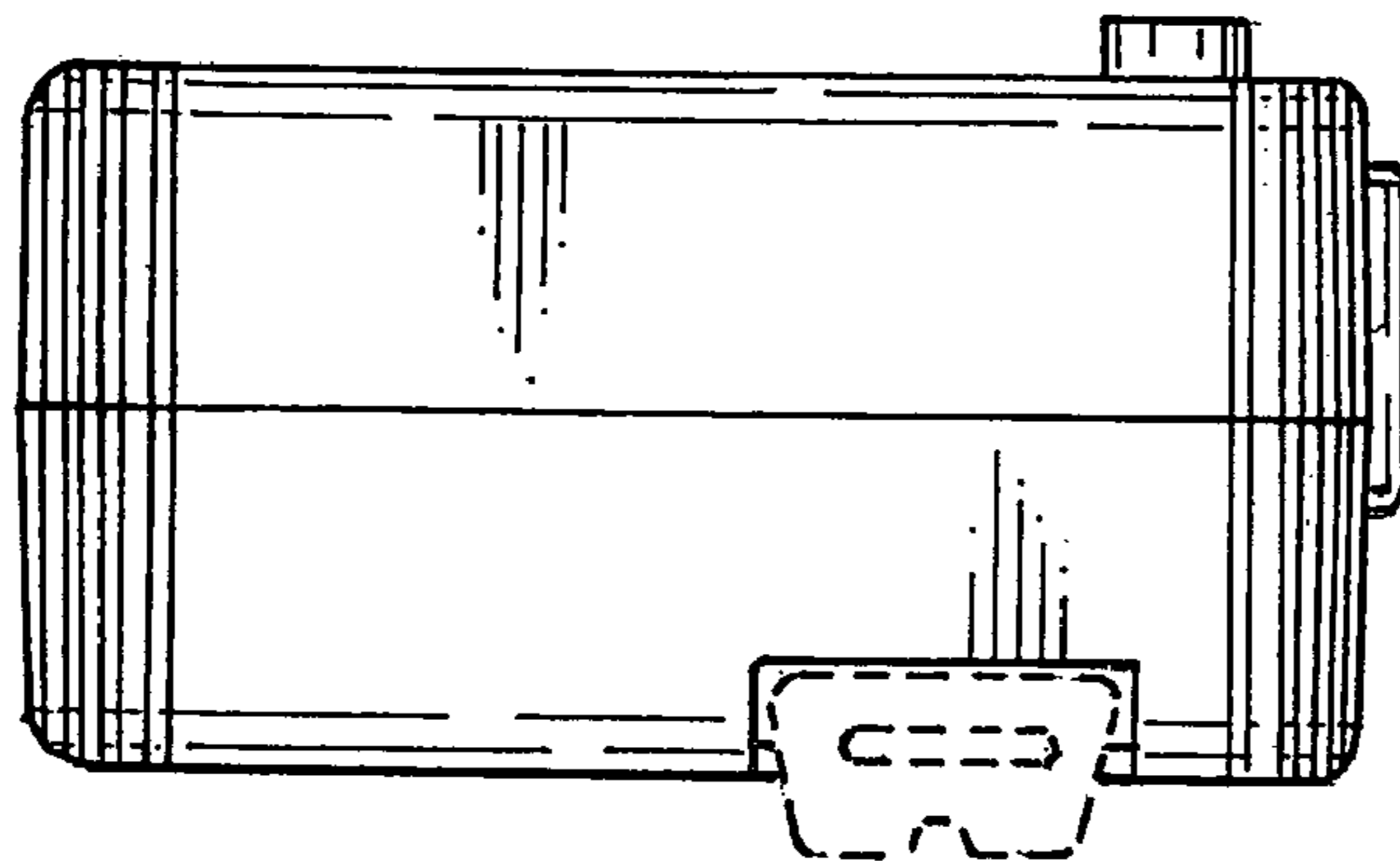


FIG. 6

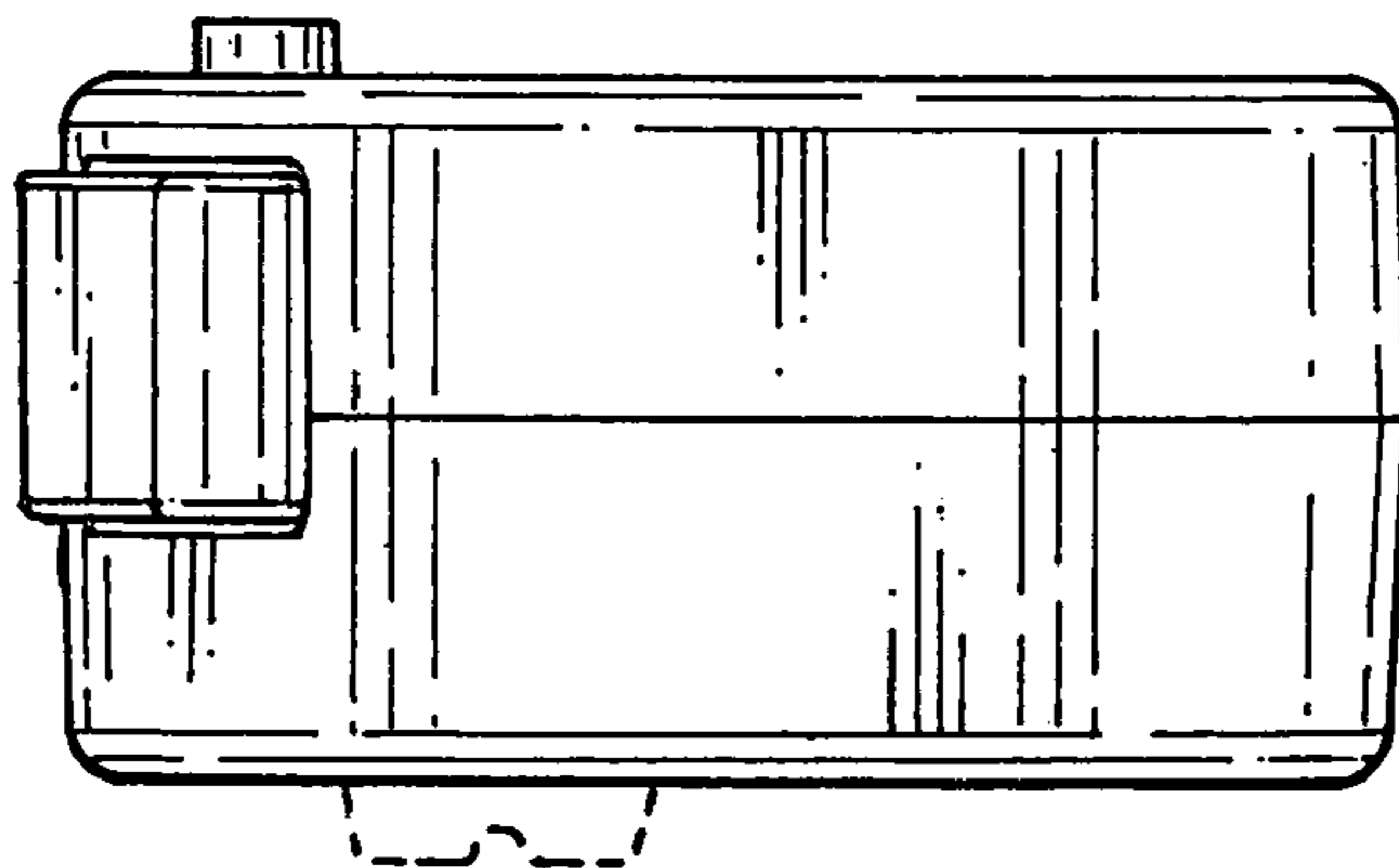


FIG. 7

UNITED STATES PATENT AND TRADEMARK OFFICE
CERTIFICATE OF CORRECTION

PATENT NO. : Des. 596,058 S
APPLICATION NO. : 29/312550
DATED : July 14, 2009
INVENTOR(S) : Steven W. Lewis, Robert L. Brass and James M. Ferro

Page 1 of 1

It is certified that error appears in the above-identified patent and that said Letters Patent is hereby corrected as shown below:

Title Page, Item (73) should read:

Assignee: Steven W. Lewis, Woodbury, CT (US),
of the interest of James M. Ferro

Signed and Sealed this

Twenty-fourth Day of November, 2009



David J. Kappos
Director of the United States Patent and Trademark Office