

US00D596056S

(12) **United States Design Patent**  
**Scheyer**

(10) **Patent No.:** **US D596,056 S**

(45) **Date of Patent:** **\*\* Jul. 14, 2009**

(54) **SPIRIT LEVEL**

(75) Inventor: **Wolfgang Scheyer, Götzis (AT)**

(73) Assignee: **Sola-Messwerkzeuge GmbH, Gotzis (AT)**

(\*\*) Term: **14 Years**

(21) Appl. No.: **29/309,561**

(22) Filed: **Sep. 3, 2008**

(30) **Foreign Application Priority Data**

Aug. 28, 2008 (EM) ..... 000993001

(51) **LOC (9) Cl.** ..... **10-04**

(52) **U.S. Cl.** ..... **D10/69**

(58) **Field of Classification Search** ..... D10/69;  
33/365, 366.11–366.27, 367–391

See application file for complete search history.

(56) **References Cited**

**U.S. PATENT DOCUMENTS**

D486,084 S \* 2/2004 Kun et al. .... D10/69

D497,316 S \* 10/2004 Kun et al. .... D10/69  
D503,635 S \* 4/2005 Kallabis ..... D10/69  
7,472,487 B2 \* 1/2009 Tran et al. .... 33/379

\* cited by examiner

*Primary Examiner*—Antoine D Davis

(74) *Attorney, Agent, or Firm*—Wenderoth, Lind & Ponack, L.L.P.

(57) **CLAIM**

The ornamental design for a spirit level, as shown and described.

**DESCRIPTION**

FIG. 1 is a perspective view of the invention;

FIG. 2 is a front view of the invention;

FIG. 3 is a back view of the invention;

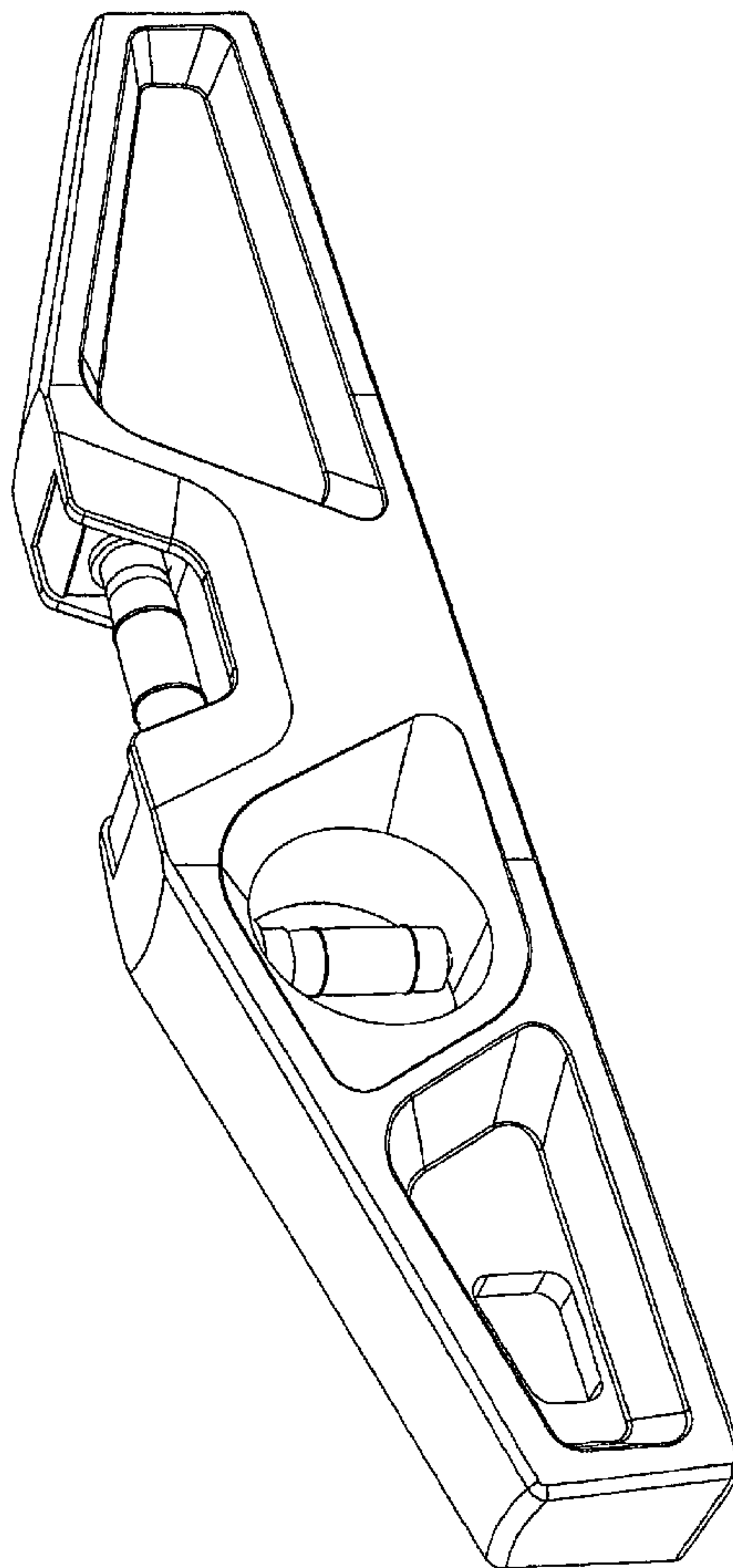
FIG. 4 is a top view of the invention;

FIG. 5 is a bottom view of the invention;

FIG. 6 is a right side view of the invention; and,

FIG. 7 is a left side view of the invention.

**1 Claim, 7 Drawing Sheets**



**Figure 1**

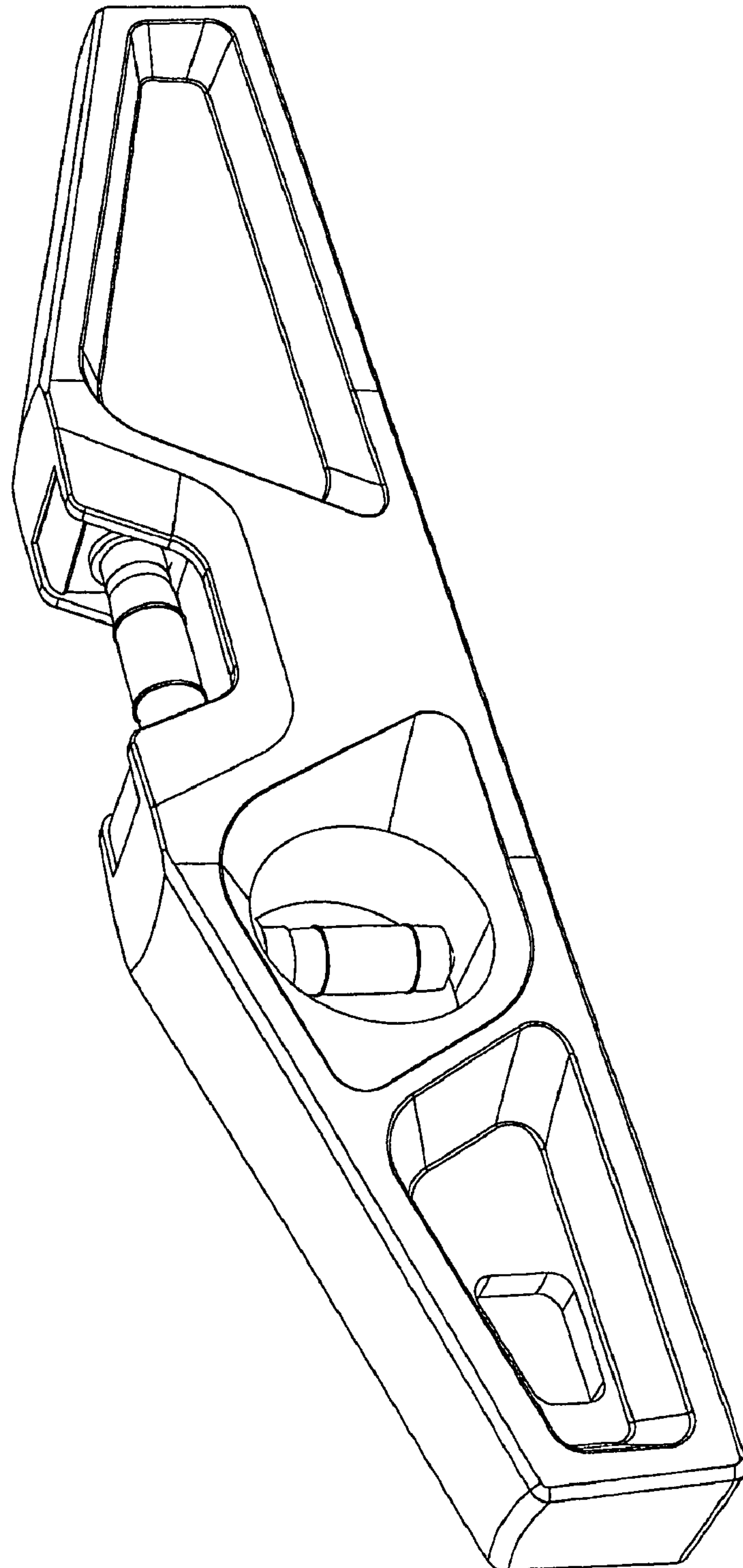


Figure 2

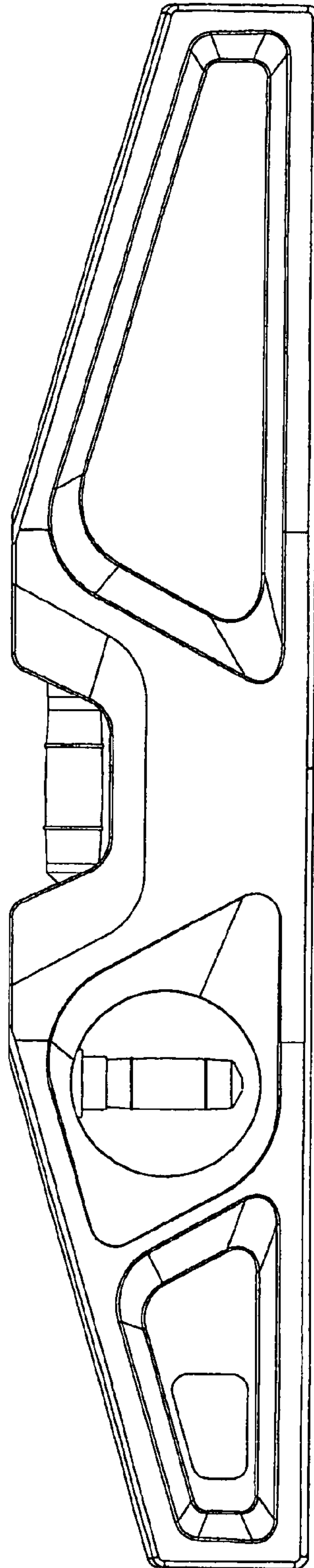
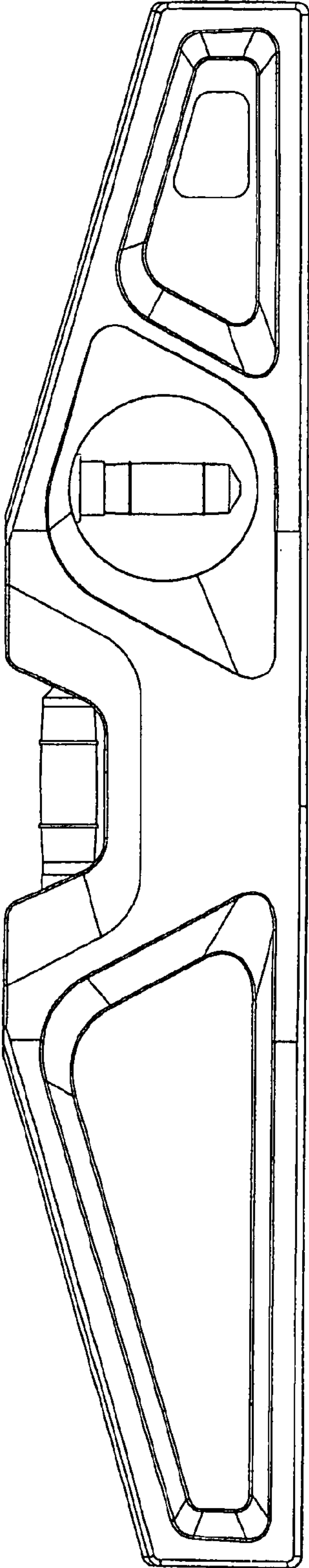
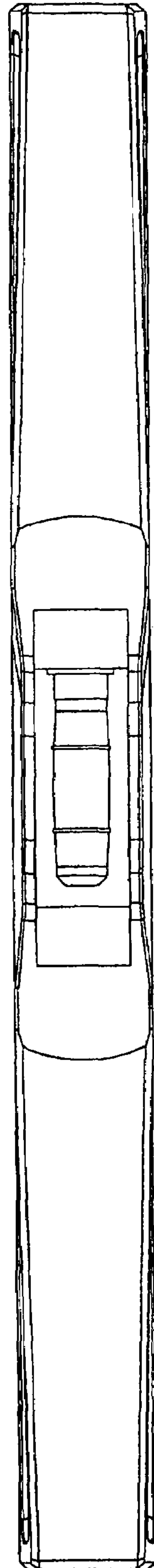


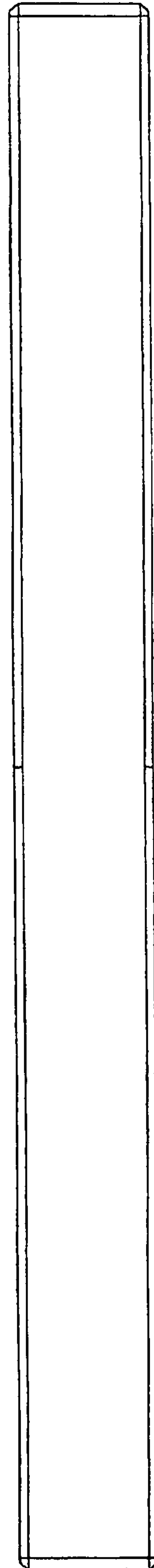
Figure 3



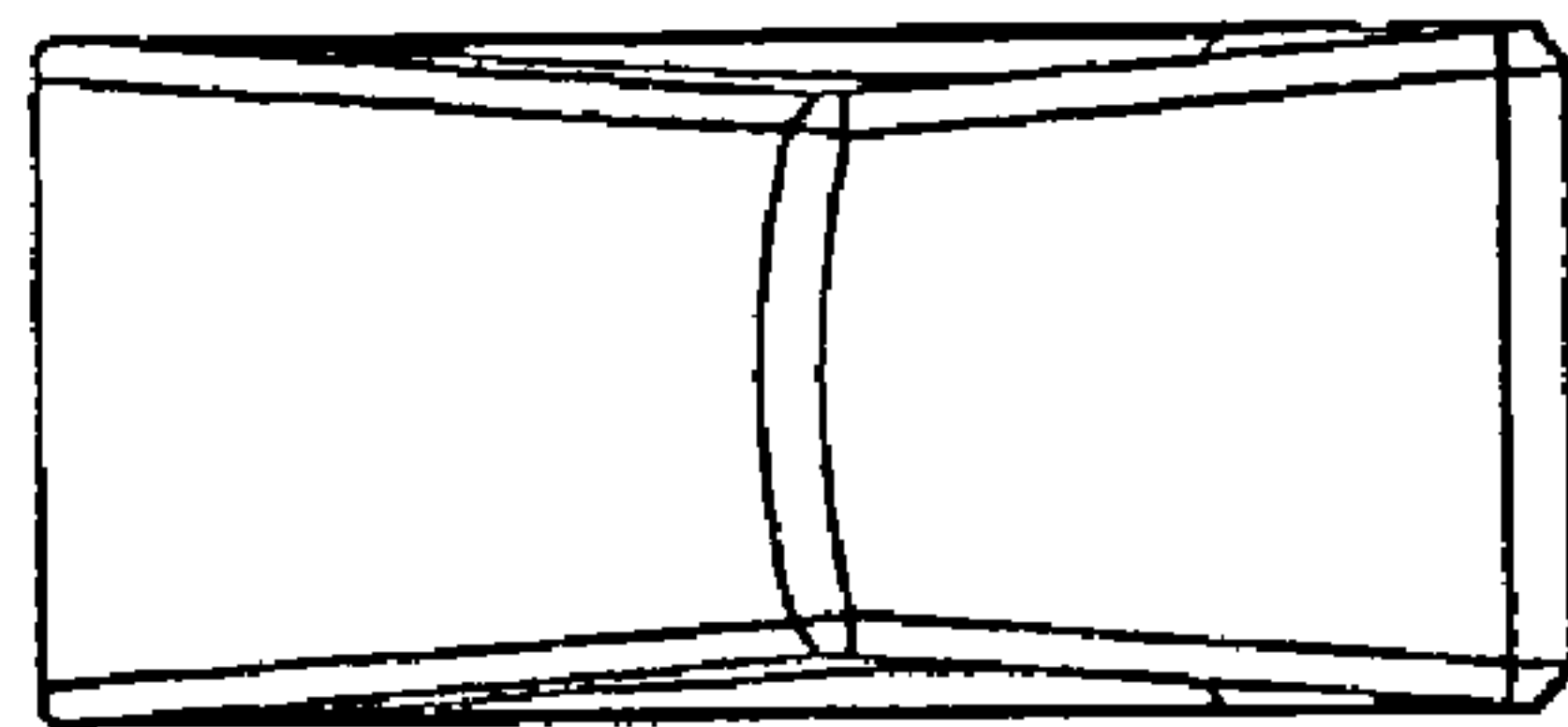
**Figure 4**



**Figure 5**



# Figure 6



# Figure 7

