



US00D596052S

(12) **United States Design Patent**
Gruosi

(10) **Patent No.:** **US D596,052 S**
(45) **Date of Patent:** **** Jul. 14, 2009**

(54) **WATCH**

(75) Inventor: **Fawaz Gruosi**, Prangins (CH)

(73) Assignee: **de Grisogono, S.A.**, Plans-Les Ouates (CH)

(**) Term: **14 Years**

(21) Appl. No.: **29/281,981**

(22) Filed: **Jul. 9, 2007**

(30) **Foreign Application Priority Data**

Jan. 12, 2007 (CH) 133529

(51) **LOC (9) Cl.** **10-02**

(52) **U.S. Cl.** **D10/38**

(58) **Field of Classification Search** D10/125,
D10/30-39; 368/276, 281, 282
See application file for complete search history.

(56) **References Cited**

U.S. PATENT DOCUMENTS

D351,799 S *	10/1994	Bulgari	D10/39
D355,371 S *	2/1995	Strasser	D10/30
D393,598 S *	4/1998	Perrin et al.	D10/39
D403,599 S *	1/1999	Emmenegger	D10/39
D421,919 S *	3/2000	Bodino	D10/32
D422,223 S *	4/2000	Bodino	D10/32
D430,495 S *	9/2000	Wunderman	D10/32
D434,335 S *	11/2000	Amstutz	D10/32
D439,525 S *	3/2001	Versace	D10/30
D440,514 S *	4/2001	Gruosi	D10/125
D440,886 S *	4/2001	Burgener	D10/32
D441,668 S *	5/2001	Dumas	D10/39
D444,406 S *	7/2001	Hysek	D10/126
D446,461 S *	8/2001	Wunderman	D10/32
D447,425 S *	9/2001	Bodino	D10/32

D452,171 S *	12/2001	Bodino	D10/32
D456,283 S *	4/2002	Baumann	D10/32
D462,280 S *	9/2002	Cheng	D10/39
D462,281 S *	9/2002	Wunderman	D10/39
D475,934 S *	6/2003	Bulgari	D10/30
D487,403 S *	3/2004	Geockeritz et al.	D10/39
D487,404 S *	3/2004	Dubarry	D10/39
D495,613 S *	9/2004	Ellia	D10/39
D507,497 S *	7/2005	Liao	D10/30
D508,211 S *	8/2005	Dreyfuss	D10/32
D514,455 S *	2/2006	Peraldi et al.	D10/38
D519,853 S *	5/2006	Sirmakes	D10/32
D526,215 S *	8/2006	Calvani	D10/38
D526,912 S *	8/2006	Calvani	D10/38
D569,740 S *	5/2008	Bodino	D10/38
D574,261 S *	8/2008	Dreyfuss	D10/32

* cited by examiner

Primary Examiner—Lucy Lieberman

(74) *Attorney, Agent, or Firm*—Venable, Campillo, Logan & Meaney PC

(57) **CLAIM**

The ornamental design for a watch, as shown.

DESCRIPTION

FIG. 1 is a front elevation of a watch showing my new design;
FIG. 2 is a top plan view thereof;
FIG. 3 is a bottom plan view thereof;
FIG. 4 is a left side elevation thereof;
FIG. 5 is a rear elevation thereof;
FIG. 6 is a right side elevation thereof; and,
FIG. 7 is a front, right side and bottom perspective view thereof.

1 Claim, 1 Drawing Sheet

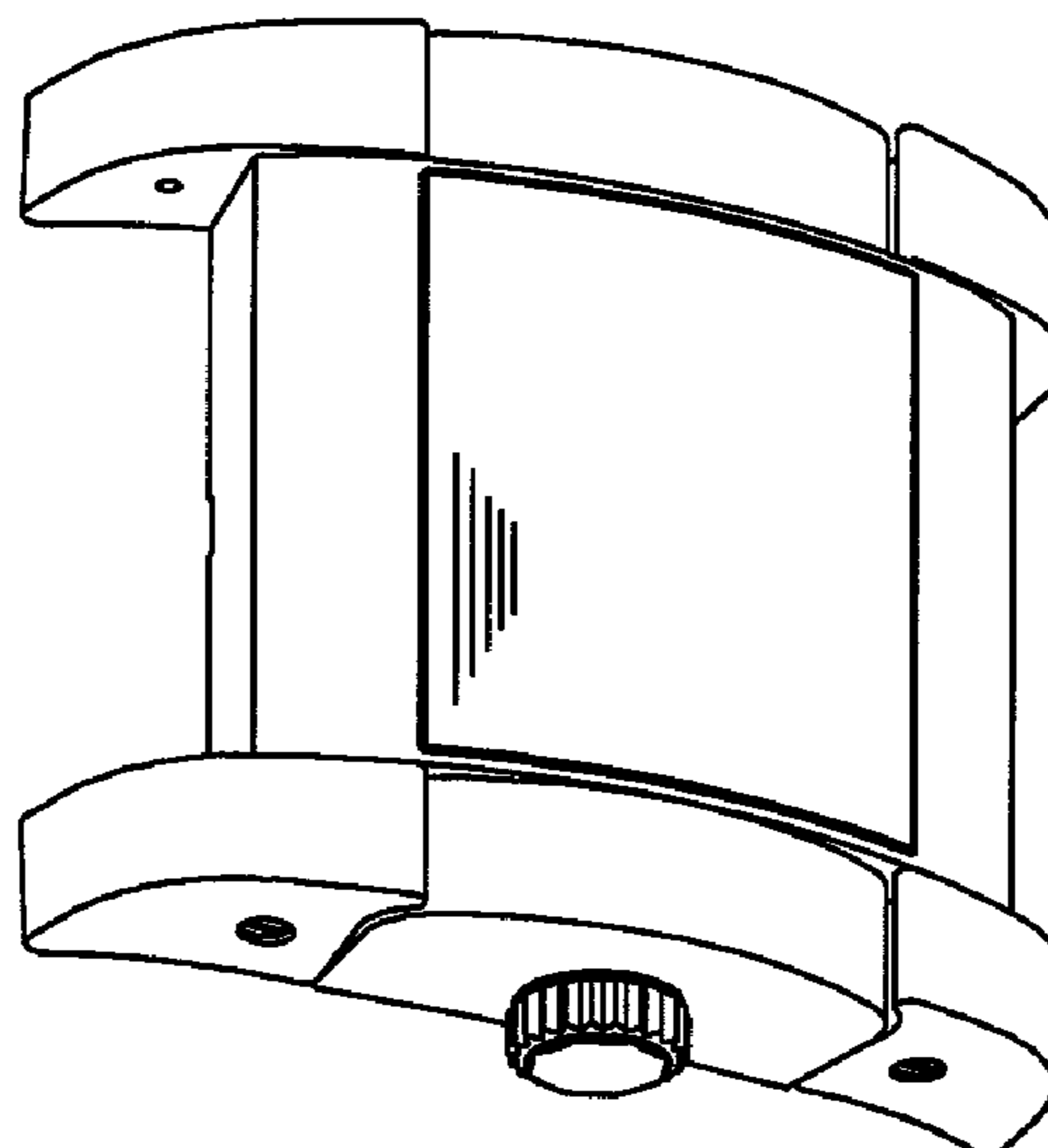


Fig. 2

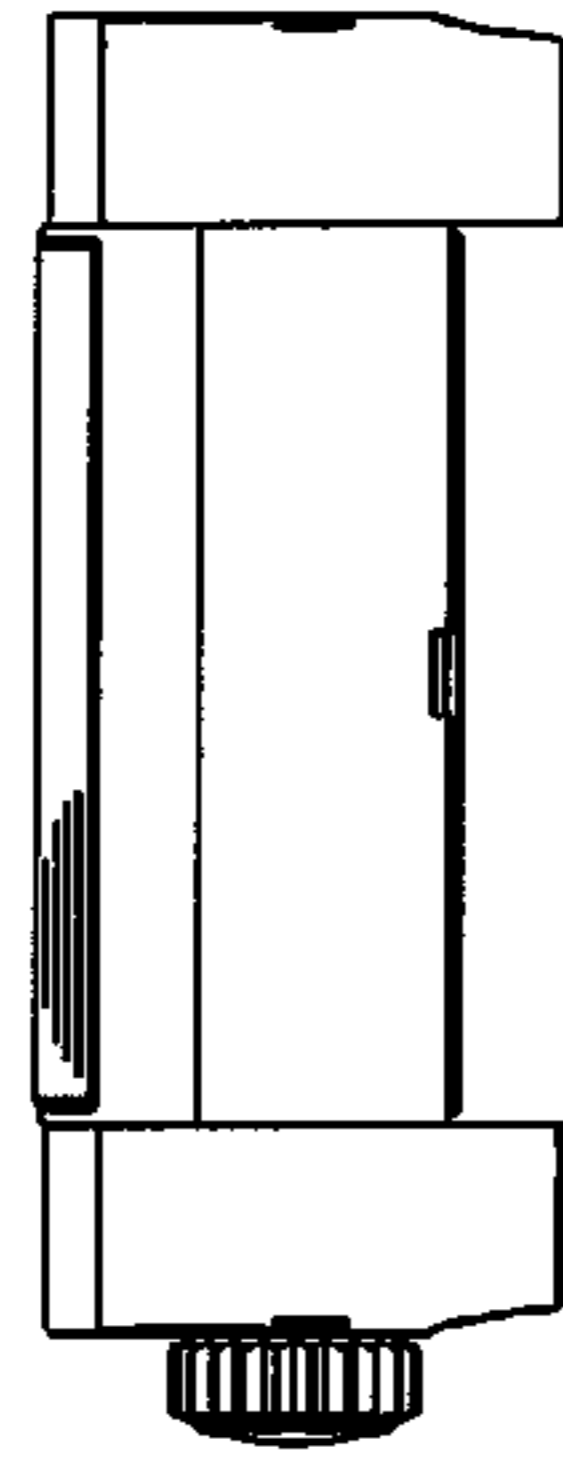


Fig. 1

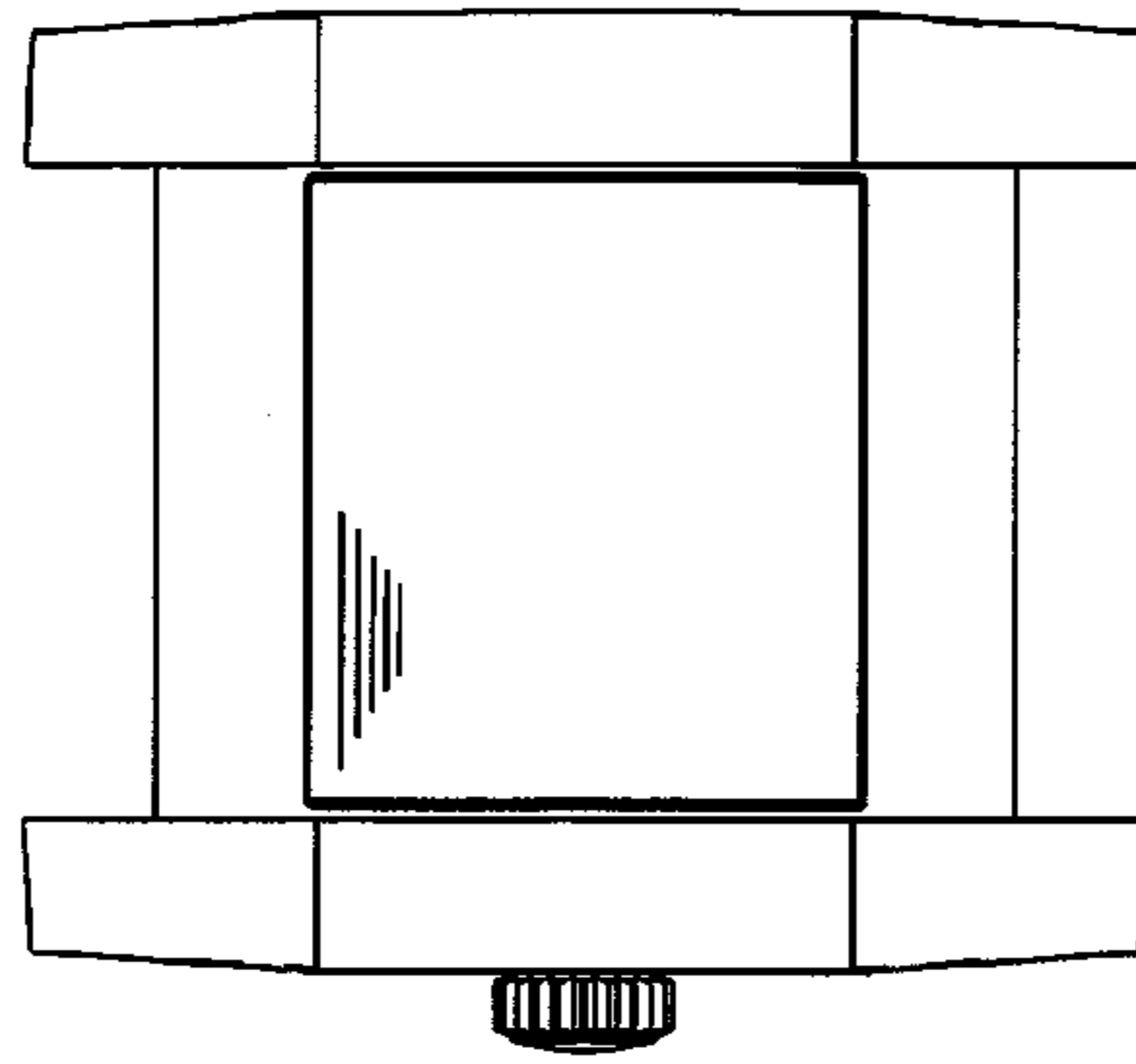


Fig. 3

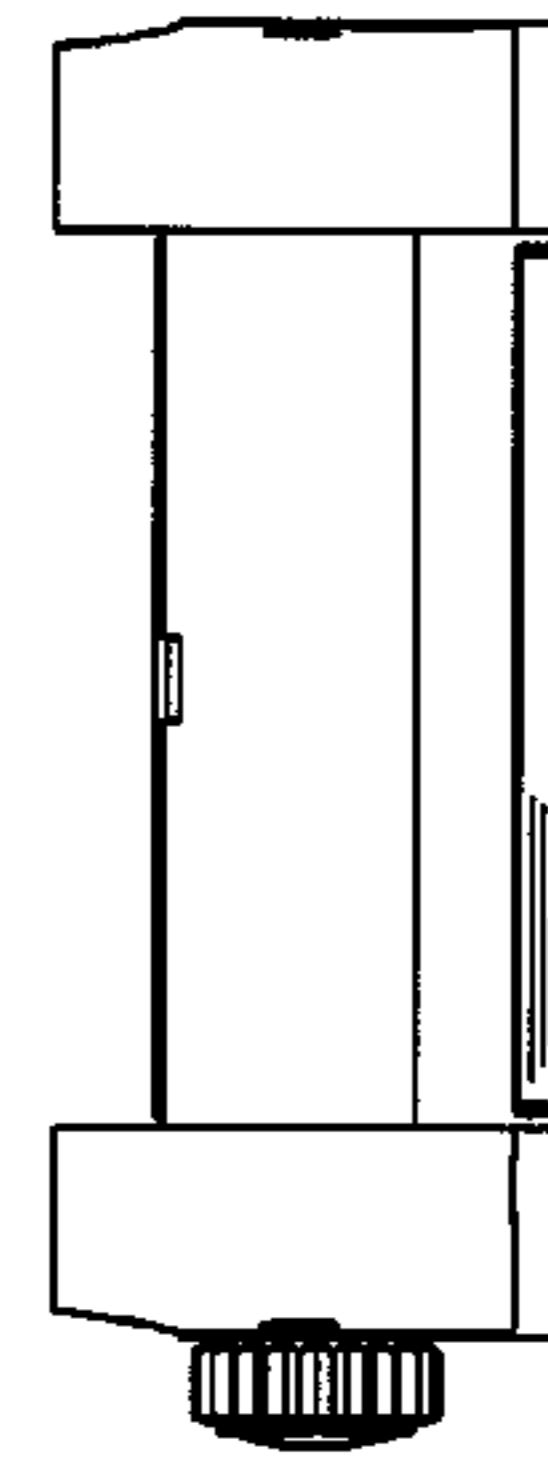


Fig. 7

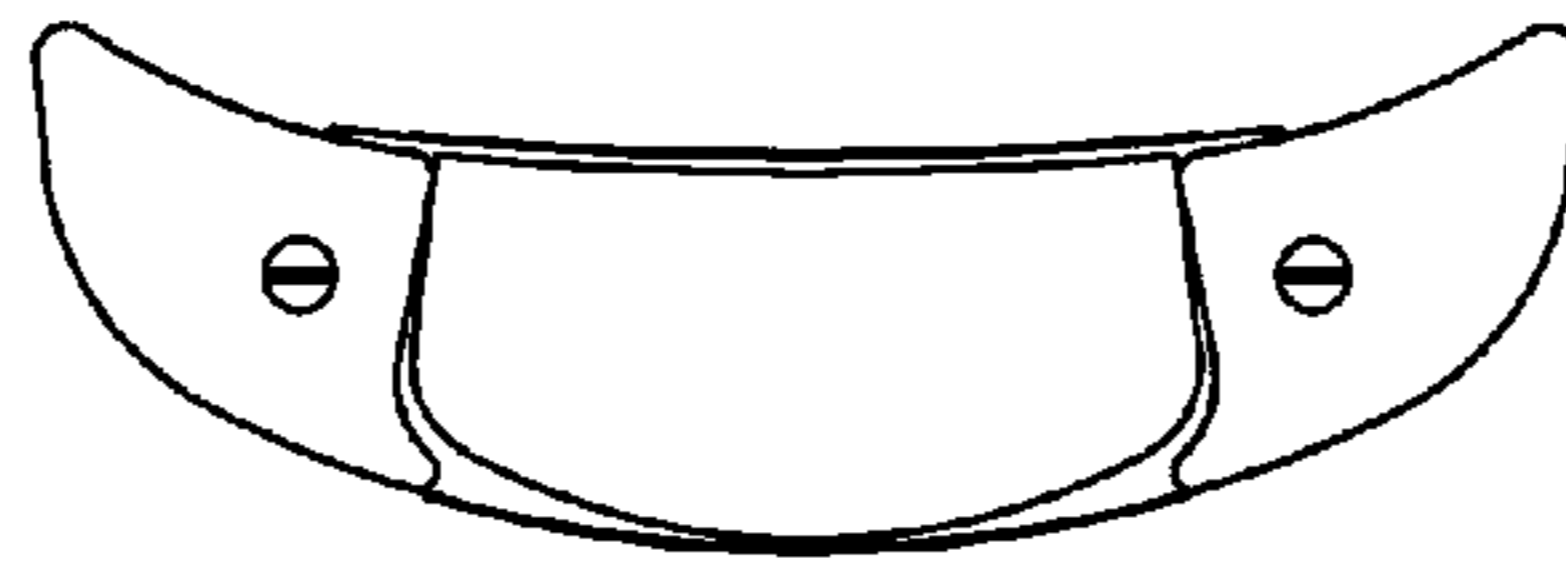
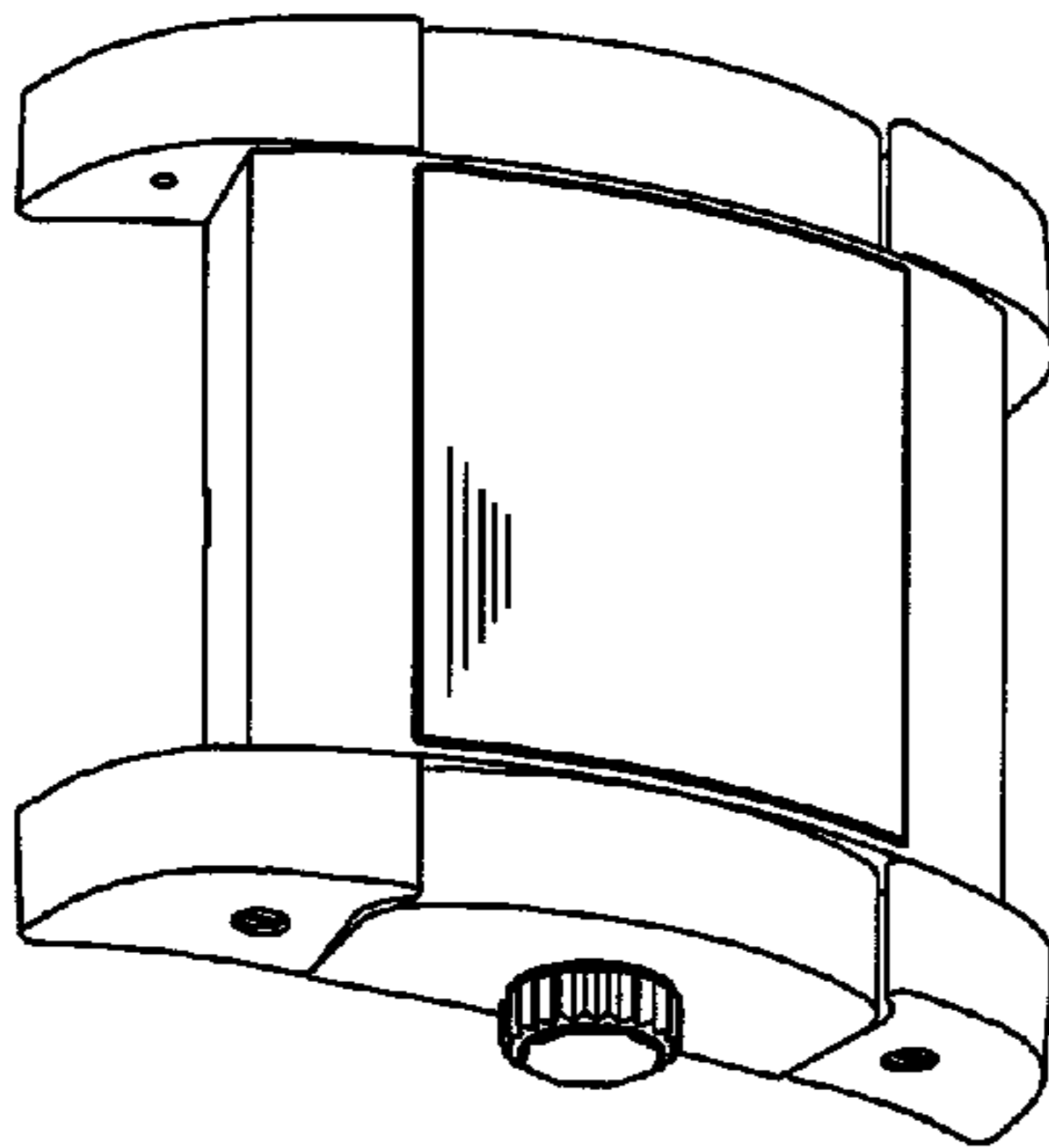


Fig. 4

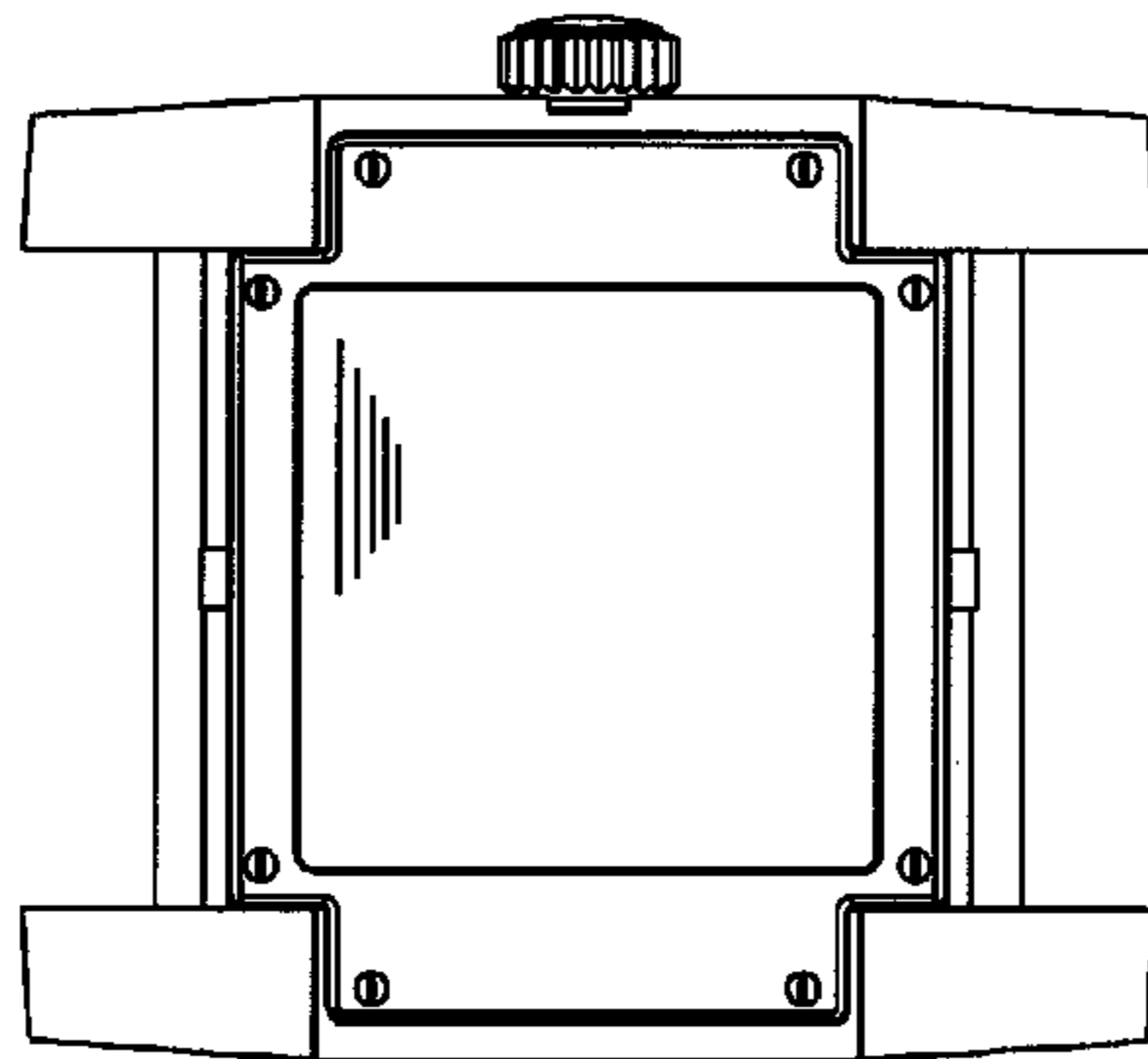


Fig. 5

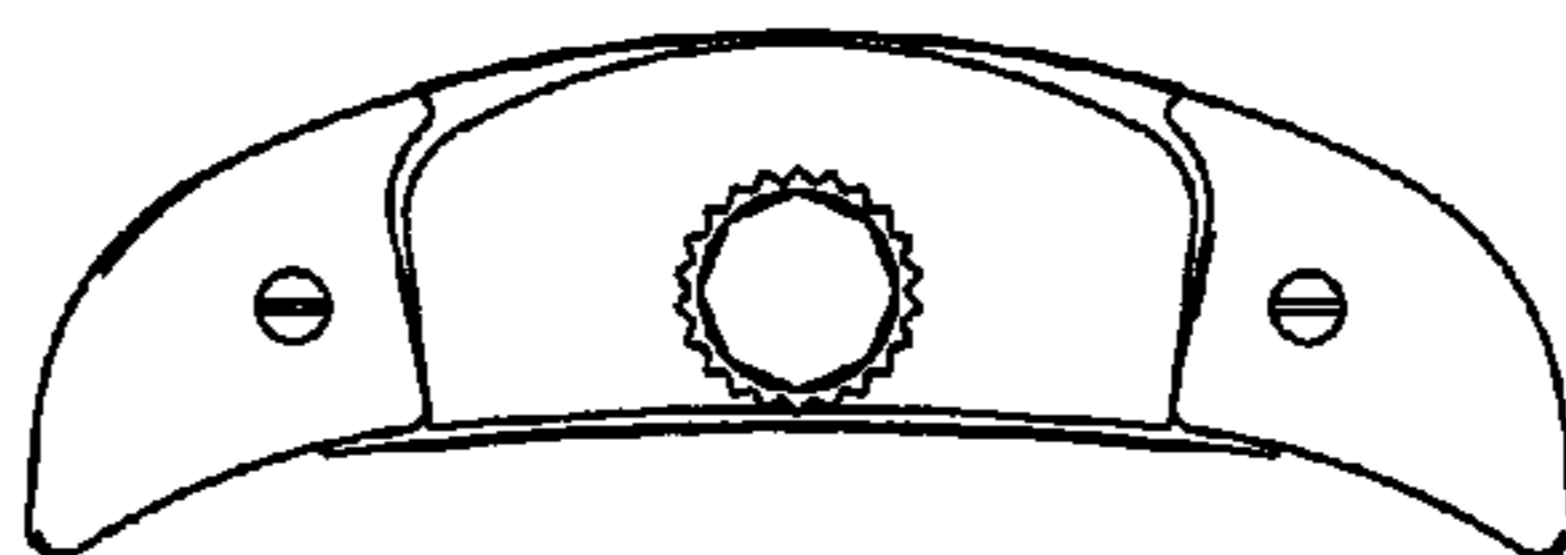


Fig. 6