

US00D596046S

(12) **United States Design Patent**
van Deursen

(10) **Patent No.:** **US D596,046 S**

(45) **Date of Patent:** **** Jul. 14, 2009**

(54) **BLADE DISPENSER**

(75) Inventor: **Gary E. van Deursen**, Essex, CT (US)

(73) Assignee: **American Safety Razor**, Verona, VA (US)

(**) Term: **14 Years**

(21) Appl. No.: **29/290,908**

(22) Filed: **Jan. 29, 2008**

(51) **LOC (9) Cl.** **09-01**

(52) **U.S. Cl.** **D9/735**

(58) **Field of Classification Search** D9/414,
D9/417, 420, 424, 432, 730, 735-737, 478;
D3/201, 203.1; 206/556, 800; 221/198,
221/279, 281

See application file for complete search history.

(56) **References Cited**

U.S. PATENT DOCUMENTS

2,889,076	A	6/1959	Van Schie	
D187,389	S	3/1960	Becker	
3,115,991	A	12/1963	Carew et al.	
3,542,245	A	11/1970	Braginetz	
3,767,083	A	10/1973	Webb	
D252,558	S *	8/1979	Beck	D9/418
4,316,554	A	2/1982	Lloyd	
4,379,514	A	4/1983	Joffe	
4,789,080	A	12/1988	Iten	
4,826,042	A	5/1989	Vujovich	
D403,954	S *	1/1999	Okada et al.	D9/735
D407,972	S *	4/1999	Hilton	D9/422
D433,940	S *	11/2000	Lindsay et al.	D9/424
6,158,616	A	12/2000	Huang	
6,382,460	B1	5/2002	Gonzalez	
D474,402	S *	5/2003	Baerenwald	D9/420
6,598,761	B1	7/2003	Chou	
6,796,455	B2	9/2004	Schmidt	

D522,855	S *	6/2006	Liebe et al.	D9/426
D527,995	S *	9/2006	Tanner	D9/424
D546,671	S *	7/2007	Cronin et al.	D9/420
D561,047	S *	2/2008	Shields	D9/730
2002/0162849	A1	11/2002	Chen	
2004/0099682	A1	5/2004	Huang	
2004/0178214	A1	9/2004	Wei	
2007/0034640	A1	2/2007	Casale	

FOREIGN PATENT DOCUMENTS

DE	41 17 356	A1	12/1992
FR	2 723 725		2/1996

* cited by examiner

Primary Examiner—Stella M. Reid

Assistant Examiner—Shanda C Hill

(74) *Attorney, Agent, or Firm*—McDermott Will & Emery LLP

(57) **CLAIM**

The ornamental design for a blade dispenser, as shown and described.

DESCRIPTION

FIG. 1 is a front perspective view of the blade dispenser, showing the new design;

FIG. 2 is a front view of the blade dispenser;

FIG. 3 is a rear view of the blade dispenser;

FIG. 4 is a side view of the blade dispenser;

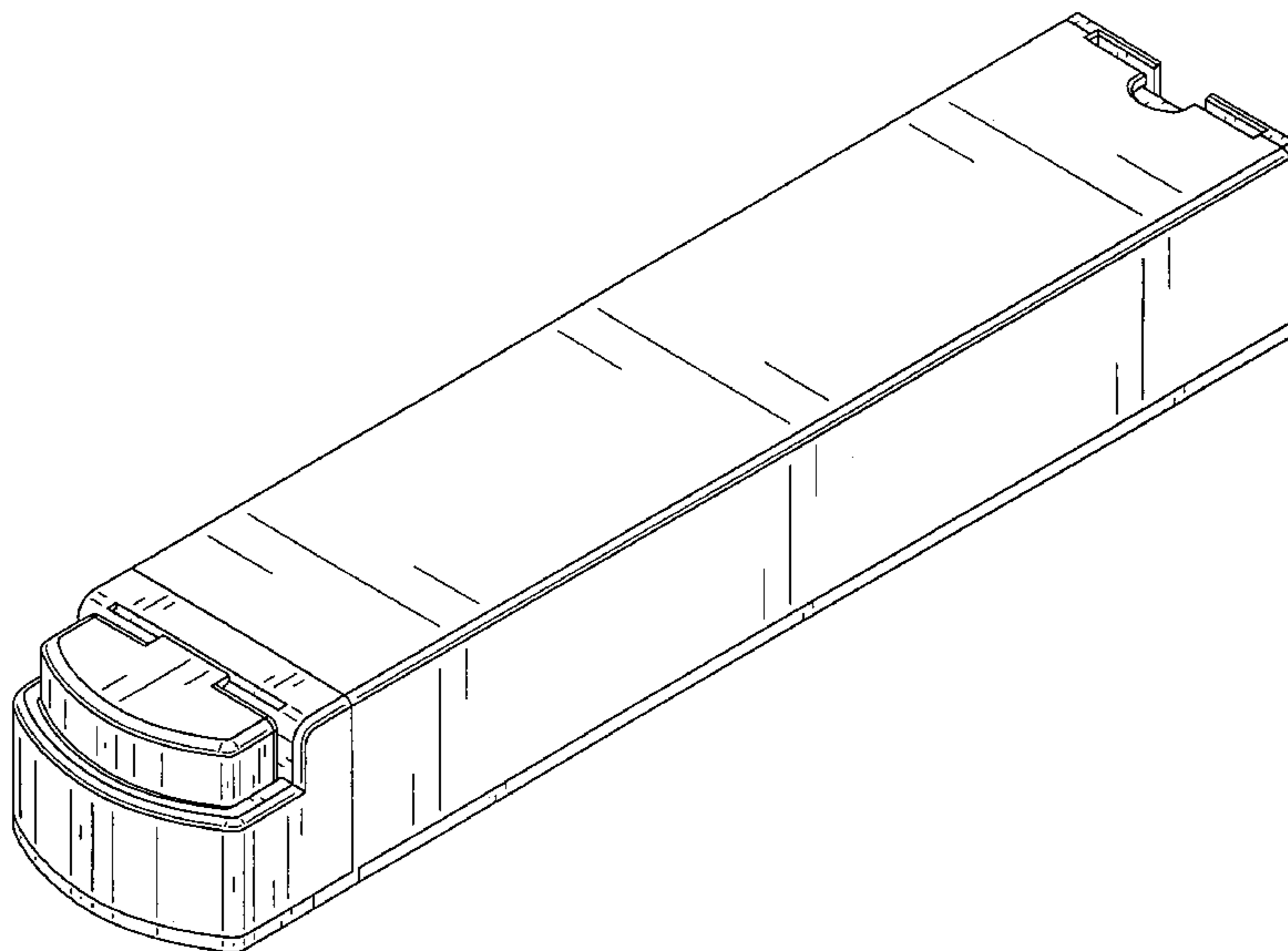
FIG. 5 is another side view of the blade dispenser;

FIG. 6 is a top view of the blade dispenser; and,

FIG. 7 is a bottom view of the blade dispenser.

The broken lines shown in the drawing disclosure are for illustrative purposes only and form no part of the claimed design.

1 Claim, 7 Drawing Sheets



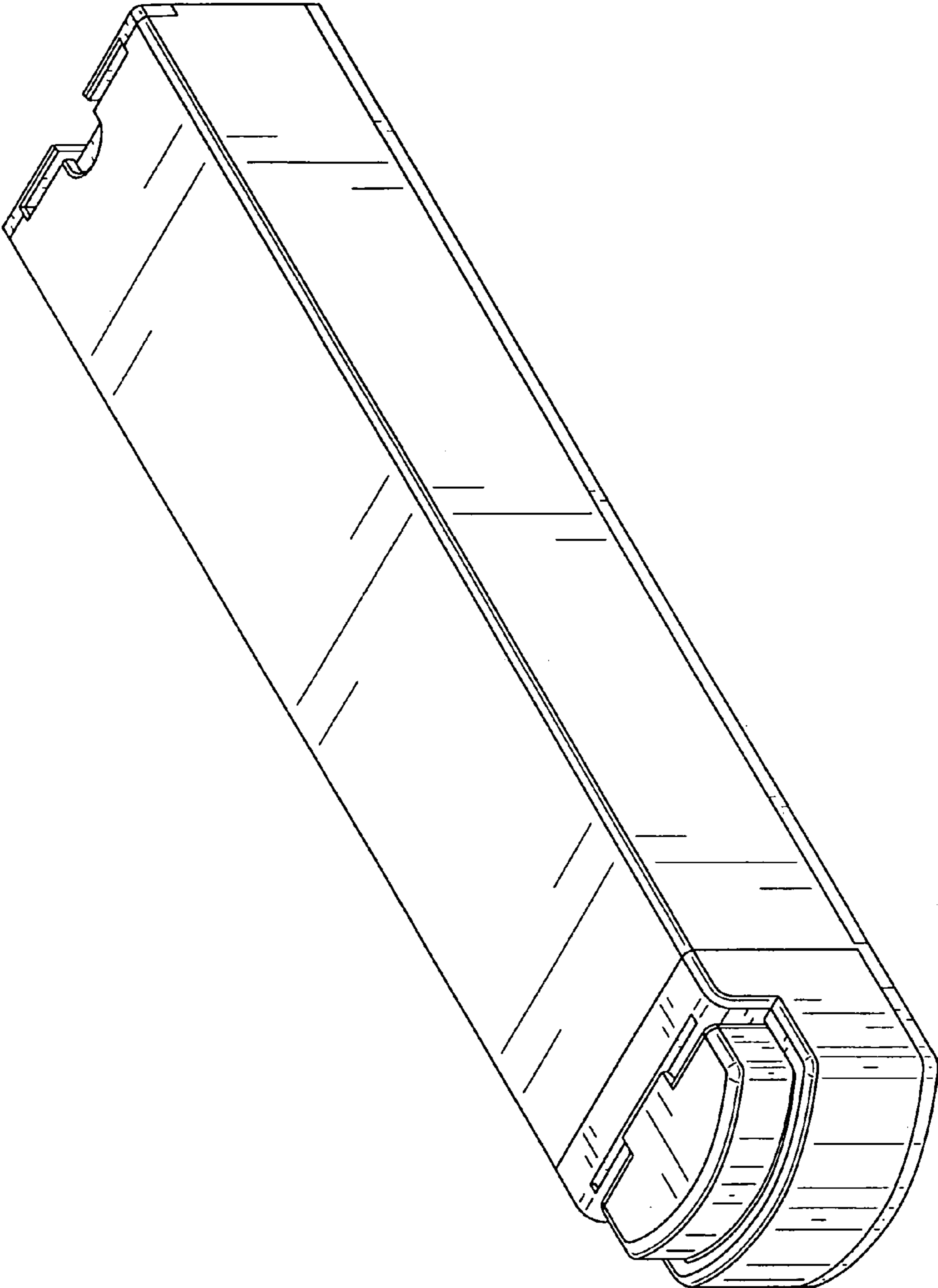


FIG. 1

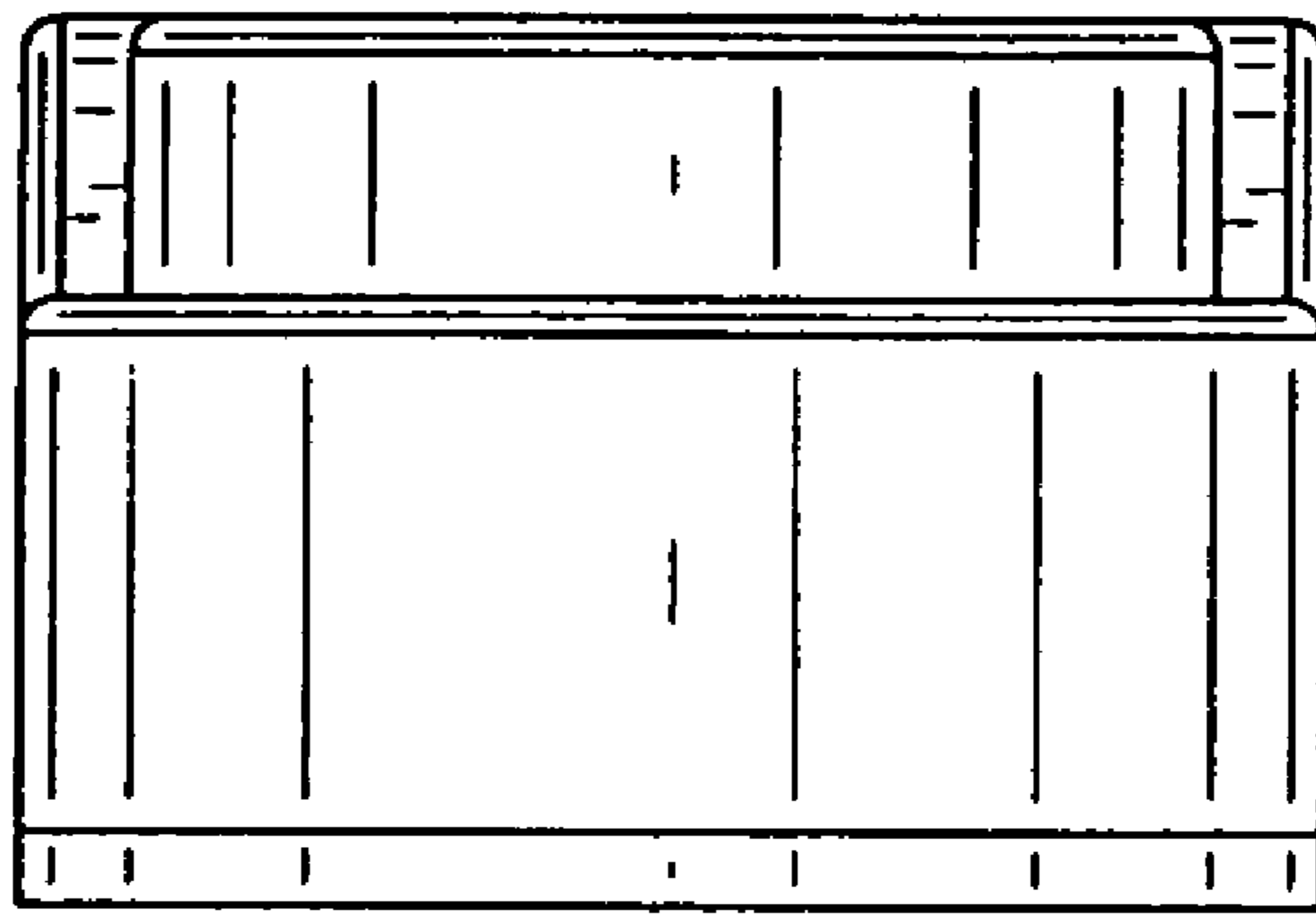


FIG. 2

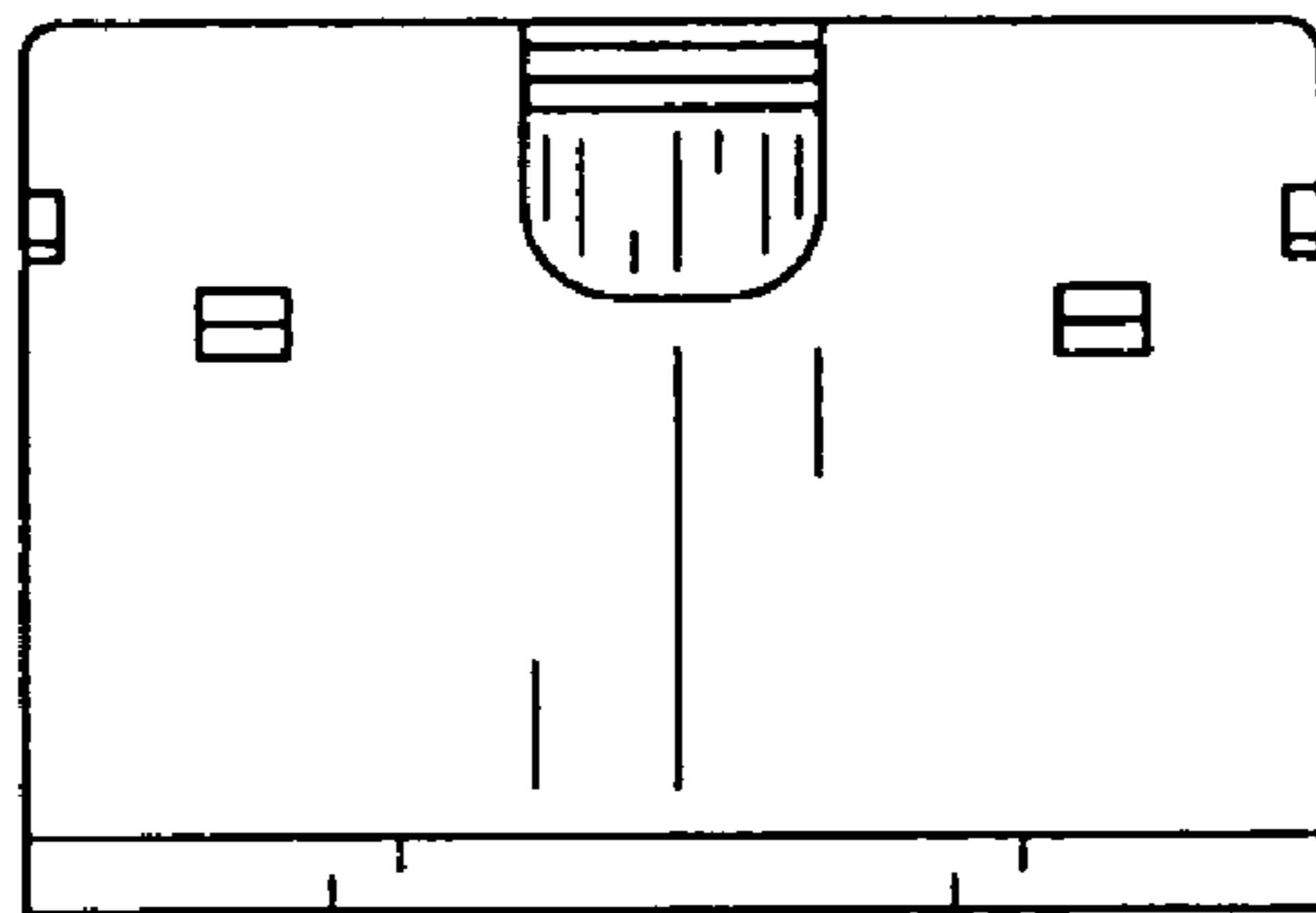


FIG. 3

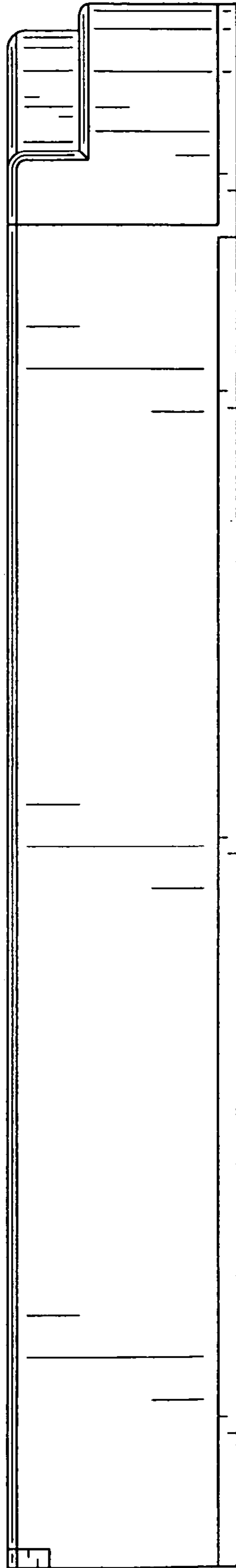


FIG. 4

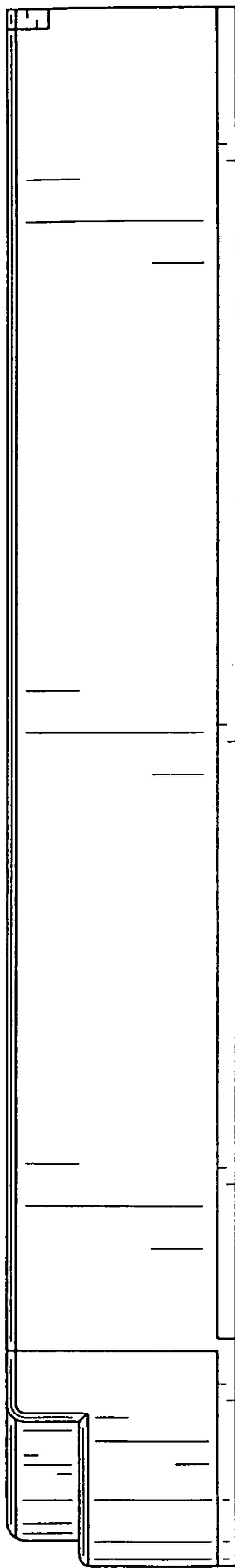


FIG. 5

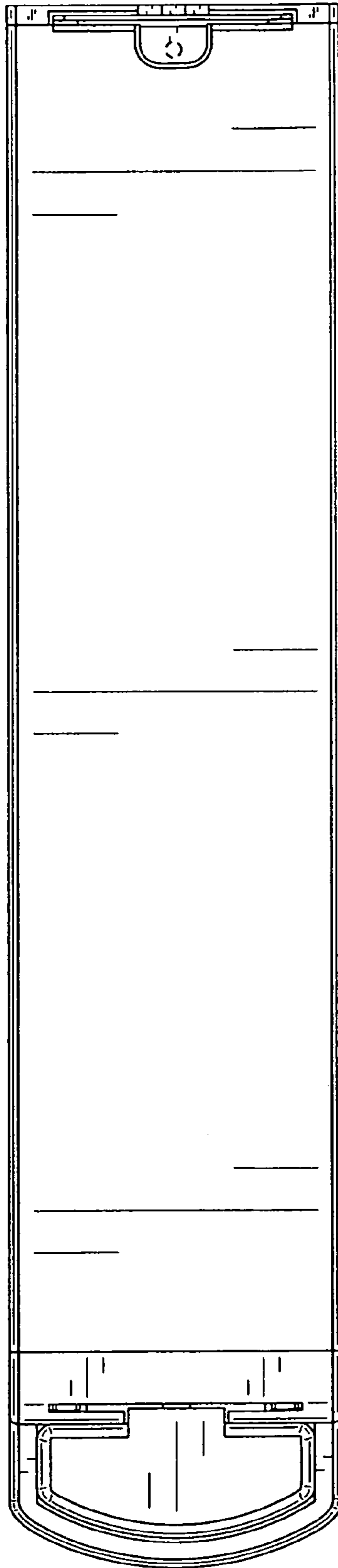


FIG. 6

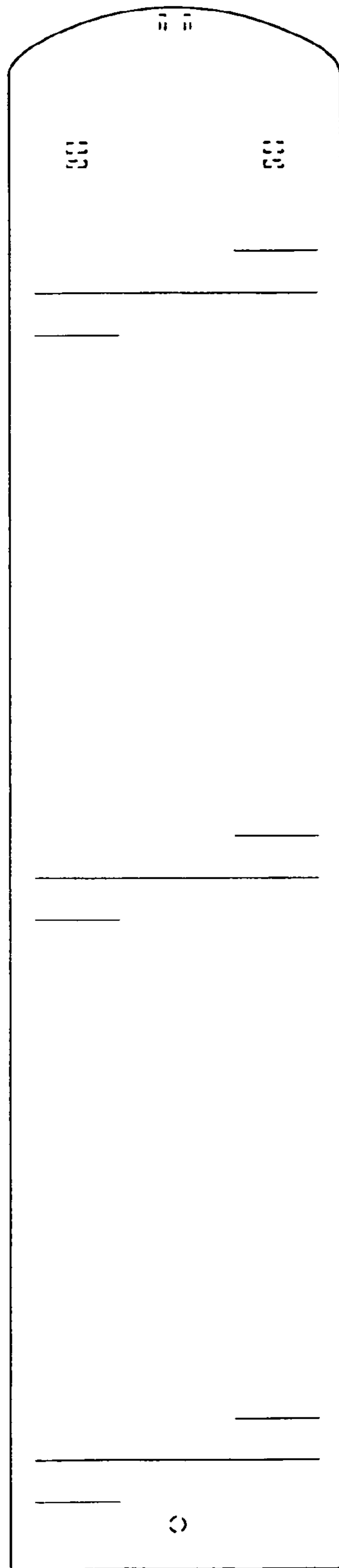


FIG. 7