



US00D596044S

(12) **United States Design Patent**
Goldman et al.

(10) **Patent No.:** **US D596,044 S**

(45) **Date of Patent:** **** Jul. 14, 2009**

(54) **LINT REMOVER AND PACKAGE**

(76) Inventors: **John Goldman**, P.O. Box 56523, Little Rock, AR (US) 72215; **Chad Collins**, P.O. Box 56523, Little Rock, AR (US) 72215

(**) Term: **14 Years**

(21) Appl. No.: **29/277,643**

(22) Filed: **Mar. 5, 2007**

(51) **LOC (9) Cl.** **09-01**

(52) **U.S. Cl.** **D9/734**

(58) **Field of Classification Search** D9/733-736, D9/433, 722, 414, 415, 420, 457, 715, 732; D19/26, 65, 75, 86, 88, 90, 91; D28/9, 12; 206/447, 449; 15/104.002; 428/40.1, 136, 428/43; 281/15.1, 16, 23, 44; 283/45
See application file for complete search history.

(56) **References Cited**

U.S. PATENT DOCUMENTS

1,459,711	A *	6/1923	Banks	43/116
D99,905	S *	6/1936	Sweeney	D9/415
2,724,847	A *	11/1955	Krasno	15/104.002
3,082,453	A *	3/1963	Mutchler et al.	15/104.002
3,785,930	A *	1/1974	Ellis	435/287.8
3,906,578	A *	9/1975	Huber	15/104.002
D255,781	S *	7/1980	Roccaforte	D9/433
D255,991	S *	7/1980	Roccaforte	D9/433
4,713,274	A *	12/1987	Minor	428/40.1
4,820,558	A *	4/1989	Sundberg	428/34.3
5,894,623	A *	4/1999	Thill	15/104.002
5,922,427	A *	7/1999	King	428/40.1
D466,011	S *	11/2002	Garcia	D9/416
D470,762	S *	2/2003	Garcia	D9/416
D470,763	S *	2/2003	Garcia	D9/416
D555,511	S *	11/2007	Warmka et al.	D9/722
7,470,399	B2 *	12/2008	Oommen	422/61

2007/0136966 A1 * 6/2007 Aubourg et al. 15/104.002
2008/0196186 A1 * 8/2008 Vidmar et al. 15/104.002

* cited by examiner

Primary Examiner—Ian Simmons

Assistant Examiner—Mark A Goodwin

(74) *Attorney, Agent, or Firm*—QuickPatents, Inc.; Kevin Prince

(57) **CLAIM**

We claim the ornamental design for a lint remover and package, as shown and described.

DESCRIPTION

FIG. 1 is a perspective view of a lint remover and package, showing our new design in a folded configuration;

FIG. 2 is a rear elevational view of the invention in the folded configuration;

FIG. 3 is a front elevational view of the invention in the folded configuration;

FIG. 4 is a left-side elevational view of the invention in the folded configuration, the right-side elevational view being a mirror image thereof;

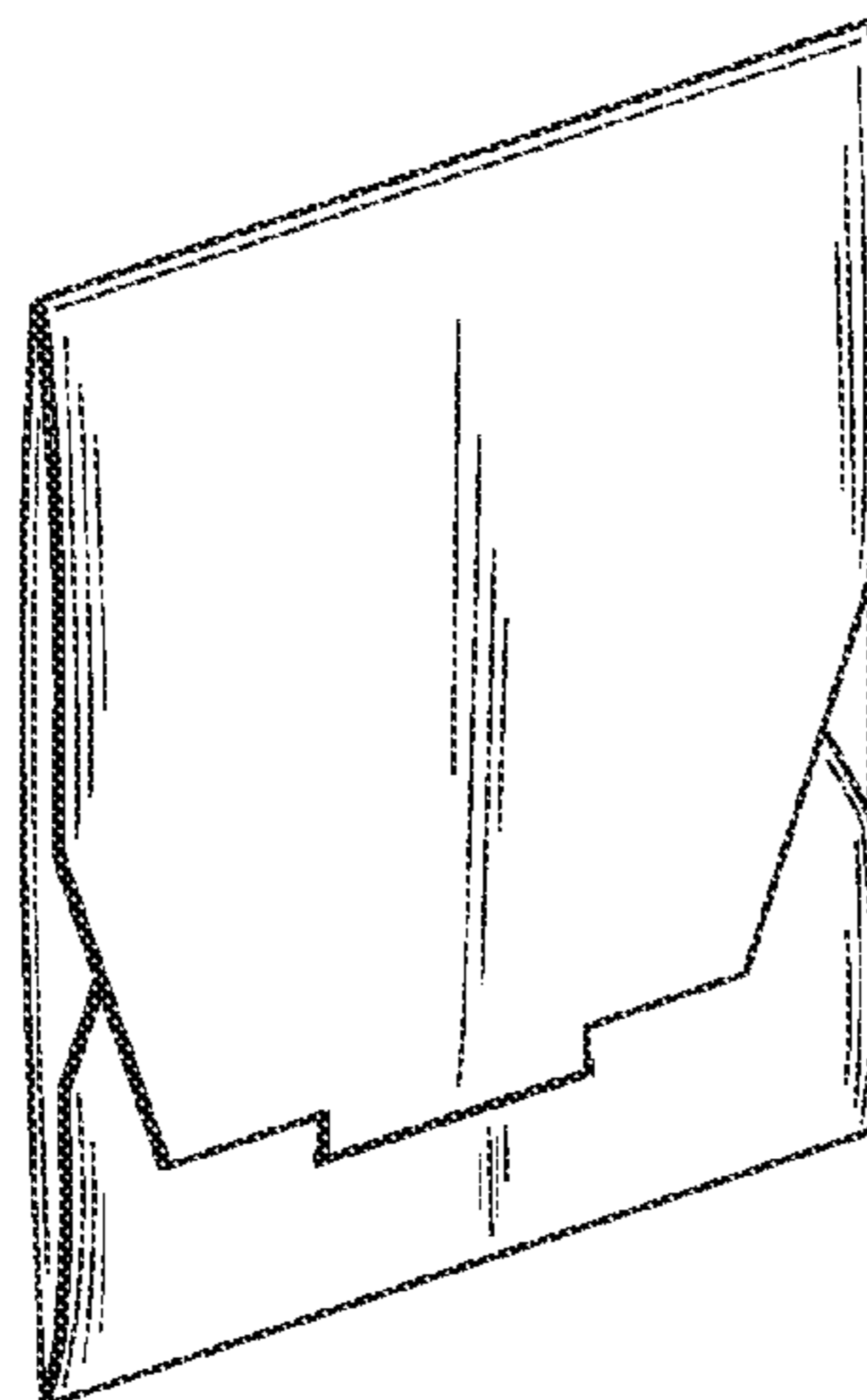
FIG. 5 is a top plan view of the invention in the folded configuration, the bottom plan view being a mirror image thereof;

FIG. 6 is a rear elevational view of the invention in an unfolded configuration, illustrating lint remover labels contained within the package; and,

FIG. 7 is an exploded rear elevational view of the invention in the unfolded configuration, illustrating the lint remover labels exploded away from the package.

The broken lines showing a logo in FIGS. 6 and 7 are included for the purpose of illustrating a logo as printed on the lint remover labels, and forms no part of the claimed design. The broken lines showing three underlying lint remover labels are illustrated for the purpose of showing the design in use, and form no part of the claimed design.

1 Claim, 2 Drawing Sheets



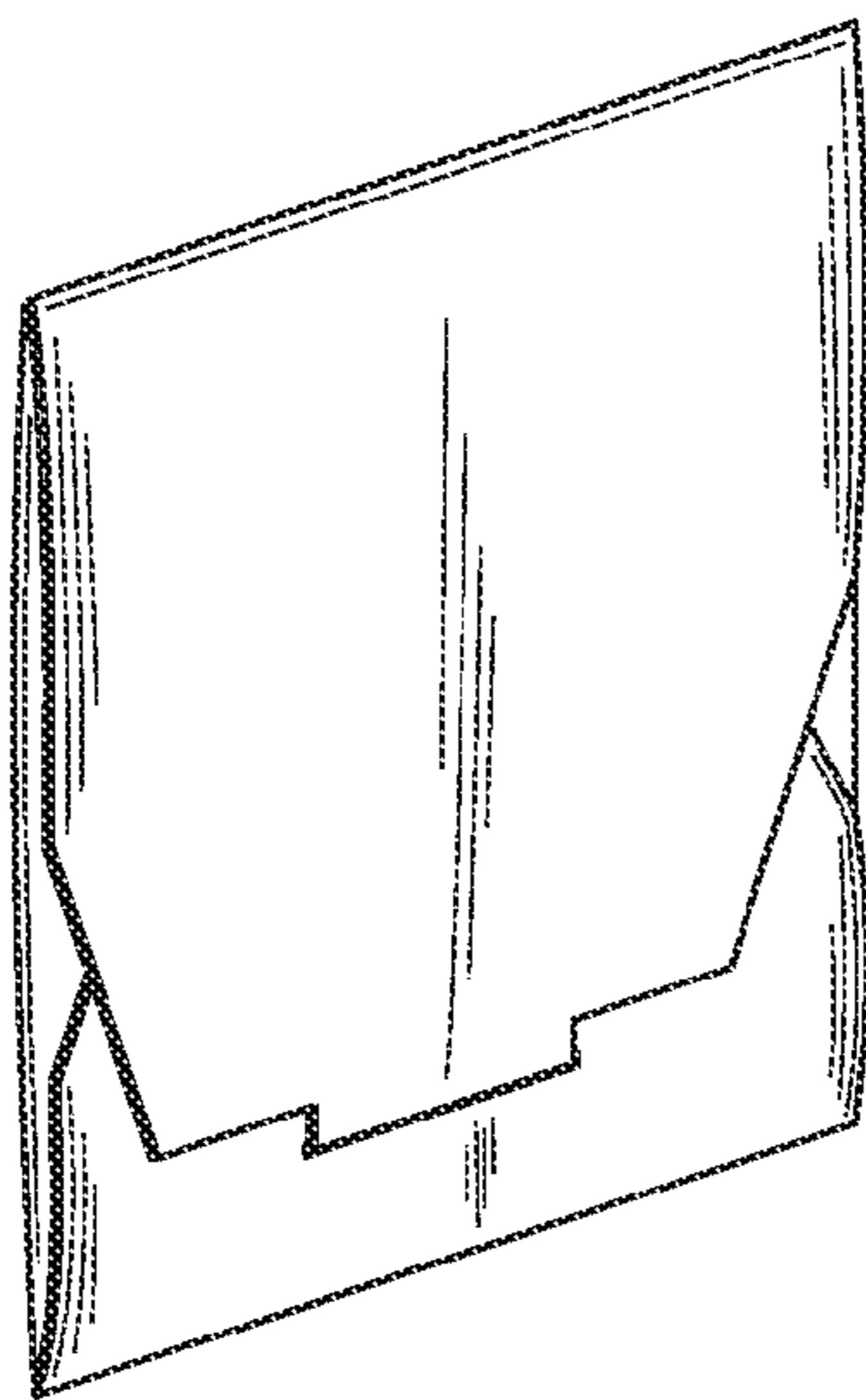


FIG. 1

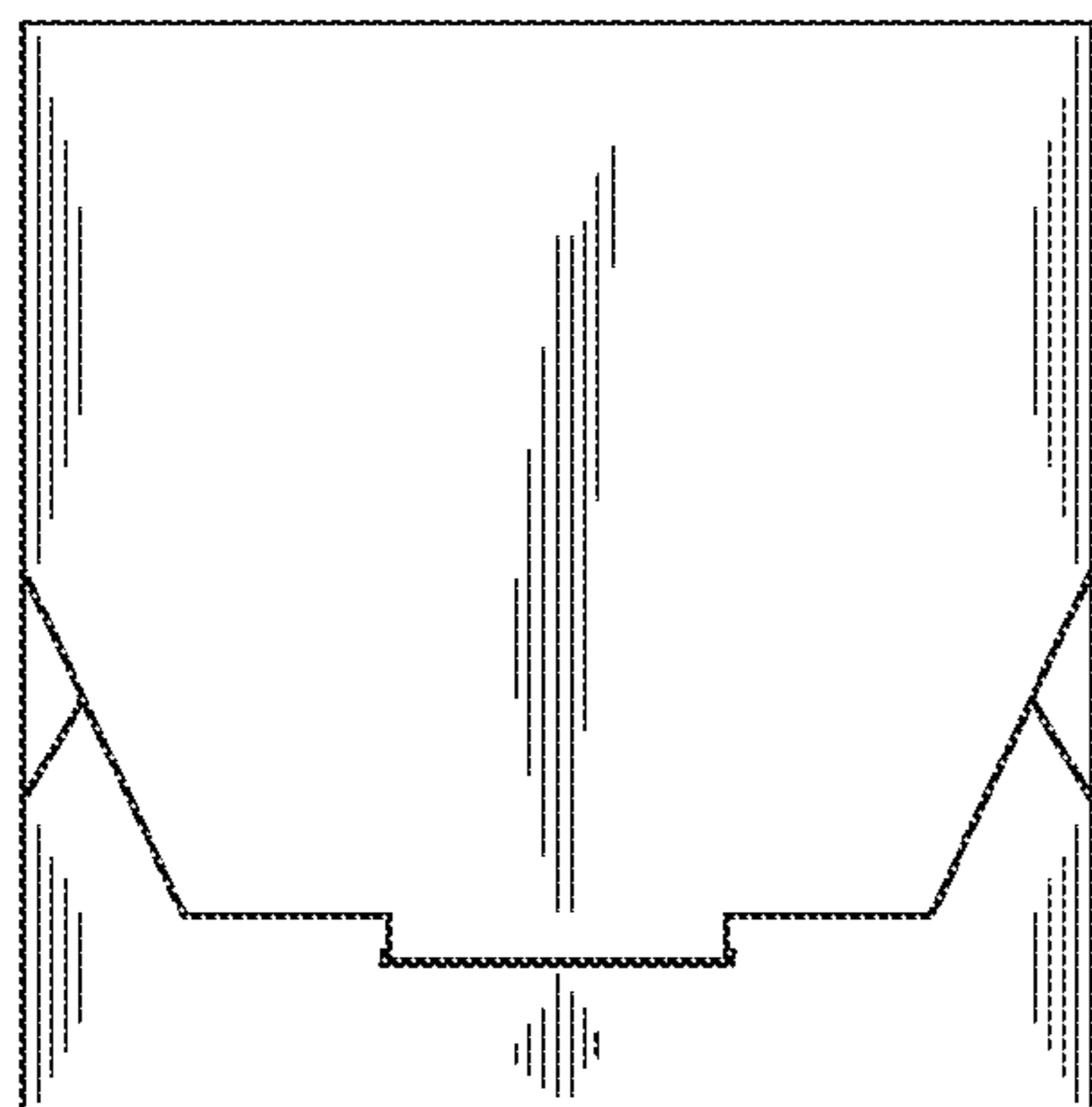


FIG. 2

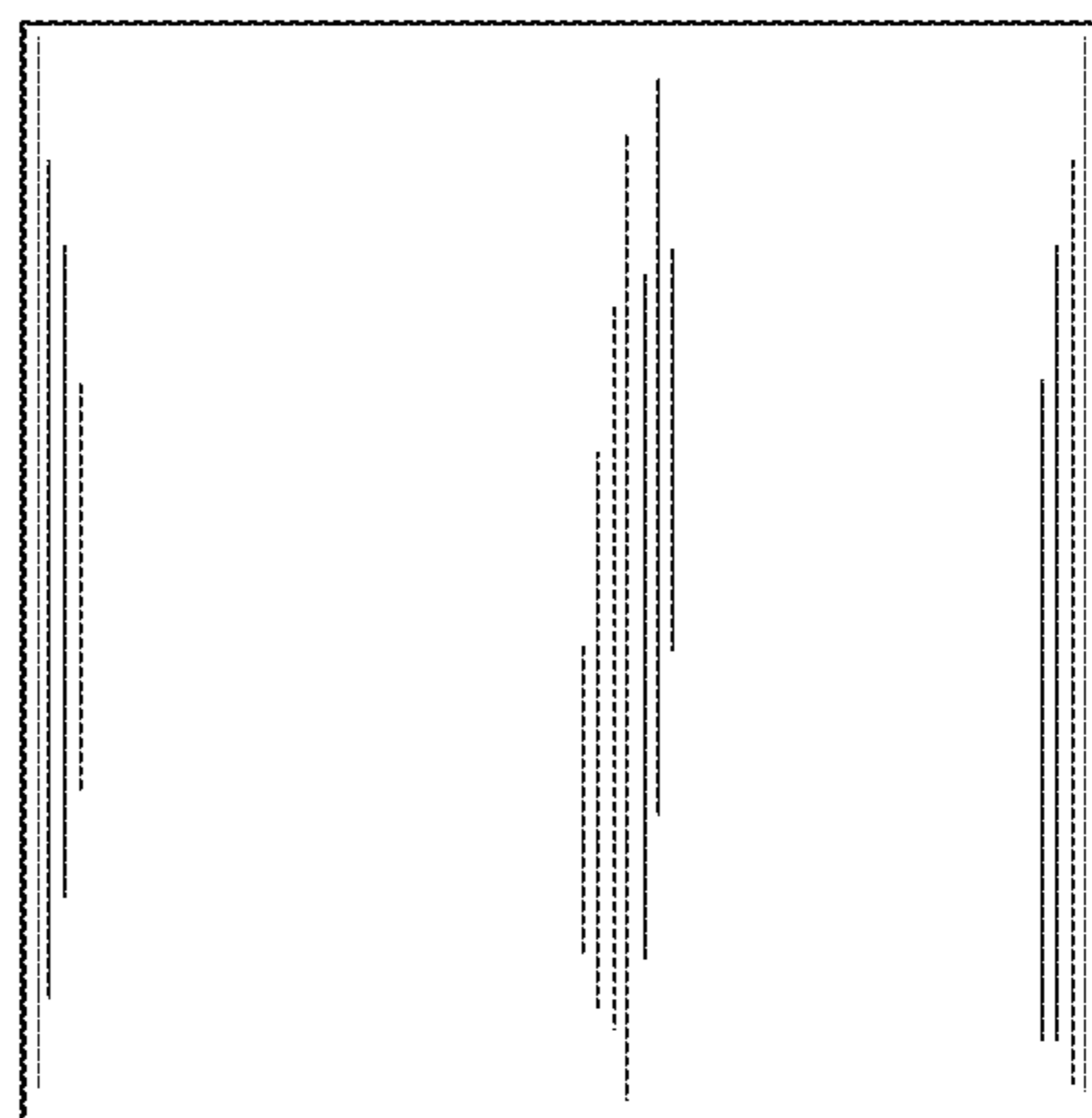


FIG. 3



FIG. 4



FIG. 5

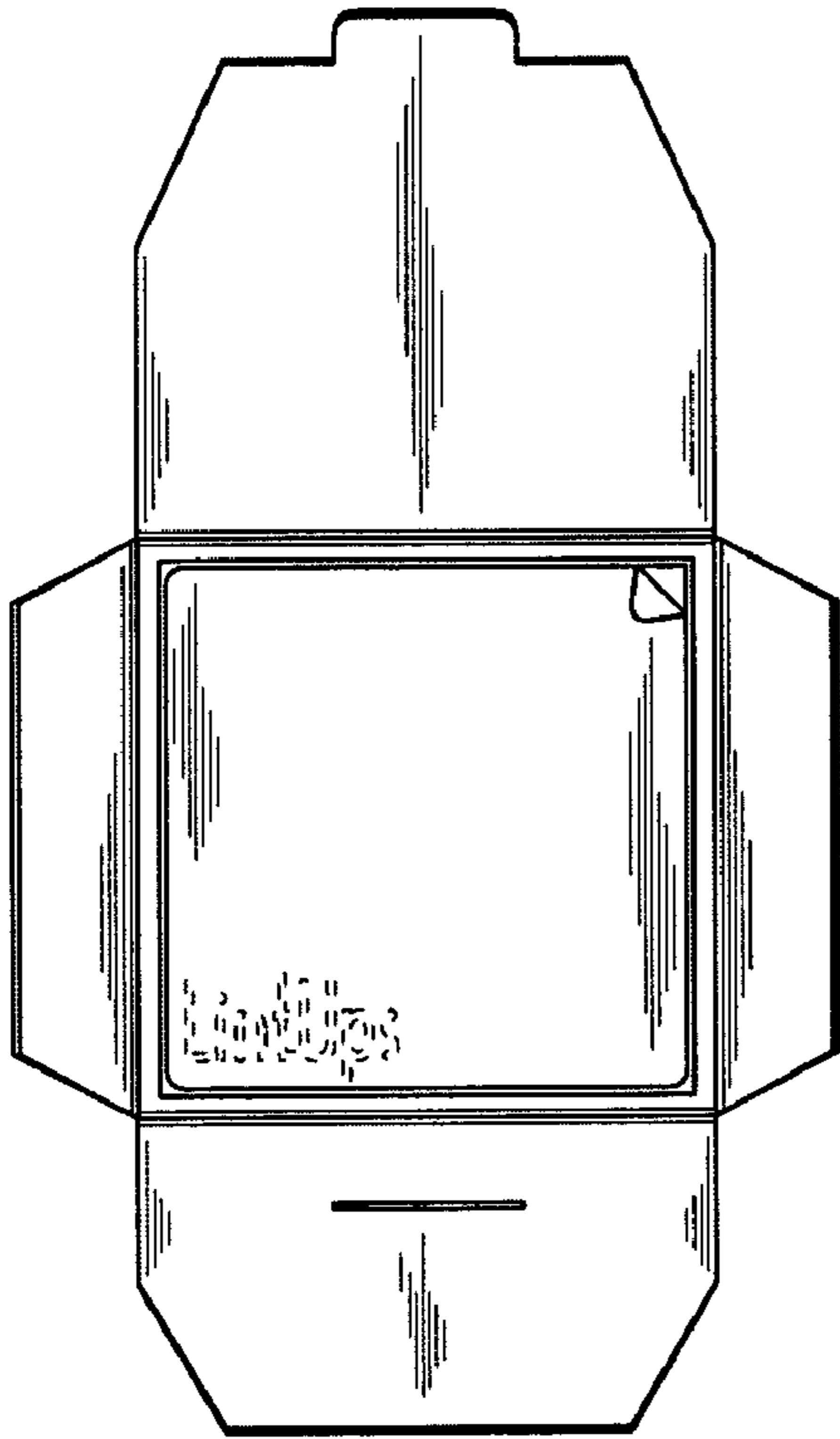


FIG. 6

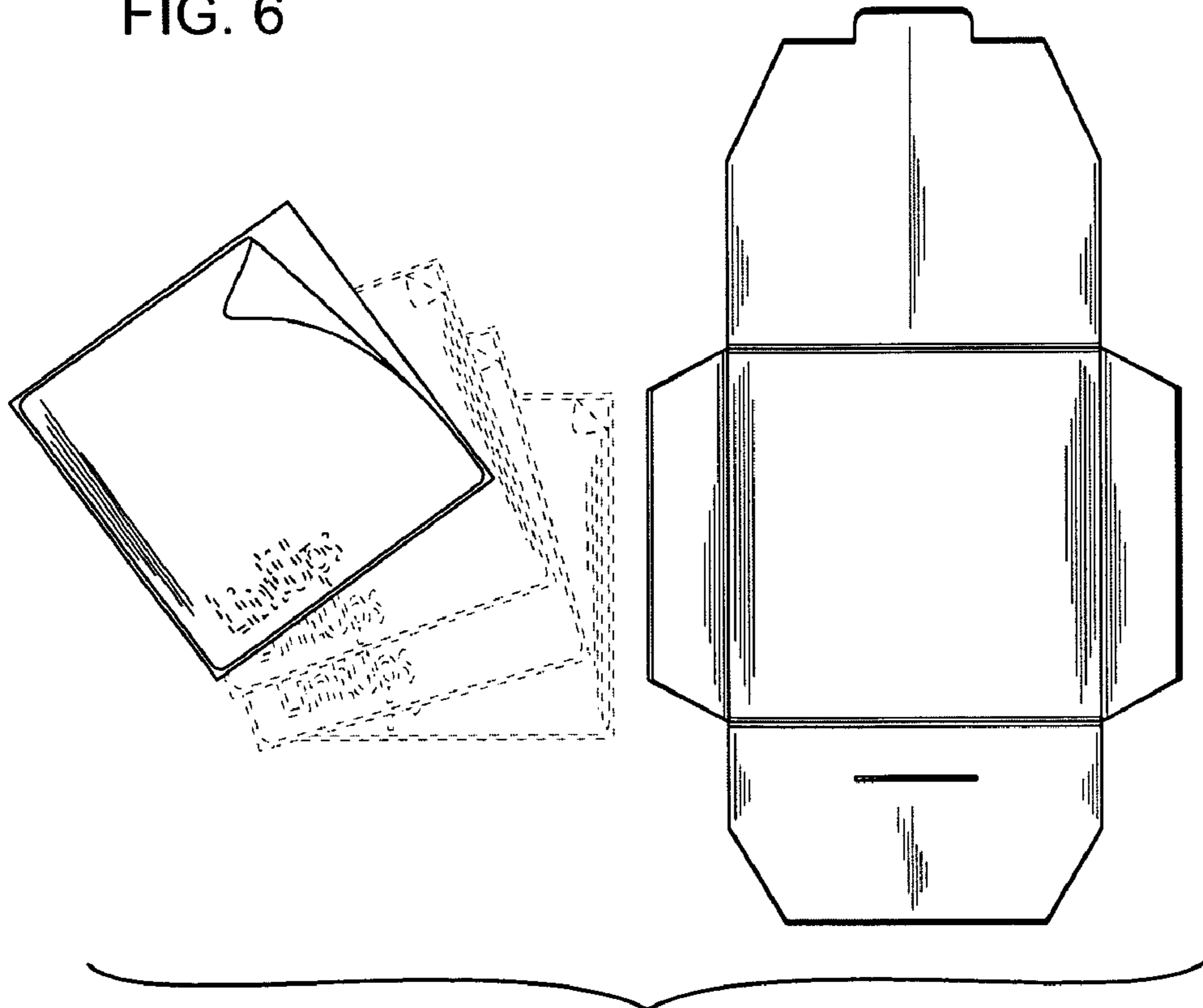


FIG. 7