

US00D596042S

(12) **United States Design Patent**
Chen

(10) **Patent No.:** **US D596,042 S**
(45) **Date of Patent:** **** Jul. 14, 2009**

(54) **LOTION BOTTLE**

(76) Inventor: **Yi-Chuan Chen**, 1F., No. 32, Lane 92,
Yang Kuang St., Taipei City (TW)

(**) Term: **14 Years**

(21) Appl. No.: **29/329,868**

(22) Filed: **Dec. 23, 2008**

(51) **LOC (9) Cl.** **09-01**

(52) **U.S. Cl.** **D9/690**

(58) **Field of Classification Search** D9/682-694,
D9/516-575, 600-681, 434-436, 447-450;
D6/542; 215/379, 382, 383, 384; 220/662,
220/665, 669, 670, 671, 675; 222/129, 135,
222/153.01, 153.03, 153.04, 153.09, 153.11-153.14,
222/631, 635, 209, 211-213, 215, 321.7-321.9,
222/372, 373, 378, 379, 383.1, 384-386,
222/398, 400.7, 400.8, 401, 402.1-402.25
See application file for complete search history.

(56) **References Cited**

U.S. PATENT DOCUMENTS

D85,917 S * 1/1932 Dryden D9/529
D129,510 S * 9/1941 Lundy D9/520
D168,947 S * 3/1953 Lorenzen D9/542
3,070,257 A * 12/1962 Bojanowski 206/508
3,242,522 A * 3/1966 Jass et al. 401/213
D213,037 S * 12/1968 Pettengill D9/558
3,420,413 A * 1/1969 Corsette 222/107
3,990,611 A * 11/1976 Sojka 222/135
D245,316 S * 8/1977 McConnell D9/691

D273,366 S * 4/1984 Polenghi D9/645
D484,401 S * 12/2003 Dretzka D9/691
7,134,577 B1 * 11/2006 Verma 222/321.9
D548,087 S * 8/2007 Wolf D9/516

FOREIGN PATENT DOCUMENTS

GB DES. 2067985 * 11/1997

* cited by examiner

Primary Examiner—Catherine Tuttle

(74) *Attorney, Agent, or Firm*—Leong C. Lei

(57) **CLAIM**

The ornamental design for a lotion bottle, as shown and described.

DESCRIPTION

FIG. 1 is a perspective view of a lotion bottle showing my new design;

FIG. 2 is a front elevational view thereof;

FIG. 3 is a rear elevational view thereof;

FIG. 4 is a left side elevational view thereof;

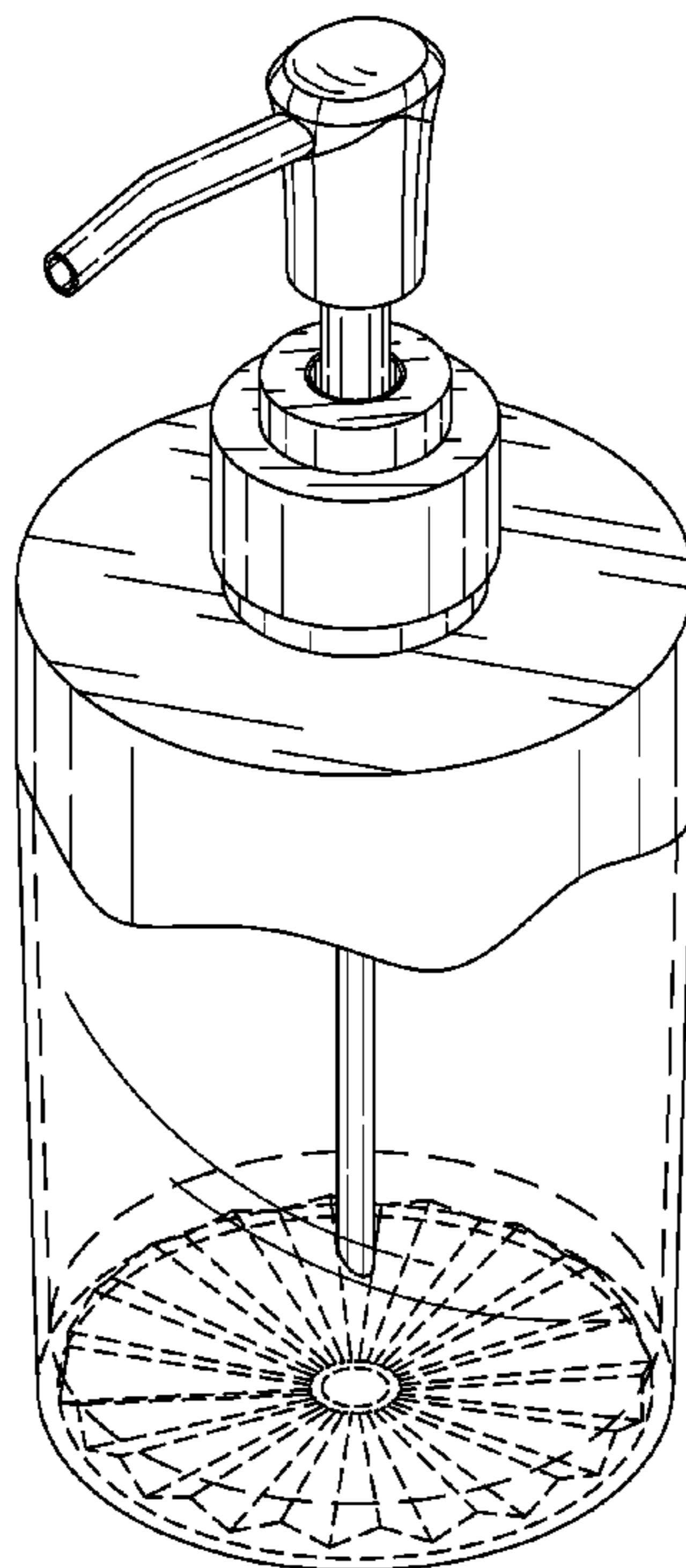
FIG. 5 is a right side elevational view thereof;

FIG. 6 is a top plan view thereof; and,

FIG. 7 is a bottom plan view thereof.

The broken lines are included for the purpose of illustrating visible interior portions of the bottle that form no part of the claimed design.

1 Claim, 7 Drawing Sheets



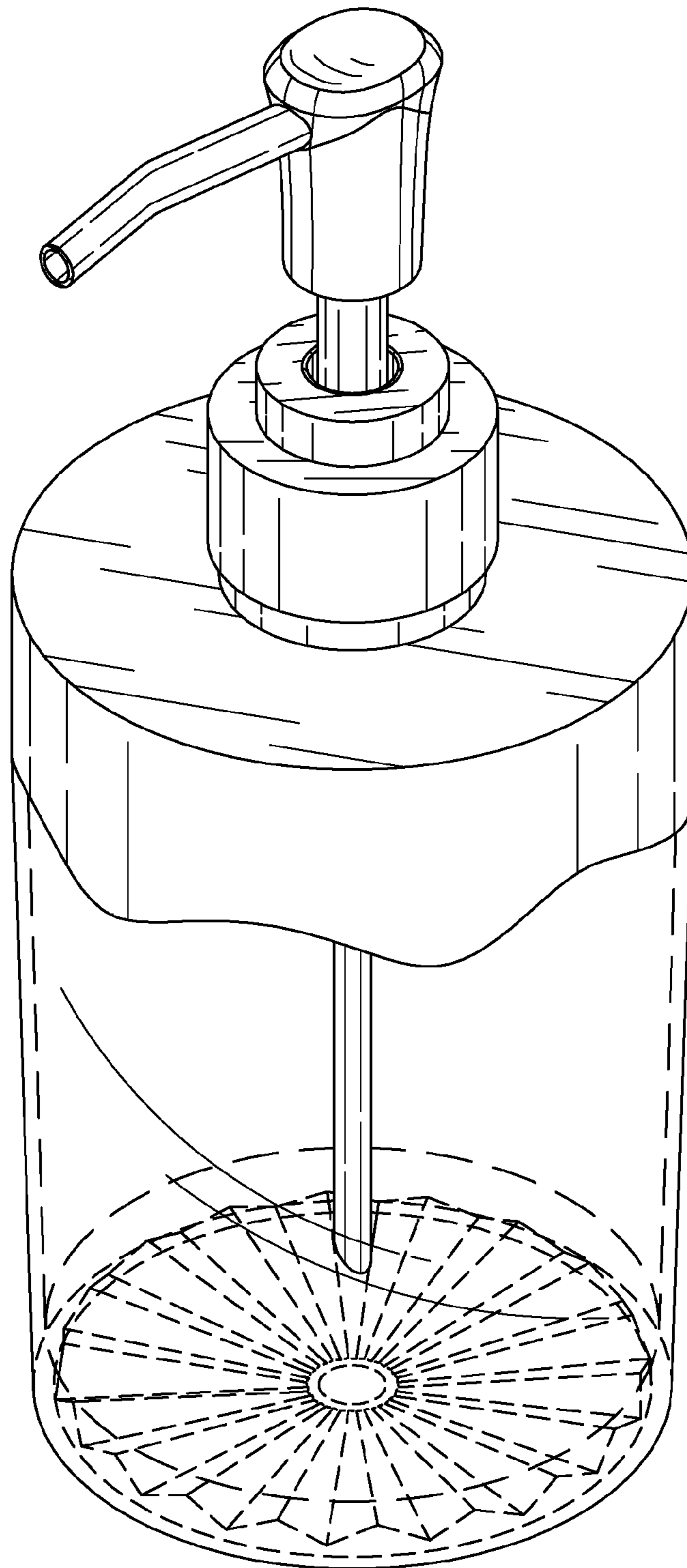


FIG. 1

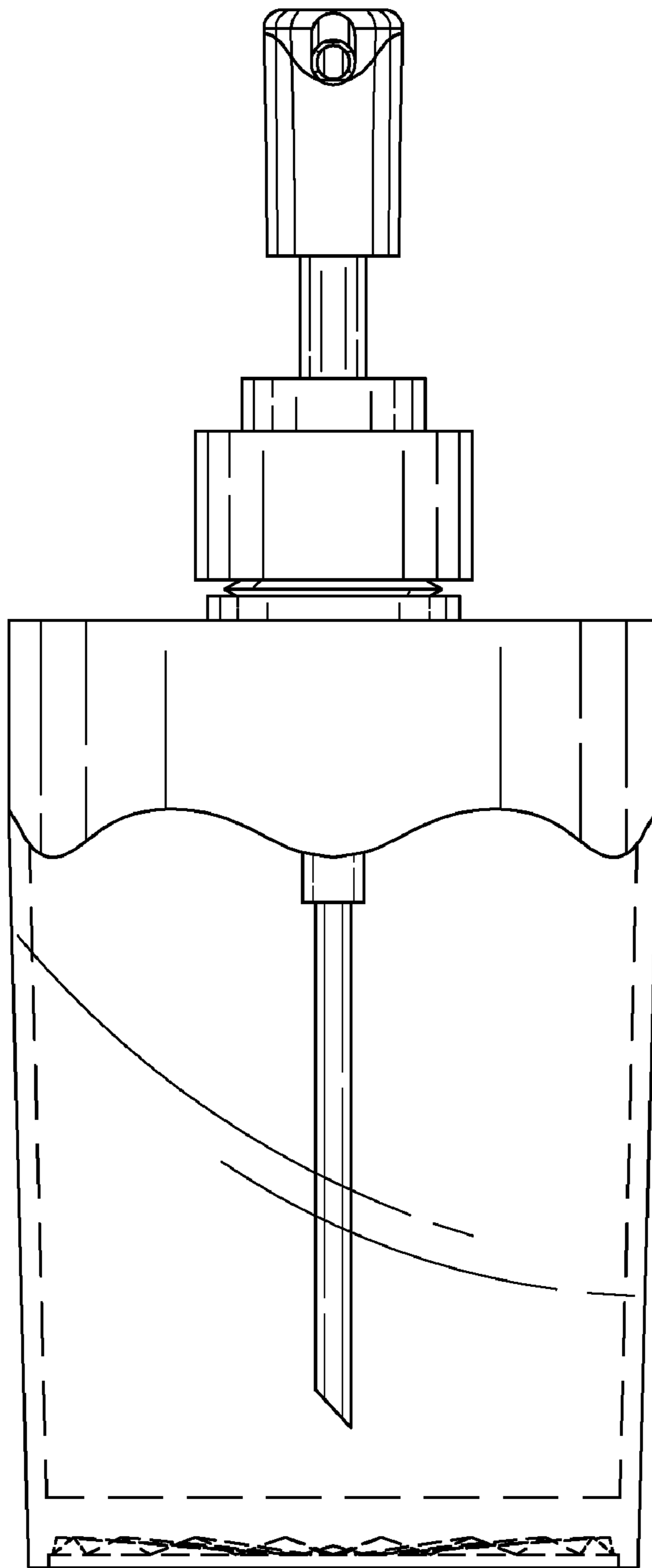


FIG. 2

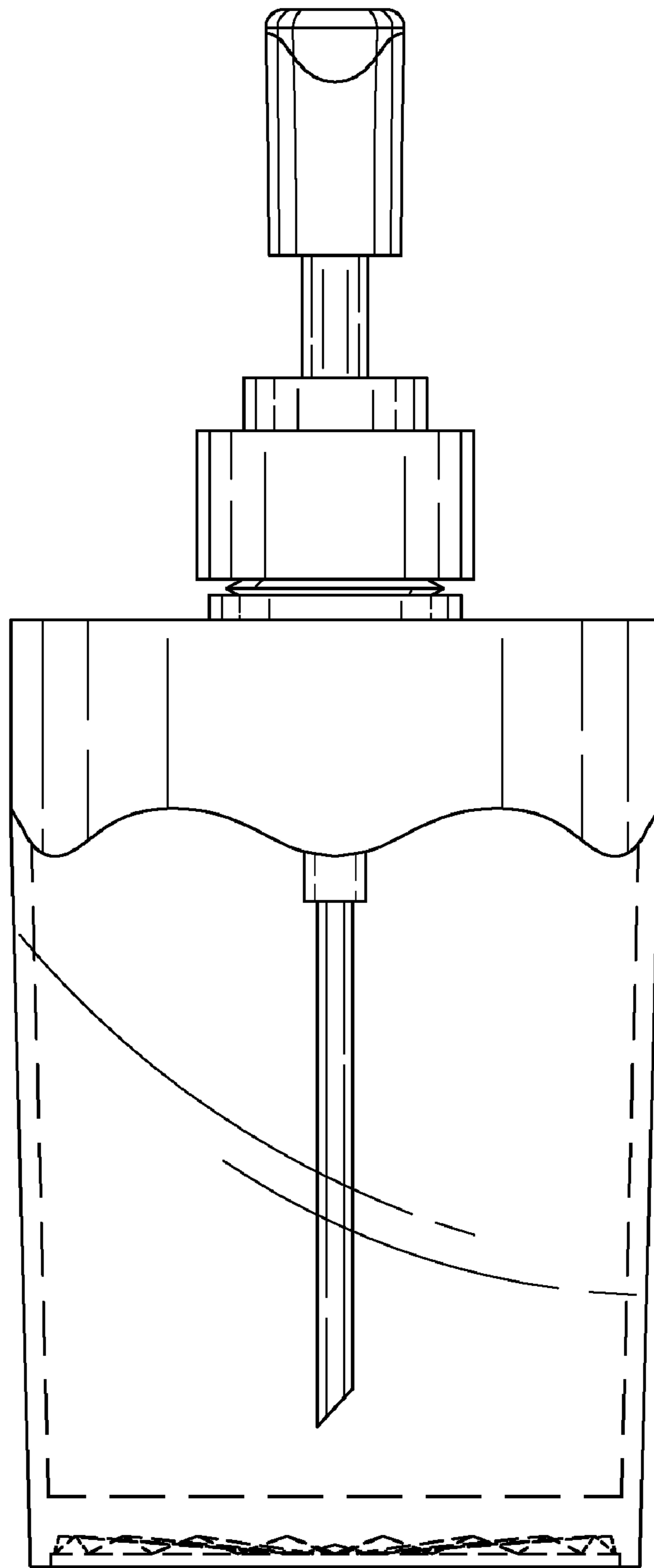


FIG. 3

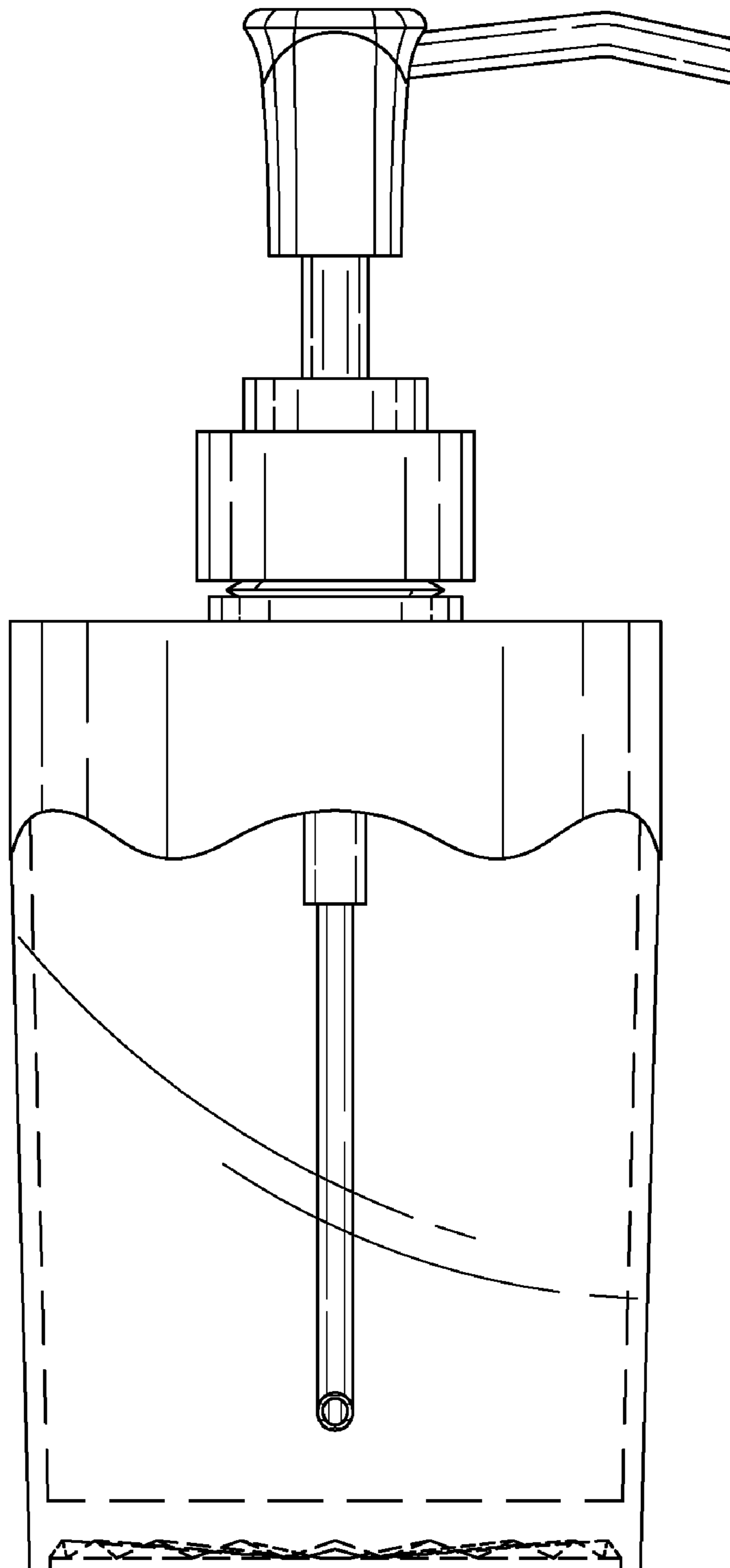


FIG. 4

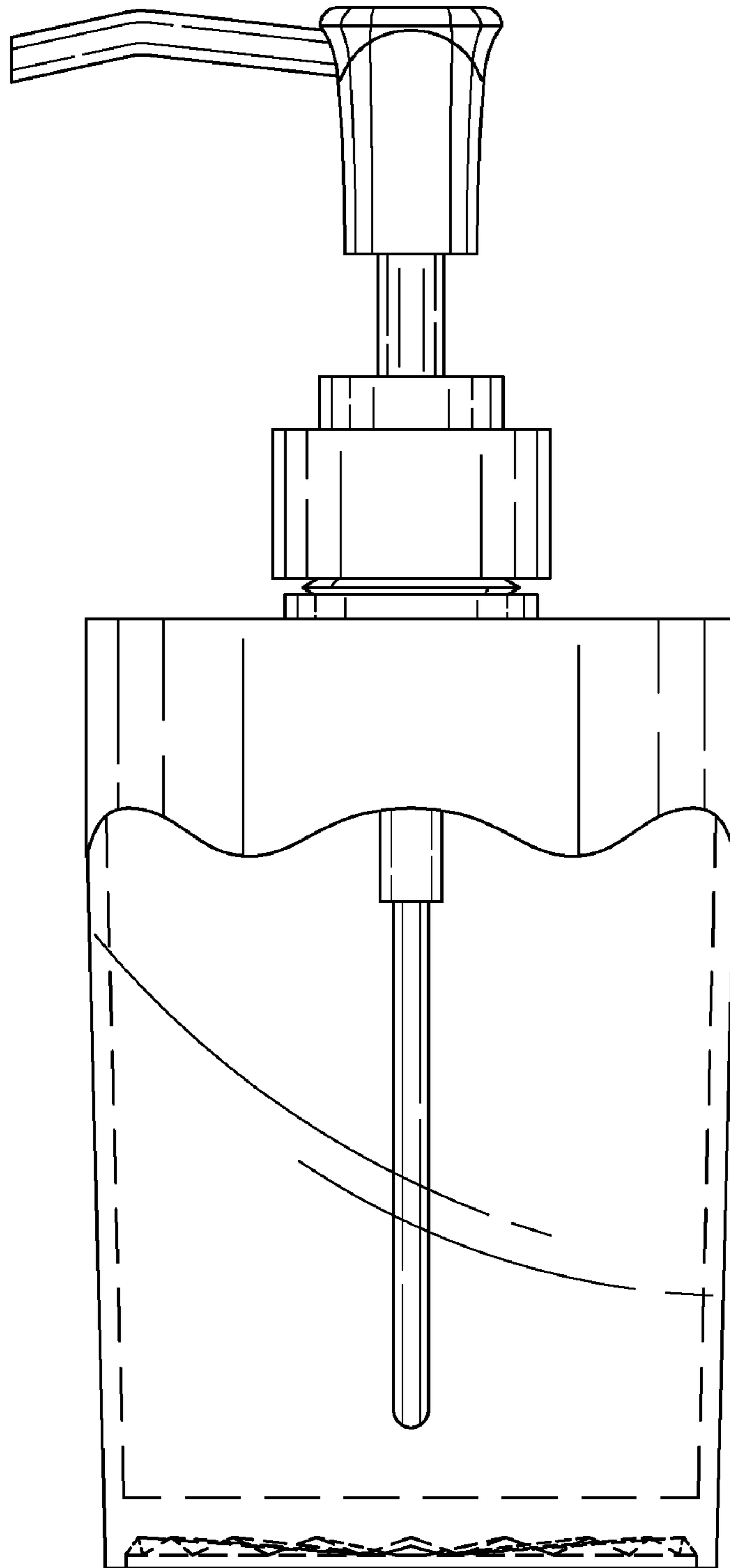


FIG. 5

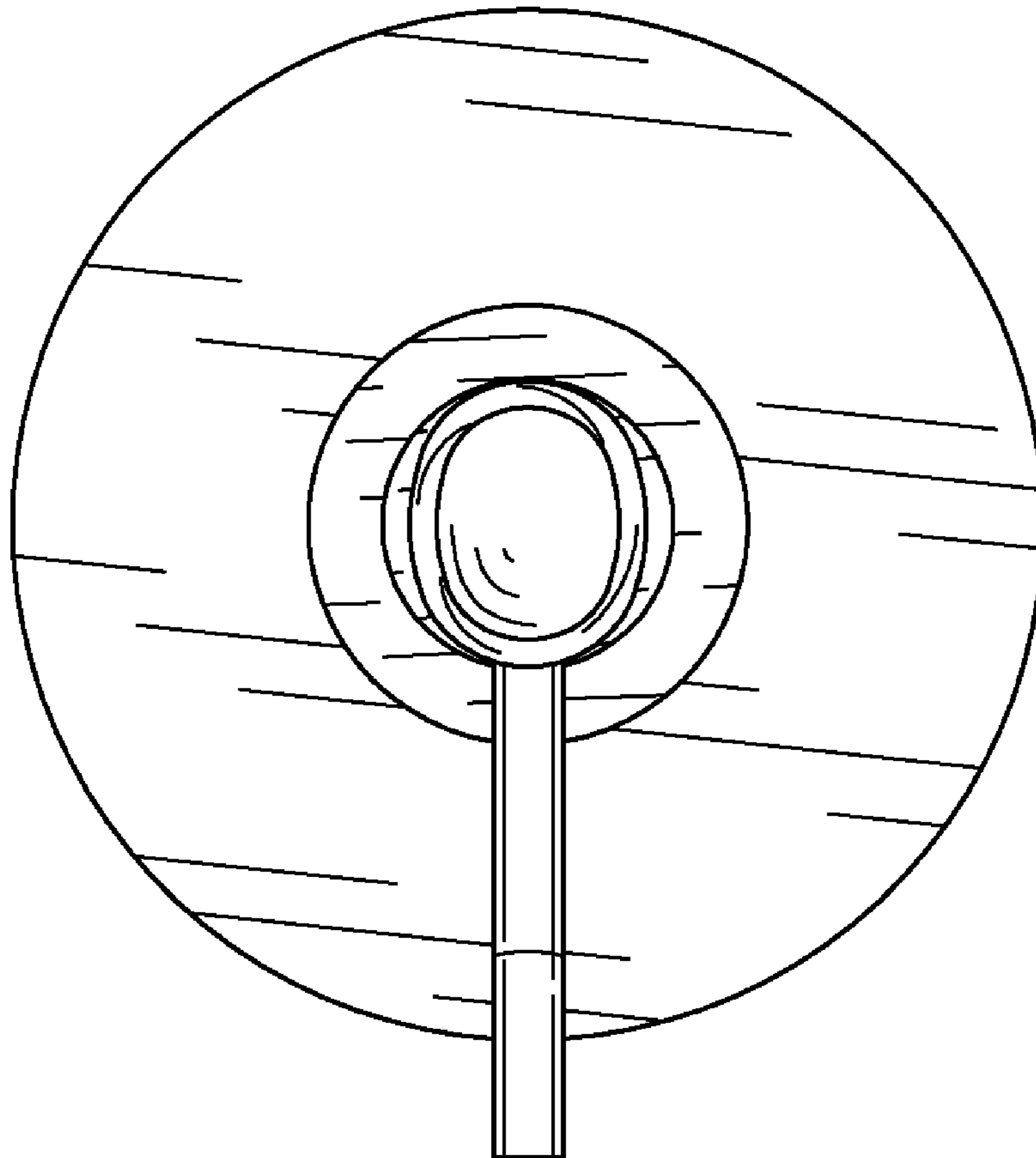


FIG. 6

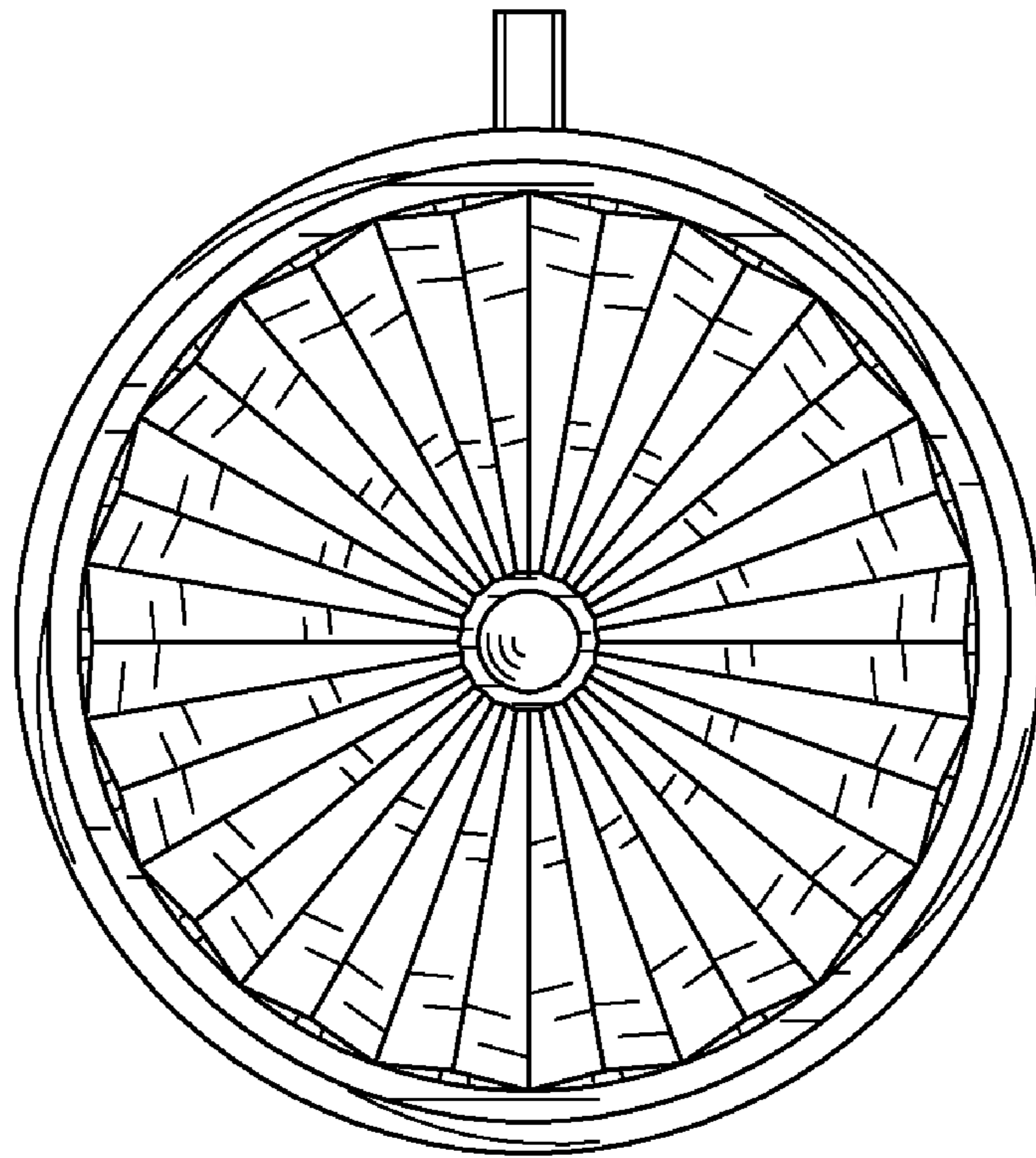


FIG. 7