



US00D596039S

(12) **United States Design Patent**
Zhou

(10) **Patent No.:** **US D596,039 S**
(45) **Date of Patent:** **** Jul. 14, 2009**

(54) **BEVERAGE BOTTLE**

(76) Inventor: **Jing-Liang Zhou**, 1-2/F, No. 3 Building,
Longzhu Industrial Estate, Nanshan
District, Shenzhen (CN)

(**) Term: **14 Years**

(21) Appl. No.: **29/281,971**

(22) Filed: **Jul. 9, 2007**

(51) **LOC (9) Cl.** **09-01**

(52) **U.S. Cl.** **D9/552; D9/519**

(58) **Field of Classification Search** D9/516,
D9/520, 541-543, 530, 535-536, 538, 539,
D9/546, 552, 554, 560, 565, 569-570, 574-575,
D9/8, 504-505; 215/12.1-12.2, 13.1, 381-385,
215/396, 398

See application file for complete search history.

(56) **References Cited**

U.S. PATENT DOCUMENTS

D335,259 S * 5/1993 Waine D9/574
D399,752 S * 10/1998 Farmer et al. D9/529
D472,148 S * 3/2003 Dowd D9/504
D500,445 S * 1/2005 DeBiasse et al. D9/505

D538,674 S * 3/2007 Sterling et al. D9/552
D543,119 S * 5/2007 McConville et al. D9/552

* cited by examiner

Primary Examiner—Nanda Bondade

(74) *Attorney, Agent, or Firm*—Global IP Services; Tianhua
Gu

(57) **CLAIM**

The ornamental design for a beverage bottle, as shown and
described.

DESCRIPTION

FIG. 1 is a front view of a beverage bottle showing my new
design, the back view being identical thereto;

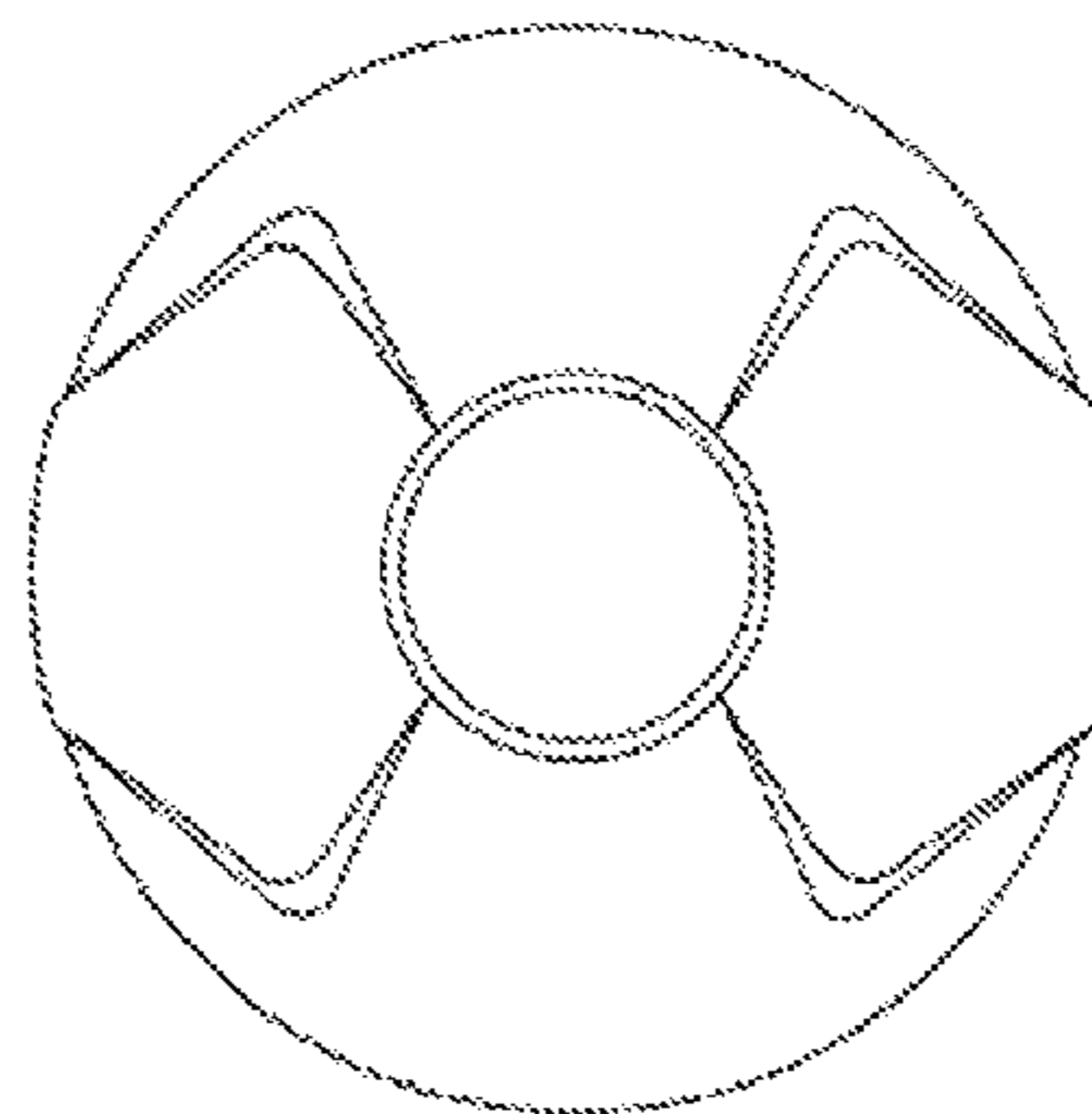
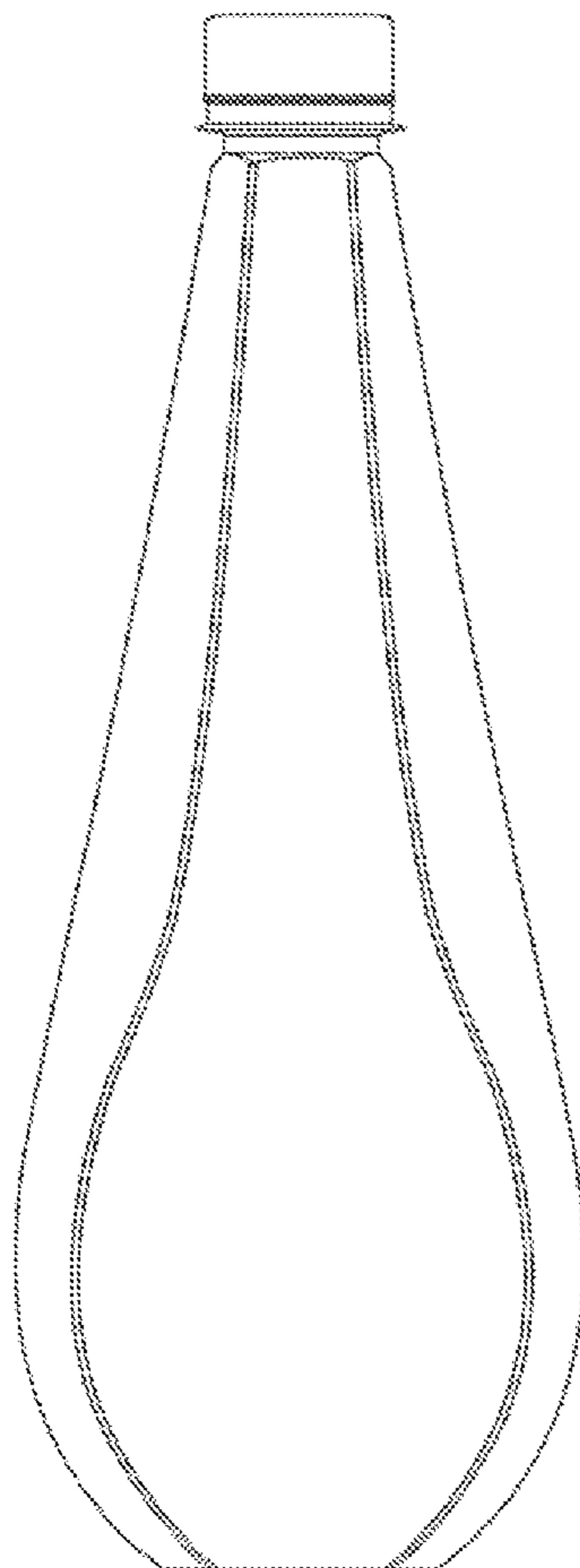
FIG. 2 is a top view thereof;

FIG. 3 is a bottom view thereof; and,

FIG. 4 is a left side view thereof, the right side view being
identical thereto.

The broken line showing on the drawing disclosure is for
illustrative purposes only and forms no part of the claimed
design.

1 Claim, 2 Drawing Sheets



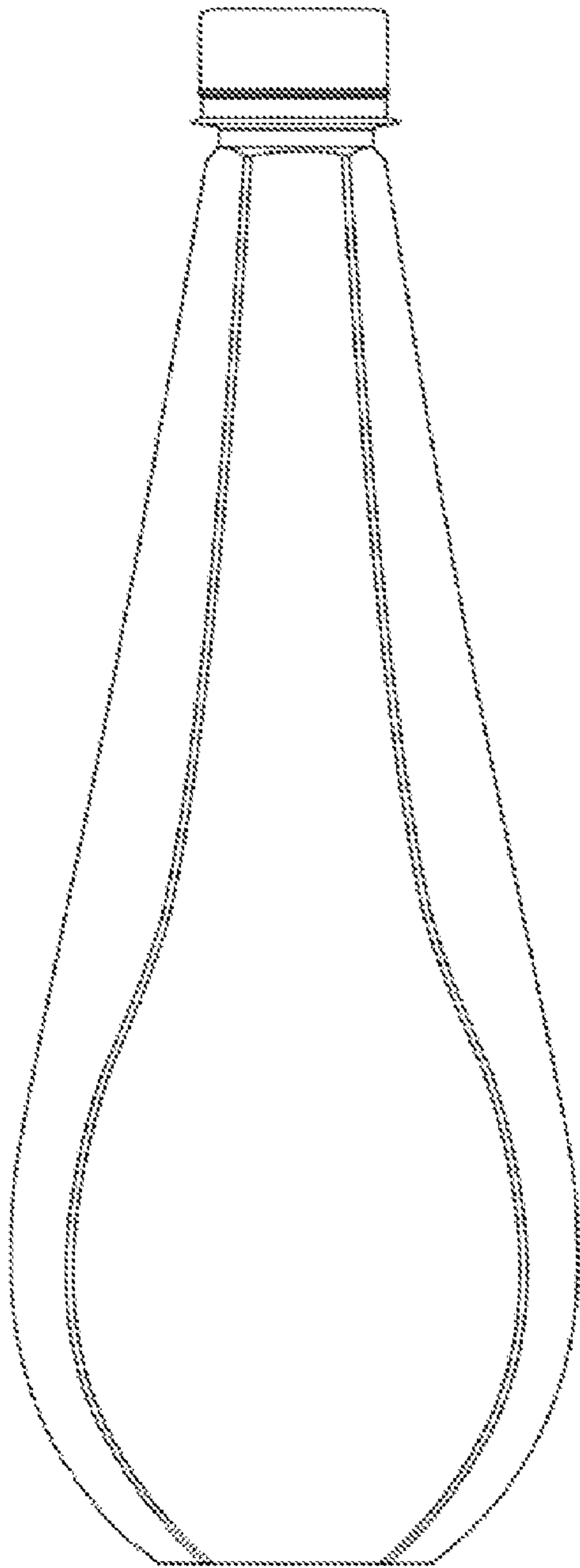


FIG. 1

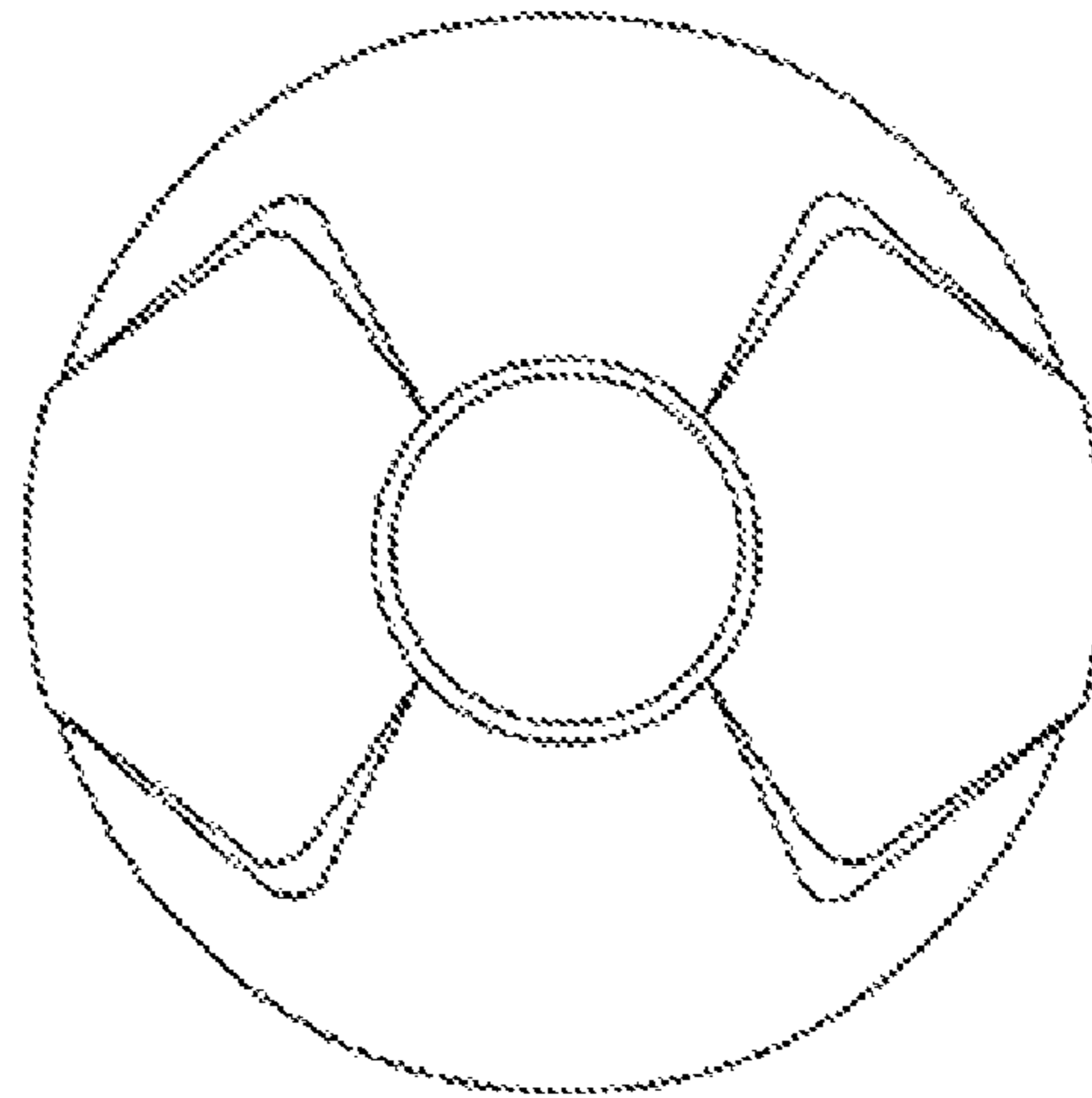


FIG. 2

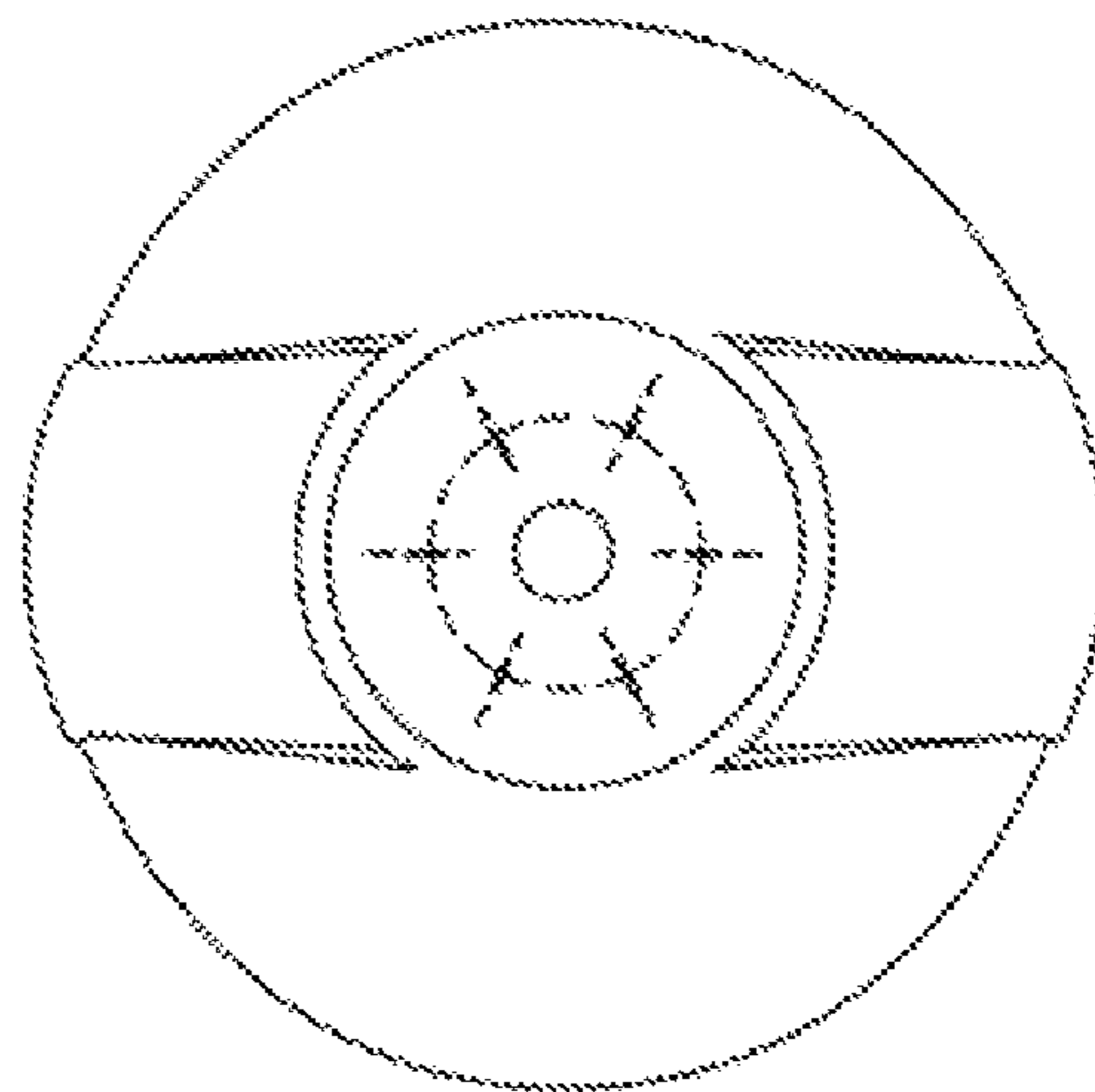


FIG. 3

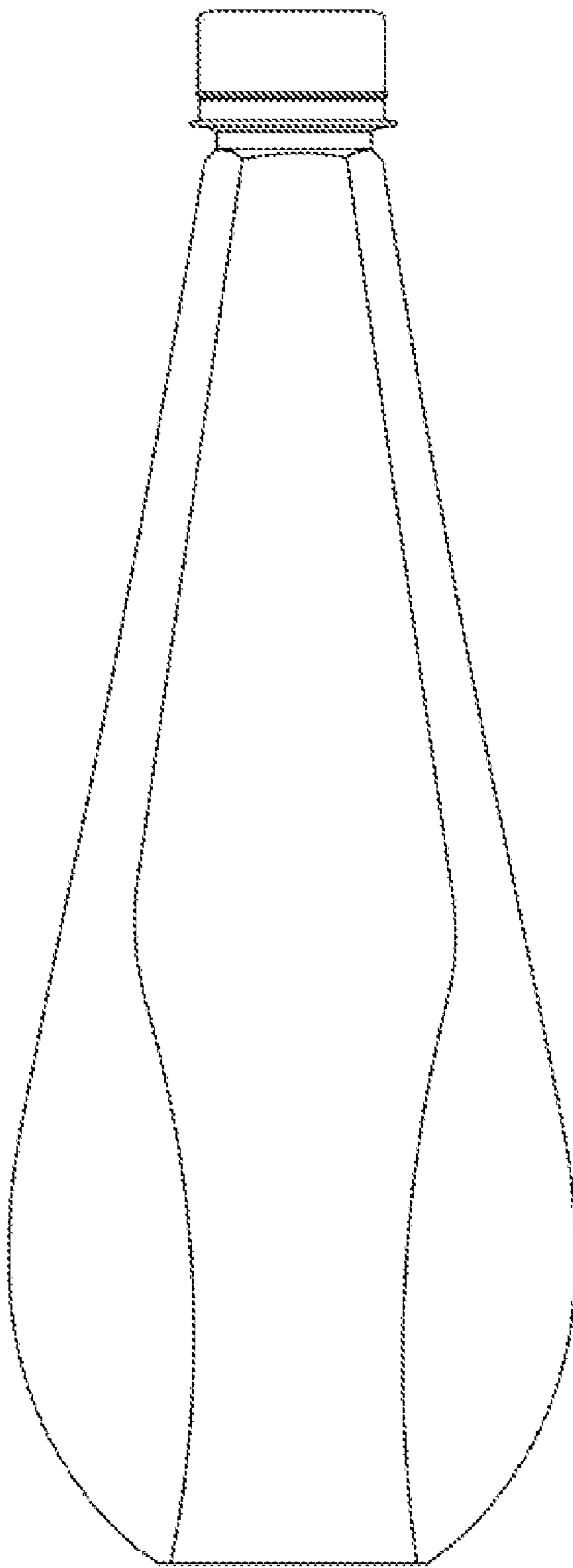


FIG. 4