



US00D596035S

(12) **United States Design Patent**
Shin et al.

(10) **Patent No.:** **US D596,035 S**
(45) **Date of Patent:** **** Jul. 14, 2009**

(54) **PRODUCT DISPENSER**

(75) Inventors: **Daniel H. J. Shin**, Chicago, IL (US);
Kristy L. Stojek, Chicago, IL (US)

(73) Assignee: **Wm. Wrigley Jr. Company**, Chicago, IL (US)

(**) Term: **14 Years**

(21) Appl. No.: **29/277,053**

(22) Filed: **Feb. 12, 2007**

(51) **LOC (9) Cl.** **09-01**

(52) **U.S. Cl.** **D9/529; D9/560**

(58) **Field of Classification Search** D9/682-694,
D9/774, 516, 529, 537-539, 549, 556, 558,
D9/560, 901, 902, 905, 420, 424, 428, 443,
D9/453; 215/382-384; 222/211-213; 220/660,
220/669-673; D34/7

See application file for complete search history.

(56) **References Cited**

U.S. PATENT DOCUMENTS

- 1,237,016 A * 8/1917 Brown 220/825
- D235,724 S * 7/1975 Swett D9/560 X
- D268,470 S * 4/1983 Kato D7/612
- D271,090 S * 10/1983 Edgar et al. D11/131
- D366,418 S * 1/1996 Lown et al. D9/449
- D373,084 S * 8/1996 Choi
- D398,852 S * 9/1998 Gross D9/453
- D446,456 S * 8/2001 Adachi et al.
- D448,867 S * 10/2001 Manocoho et al. D26/9
- D453,252 S * 1/2002 Lin D34/9
- 6,345,725 B1 * 2/2002 Lin 220/263
- D474,405 S * 5/2003 Togasawa
- D482,509 S * 11/2003 Lin D9/454 X
- D490,708 S * 6/2004 Lown D9/449 X
- D495,186 S * 8/2004 Poupel et al. D7/510 X
- D503,075 S * 3/2005 Martin
- D506,930 S * 7/2005 Cauwood et al. D9/552 X
- D507,753 S * 7/2005 Lamb et al.
- D509,434 S * 9/2005 Haruta

- D517,761 S * 3/2006 Yang et al. D34/7
- D525,874 S * 8/2006 Kipperman et al. D9/529
- D548,589 S * 8/2007 Blasko et al. D9/428
- D551,962 S * 10/2007 Blasko et al. D9/428
- D552,473 S * 10/2007 Simkin D9/516 X
- D552,993 S * 10/2007 Rathbone et al. D9/529 X
- D566,369 S * 4/2008 Shek D34/11

OTHER PUBLICATIONS

U.S. Appl. No. 29/243,980, Rathbone, et al.

* cited by examiner

Primary Examiner—Carol Rademaker

(74) *Attorney, Agent, or Firm*—Rebecca A. Aumann

(57) **CLAIM**

The ornamental design for a product dispenser, as shown and described.

DESCRIPTION

FIG. 1 is a top, front, and right side perspective view showing our new design;

FIG. 2 top, rear, and left side perspective view thereof;

FIG. 3 is a top plan view thereof;

FIG. 4 is a bottom plan view thereof;

FIG. 5 is a rear elevational view thereof;

FIG. 6 is a front elevational view thereof;

FIG. 7 is a left side elevational view thereof;

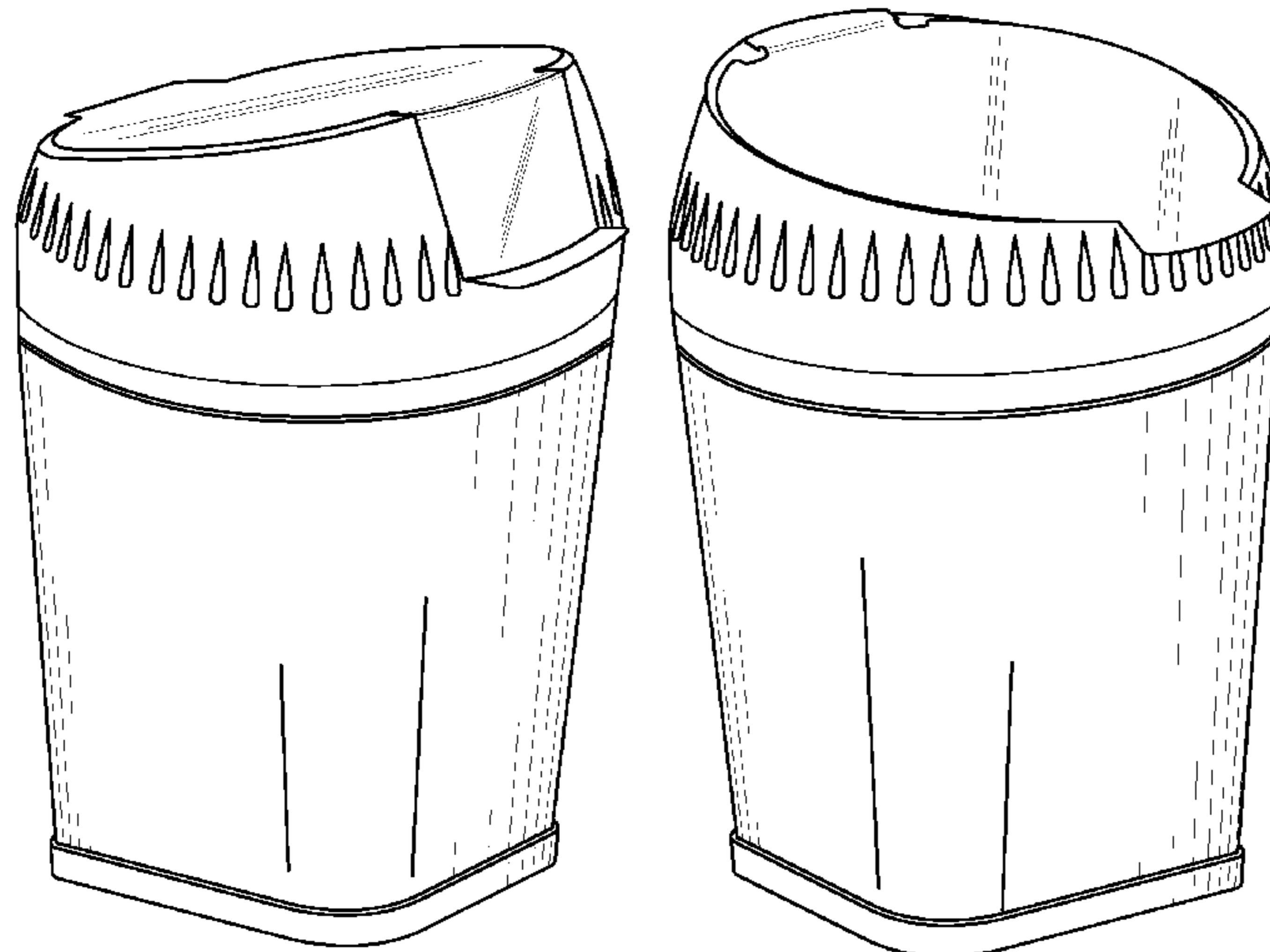
FIG. 8 is a right side elevational view thereof;

FIG. 9 is a top, rear, and left side perspective view thereof wherein a portion of the cover is shown in an open position; and,

FIG. 10 is a top, front, and left side perspective wherein the opener portion of the cover is shown in an open position.

The broken lines shown in the drawings are included for the purpose of illustrating environmental structure that forms no part of the claimed design.

1 Claim, 5 Drawing Sheets



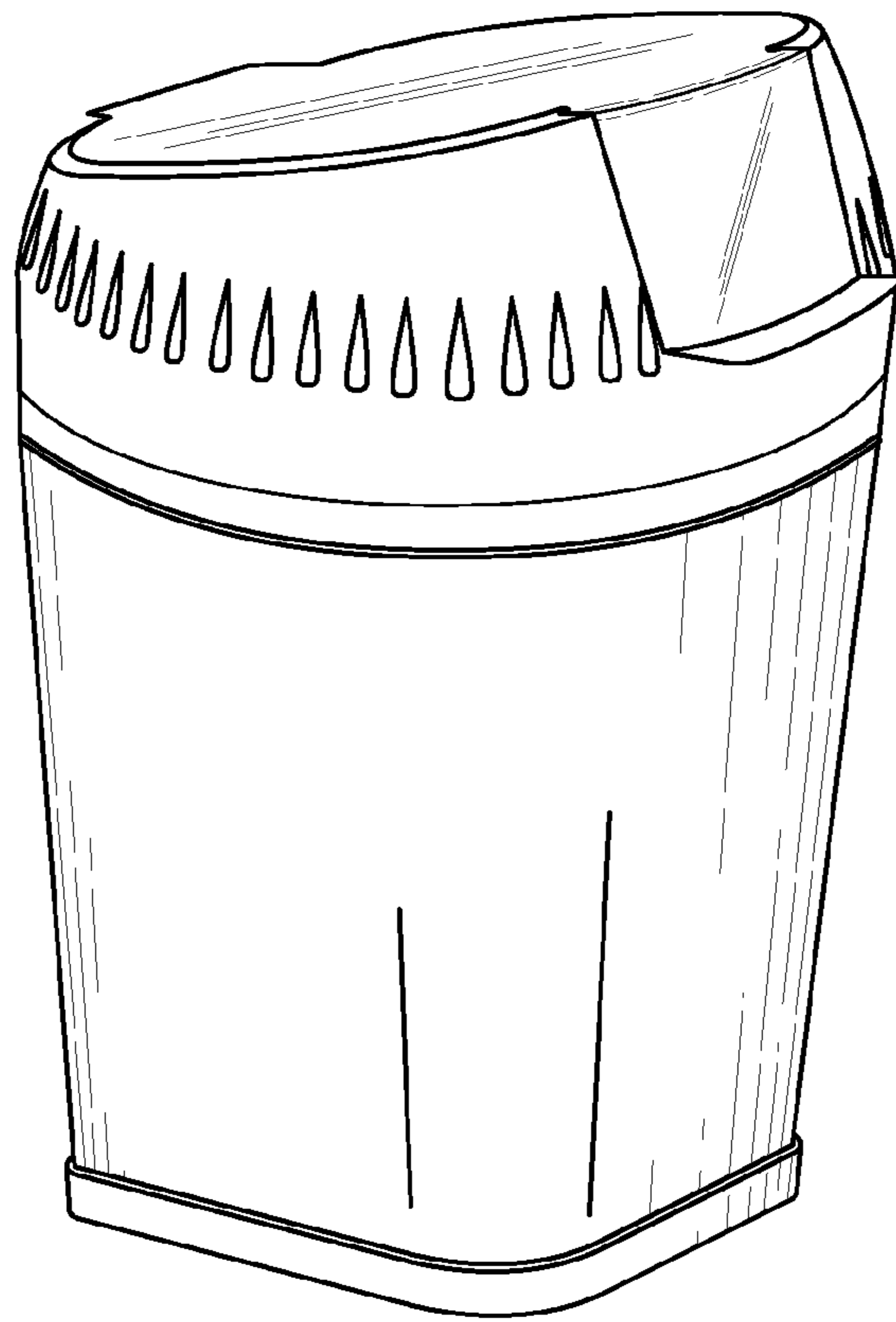


FIG. 1

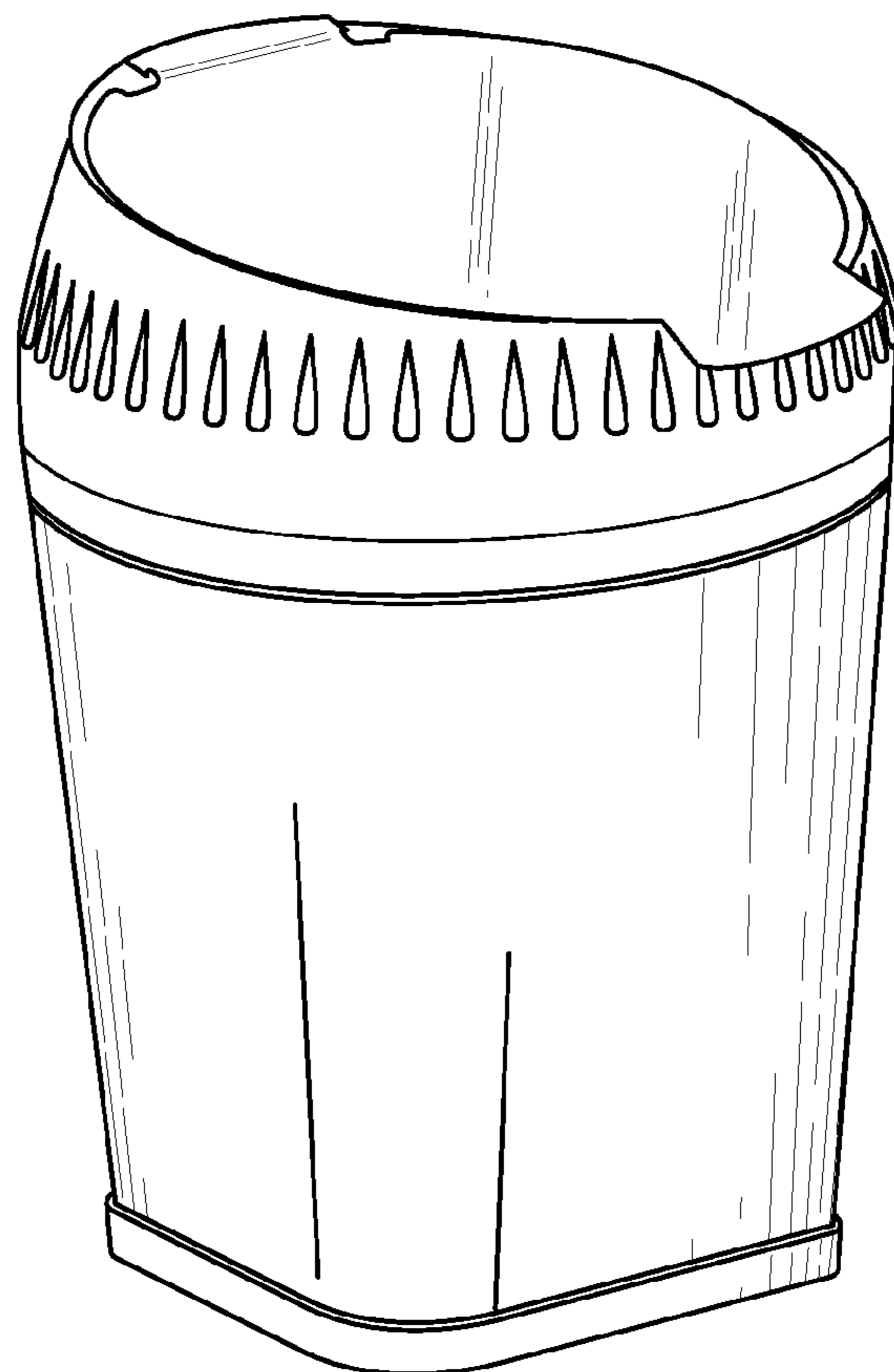


FIG. 2

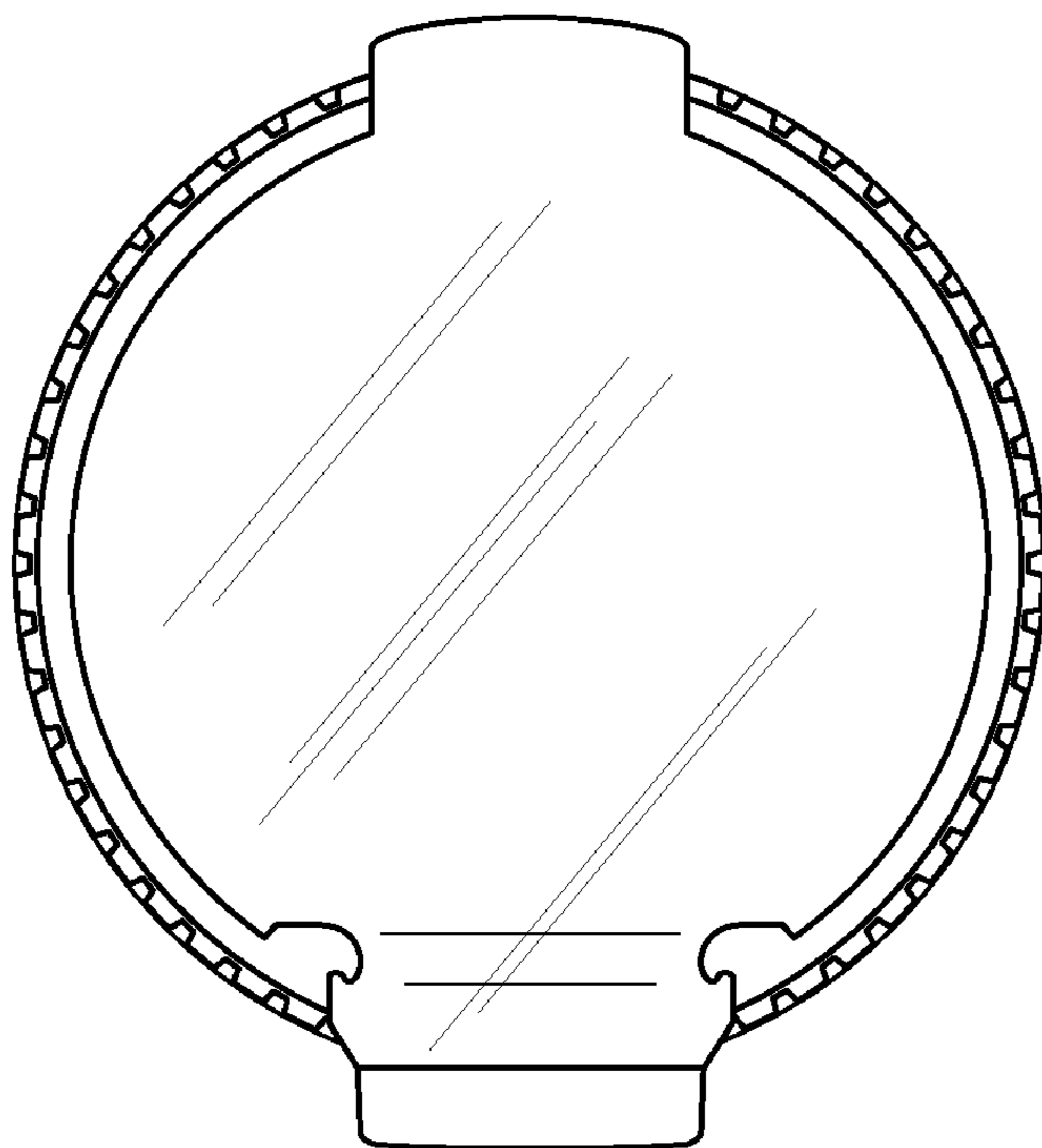


FIG. 3

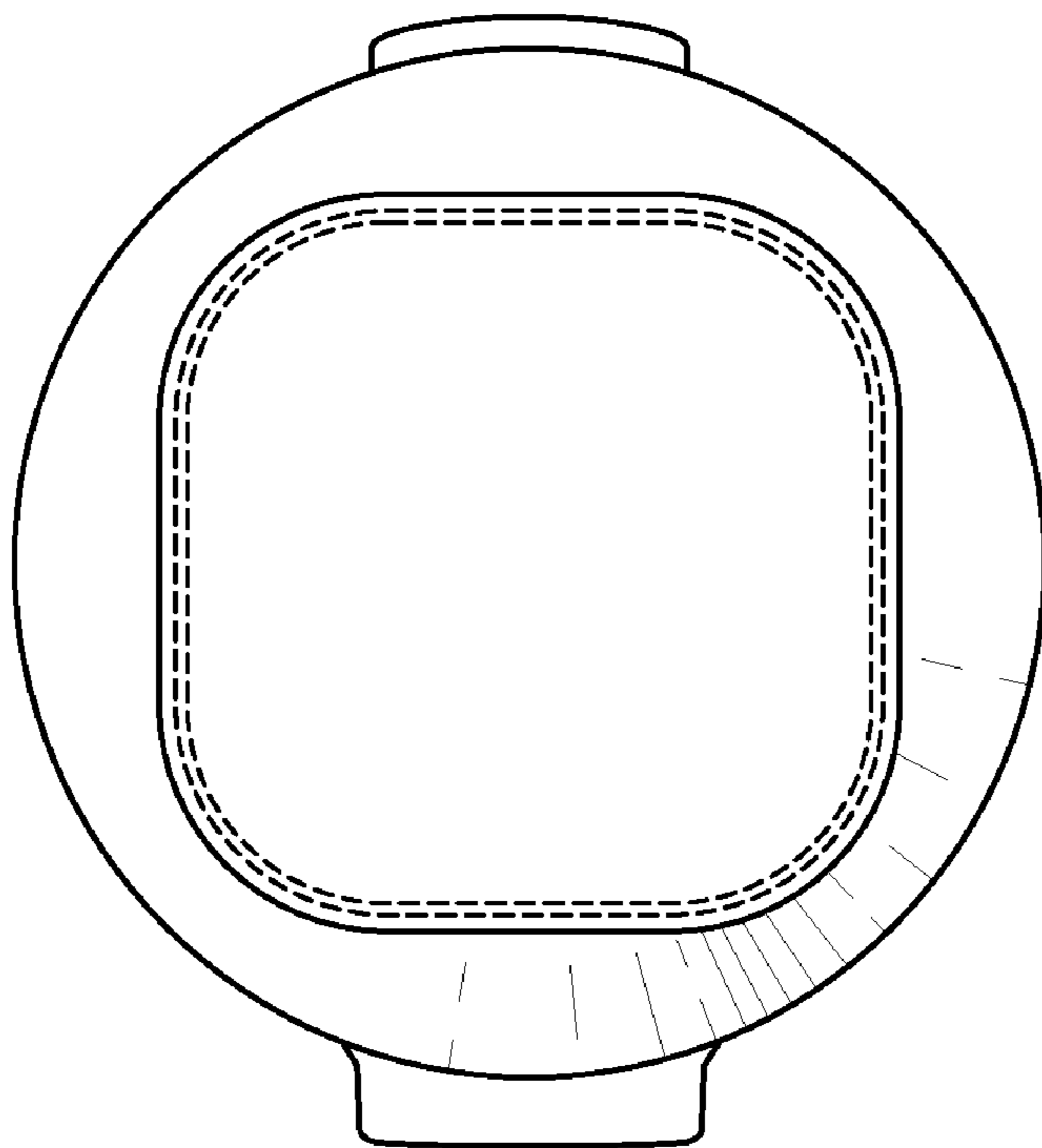


FIG. 4

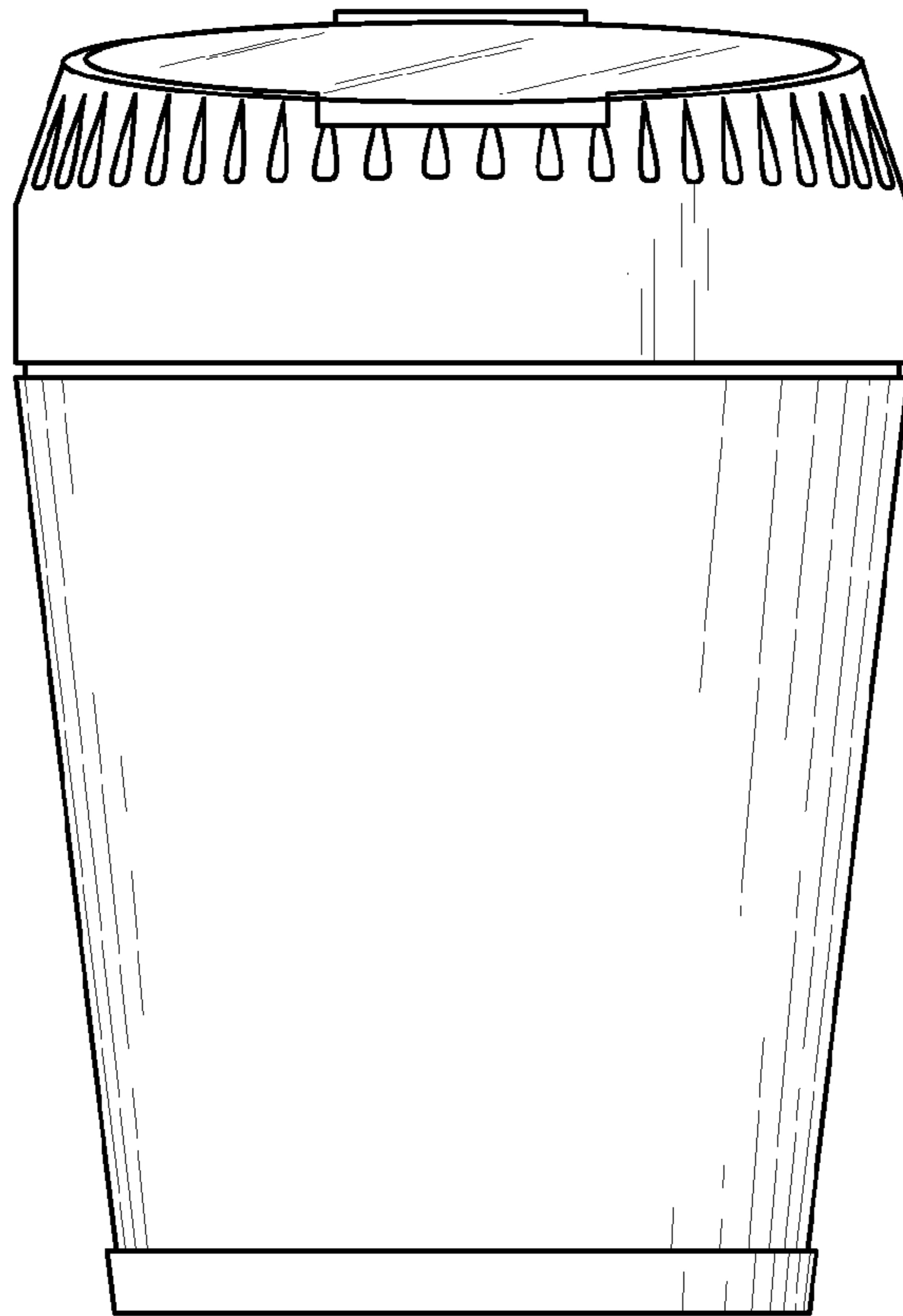


FIG. 5

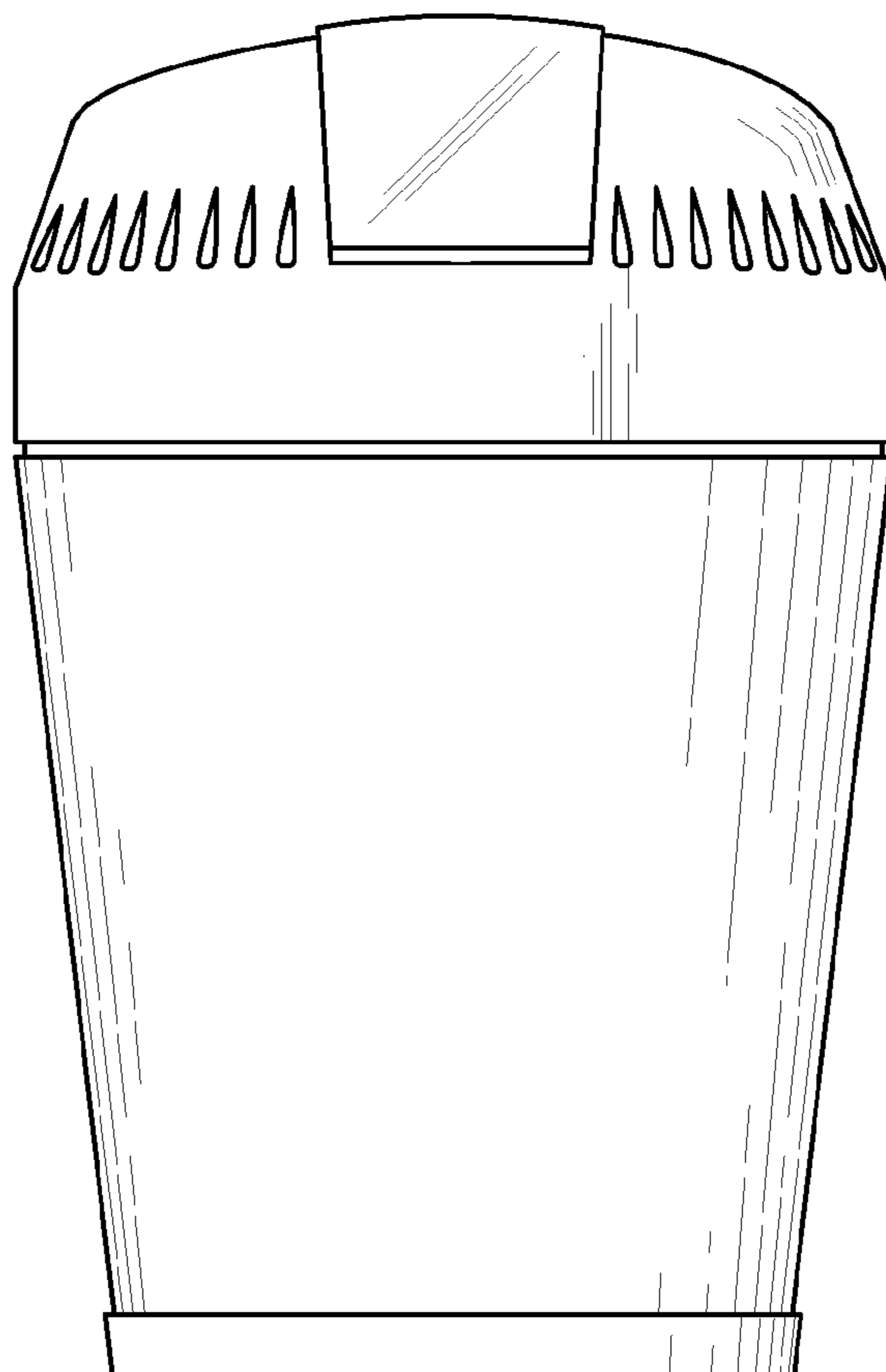


FIG. 6

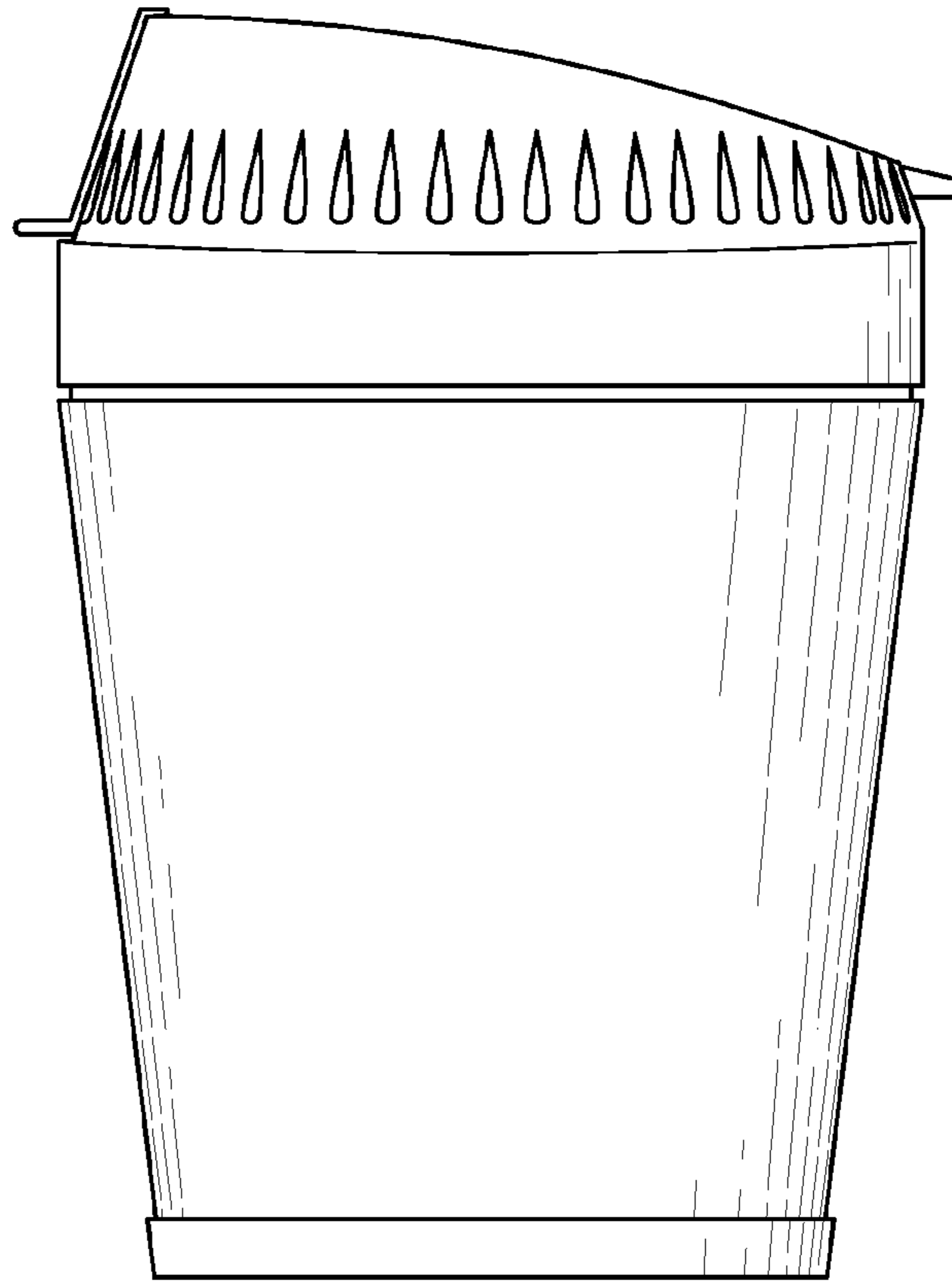


FIG. 7

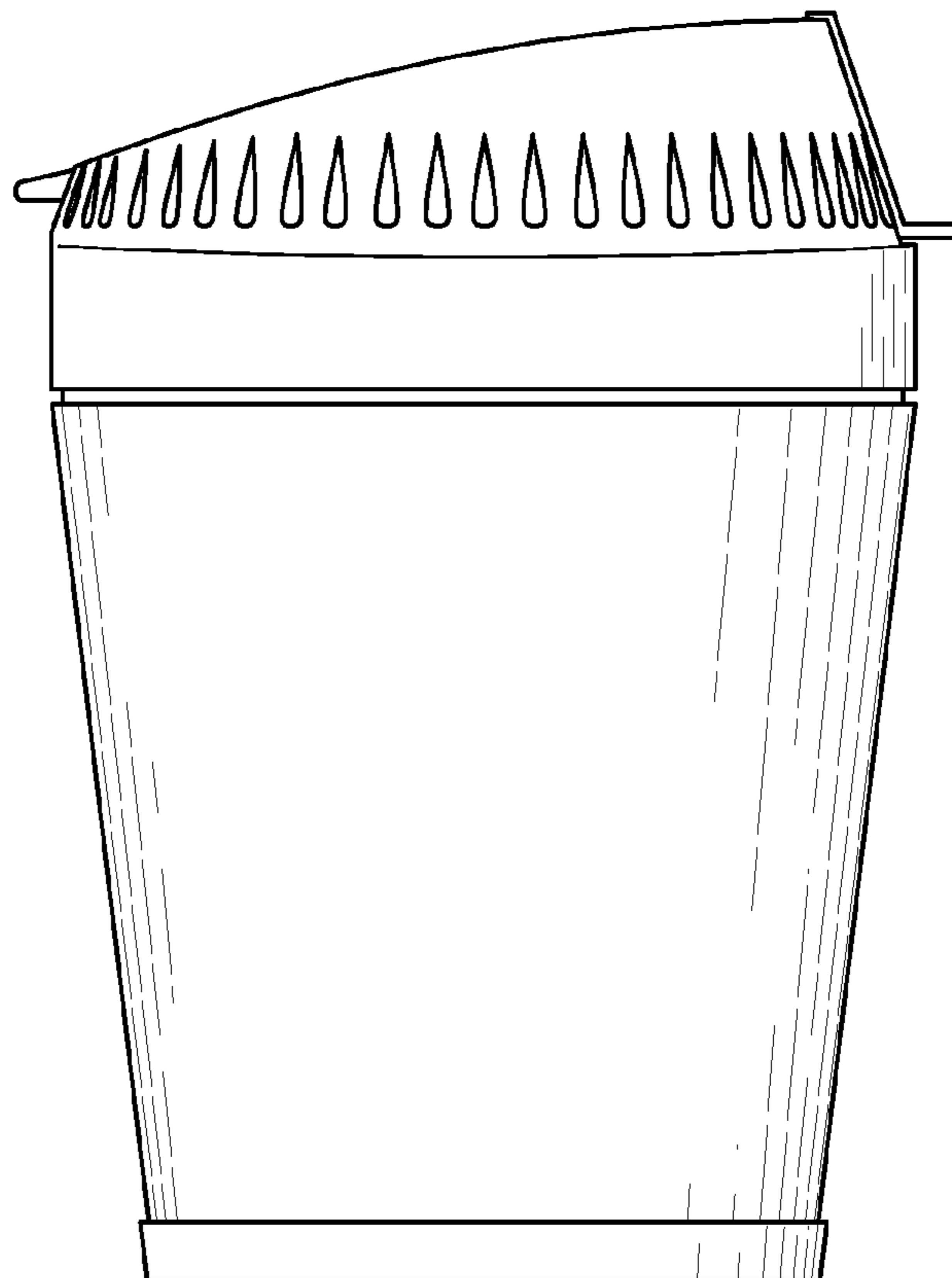


FIG. 8

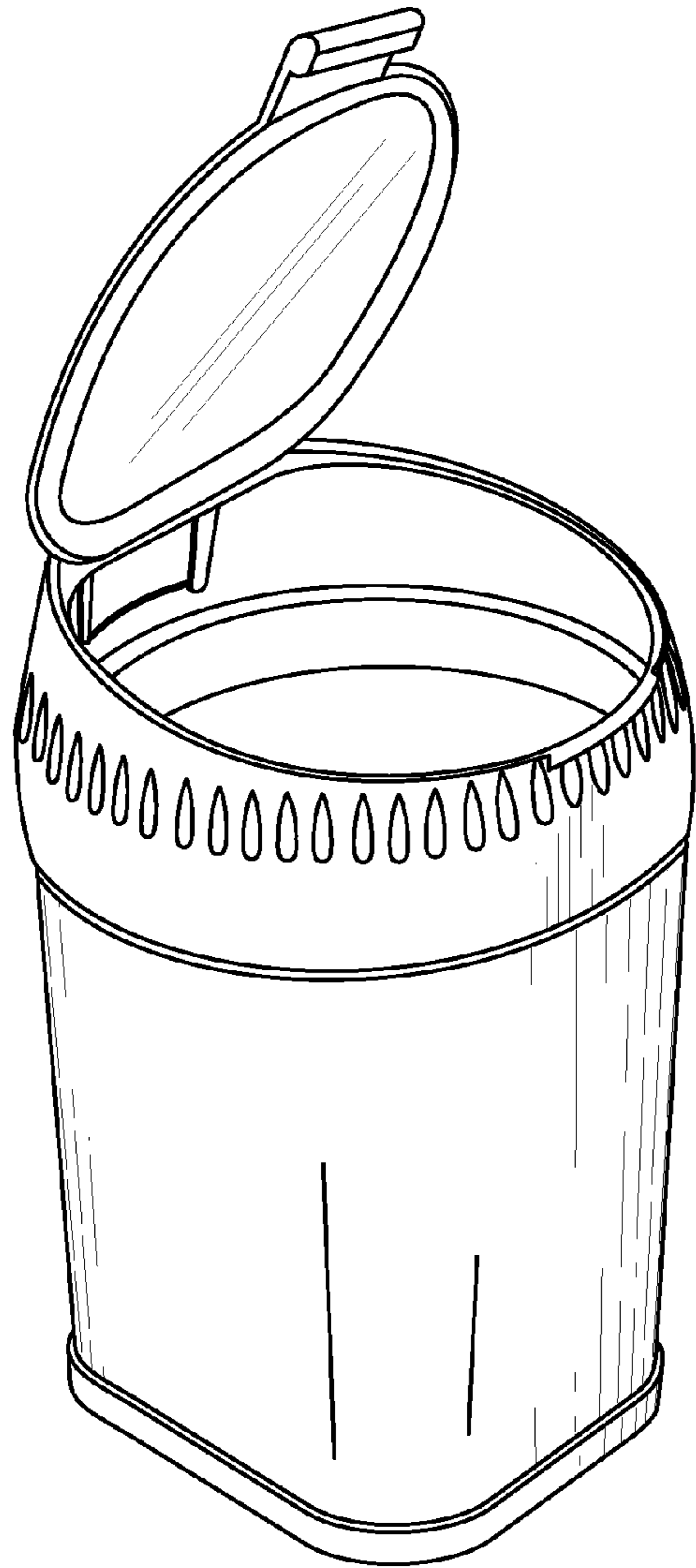


FIG. 9

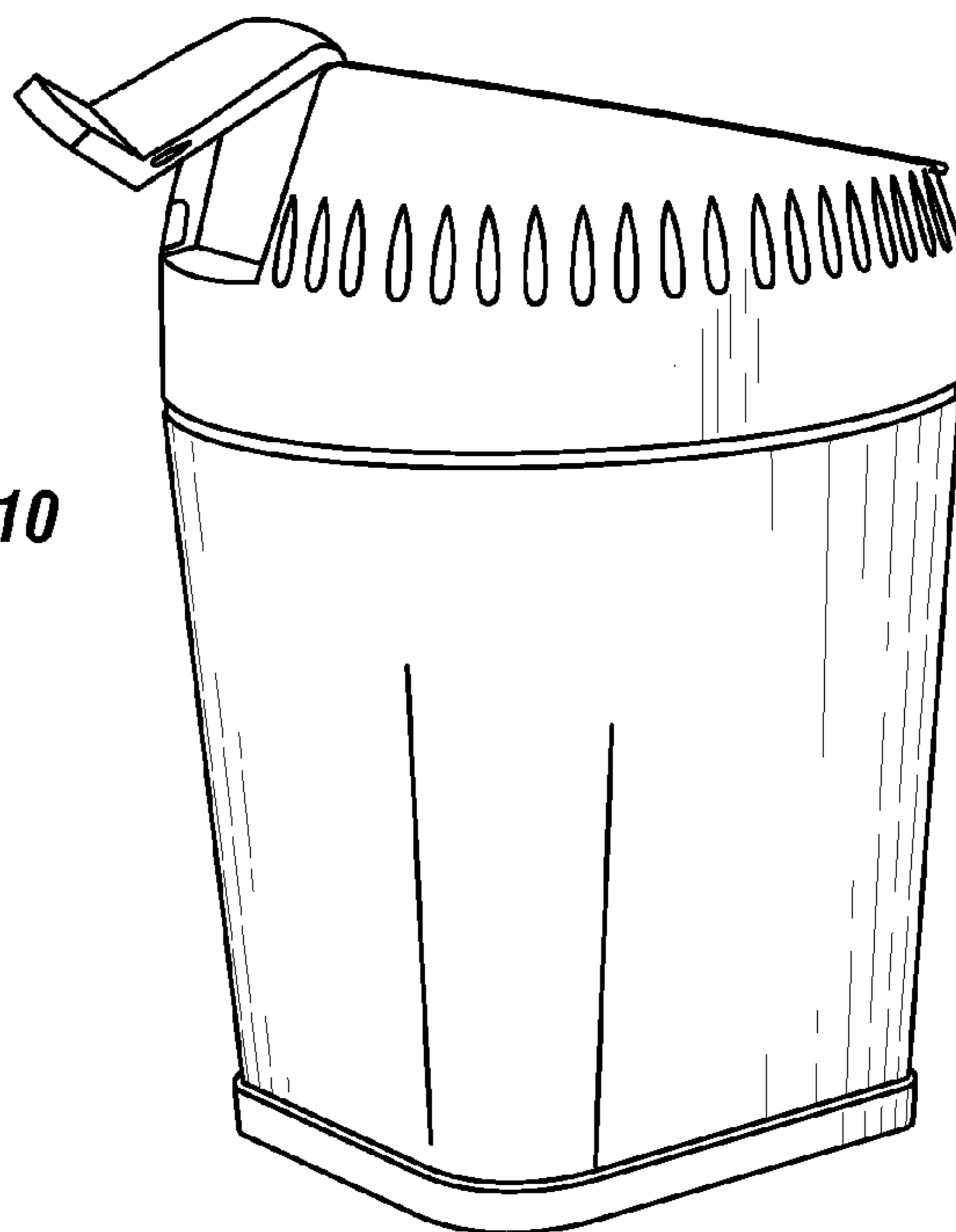


FIG. 10