



US00D596033S

(12) **United States Design Patent**  
**Zach et al.**

(10) **Patent No.:** **US D596,033 S**  
(45) **Date of Patent:** **\*\* Jul. 14, 2009**

(54) **APPLICATOR**

*Primary Examiner*—Carol Rademaker

(75) Inventors: **Steven A. Zach**, Racine, WI (US);  
**Doraiswami Jaichandra**, Racine, WI  
(US); **Michael E. Klinkhammer**,  
Racine, WI (US); **William J. Rice**,  
Round Lake Beach, IL (US); **Shannon**  
**L. Bakich**, Racine, WI (US)

(57) **CLAIM**

The ornamental design for an applicator, as shown and described.

(73) Assignee: **S.C. Johnson & Son, Inc.**, Racine, WI  
(US)

**DESCRIPTION**

(\*\*) Term: **14 Years**

The nature of this product is an applicator used to apply cleaning, disinfecting, and/or fragrancng adhesive gel to the inside surface of a toilet bowl.

(21) Appl. No.: **29/333,275**

FIG. 1 is a bottom, front perspective view of an applicator embodying our new design;

(22) Filed: **Mar. 5, 2009**

FIG. 2 is a bottom, rear perspective view thereof;

**Related U.S. Application Data**

(62) Division of application No. 29/269,331, filed on Nov. 29, 2006, now Pat. No. Des. 592,513.

FIG. 3 is a rear elevational view thereof;

(51) **LOC (9) Cl.** ..... **09-01**

FIG. 4 is a front elevational view thereof;

(52) **U.S. Cl.** ..... **D9/517; D9/551; D9/557**

FIG. 5 is a right side elevational view thereof, the left side elevational view being a mirror image thereof;

(58) **Field of Classification Search** ..... D9/682-694,  
D9/718, 723-724, 905, 501, 516-517, 529-530,  
D9/537-540, 548-549, 551-552, 556-558;  
D1/102-103, 105, 130, 199; 215/12.1-12.2,  
215/381-385; 220/4.27, 23.4, 23.83, 561,  
220/761, 766, 770

FIG. 6 is a bottom plan view thereof;

FIG. 7 is a top plan view thereof;

See application file for complete search history.

FIG. 8 is a bottom, front perspective view of a second embodiment of an applicator embodying our new design;

(56) **References Cited**

**U.S. PATENT DOCUMENTS**

D66,788 S 3/1925 Curran  
D121,604 S 7/1940 Miklos

(Continued)

FIG. 9 is a bottom, rear perspective view thereof;

FIG. 10 is a rear elevational view thereof;

FIG. 11 is a front elevational view thereof;

FIG. 12 is a right side elevational view thereof, the left side elevational view being a mirror image thereof;

**FOREIGN PATENT DOCUMENTS**

DE 956298 1/1957

(Continued)

FIG. 13 is a bottom plan view thereof; and,

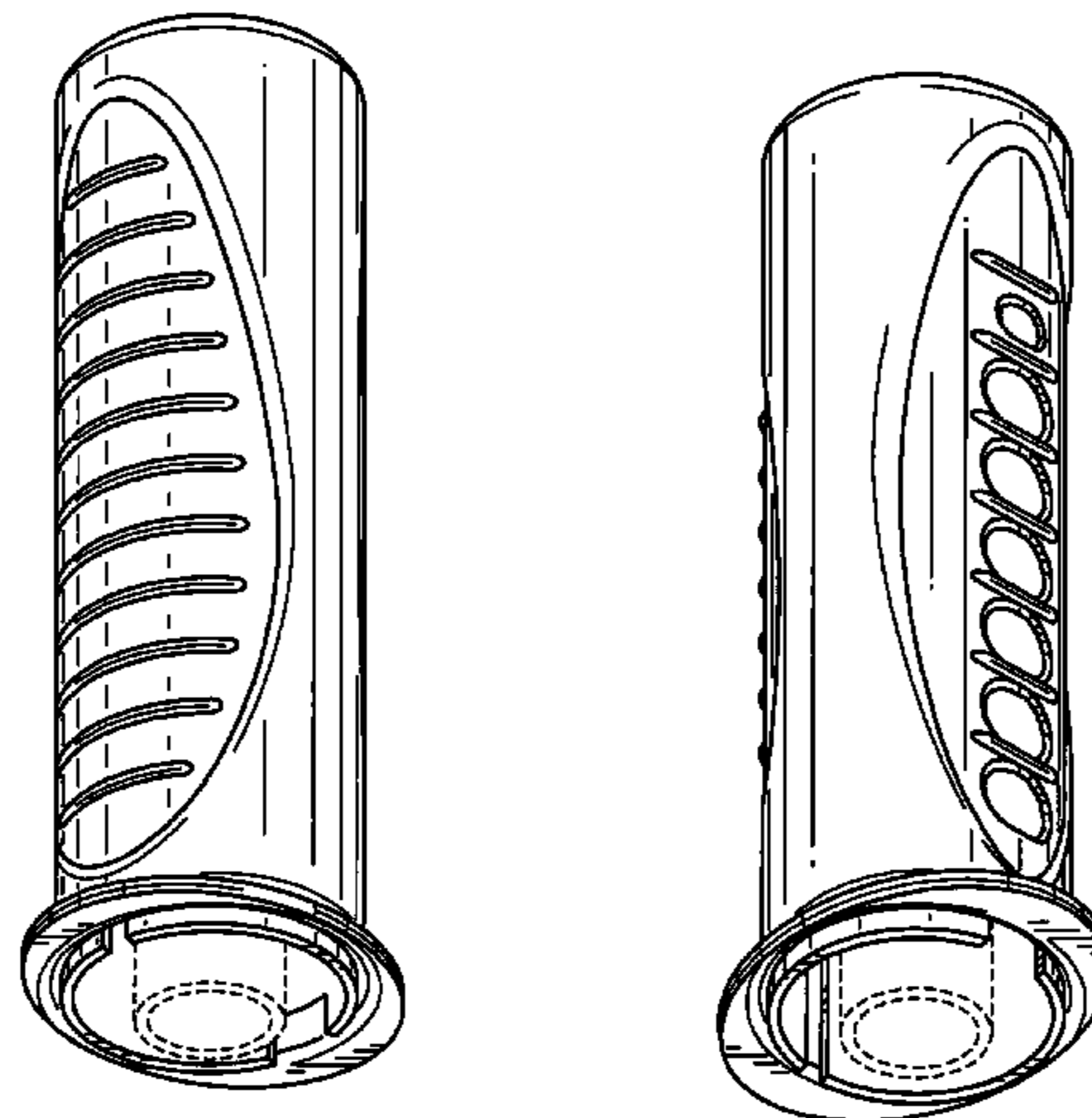
FIG. 14 is a top plan view thereof.

The broken lines shown in the drawing views are included for the purpose of showing environmental structure that forms no part of the claimed design.

**OTHER PUBLICATIONS**

English Translation of WO 2004/043825 A1, Dated Nov. 3, 2003.

**1 Claim, 6 Drawing Sheets**



# US D596,033 S

## U.S. PATENT DOCUMENTS

D203,417	S	1/1966	Linn	
3,229,865	A	1/1966	Heisler et al.	
3,471,065	A	10/1969	Malone	
3,474,939	A *	10/1969	O'Donnell et al.	..... 222/320
D221,706	S *	8/1971	Harrigan	..... D24/197
3,926,343	A	12/1975	Kleiner	
4,252,507	A	2/1981	Knickerbocker	
4,273,257	A	6/1981	Smith et al.	
4,445,626	A	5/1984	Steffen et al.	
4,485,943	A	12/1984	Czech	
4,658,993	A	4/1987	Vlasich	
4,694,977	A	9/1987	Graf et al.	
D292,372	S	10/1987	Sykes	
D296,665	S *	7/1988	Hofer	..... D9/504
D303,627	S	9/1989	Wilkinson	
4,944,430	A	7/1990	Graf et al.	
D310,022	S	8/1990	Anderson	
4,961,521	A	10/1990	Eckman	
4,962,868	A	10/1990	Borchard	
D318,731	S	7/1991	Chapin	
5,099,999	A	3/1992	Balien	
D328,028	S	7/1992	Driscoll	
5,141,129	A	8/1992	Jennings	
D335,450	S	5/1993	Pezzoli et al.	
5,219,448	A	6/1993	Hackmann	
D337,274	S	7/1993	Thatcher	
D353,099	S	12/1994	Poisson	
D357,189	S	4/1995	Daucourt	
D357,584	S	4/1995	Swingler	
5,421,663	A	6/1995	Bravo	
D362,626	S	9/1995	Rossi	
D366,827	S	2/1996	Rothman	
D375,679	S	11/1996	Russell	
5,709,306	A	1/1998	Hofmann	
5,876,137	A	3/1999	Byrd	
D425,411	S	5/2000	May	
D428,656	S	7/2000	Alexander et al.	
D435,441	S	12/2000	Yoon	
D437,219	S	2/2001	Gallart et al.	
6,187,350	B1	2/2001	Gallart et al.	
6,221,407	B1	4/2001	Gallart et al.	

6,273,152	B1	8/2001	Buehler et al.	
D450,591	S	11/2001	Escola Gallart et al.	
D463,284	S	9/2002	Poisson et al.	
D466,401	S	12/2002	Cohen et al.	
D468,640	S	1/2003	Mitchell et al.	
6,513,680	B2 *	2/2003	Nakayoshi et al.	..... 222/1
D477,216	S	7/2003	Gronwall	
D477,231	S	7/2003	Muller	
D477,529	S	7/2003	Chan	
D482,620	S	11/2003	Kleckauskas et al.	
D493,369	S	7/2004	Murphy	
D507,490	S	7/2005	Mero et al.	
D511,090	S	11/2005	Devine	
D512,918	S	12/2005	Ruiz	
D513,185	S	12/2005	Ruiz	
D513,187	S	12/2005	Ruiz	
D515,869	S	2/2006	Mills et al.	
D516,430	S	3/2006	Ruiz	
D537,344	S	2/2007	O'Brien et al.	
D537,722	S *	3/2007	Jaichandra et al.	..... D9/517
D538,164	S	3/2007	Zach et al.	
D539,147	S	3/2007	O'Brien	
D539,157	S *	3/2007	Okusono Ruiz	..... D9/557 X
D542,923	S *	5/2007	Merkin et al.	..... D24/197
D551,564	S *	9/2007	Patey et al.	..... D9/689
D578,394	S	10/2008	Shurtleff et al.	
D587,584	S *	3/2009	Jaichandra et al.	..... D9/517
D592,046	S *	5/2009	Myers et al.	..... D9/418
2007/0007302	A1	1/2007	Jaichandra et al.	

## FOREIGN PATENT DOCUMENTS

DE	3321210	12/1984
DE	4134911	4/1993
DE	4436286	4/1996
DE	19618179	11/1997
EP	457452	11/1991
EP	1258571	11/2002
GB	2127101	4/1984
WO	03043906	5/2003
WO	03097947	11/2003
WO	2004043825	5/2004

\* cited by examiner

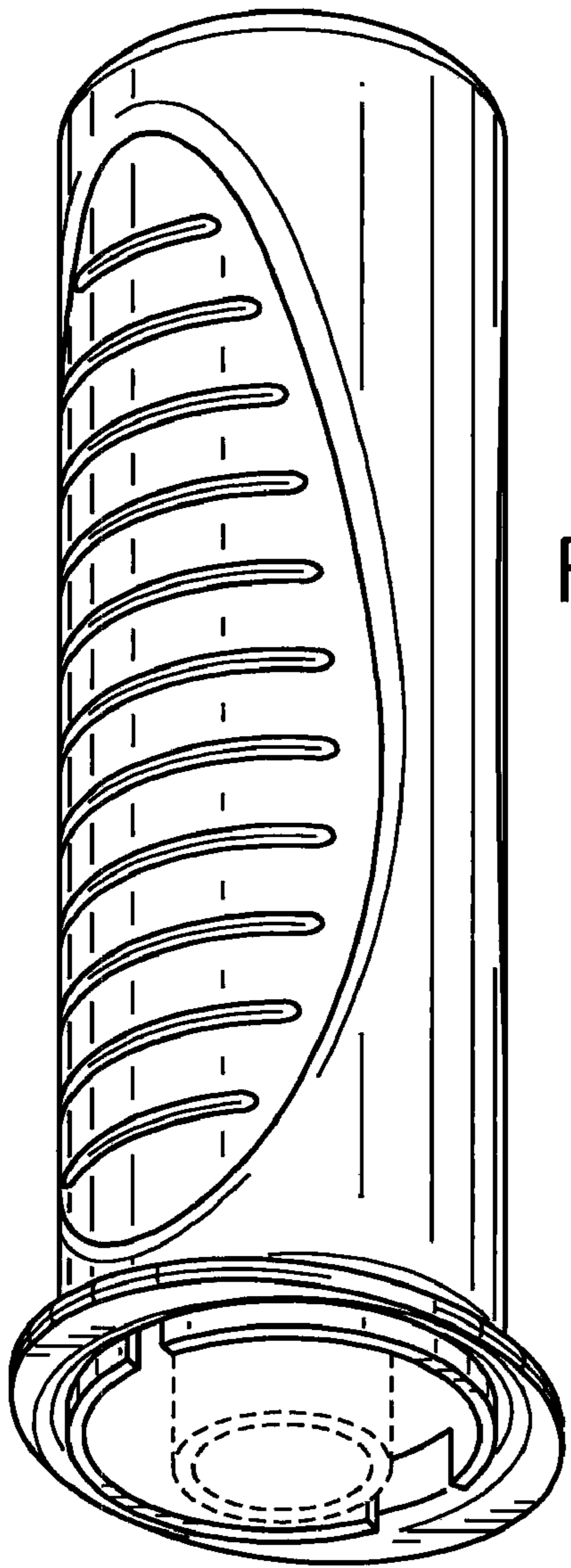


FIG. 1

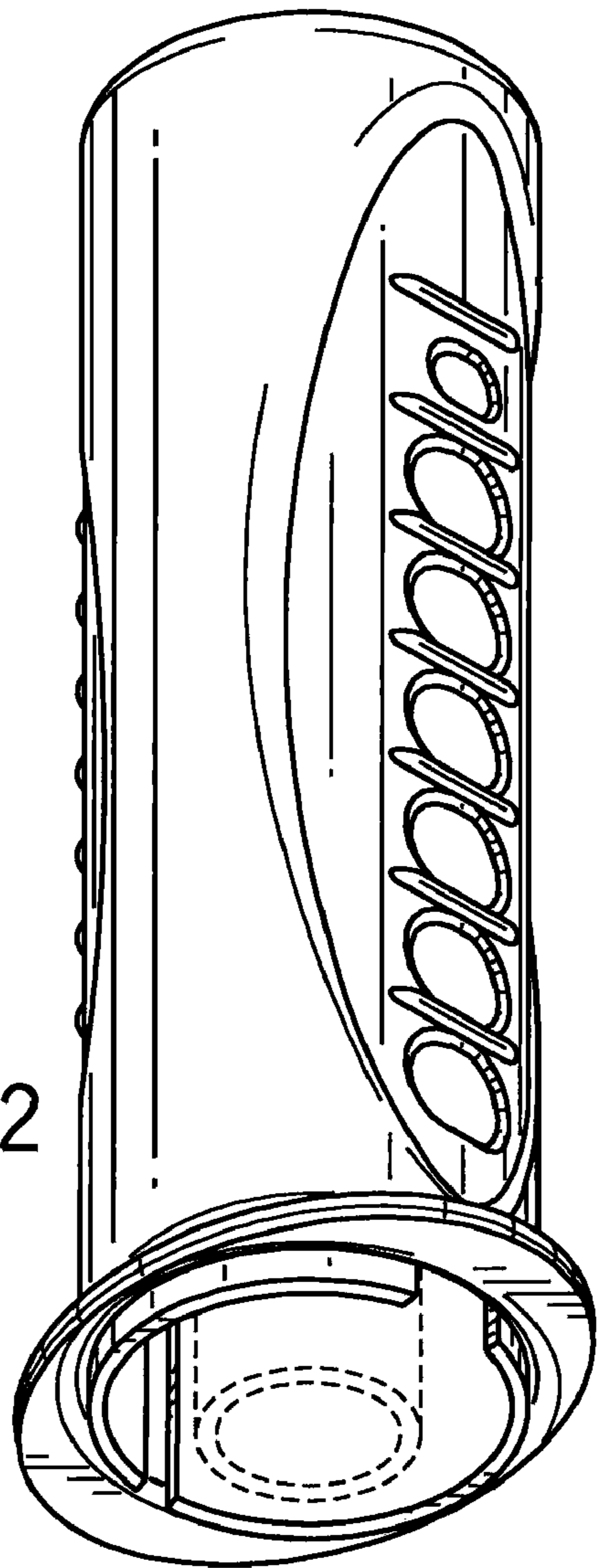


FIG. 2

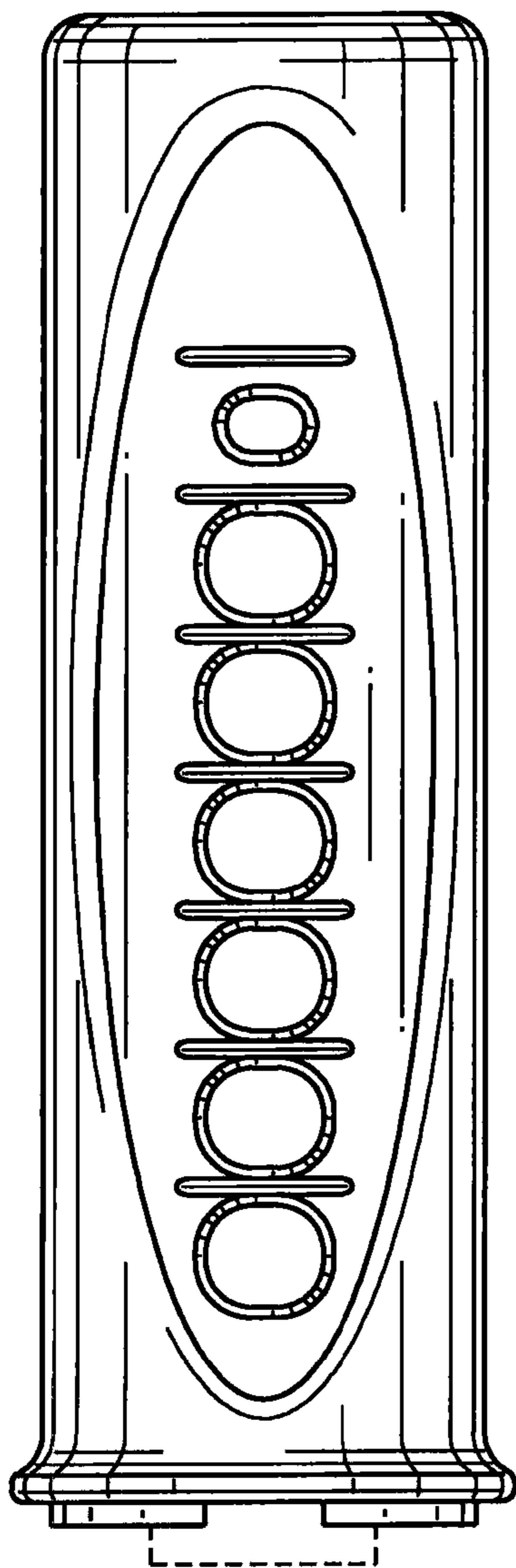


FIG. 3

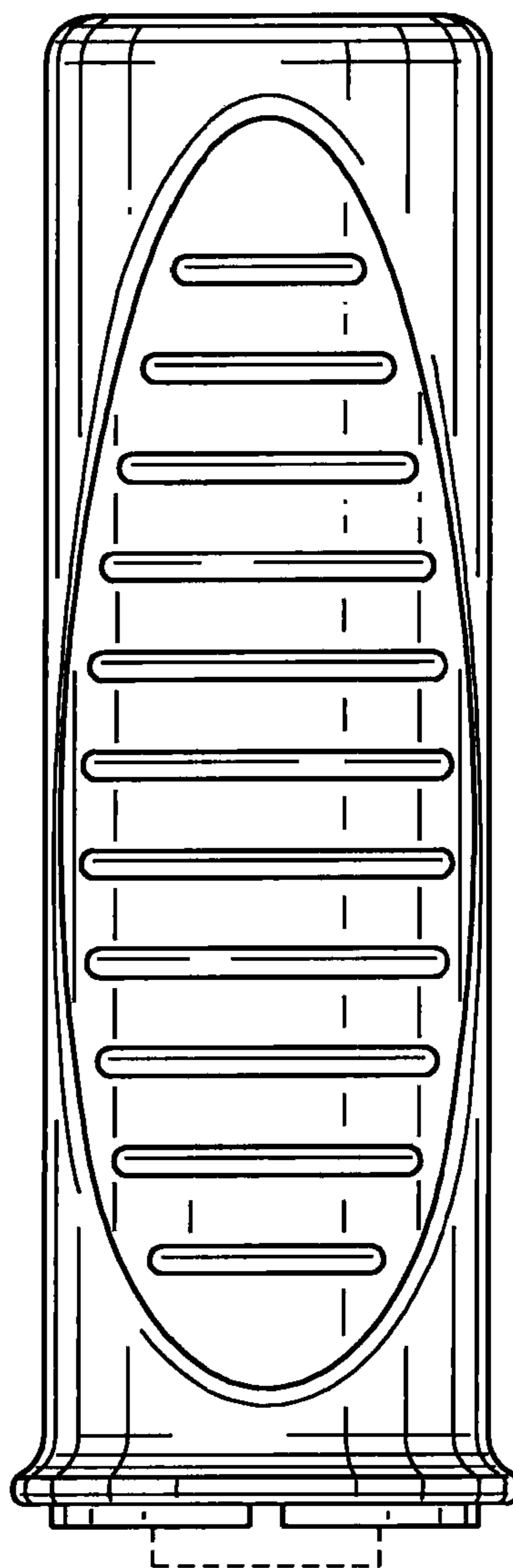


FIG. 4

FIG. 5

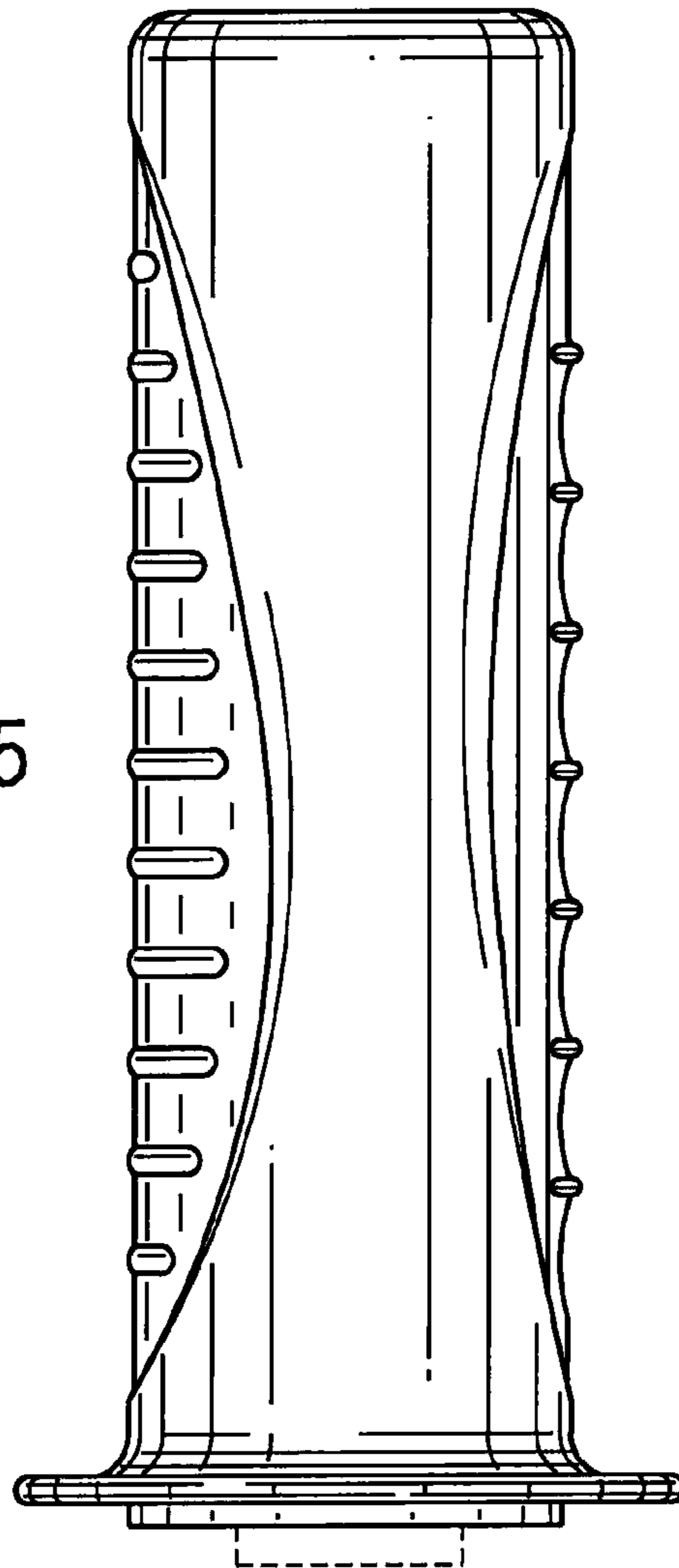


FIG. 6

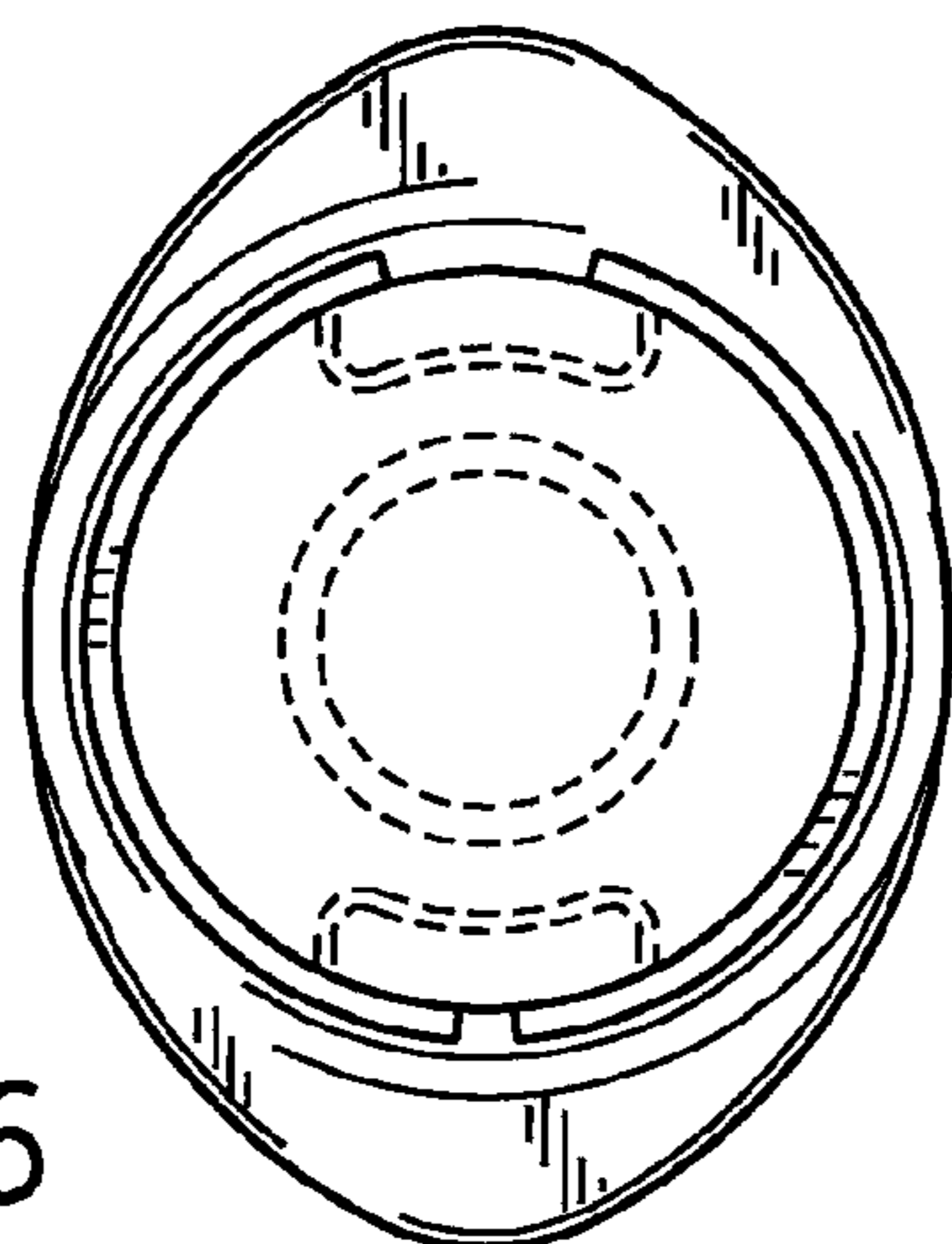
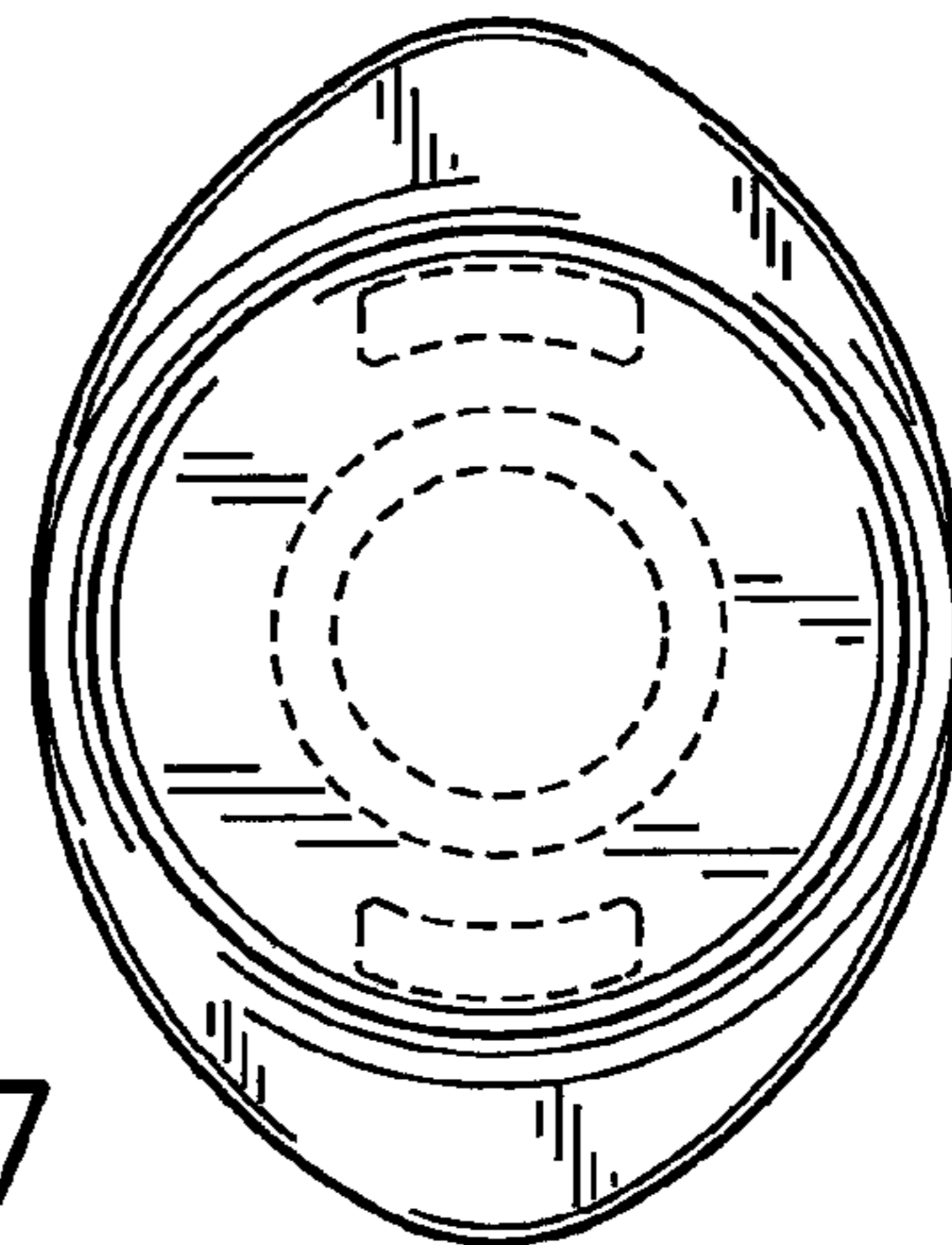


FIG. 7



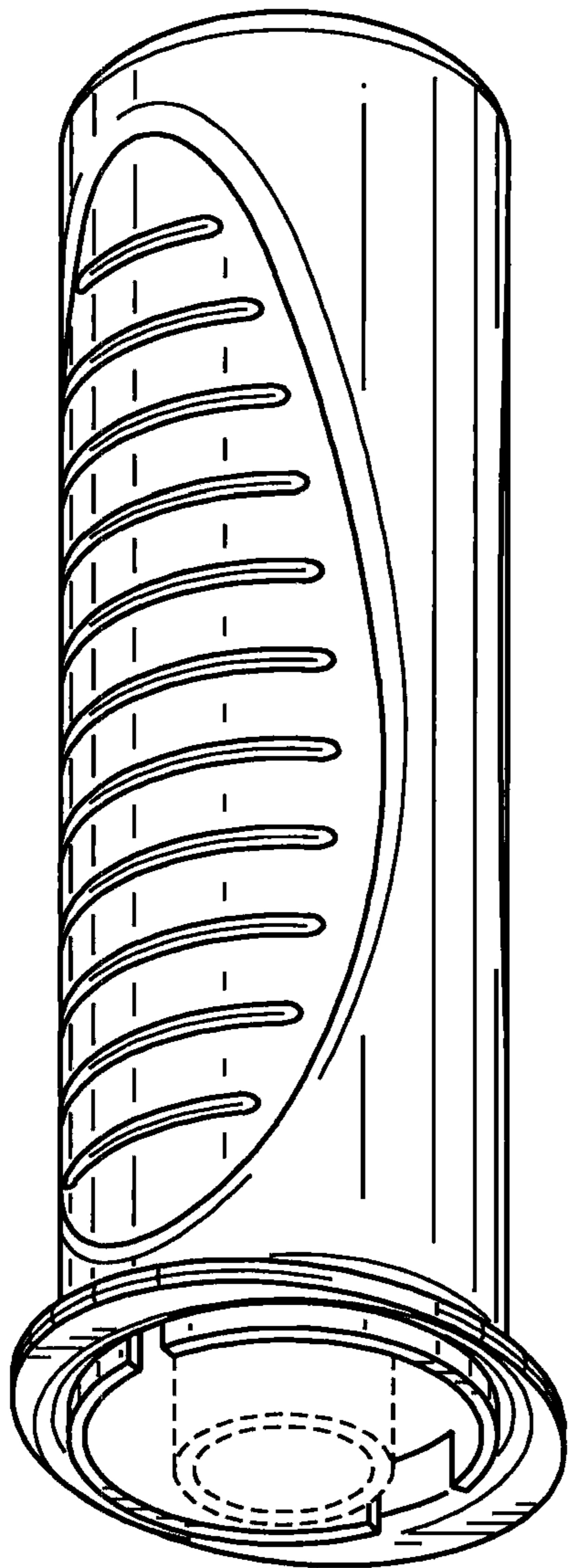
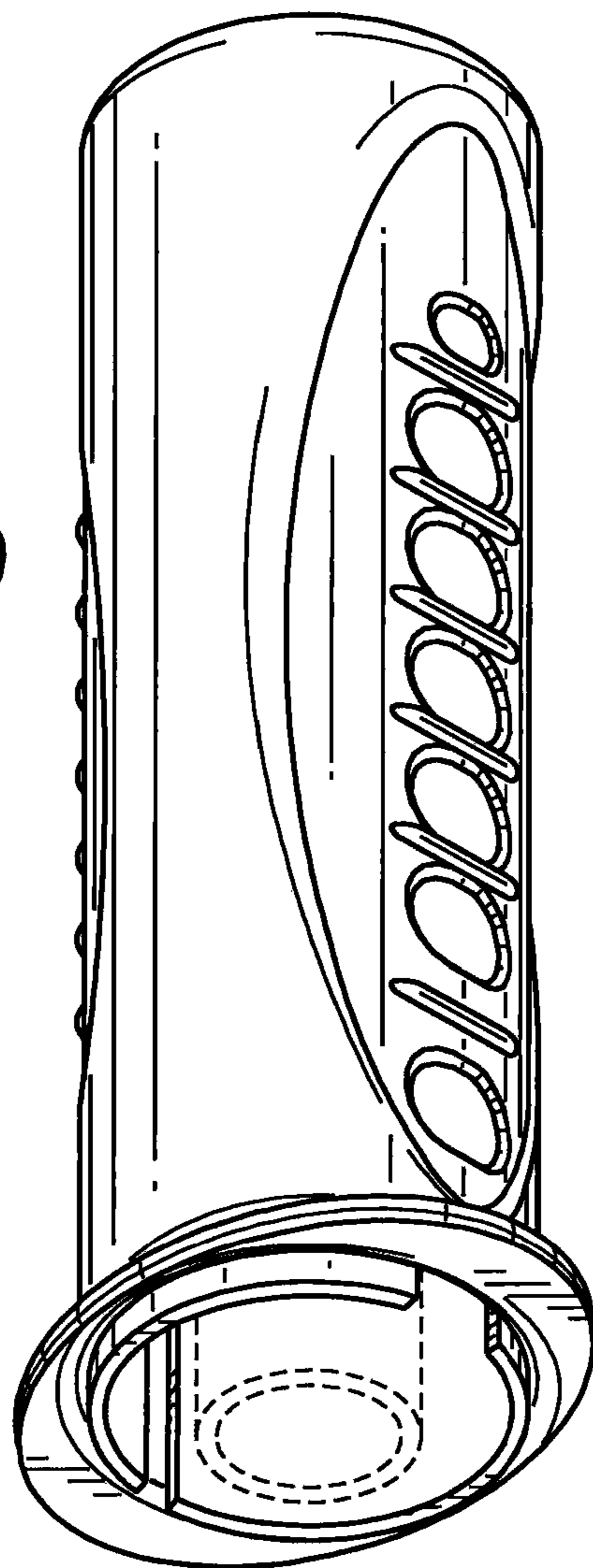


FIG. 8

FIG. 9



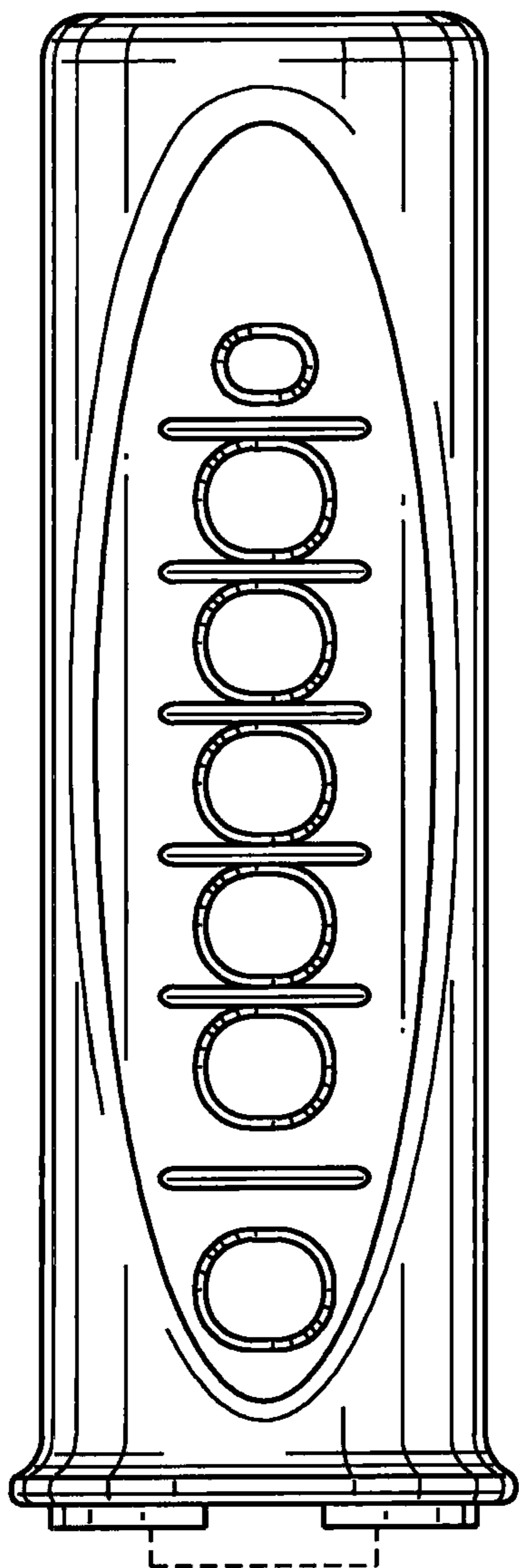


FIG. 10

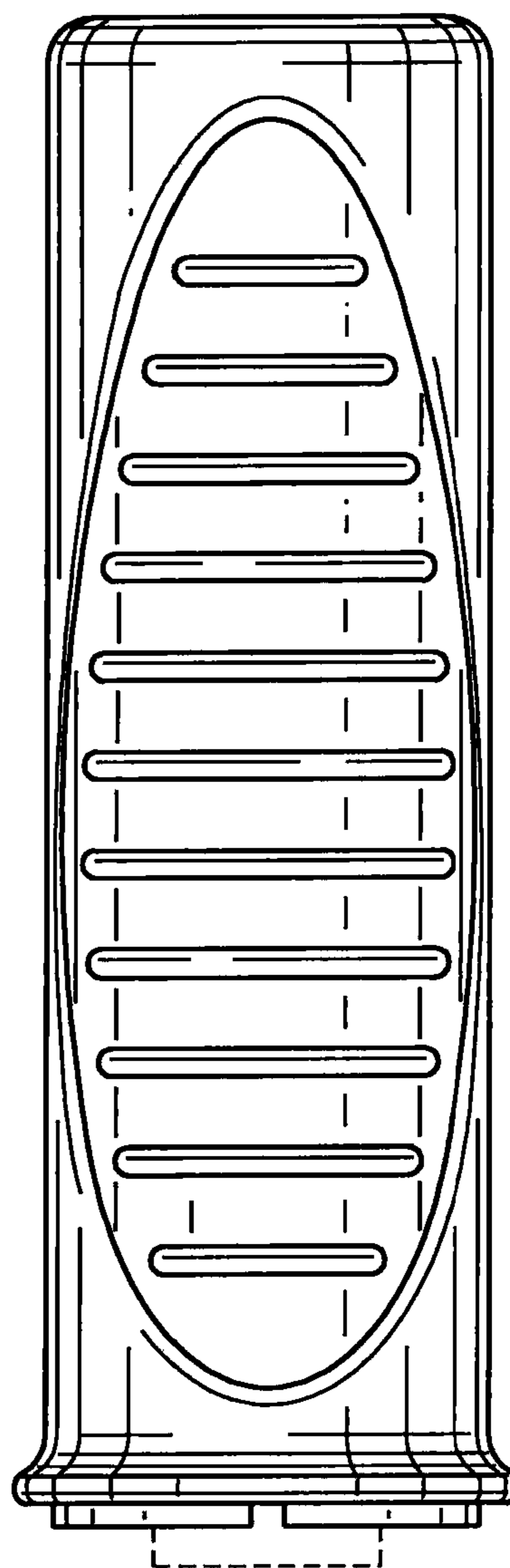


FIG. 11

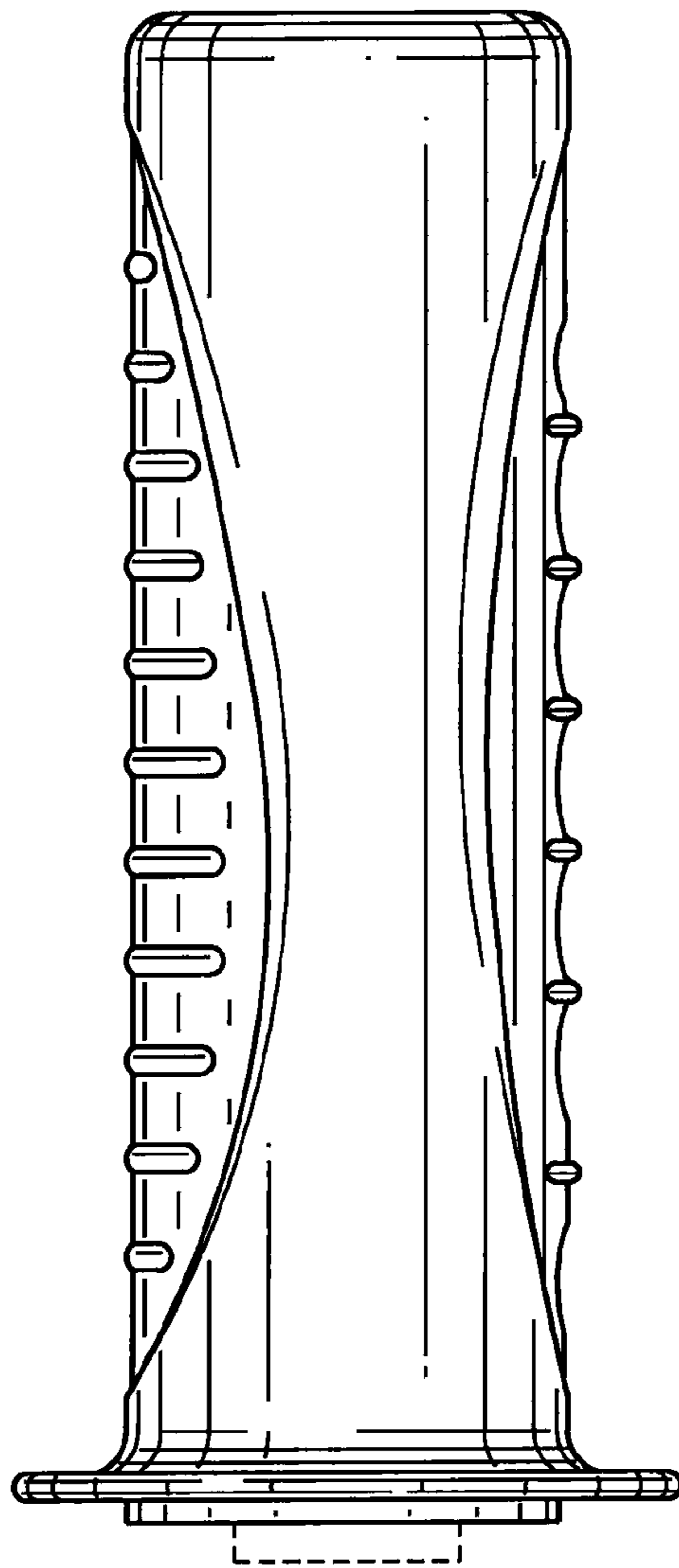


FIG. 12

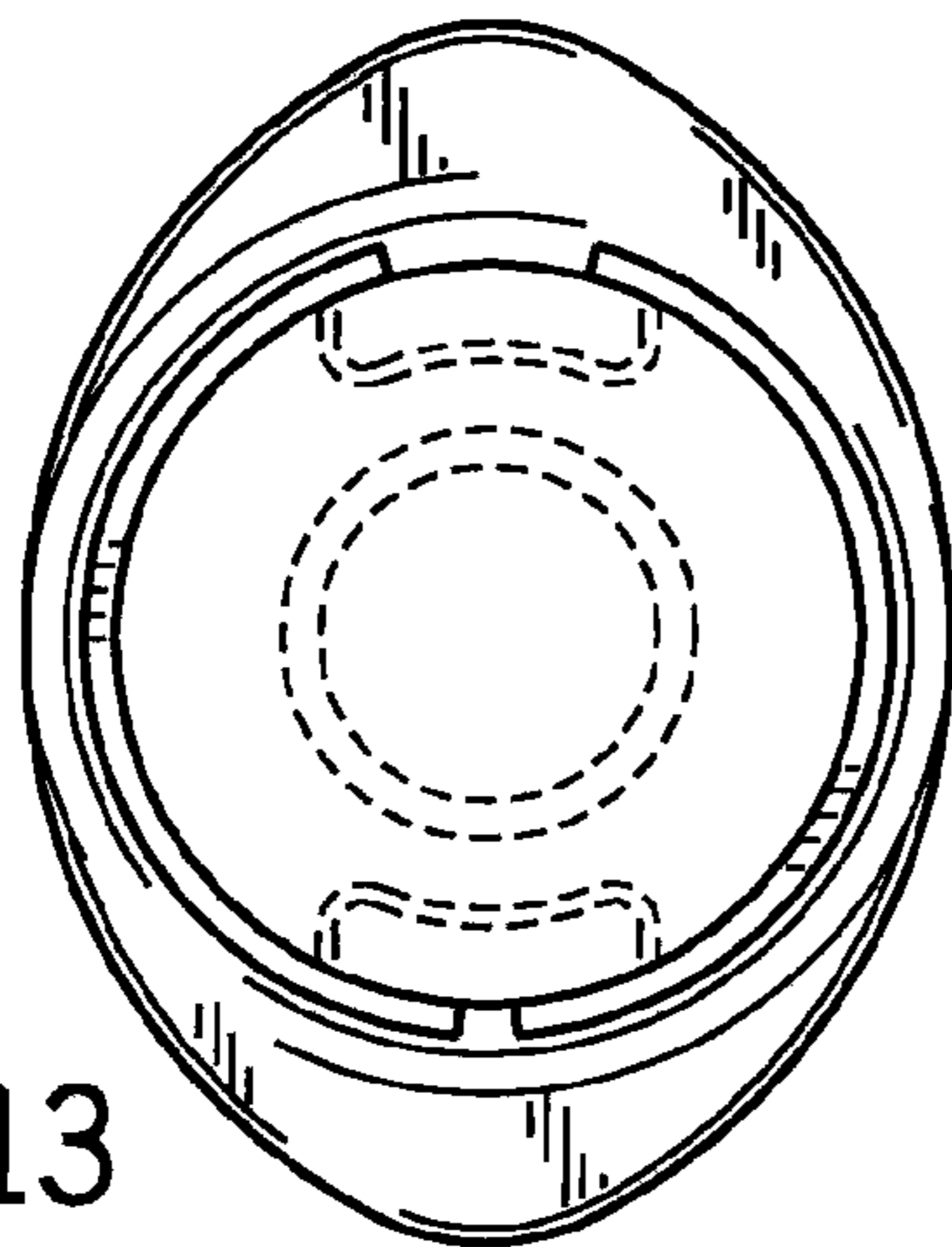


FIG. 13

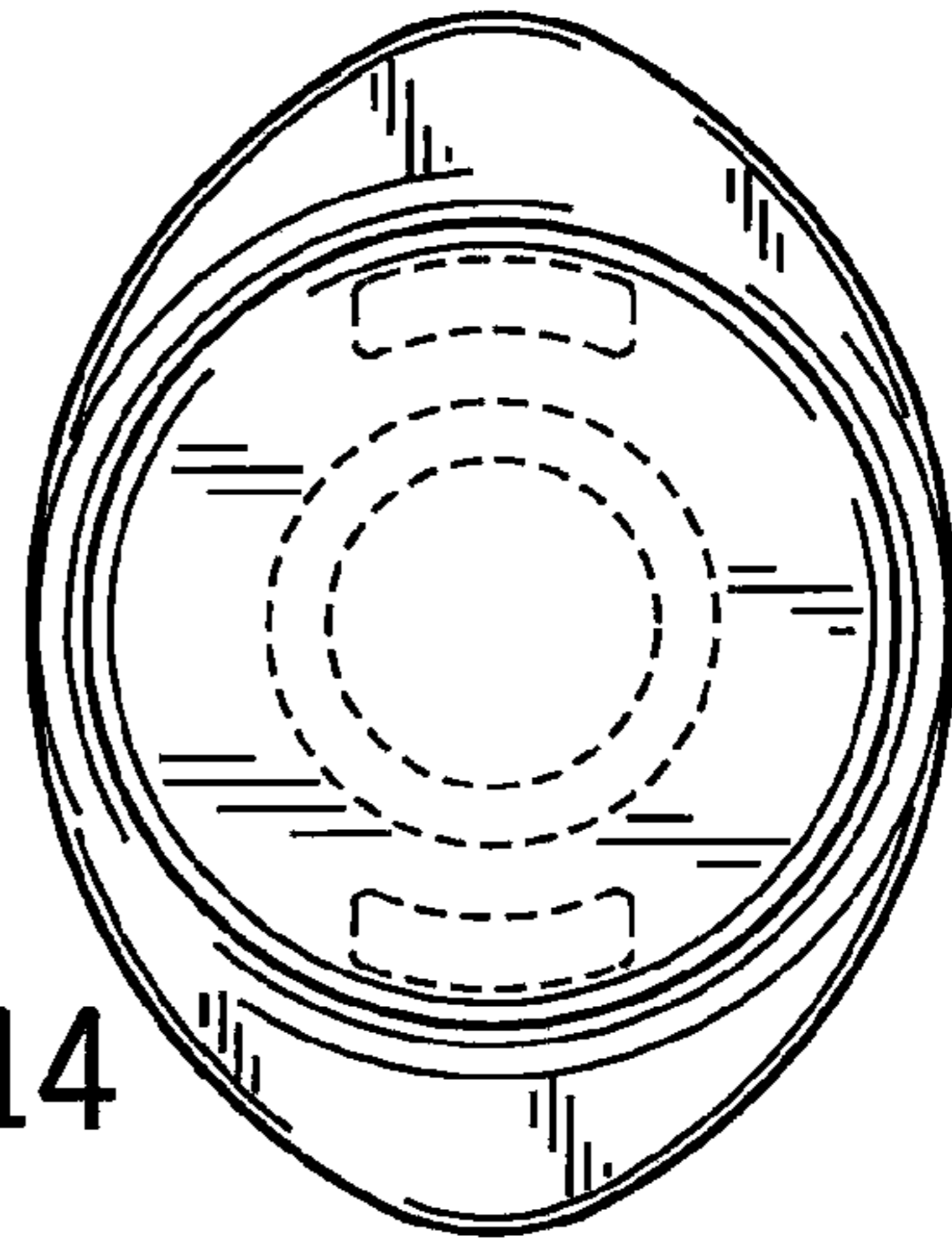


FIG. 14