



US00D596032S

(12) **United States Design Patent**  
**Shin et al.**

(10) **Patent No.:** **US D596,032 S**  
(45) **Date of Patent:** **\*\* Jul. 14, 2009**

(54) **PRODUCT DISPENSER**

(75) Inventors: **Daniel H. J. Shin**, Chicago, IL (US);  
**Kristy L. Stojek**, Chicago, IL (US)

(73) Assignee: **Wm. Wrigley Jr. Company**, Chicago, IL (US)

(\*\*) Term: **14 Years**

(21) Appl. No.: **29/277,051**

(22) Filed: **Feb. 12, 2007**

(51) **LOC (9) Cl.** ..... **09-01**

(52) **U.S. Cl.** ..... **D9/504; D9/529; D9/449;**  
**D9/453**

(58) **Field of Classification Search** ..... D9/682-694,  
D9/774, 516, 529, 537-539, 549, 556, 558,  
D9/901, 902, 905, 420, 424, 428, 443, 453;  
215/382-384; 222/211-213; 220/660, 669-673;  
D34/7

See application file for complete search history.

(56) **References Cited**

**U.S. PATENT DOCUMENTS**

1,237,016	A	*	8/1917	Brown	.....	220/825
D203,137	S	*	12/1965	Braun	.....	D9/420
D271,090	S	*	10/1983	Edgar et al.	.....	D11/131
D366,418	S	*	1/1996	Lown et al.	.....	D9/449
D373,084	S	*	8/1996	Choi	.....	
D398,852	S	*	9/1998	Gross	.....	D9/453
D446,456	S	*	8/2001	Adachi et al.	.....	
D453,252	S	*	1/2002	Lin	.....	D34/9
6,345,725	B1	*	2/2002	Lin	.....	220/263
D470,290	S	*	2/2003	Harvey	.....	D34/11
D474,405	S	*	5/2003	Togasawa	.....	
D482,509	S	*	11/2003	Lin	.....	D34/39
D490,708	S	*	6/2004	Lown	.....	D9/438
D495,186	S	*	8/2004	Poupel et al.	.....	D7/300.1
D503,075	S	*	3/2005	Martin	.....	
D506,930	S	*	7/2005	Cauwood et al.	.....	D9/522
D507,753	S	*	7/2005	Lamb et al.	.....	
D509,434	S	*	9/2005	Haruta	.....	
D517,761	S	*	3/2006	Yang et al.	.....	D34/7

D540,170	S	*	4/2007	Canamasas Puigbo	.....	D9/504
D548,589	S	*	8/2007	Blasko et al.	.....	D9/428
D549,095	S	*	8/2007	Blasko et al.	.....	D9/428
D551,962	S	*	10/2007	Blasko et al.	.....	D9/428
D552,473	S	*	10/2007	Simkin	.....	D9/516 X
D552,993	S	*	10/2007	Rathbone et al.	.....	D9/504
D566,369	S	*	4/2008	Shek	.....	D34/11

**OTHER PUBLICATIONS**

U.S. Appl. No. 29/243,980, Rathbone, et al.

\* cited by examiner

*Primary Examiner*—Carol Rademaker

(74) *Attorney, Agent, or Firm*—Rebecca A. Aumann

(57) **CLAIM**

The ornamental design for a product dispenser, as shown and described.

**DESCRIPTION**

FIG. 1 is a top, front, and right side perspective view showing our new design;

FIG. 2 top, rear, and left side perspective view thereof;

FIG. 3 is a top plan view thereof;

FIG. 4 is a bottom plan view thereof;

FIG. 5 is a rear elevational view thereof;

FIG. 6 is a front elevational view thereof;

FIG. 7 is a left side elevational view thereof;

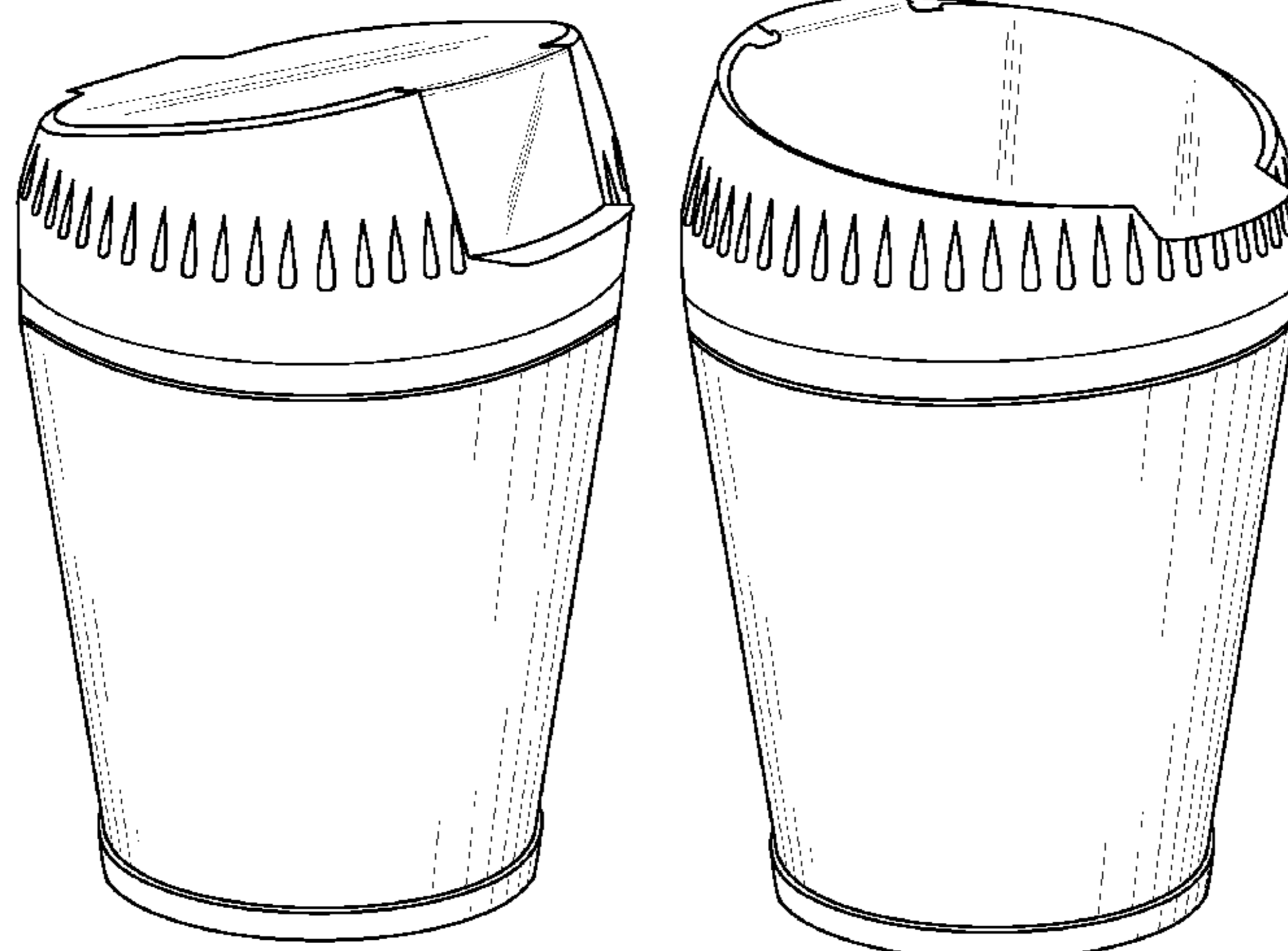
FIG. 8 is a right side elevational view thereof;

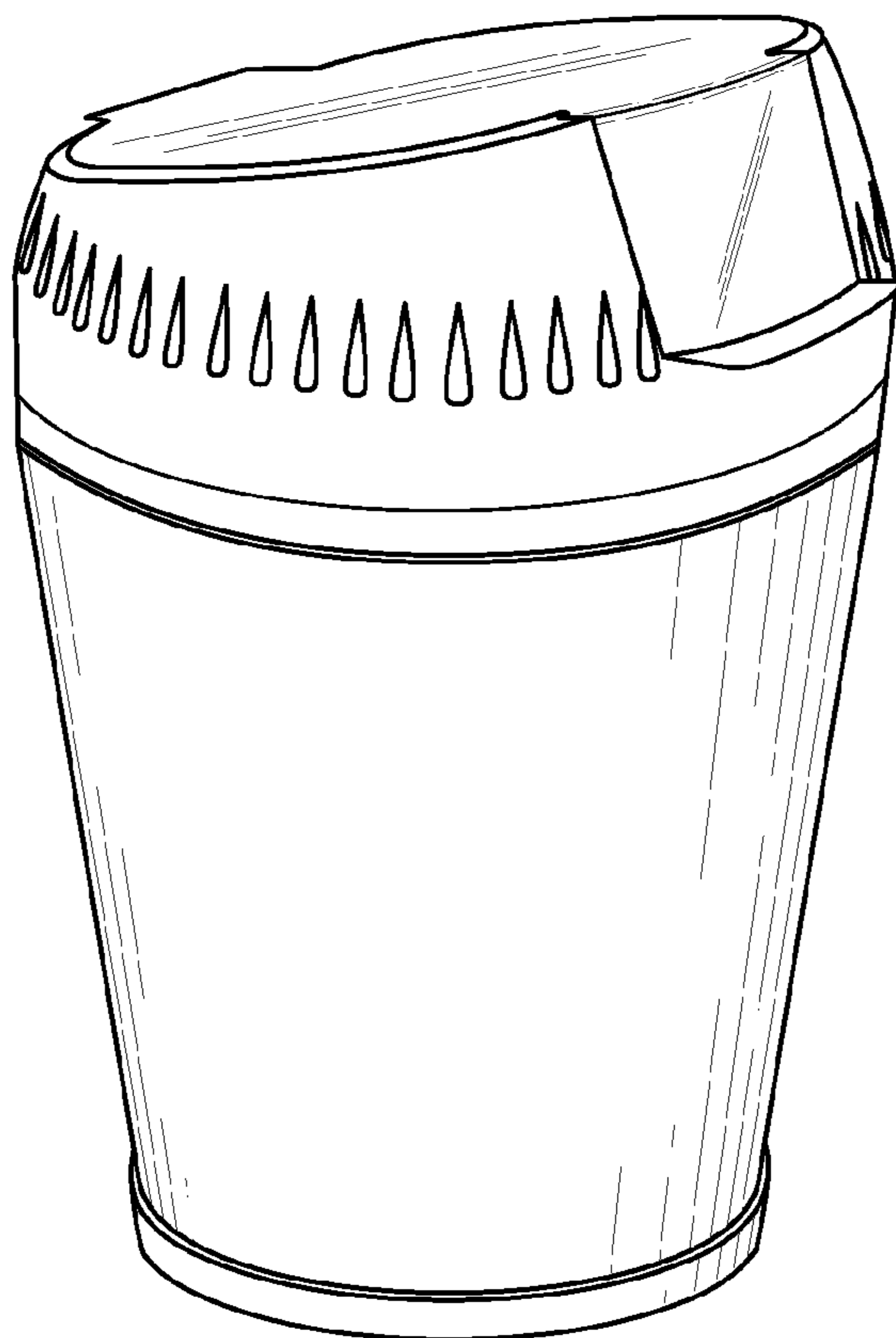
FIG. 9 is a top, rear, and left side perspective view thereof wherein a portion of the cover is shown in an open position; and,

FIG. 10 is a top, front, and left side perspective wherein the opener portion of the cover is shown in an open position.

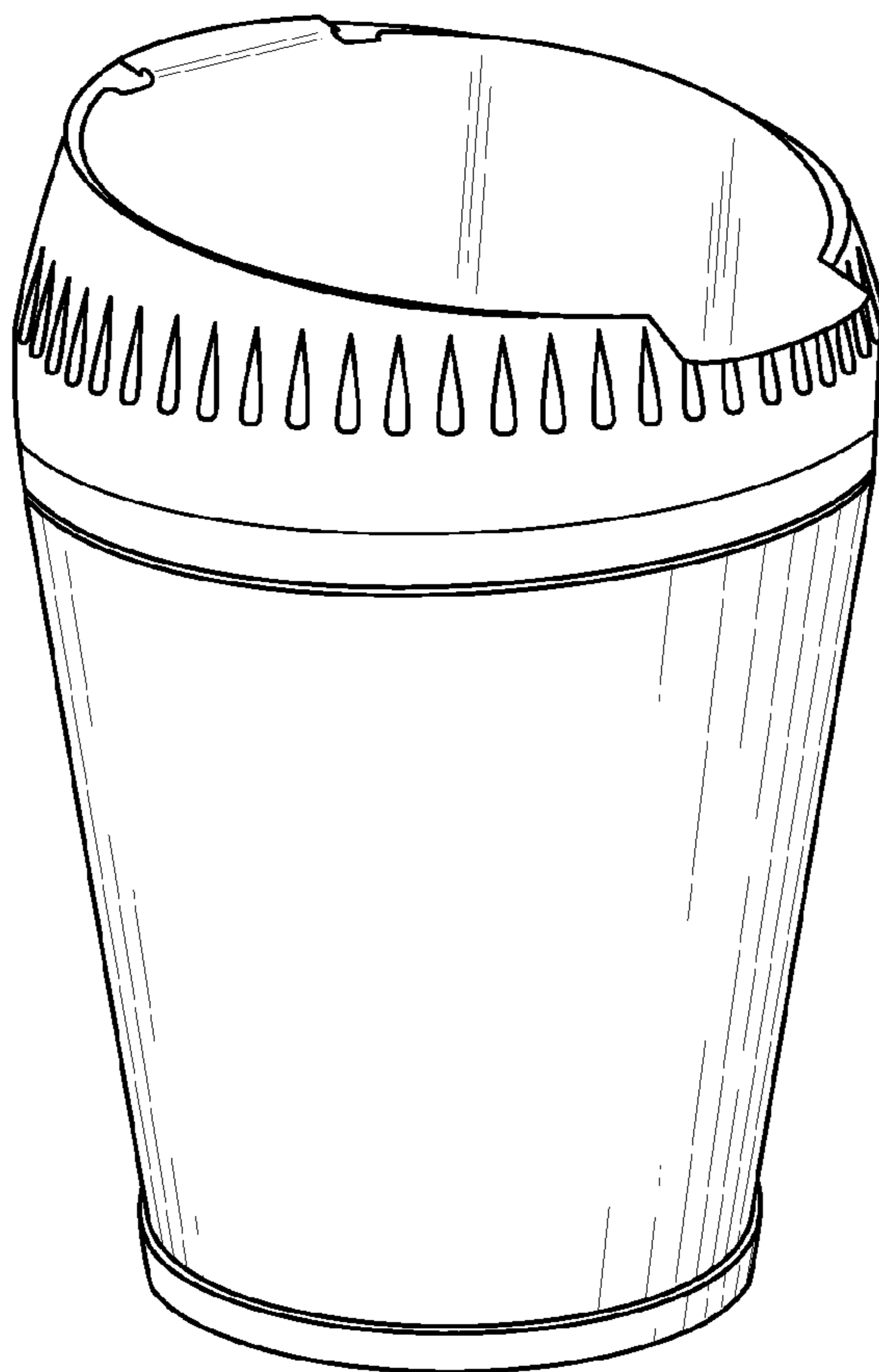
The broken lines shown in the drawings are included for the purpose of illustrating environmental structure that forms no part of the claimed design.

**1 Claim, 5 Drawing Sheets**

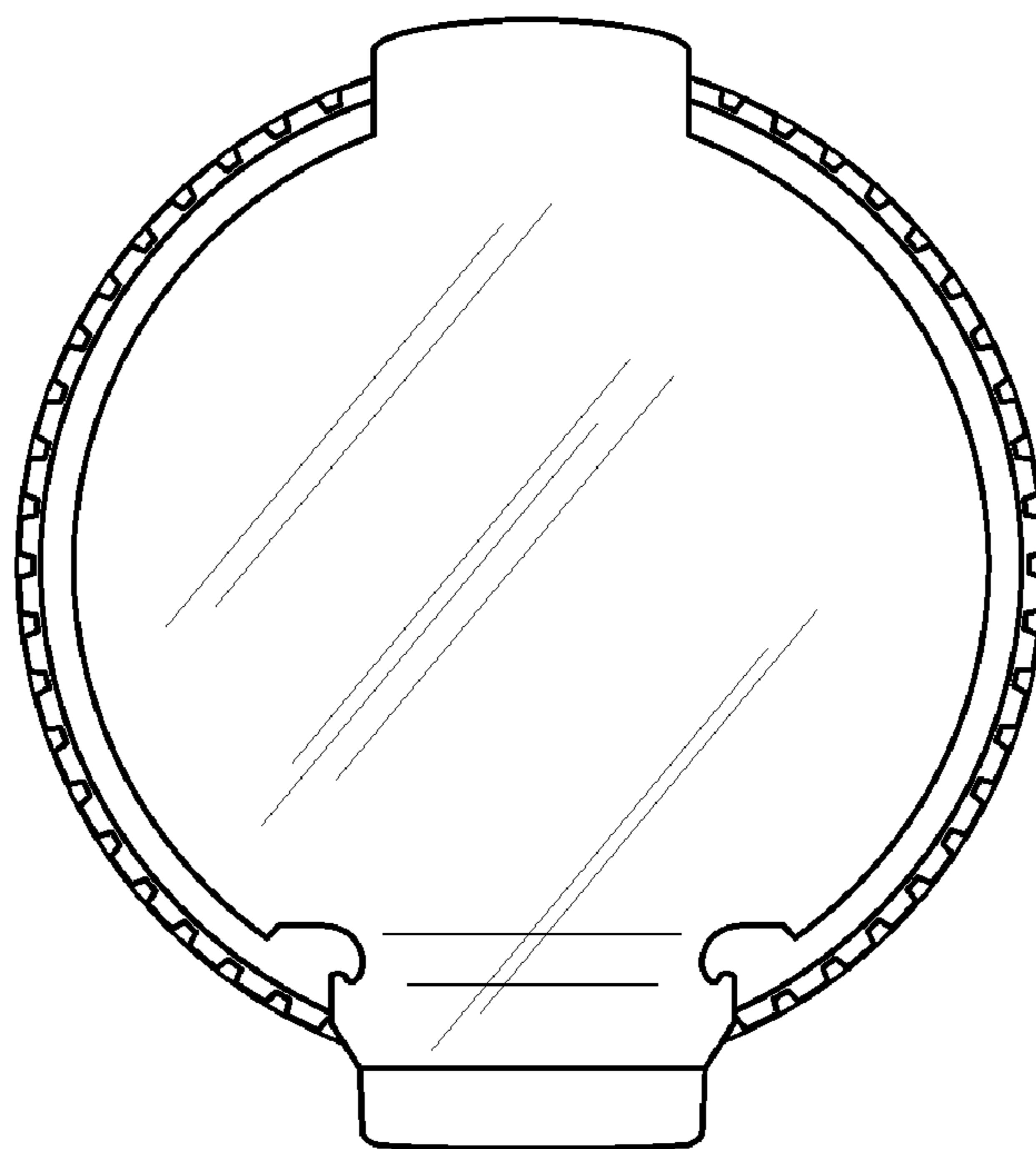




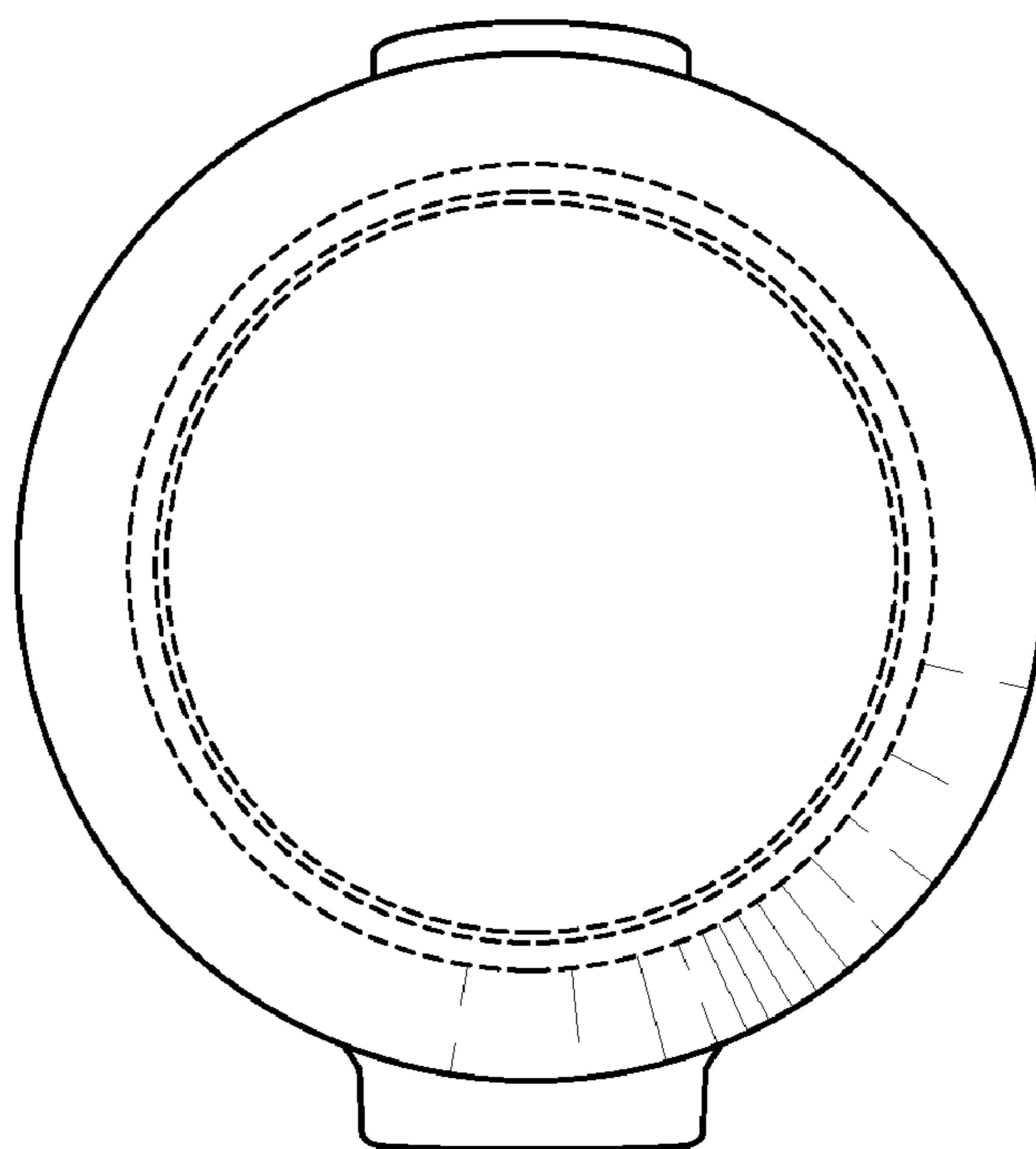
**FIG. 1**



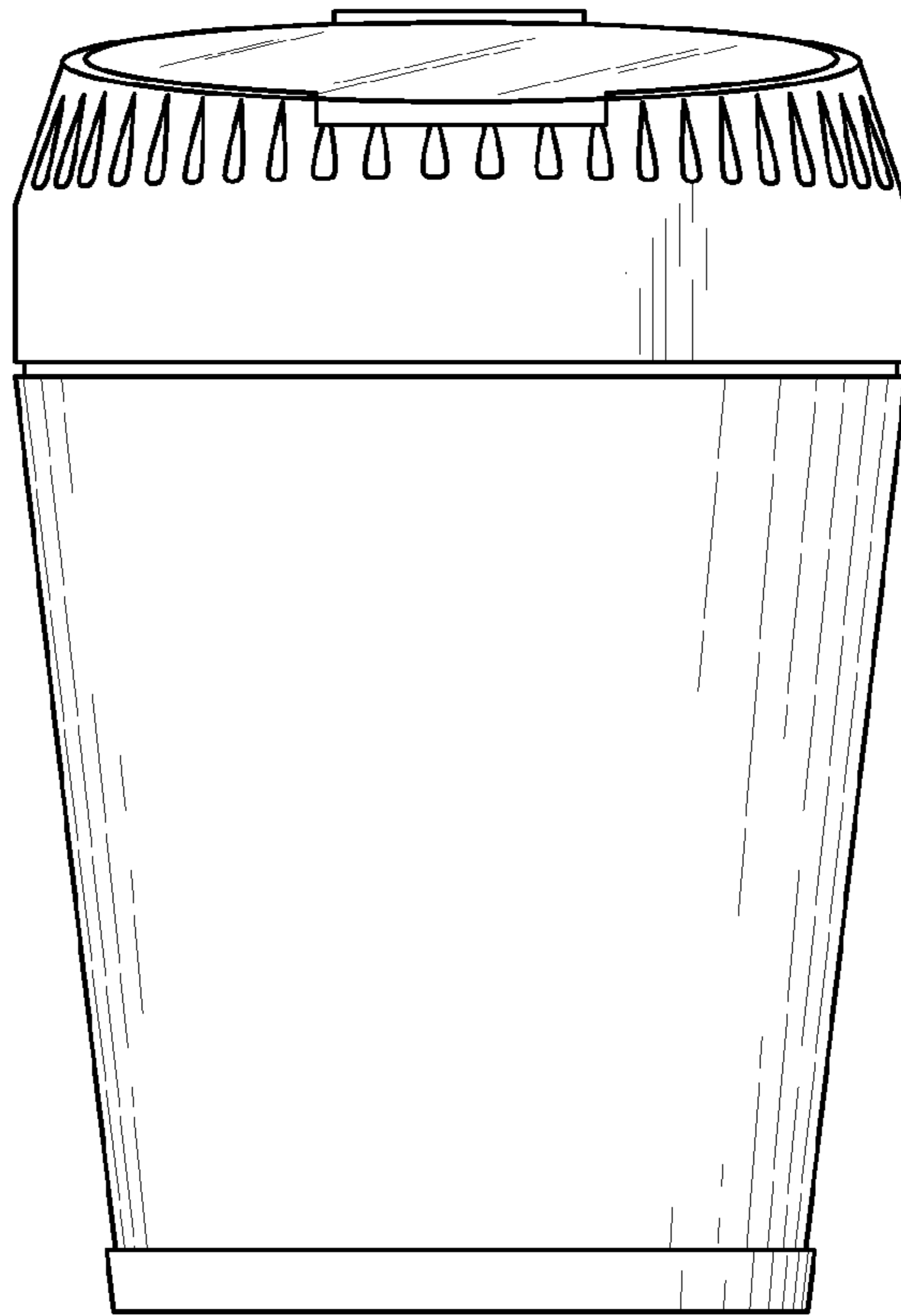
**FIG. 2**



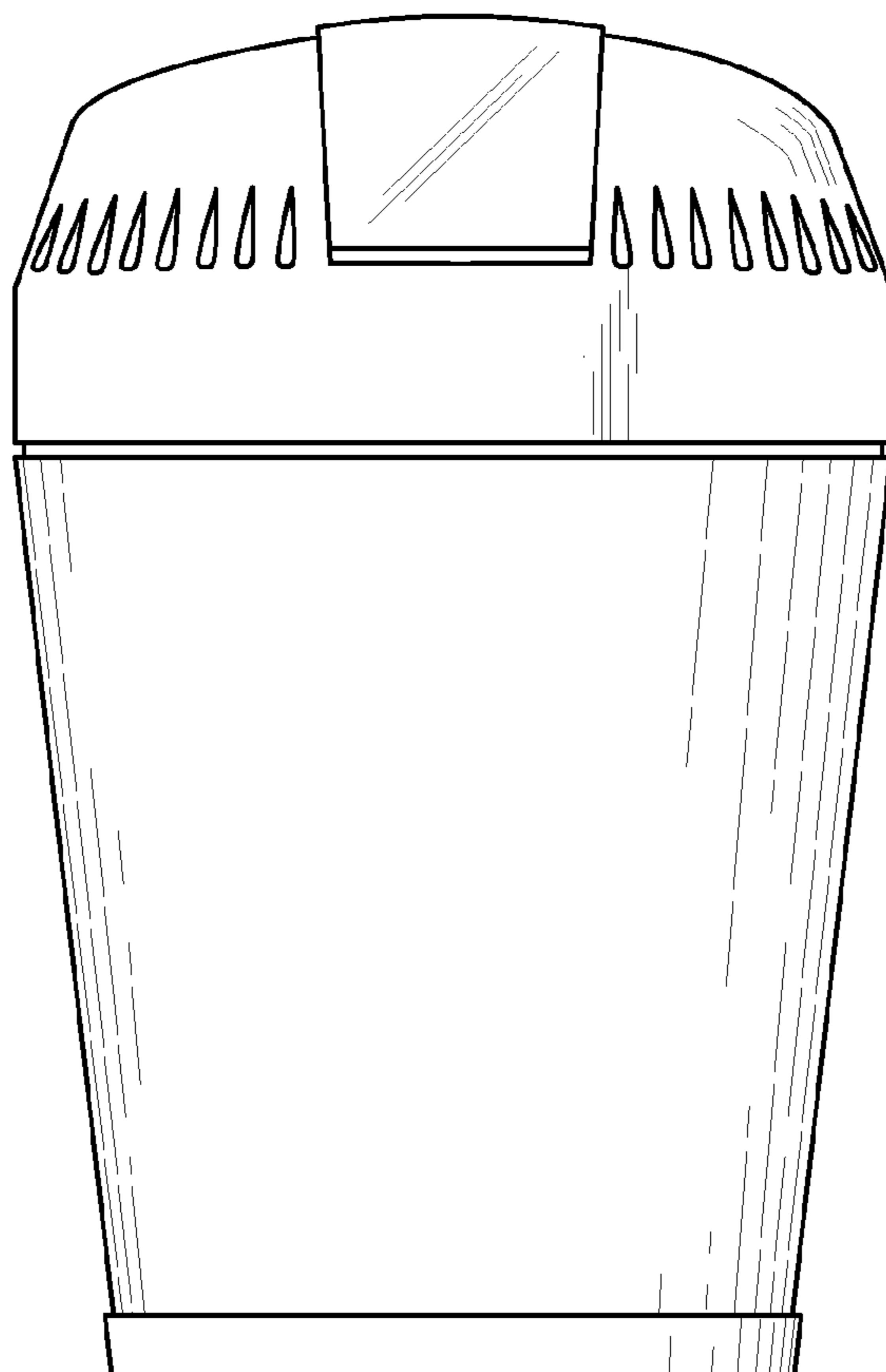
**FIG. 3**



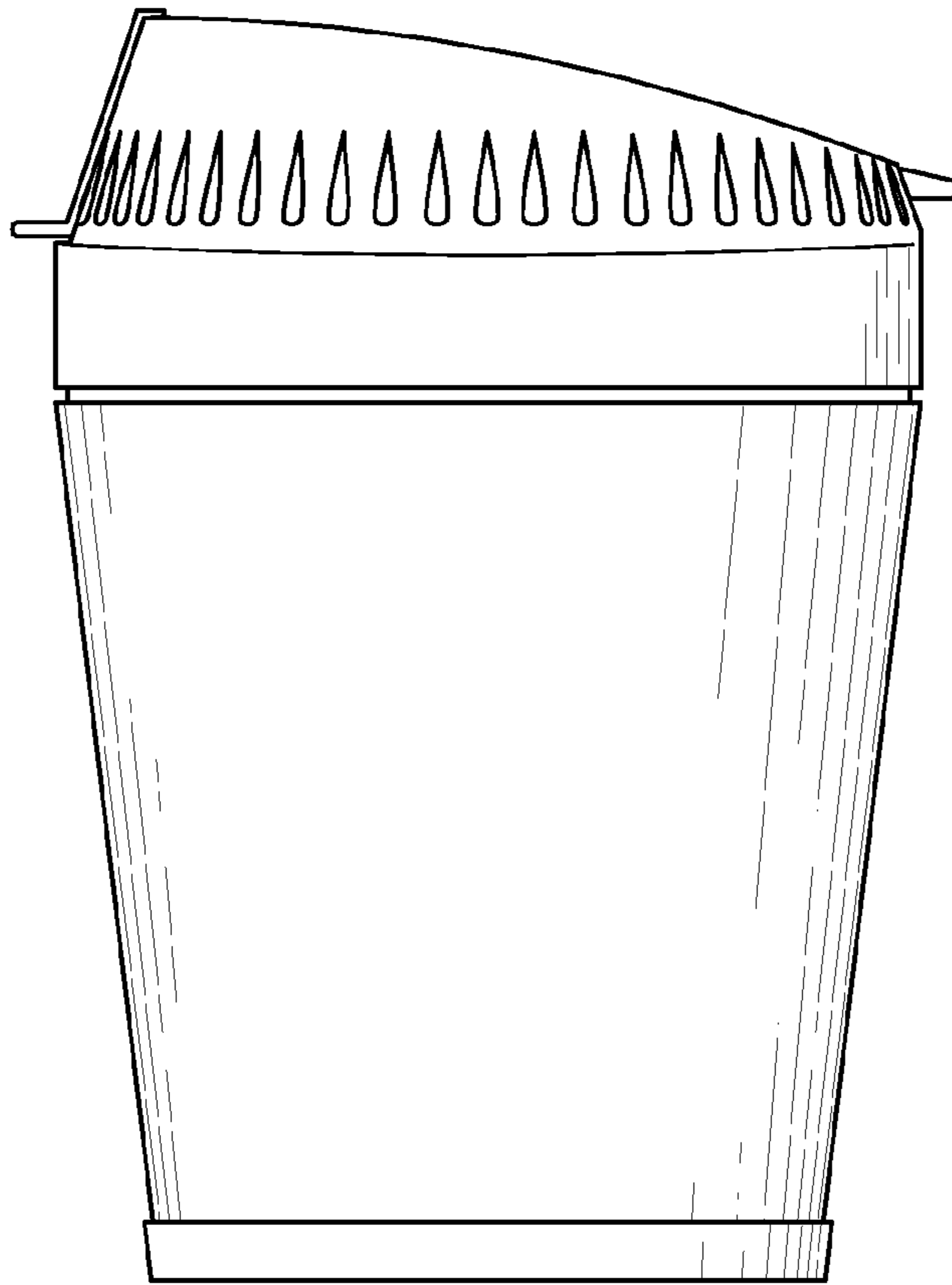
**FIG. 4**



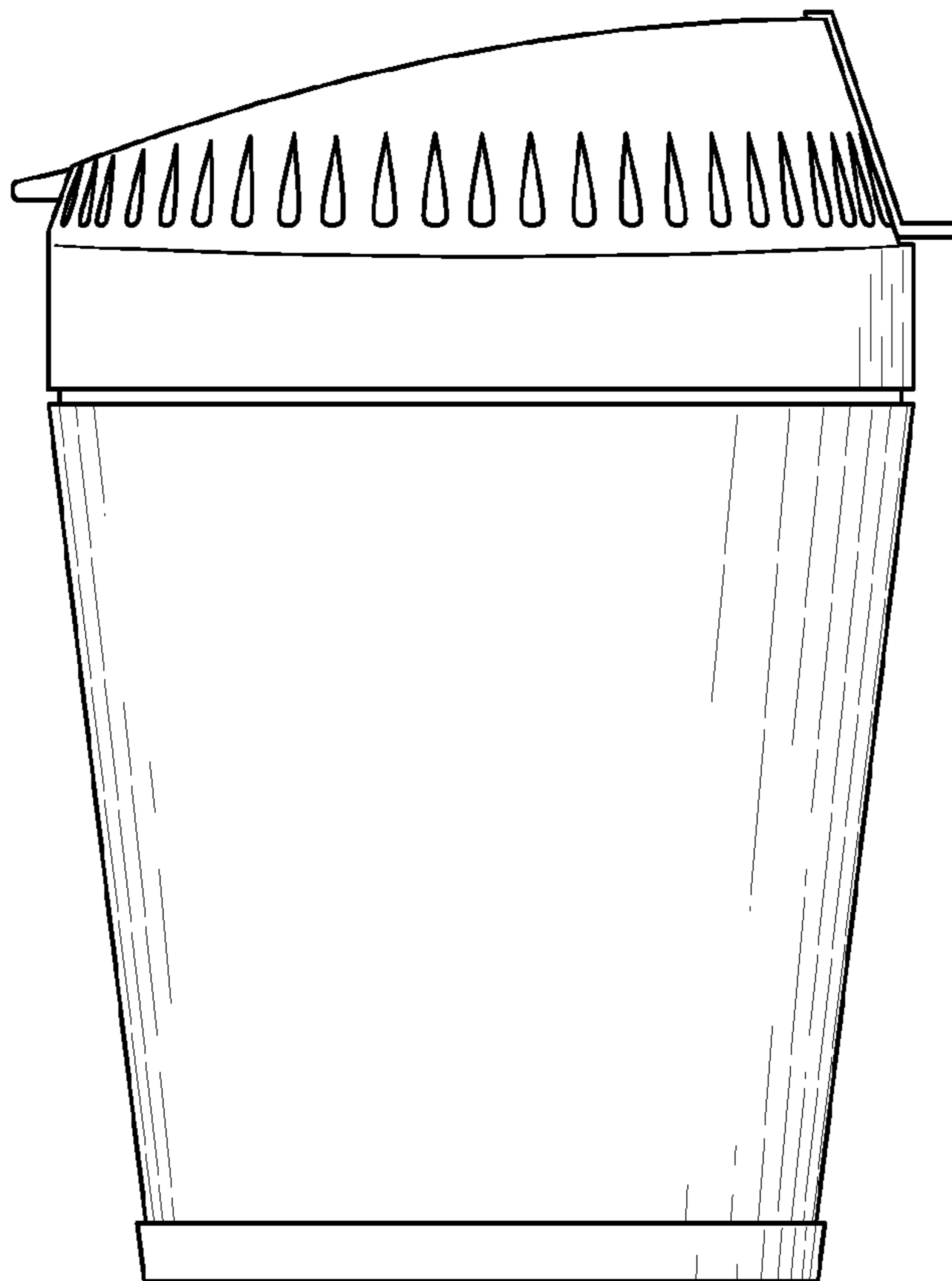
**FIG. 5**



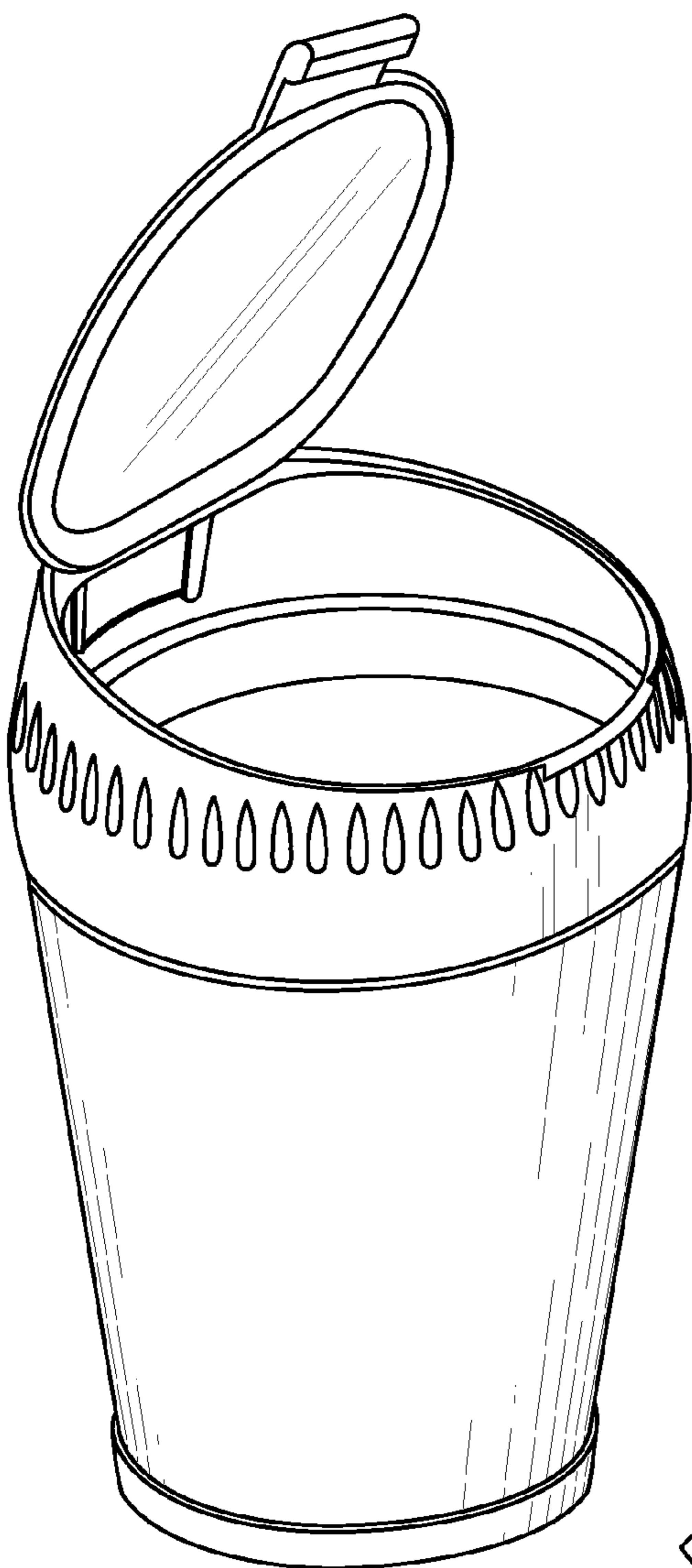
**FIG. 6**



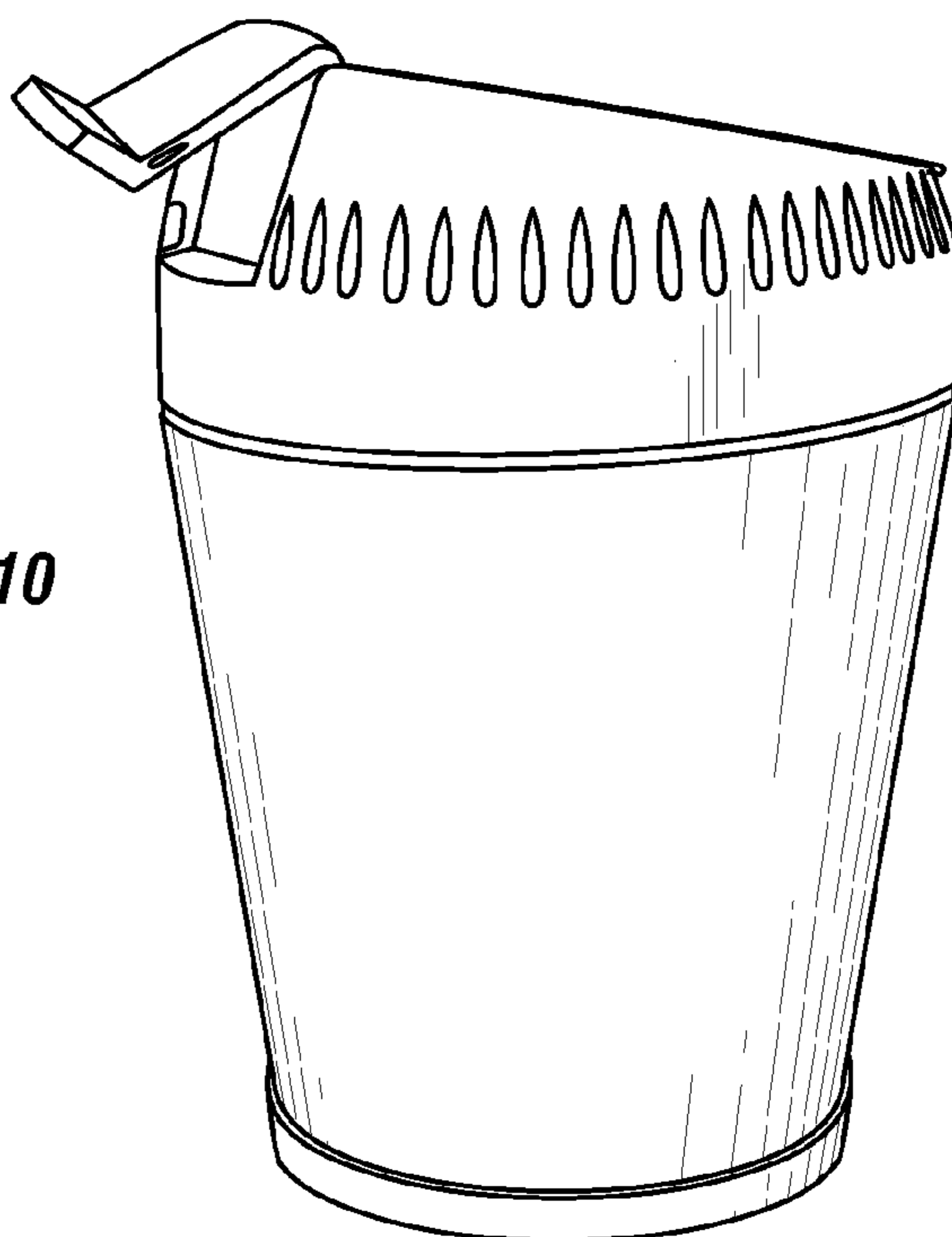
**FIG. 7**



**FIG. 8**



**FIG. 9**



**FIG. 10**