

US00D596029S

(12) **United States Design Patent**  
**Parve**

(10) **Patent No.:** **US D596,029 S**  
(45) **Date of Patent:** **\*\* Jul. 14, 2009**

(54) **CLOSURE FOR A CONTAINER**

3,018,931 A 1/1962 Westgate

(75) Inventor: **Terrence M. Parve**, Menomonee Falls, WI (US)

(Continued)

(73) Assignee: **Gateway Plastics, Inc.**, Mequon, WI (US)

**OTHER PUBLICATIONS**

Graphic Images: Closure #2, 1 page.

(\*\*) Term: **14 Years**

(Continued)

*Primary Examiner*—Susan Bennett Hattan

(21) Appl. No.: **29/312,897**

(74) *Attorney, Agent, or Firm*—Foley & Lardner LLP

(22) Filed: **Aug. 1, 2008**

(57) **CLAIM**

We claim the ornamental design for a closure for a container, as shown and described.

**Related U.S. Application Data**

(63) Continuation of application No. 29/261,784, filed on Jun. 20, 2006, now abandoned.

**DESCRIPTION**

(51) **LOC (9) Cl.** ..... **09-07**

FIG. 1 is a top perspective view of the closure for a container;

(52) **U.S. Cl.** ..... **D9/453; D9/499**

FIG. 2 is a bottom perspective view of the closure for a container;

(58) **Field of Classification Search** ..... D9/454,

FIG. 3 is a top view of the closure for a container;

D9/450, 449, 447, 446, 428, 435, 423, 421,

FIG. 4 is a front view of the closure for a container;

D9/420, 453; D7/900, 401.1, 396.1, 392;

FIG. 5 is a bottom view of the closure for a container;

229/207; D6/518; D34/11, 7, 13; D3/323;

FIG. 6 is a left side view of the closure for a container, the right side view being a mirror image;

222/480, 256; 220/812, 810, 480, 345.1,

FIG. 7 is a top perspective view of the closure for a container in an open position;

220/256.1, 253, 213, 322, 306, 236, 235

See application file for complete search history.

FIG. 8 is a top view of the closure for a container in an open position;

(56) **References Cited**

**U.S. PATENT DOCUMENTS**

181,615 A	8/1876	Albertson
199,896 A	2/1878	Burger
847,726 A	3/1907	Brannon
947,025 A	1/1910	Pearl et al.
1,330,365 A	2/1920	Alexander
1,773,553 A	8/1930	Taylor et al.
2,108,063 A	2/1938	Hothersall
D110,872 S	8/1938	Lewis
2,177,589 A	10/1939	Jacker
2,562,647 A	7/1951	Shaver
2,576,416 A	11/1951	Randlett
2,690,861 A	10/1954	Tupper
2,894,654 A	7/1959	Lohrer

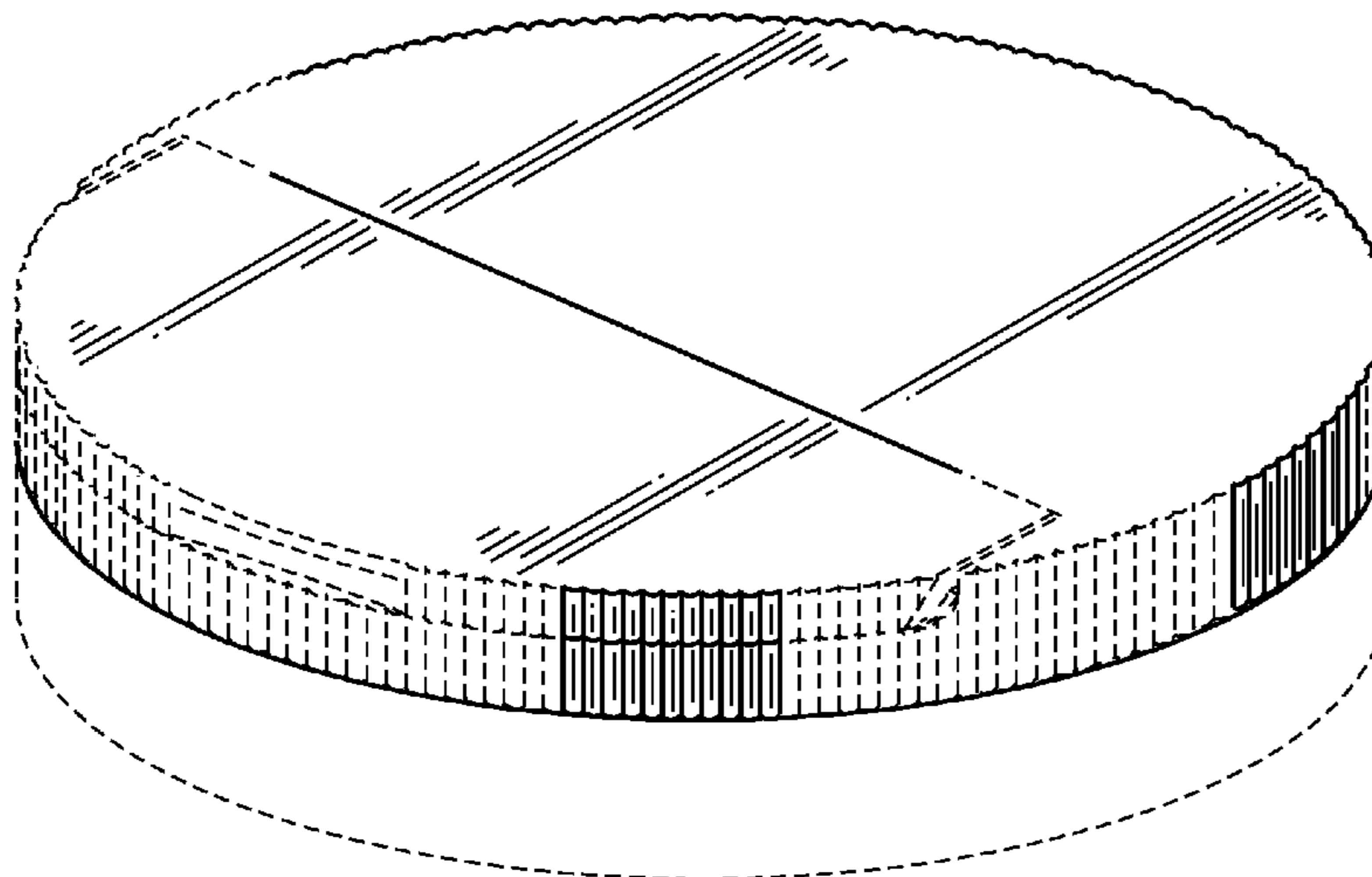
FIG. 9 is a detailed top view of a portion of the closure for a container, taken at the area marked 9—9 on FIG. 8;

FIG. 10 is a front view of the closure for a container in an open position; and,

FIG. 11 is a left side view of the closure for a container in an open position, the right side view being a mirror image.

The broken lines in the drawings are for illustrative purposes only and form no part of the claimed design.

**1 Claim, 6 Drawing Sheets**



# US D596,029 S

U.S. PATENT DOCUMENTS					
3,100,589	A	8/1963 Love, Jr.	D321,476	S	11/1991 Alcover
3,113,693	A	12/1963 Stull	D323,461	S	1/1992 Beck
3,140,019	A	7/1964 Barr	D323,462	S	1/1992 Beck
3,155,285	A	11/1964 Van Baarn	D324,175	S	2/1992 Beck
3,180,537	A	4/1965 Collins	5,085,331	A *	2/1992 Groya et al. .... 215/245
3,262,606	A	7/1966 Waterman	5,129,531	A	7/1992 Beck et al.
3,322,308	A	5/1967 Foster	5,167,338	A	12/1992 Kick
3,323,671	A	6/1967 Minarik, Jr. et al.	5,197,634	A	3/1993 Beck
3,372,832	A	3/1968 Yeater et al.	5,211,301	A	5/1993 Groya et al.
3,486,665	A	12/1969 La Croce	5,215,204	A	6/1993 Beck et al.
D218,289	S	8/1970 Posada	5,219,100	A	6/1993 Beck et al.
3,542,235	A	11/1970 Hidding	D339,065	S	9/1993 Forsyth et al.
3,741,377	A	6/1973 Krellen	D340,187	S	10/1993 Forsyth
D245,750	S	9/1977 Maclean	D340,188	S *	10/1993 Forsyth ..... D9/449
4,082,201	A	4/1978 Bittel	5,282,540	A	2/1994 Beck
4,106,672	A	8/1978 Tecco et al.	5,297,688	A	3/1994 Beck et al.
4,120,432	A	10/1978 Fuchs	5,305,931	A	4/1994 Martin et al.
4,170,315	A	10/1979 Dubach et al.	D346,958	S	5/1994 Olson
D255,326	S	6/1980 Pettengill	D347,974	S	6/1994 McBride
4,253,587	A	3/1981 Otterson	5,328,063	A	7/1994 Beck et al.
4,274,563	A	6/1981 Otterson	5,330,082	A	7/1994 Forsyth
4,280,636	A	7/1981 Lewis	5,339,993	A	8/1994 Groya et al.
4,284,200	A	8/1981 Bush et al.	5,467,879	A	11/1995 Moore
4,291,818	A	9/1981 Nozawa et al.	5,494,200	A	2/1996 Sheffler et al.
4,346,823	A	8/1982 Eppenbach	5,507,419	A	4/1996 Martin et al.
D266,390	S	10/1982 Haner	5,509,582	A	4/1996 Robbins, III
4,359,171	A	11/1982 Lewis	5,511,679	A	4/1996 Beck
4,361,250	A	11/1982 Foster	5,542,579	A	8/1996 Robbins, III
4,369,901	A	1/1983 Hidding	5,566,850	A	10/1996 Forsyth et al.
4,463,869	A	8/1984 Lewis	5,601,213	A	2/1997 Daniello
D276,981	S *	1/1985 Cleevely ..... D9/449	5,667,089	A	9/1997 Moore
4,494,679	A	1/1985 Cleevely	5,680,968	A	10/1997 Moore
4,538,731	A	9/1985 Cillario	D385,791	S	11/1997 Forsyth et al.
4,545,495	A	10/1985 Kinsley	5,743,444	A	4/1998 Beck et al.
4,545,508	A	10/1985 Cribb, Jr. et al.	5,829,609	A	11/1998 Beck
4,580,687	A	4/1986 Lewis	5,829,611	A	11/1998 Beck
4,610,371	A	9/1986 Karkiewicz	5,842,592	A	12/1998 Beck
4,611,725	A	9/1986 Kacalief	5,875,907	A	3/1999 Lay
4,621,744	A	11/1986 Foster	5,971,231	A	10/1999 Samz et al.
4,648,528	A	3/1987 LaBarge et al.	5,975,368	A	11/1999 Wood
4,651,885	A	3/1987 Gach	5,996,859	A	12/1999 Beck
4,658,980	A	4/1987 Lindstrom	D419,069	S	1/2000 Beck et al.
4,693,399	A	9/1987 Hickman et al.	6,024,256	A	2/2000 Beck et al.
4,714,181	A	12/1987 Kozlowski et al.	6,102,257	A	8/2000 Goyet
4,723,693	A	2/1988 DeCoster	6,158,632	A	12/2000 Ekkert
4,739,906	A	4/1988 LoTurco	6,164,503	A	12/2000 Forsyth et al.
4,792,054	A	12/1988 Weidman	6,170,664	B1	1/2001 Dar
4,793,501	A	12/1988 Beck	D440,156	S	4/2001 Lonczak et al.
4,793,502	A	12/1988 Beck	6,250,517	B1	6/2001 Samz et al.
4,823,995	A	4/1989 Lewis	D448,296	S *	9/2001 Bried et al. .... D9/449
4,848,612	A	7/1989 Beck	6,283,317	B1	9/2001 Benoit-gonin et al.
4,881,668	A *	11/1989 Kitterman et al. .... 222/482	6,289,906	B1	9/2001 Vanden Dries et al.
D305,206	S	12/1989 Hickman et al.	6,299,033	B1	10/2001 VerWeyst et al.
4,898,292	A	2/1990 VerWeyst et al.	6,308,870	B2	10/2001 Samz et al.
D306,563	S	3/1990 Johnson	6,321,923	B1	11/2001 Wood
D306,701	S	3/1990 Beck	6,325,231	B1	12/2001 Ketting et al.
4,927,065	A	5/1990 Beck	6,332,551	B1	12/2001 Copeland
4,936,494	A	6/1990 Weidman	RE37,634	E	4/2002 Hickman et al.
4,940,167	A	7/1990 Fillmore et al.	6,382,476	B1	5/2002 Randall et al.
4,955,513	A	9/1990 Bennett	6,405,885	B1	6/2002 Elliott
4,967,941	A	11/1990 Beck	6,439,410	B1	8/2002 Dubach
4,984,716	A	1/1991 Beck	6,460,712	B2	10/2002 Smith et al.
4,993,606	A	2/1991 Bolen, Jr. et al.	6,460,718	B1	10/2002 Vogel
5,007,555	A	4/1991 Beck	6,460,726	B1	10/2002 Hierzer et al.
5,016,787	A	5/1991 Beck	6,464,113	B1	10/2002 Vogel
D318,778	S *	8/1991 Fiore et al. .... D7/591	6,474,491	B1	11/2002 Benoit-Gonin et al.
D319,588	S	9/1991 Beck	6,477,743	B1	11/2002 Gross et al.
5,048,730	A	9/1991 Forsyth et al.	6,481,589	B2	11/2002 Blomdahl et al.
D320,739	S	10/1991 Camus	6,488,187	B2	12/2002 Sheffler et al.
D320,746	S *	10/1991 Bolen et al. .... D9/446	6,494,346	B2	12/2002 Gross et al.
5,052,572	A	10/1991 Pherigo			

# US D596,029 S

Page 3

---

6,508,373 B1 1/2003 Robinson  
6,510,971 B1 1/2003 Martin  
D508,402 S \* 8/2005 Hierzer et al. .... D9/449  
D513,585 S \* 1/2006 Biesecker et al. .... D9/449  
D529,800 S \* 10/2006 Liebe ..... D9/449  
D530,610 S \* 10/2006 Samz et al. .... D9/447  
D532,691 S \* 11/2006 Vogel ..... D9/435  
D533,781 S \* 12/2006 Freisem et al. .... D9/453

## OTHER PUBLICATIONS

Graphic Images: Closure #3, 1 page.  
Graphic Images: Closure #5, 1 page.  
Graphic Images: Closure #10, 1 page.  
Graphic Images: Closure #11, 2 pages.  
Graphic Images: Closure #12, 1 page.

\* cited by examiner

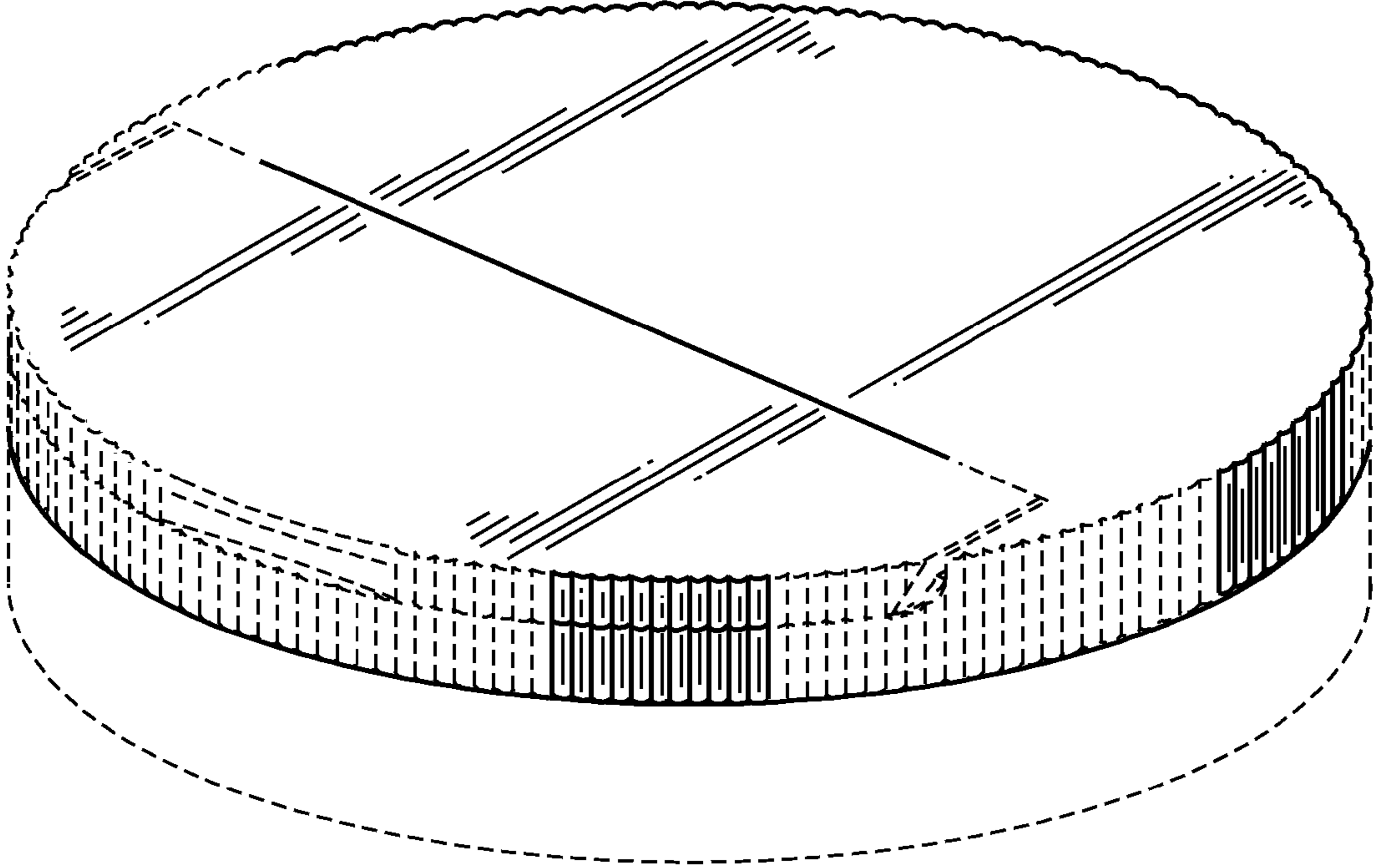


FIG. 1

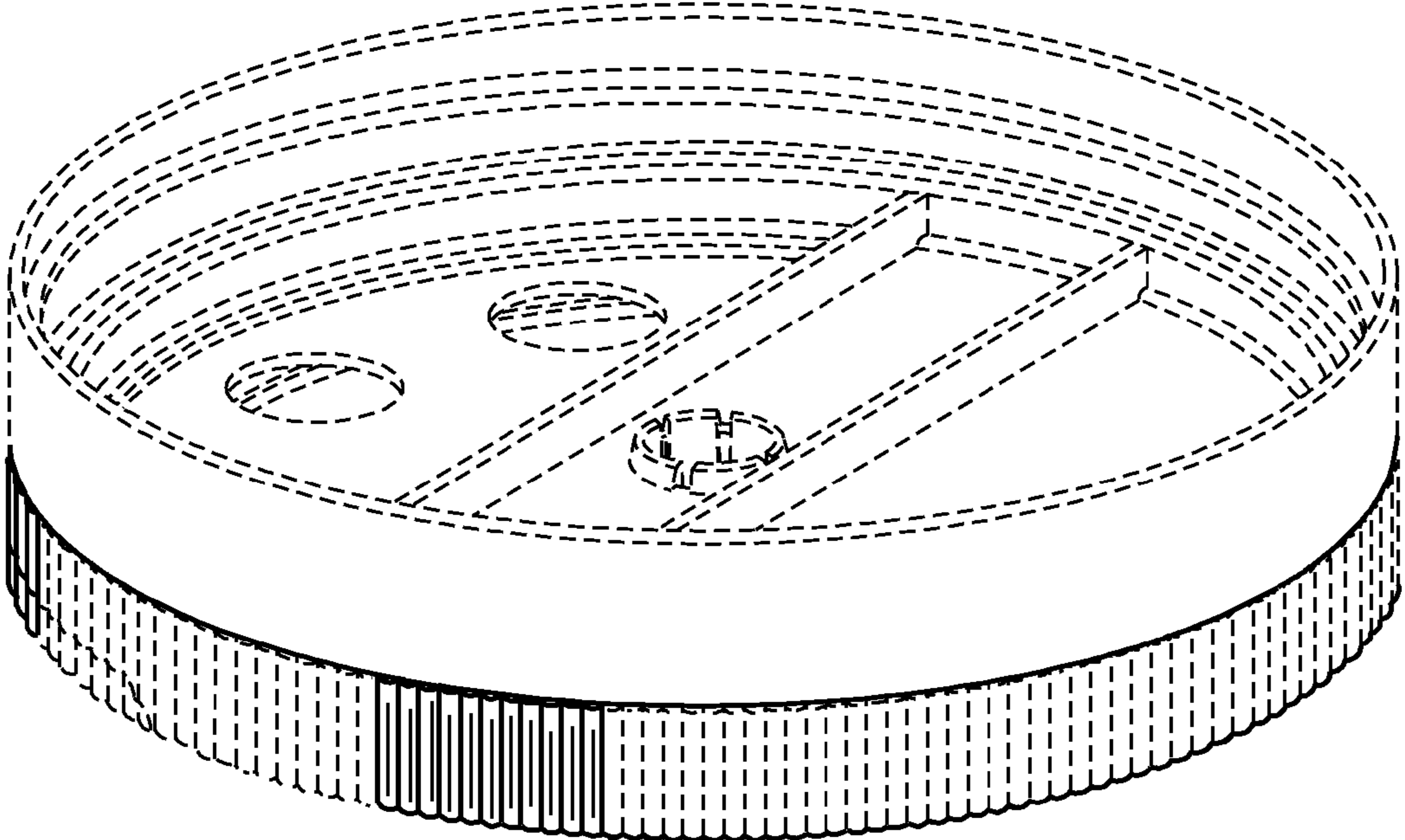


FIG. 2

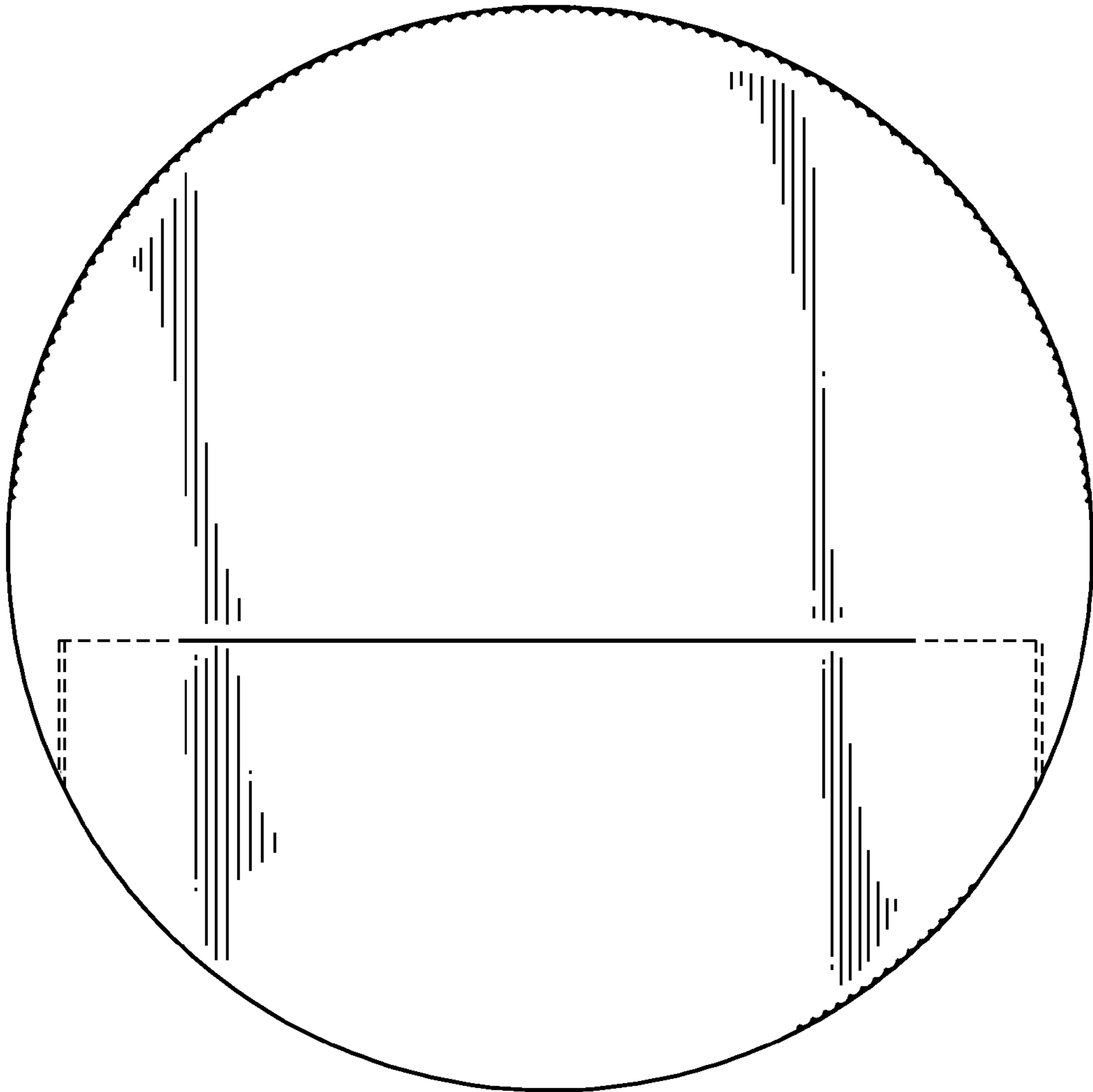


FIG. 3

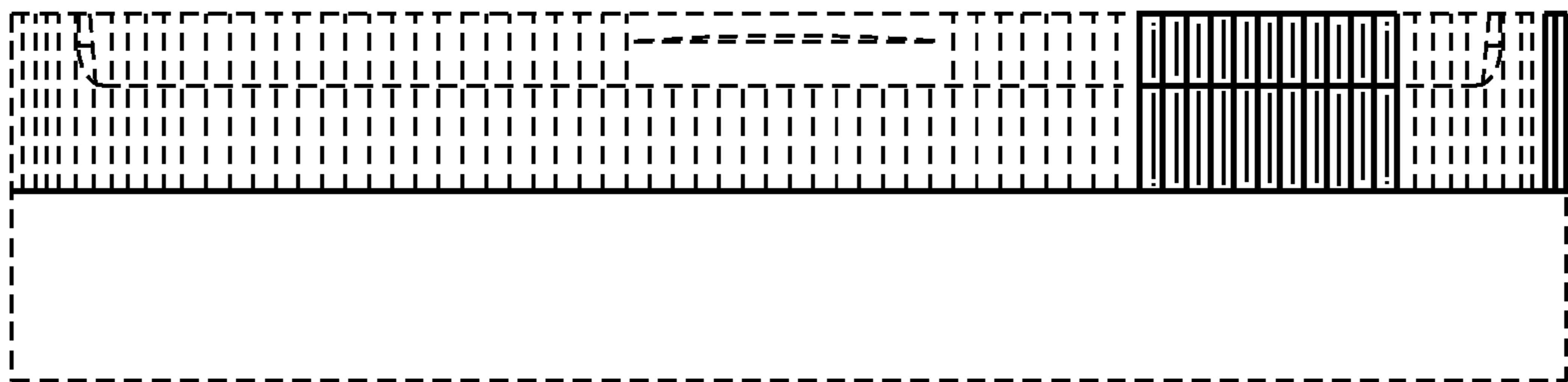


FIG. 4

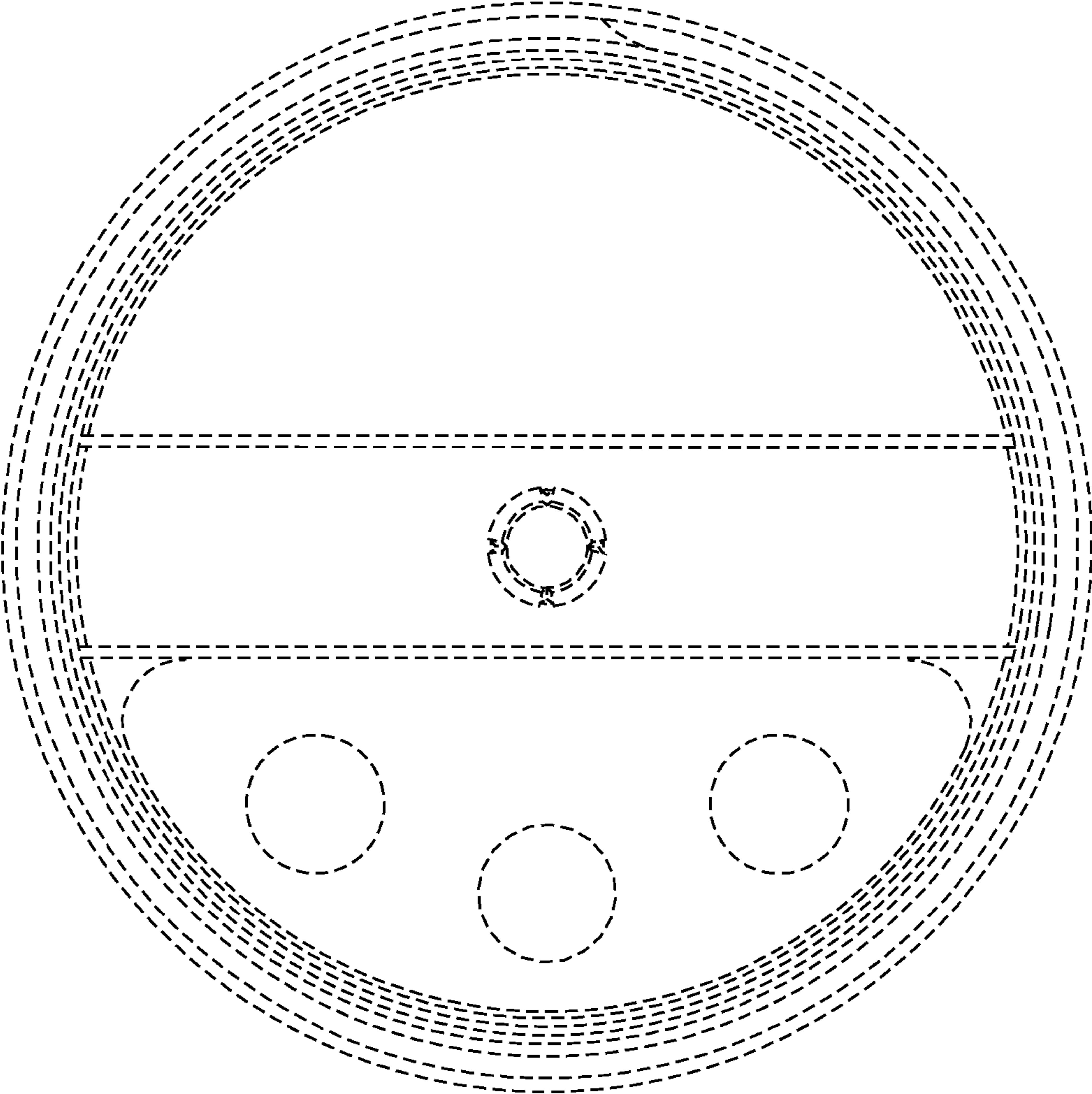


FIG. 5

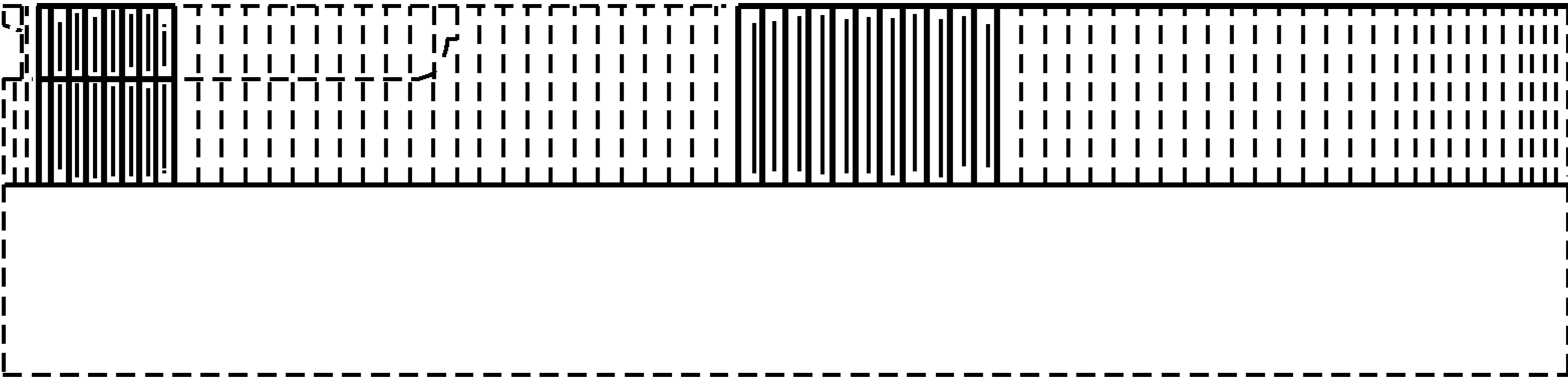


FIG. 6

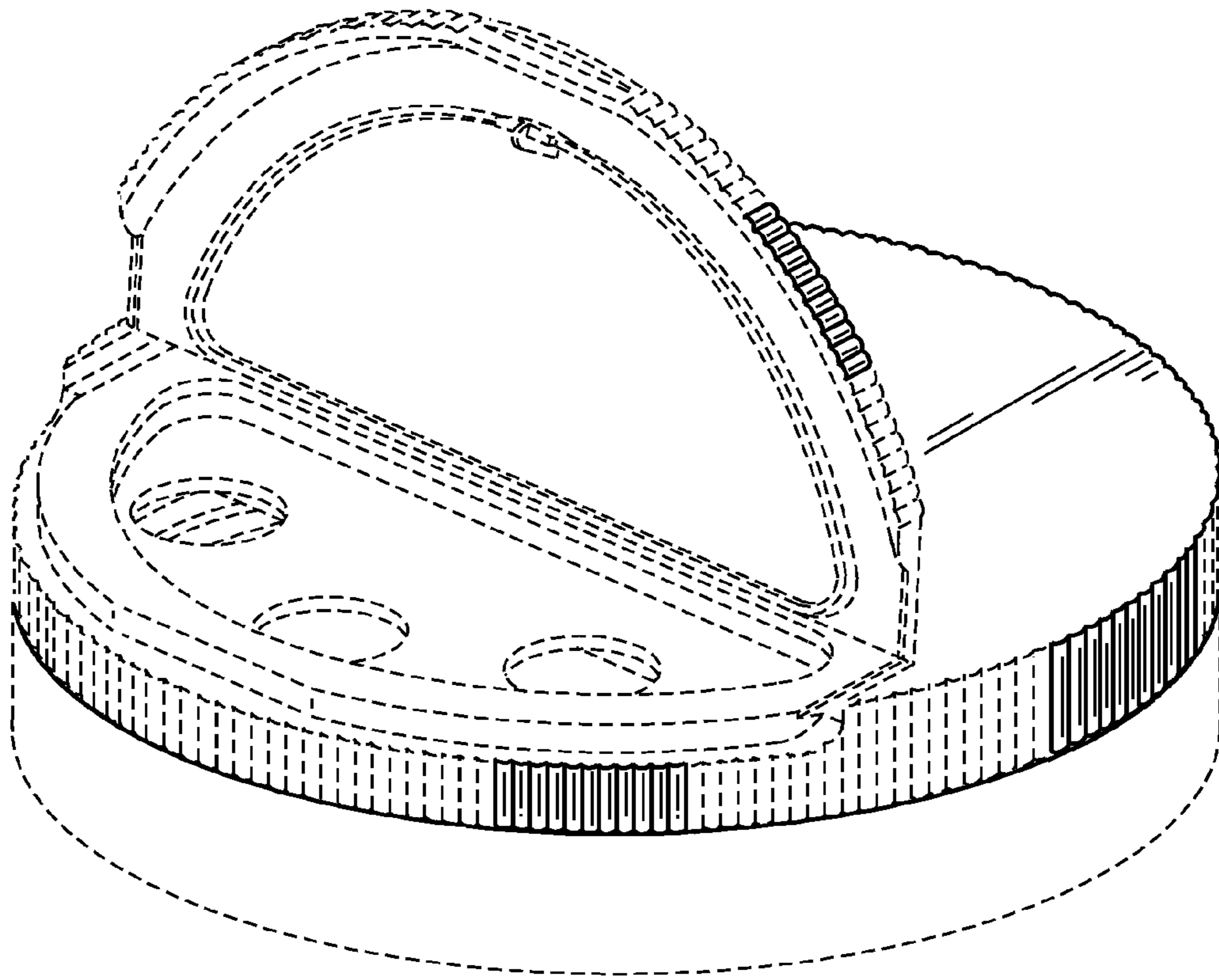


FIG. 7

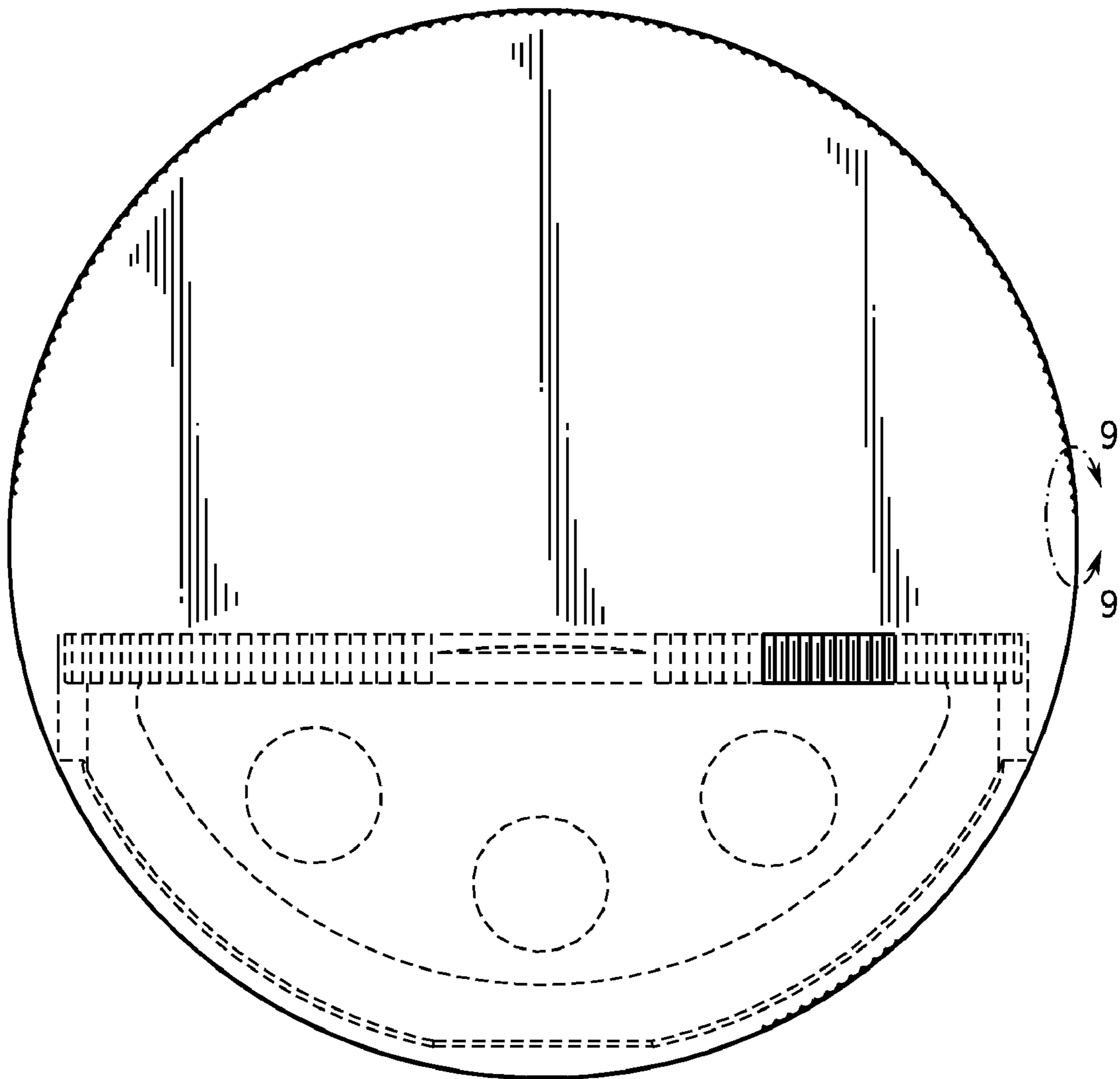
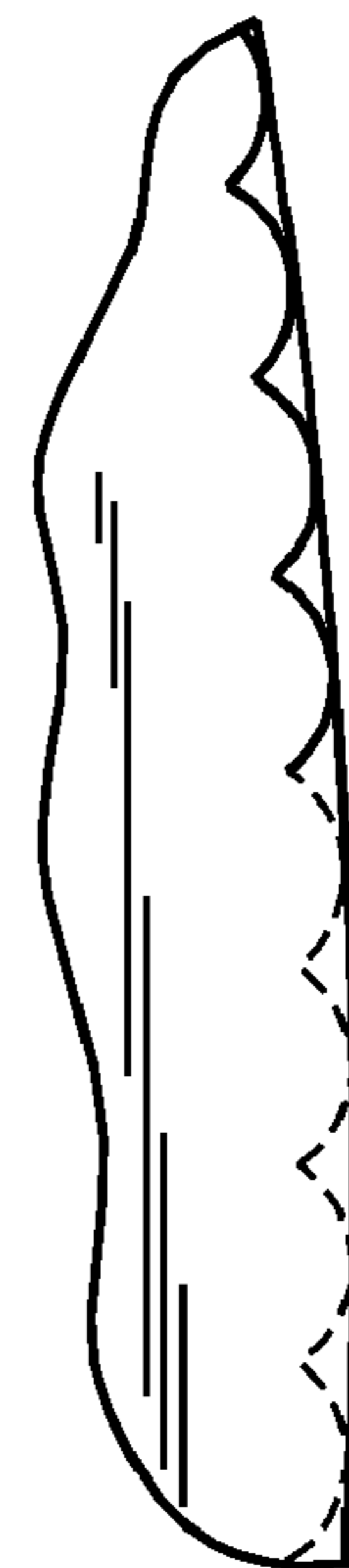


FIG. 8

FIG. 9





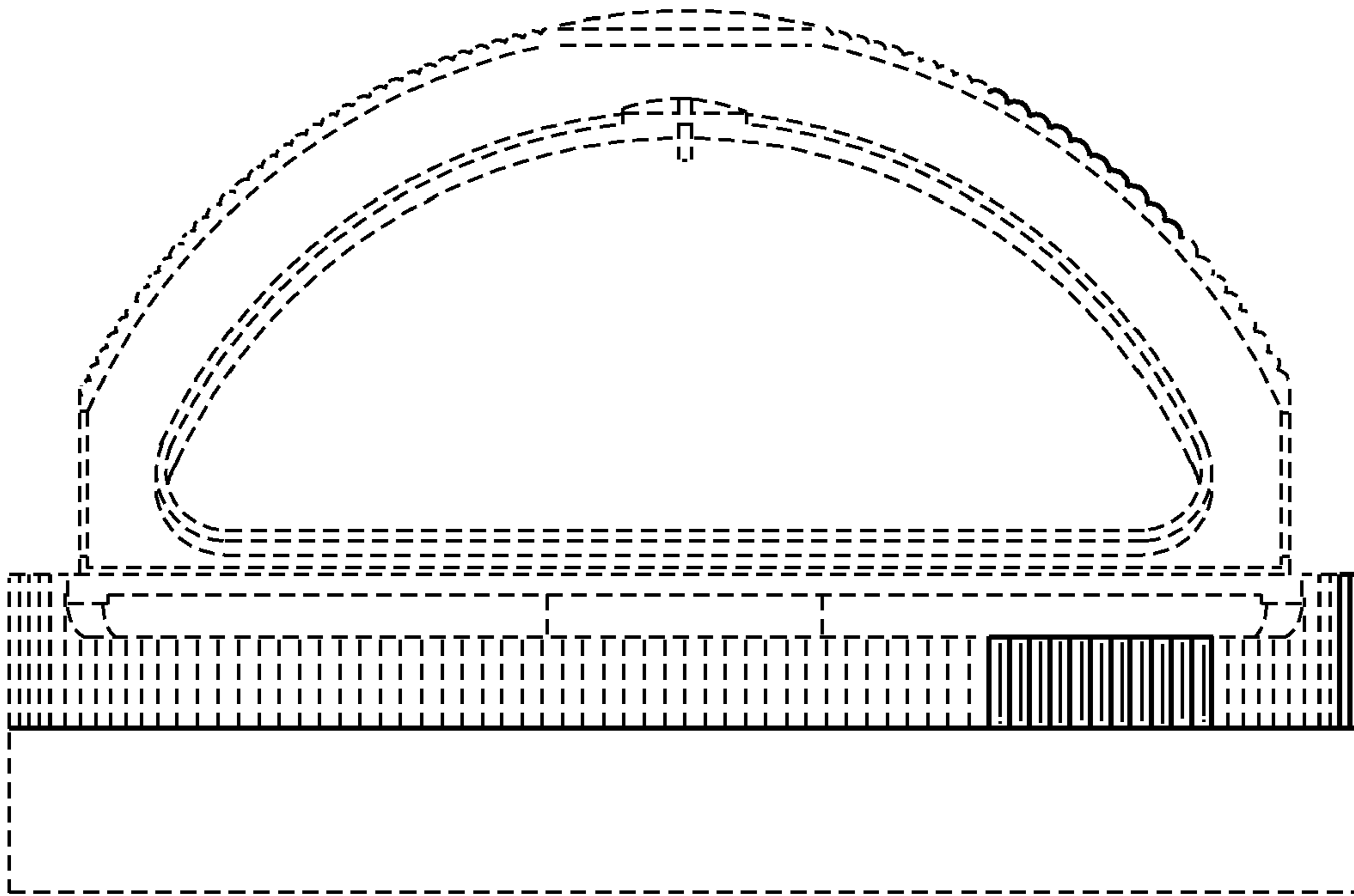


FIG. 10

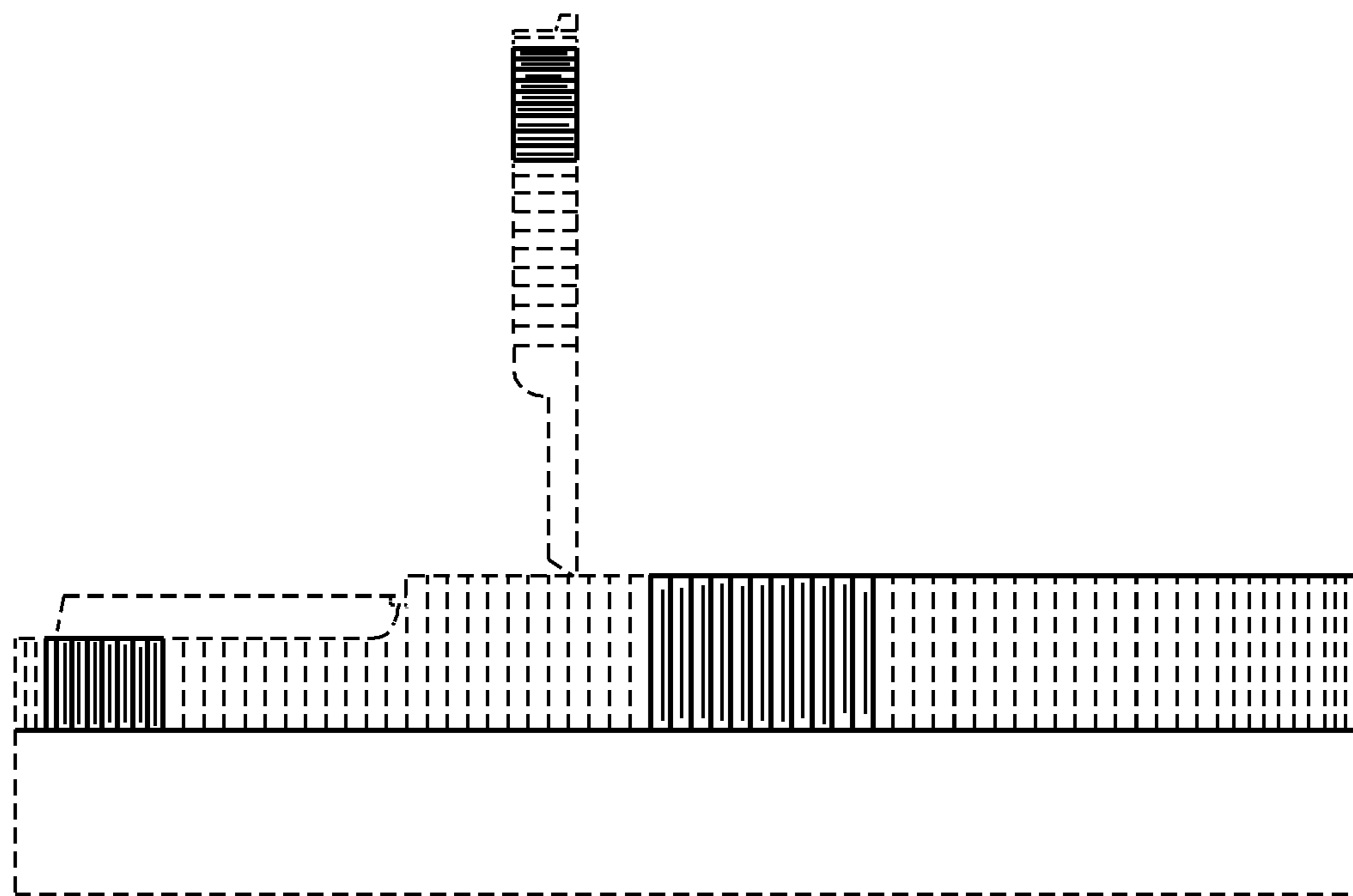


FIG. 11