



US00D596026S

(12) **United States Design Patent**  
**Mordechai**

(10) **Patent No.:** **US D596,026 S**

(45) **Date of Patent:** **\*\* Jul. 14, 2009**

(54) **FOLDABLE PACKING CASE**

(76) Inventor: **Kleiner Mordechai**, 8 Hagai Street,  
Ramat-Gan (IL)

(\*\*) Term: **14 Years**

(21) Appl. No.: **29/327,977**

(22) Filed: **Nov. 17, 2008**

(51) **LOC (9) Cl.** ..... **09-03**

(52) **U.S. Cl.** ..... **D9/432; D9/433**

(58) **Field of Classification Search** ..... D9/430-433,  
D9/414, 418, 420-423, 529, 560; 206/278,  
206/297, 299, 433, 457, 770, 737, 769, 776,  
206/777, 778; 229/100, 101, 103.3, 106,  
229/107, 108, 108.1, 109, 110, 112, 116,  
229/116.5, 117, 117.01, 117.03-117.08,  
229/121, 122, 122.24, 122.29, 125.015, 126,  
229/152, 181.1, 185.1, 186, 201, 917, 922,  
229/923, 930-933, 935, 937, 939, 942

See application file for complete search history.

(56) **References Cited**

**U.S. PATENT DOCUMENTS**

715,026	A *	12/1902	Crawford	.....	229/117.05
D79,537	S *	10/1929	Thompson	.....	D9/433
2,151,472	A *	3/1939	Hubbard	.....	229/120.36
2,416,725	A *	3/1947	Williamson	.....	229/121
D154,978	S *	8/1949	Georges	.....	D9/432
D179,279	S *	11/1956	Block	.....	D9/423
3,007,622	A *	11/1961	George	.....	229/122.21
3,189,249	A *	6/1965	Fallert	.....	229/185
3,193,176	A *	7/1965	Gullickson	.....	229/117.06
3,275,216	A *	9/1966	Collins	.....	229/108
3,310,221	A *	3/1967	Duncan	.....	229/185.1
3,670,948	A *	6/1972	Berg	.....	229/117.06
D290,444	S *	6/1987	Osborne	.....	D9/418
D316,372	S *	4/1991	Boggus, Jr.	.....	D9/433
5,042,713	A *	8/1991	Stafford	.....	229/117.02
5,062,527	A *	11/1991	Westerman	.....	229/117

5,090,614	A *	2/1992	Kupersmit	.....	229/117.04
5,294,043	A *	3/1994	Platt	.....	229/143
5,460,324	A *	10/1995	Vinther	.....	229/405
6,189,776	B1 *	2/2001	Smith et al.	.....	229/117
6,736,309	B1 *	5/2004	Westerman et al.	....	229/117.05
6,761,307	B2 *	7/2004	Matsuoka	.....	229/117
6,988,653	B2 *	1/2006	Bell	.....	229/117.05
2001/0032873	A1 *	10/2001	Grueneberg	.....	229/117.06
2005/0087590	A1 *	4/2005	Kawagoe et al.	.....	229/117.01
2008/0067222	A1 *	3/2008	Kleiner	.....	229/117.06
2008/0083822	A1 *	4/2008	Benes	.....	229/185.1
2008/0110964	A1 *	5/2008	Churvis	.....	229/100
2008/0173703	A1 *	7/2008	Westerman et al.	....	229/117.01
2008/0237318	A1 *	10/2008	McClure	.....	229/103

**FOREIGN PATENT DOCUMENTS**

WO WO-2005-019046 \* 3/2005

\* cited by examiner

*Primary Examiner*—T. Chase Nelson

*Assistant Examiner*—Karen Acker

(74) *Attorney, Agent, or Firm*—Fennemore Craig, P.C.

(57) **CLAIM**

The ornamental design for the foldable packing case, as shown and described.

**DESCRIPTION**

FIG. 1 is an illustrative top perspective view of a foldable packing case according to my new design shown in a closed position;

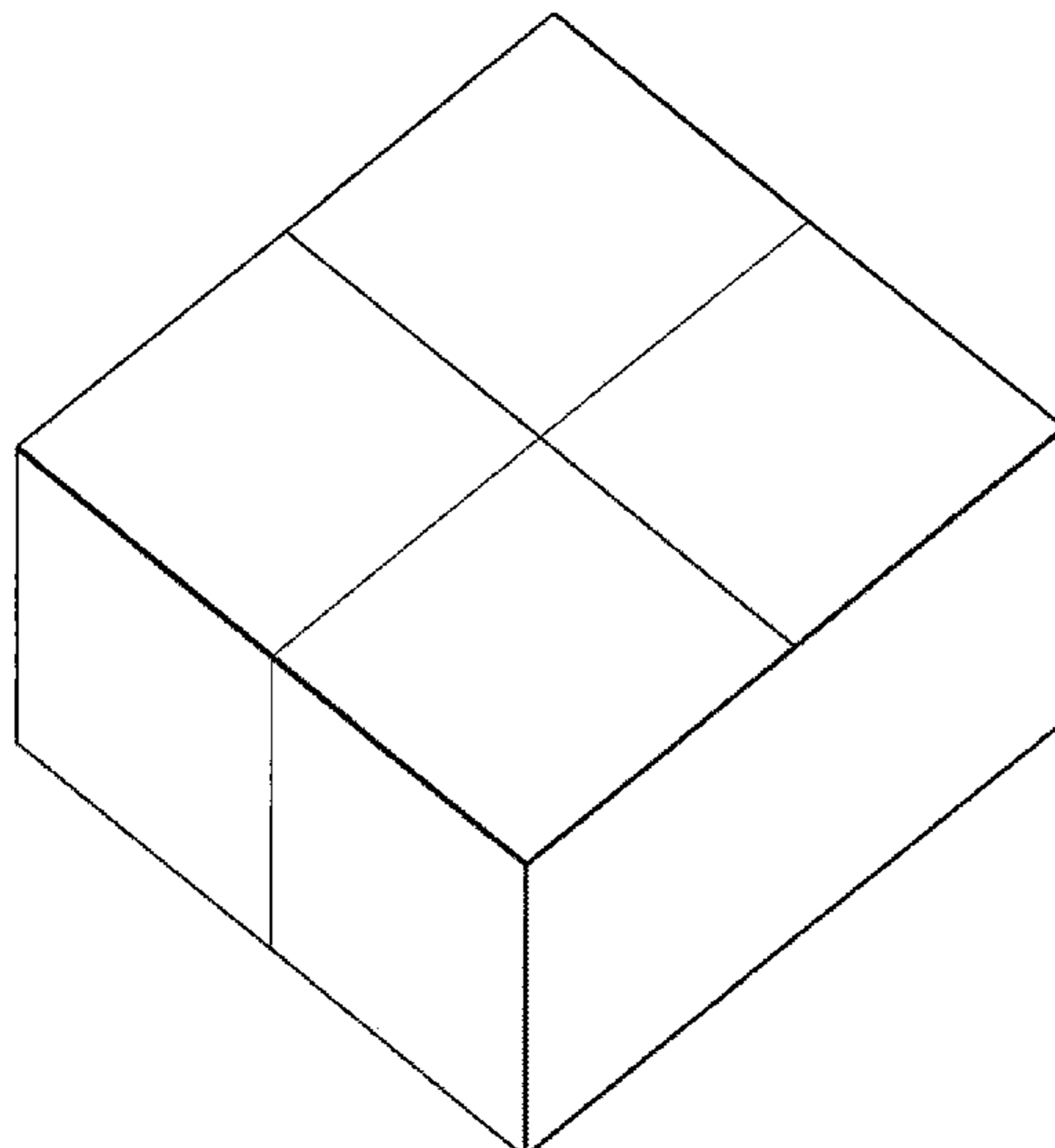
FIG. 2 is an illustrative top perspective view of the foldable packing case in a partially open position;

FIG. 3 is a perspective side view of the foldable packing case in a collapsed position;

FIG. 4 is a bottom plan view of the foldable packing case; and,

FIG. 5 is a plan view of the foldable packing case in an unfolded position.

**1 Claim, 5 Drawing Sheets**



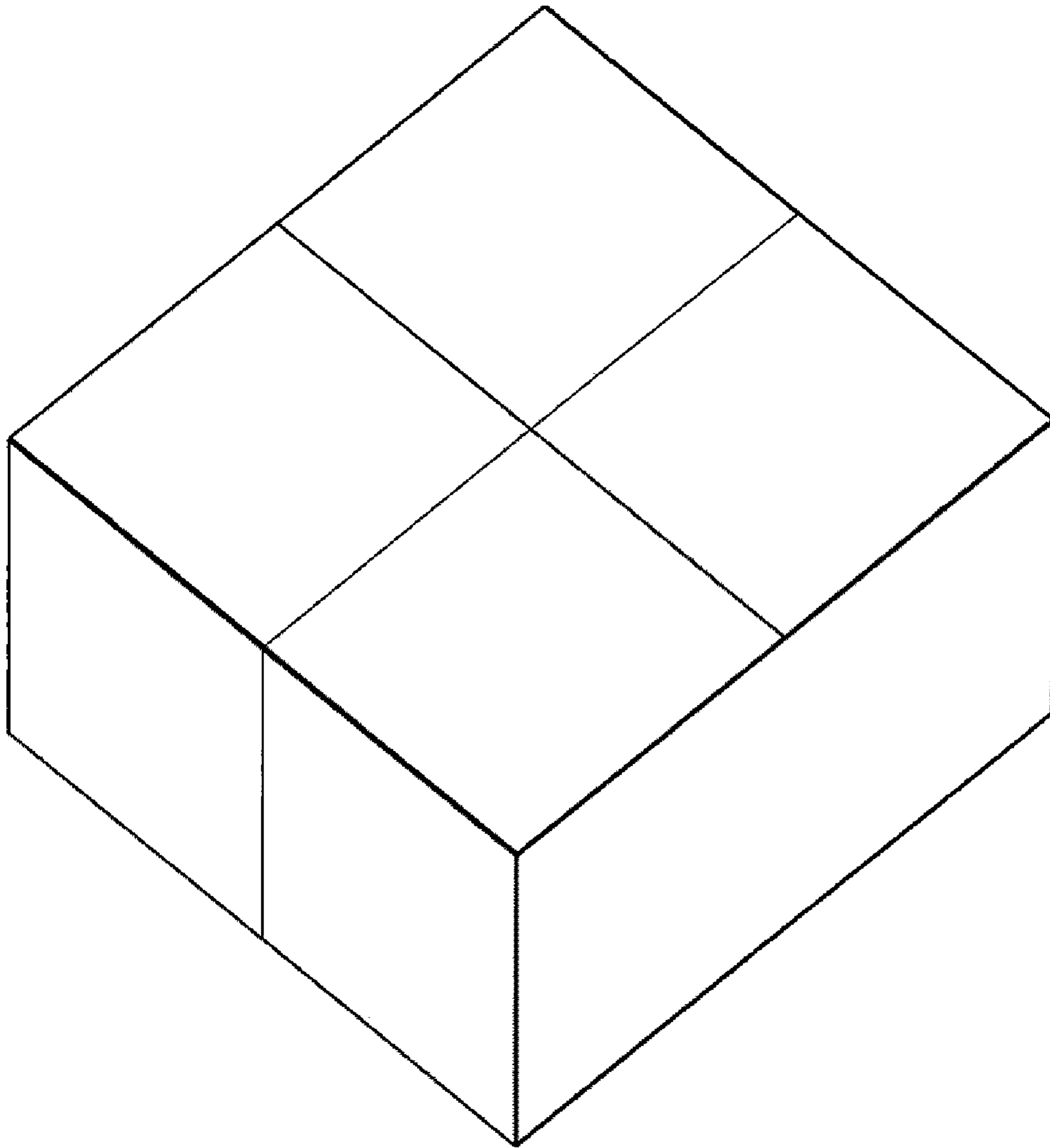


FIG.1

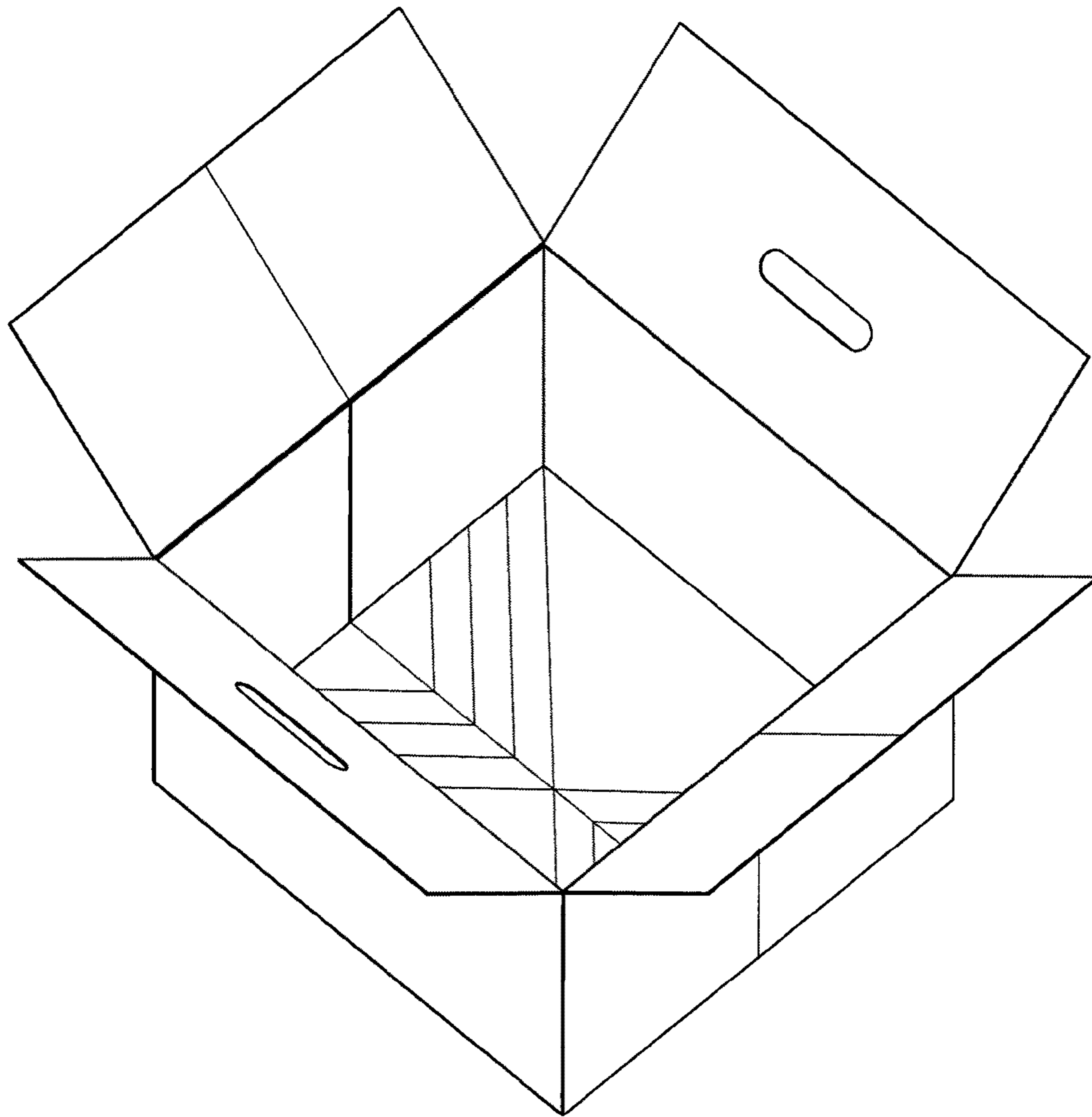


FIG.2

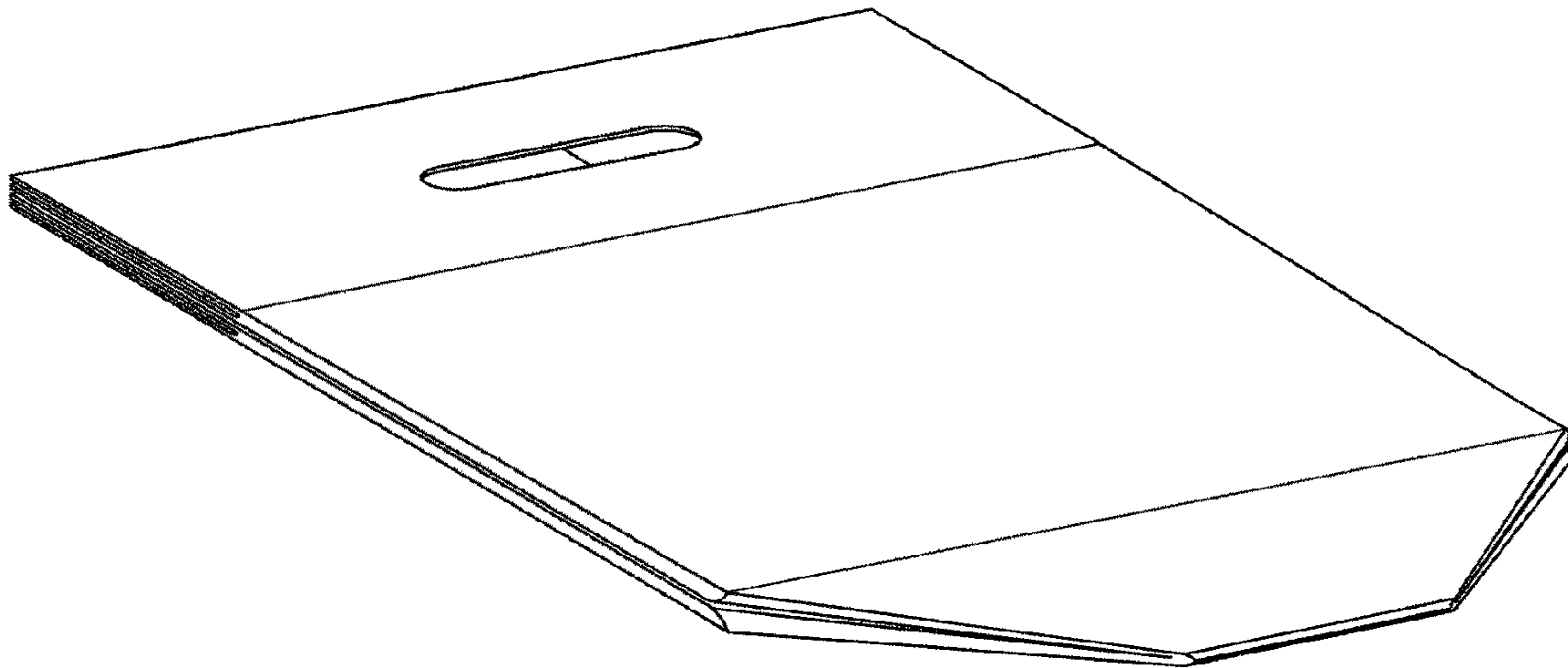


FIG. 3

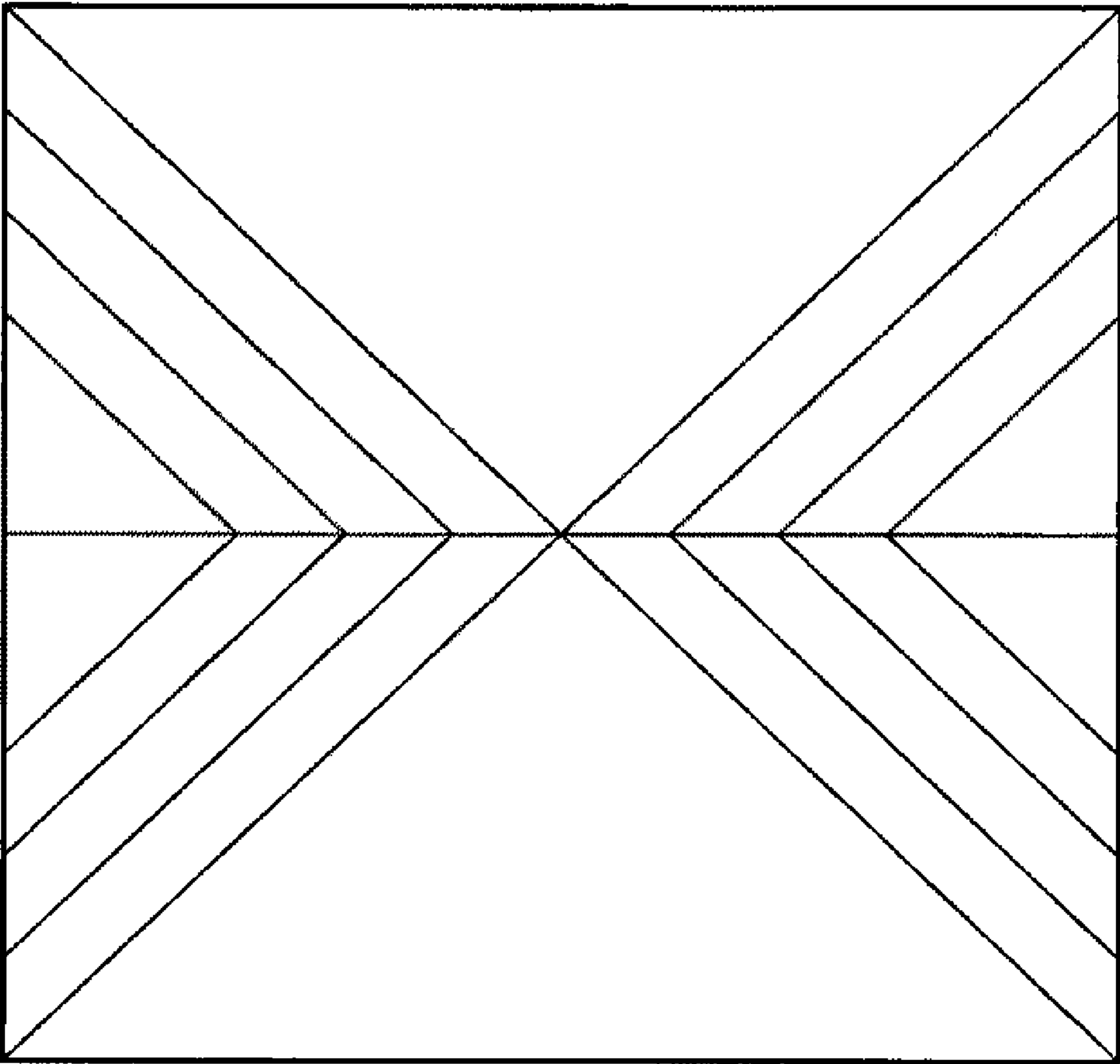


FIG. 4

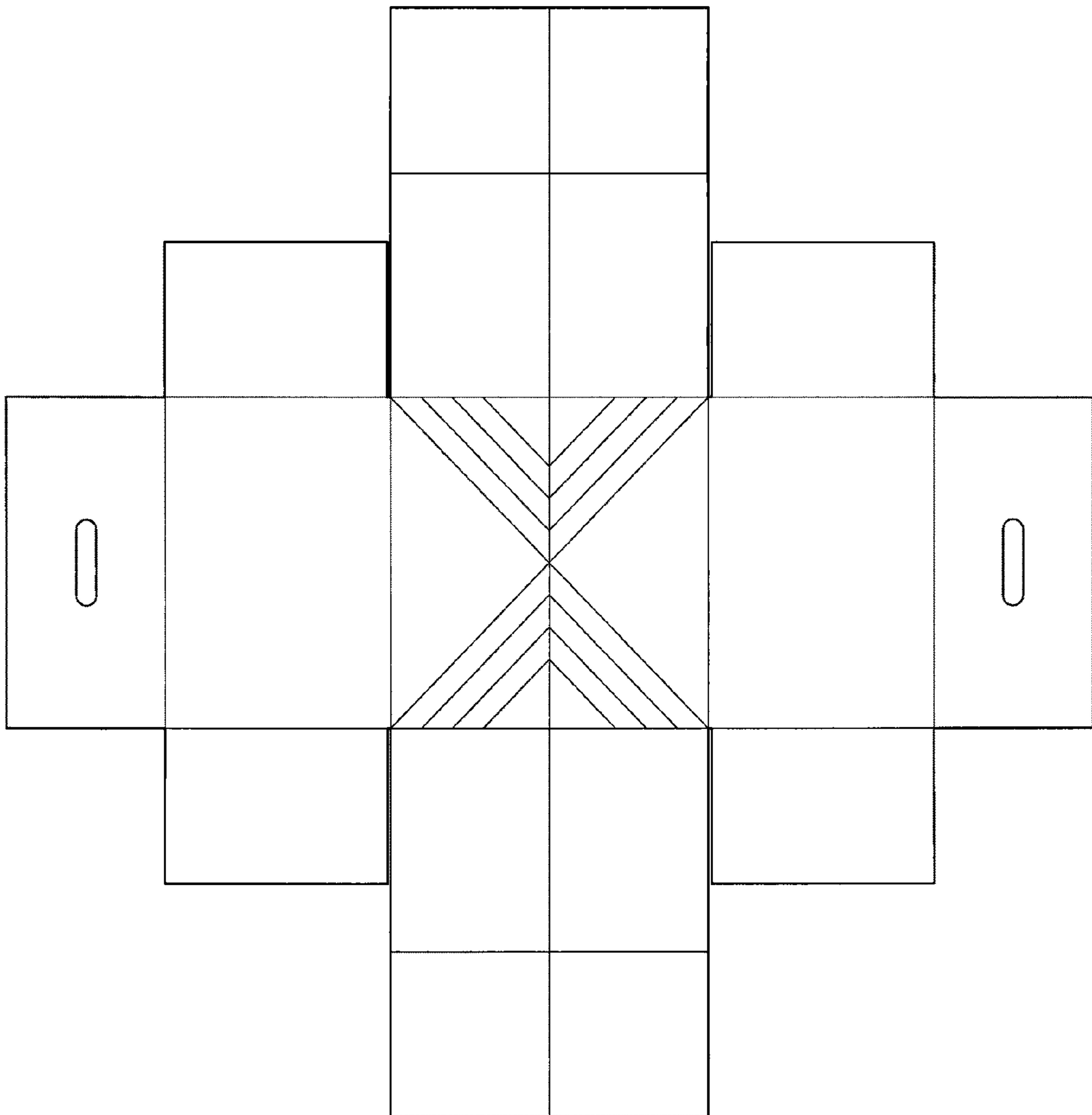


FIG. 5

UNITED STATES PATENT AND TRADEMARK OFFICE  
**CERTIFICATE OF CORRECTION**

PATENT NO. : Des. 596,026 S  
APPLICATION NO. : 29/327977  
DATED : July 14, 2009  
INVENTOR(S) : Kleiner Mordechai

Page 1 of 1

It is certified that error appears in the above-identified patent and that said Letters Patent is hereby corrected as shown below:

Title Page item #30

Please add the following on the first page of the patent:

Foreign Application Priority Data

May 15, 2008 (IL) 45956

Signed and Sealed this

Twenty-fifth Day of August, 2009



David J. Kappos  
*Director of the United States Patent and Trademark Office*