



US00D596025S

(12) **United States Design Patent**  
**Mordechai**

(10) **Patent No.:** **US D596,025 S**  
(45) **Date of Patent:** **\*\* Jul. 14, 2009**

(54) **FOLDABLE PACKING CASE WITH  
OPTIONAL ATTACHABLE COVER**

(76) Inventor: **Kleiner Mordechai**, 8 Hagai Street,  
Ramat-Gan (IL)

(\*\*) Term: **14 Years**

(21) Appl. No.: **29/327,975**

(22) Filed: **Nov. 17, 2008**

(51) **LOC (9) Cl.** ..... **09-03**

(52) **U.S. Cl.** ..... **D9/432; D9/433**

(58) **Field of Classification Search** ..... D9/430-433,  
D9/414, 418, 420-423, 529, 560; 206/278,  
206/297, 299, 433, 457, 770, 737, 769, 776,  
206/777, 778; 229/100, 101, 103.3, 106,  
229/107, 108, 108.1, 109, 110, 112, 116,  
229/116.5, 117, 117.01, 117.03-117.08,  
229/121, 122, 122.24, 122.29, 125.015, 126,  
229/152, 181.1, 185.1, 186, 201, 917, 922,  
229/923, 930-933, 935, 937, 939, 942

See application file for complete search history.

(56) **References Cited**

**U.S. PATENT DOCUMENTS**

715,026	A *	12/1902	Crawford	.....	229/117.05
1,582,375	A *	4/1926	Bliss	.....	229/125.26
D79,537	S *	10/1929	Thompson	.....	D9/433
2,151,472	A *	3/1939	Hubbard	.....	229/120.36
2,165,023	A *	7/1939	Aull	.....	229/126
D154,978	S *	8/1949	Georges	.....	D9/432
2,577,588	A *	12/1951	Paige	.....	229/117
D179,279	S *	11/1956	Bloch	.....	D9/423
3,039,670	A *	6/1962	Hardon	.....	206/521.8
3,193,176	A *	7/1965	Gullickson	.....	229/117.06
3,310,221	A *	3/1967	Duncan	.....	229/185.1
3,348,667	A *	10/1967	Beeby	.....	206/770
3,667,666	A *	6/1972	Pryor	.....	229/185.1

3,670,948	A *	6/1972	Berg	.....	229/117.06
3,917,157	A *	11/1975	Smith	.....	206/512
4,101,052	A *	7/1978	Dove	.....	229/101
D290,444	S *	6/1987	Osborne	.....	D9/418
D316,372	S *	4/1991	Boggus, Jr.	.....	D9/433

(Continued)

**FOREIGN PATENT DOCUMENTS**

WO WO-2005-019046 \* 3/2005

*Primary Examiner*—T. Chase Nelson

*Assistant Examiner*—Karen Acker

(74) *Attorney, Agent, or Firm*—Fennemore Craig, P.C.

(57) **CLAIM**

The ornamental design for the foldable packing case with optional attachable cover, as shown and described.

**DESCRIPTION**

FIG. 1 is an illustrative top front perspective view of a foldable packing case with optional attachable cover according to my new design, wherein the packing case is shown open and with the optional cover unattached;

FIG. 2 is an illustrative top front perspective view of the design of FIG. 1 with the optional cover removed;

FIG. 3 is a perspective side view of the design of FIG. 2 shown in a collapsed state;

FIG. 4 is a bottom plan view of the design of FIG. 2;

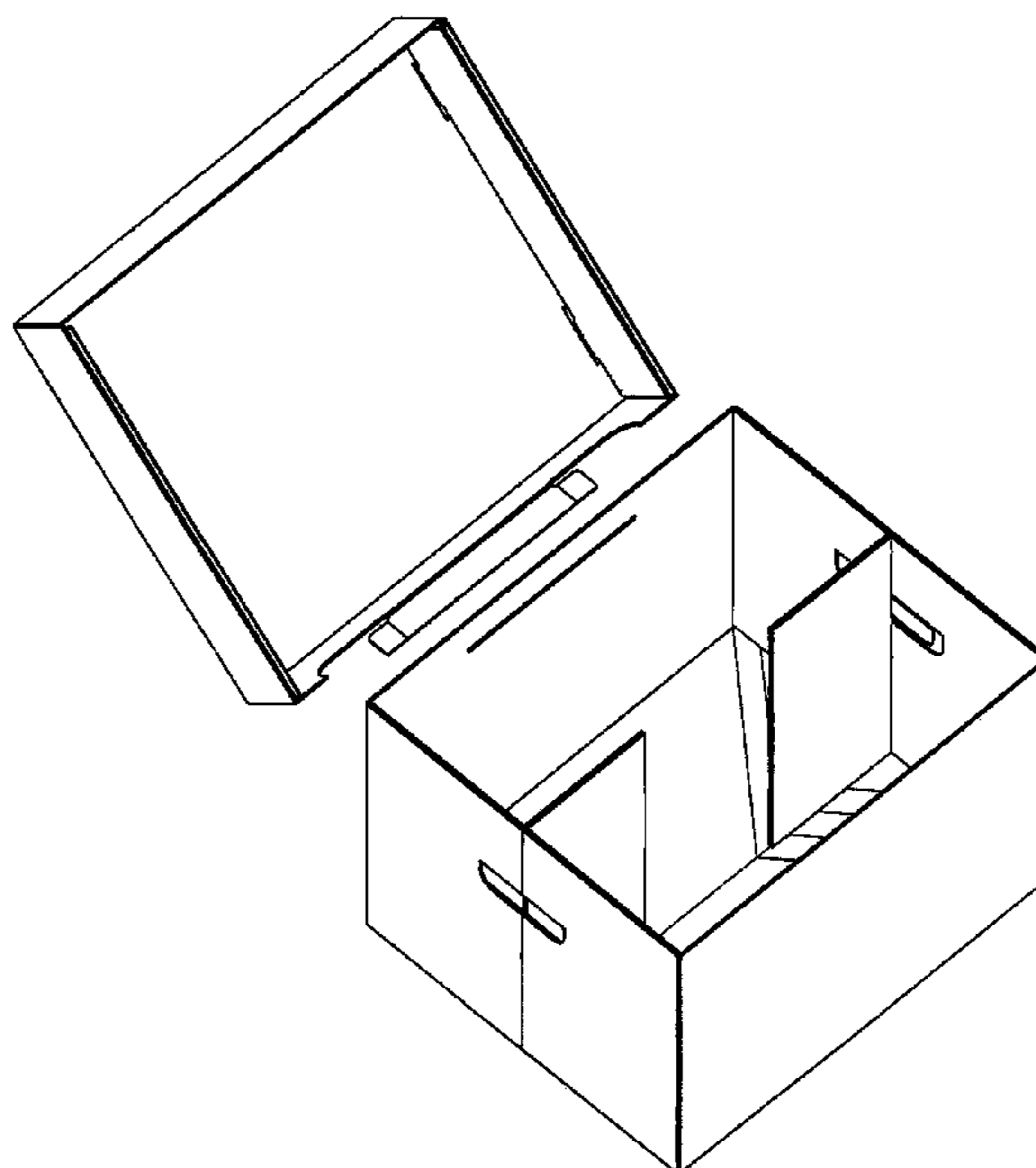
FIG. 5 is a top plan view of the design of FIG. 2;

FIG. 6 is an illustrative top rear perspective view of the design of FIG. 1 with the optional cover attached and closed;

FIG. 7 is a side view of the design of FIG. 6; and,

FIG. 8 is an unfolded view of the foldable packing case with optional attachable cover.

**1 Claim, 8 Drawing Sheets**



# US D596,025 S

Page 2

---

## U.S. PATENT DOCUMENTS

5,042,713	A *	8/1991	Stafford	.....	229/117.02				
5,062,527	A *	11/1991	Westerman	.....	229/117				
5,090,614	A *	2/1992	Kupersmit	.....	229/117.04				
D329,375	S *	9/1992	Bergman	.....	D9/759				
D339,062	S *	9/1993	Williams	.....	D9/432				
5,294,043	A *	3/1994	Platt	.....	229/143				
5,460,324	A *	10/1995	Vinther	.....	229/405				
D372,673	S *	8/1996	Turner	.....	D9/432				
5,779,129	A *	7/1998	Herbst et al.	.....	229/125.19				
D398,228	S *	9/1998	Herbst et al.	.....	D9/433				
D398,229	S *	9/1998	Herbst et al.	.....	D9/433				
D398,230	S *	9/1998	Herbst et al.	.....	D9/433				
D422,499	S *	4/2000	Herbst et al.	.....	D9/433				
D483,666	S *	12/2003	Juma et al.	.....	D9/433				
6,736,309	B1 *	5/2004	Westerman et al.	....	229/117.05				
6,988,653	B2 *	1/2006	Bell	.....	229/117.05				
2006/0219768	A1 *	10/2006	Philips	.....	229/186				
2007/0210142	A1 *	9/2007	Wang	.....	229/117.01				
2008/0067222	A1 *	3/2008	Kleiner	.....	229/117.06				
2008/0173703	A1 *	7/2008	Westerman et al.	....	229/117.01				
2008/0237321	A1 *	10/2008	Chen	.....	229/117.05				

\* cited by examiner

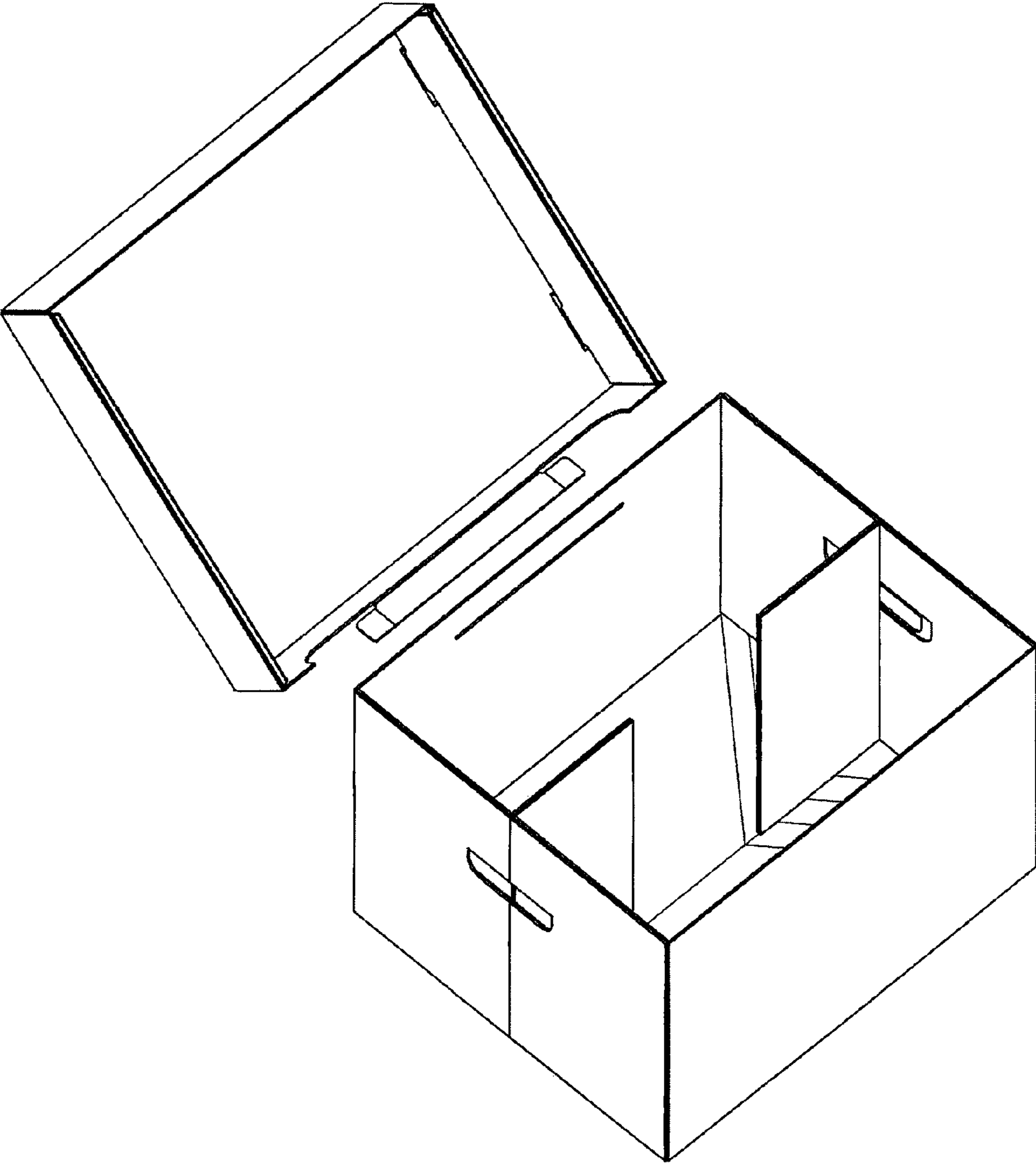


FIG.1

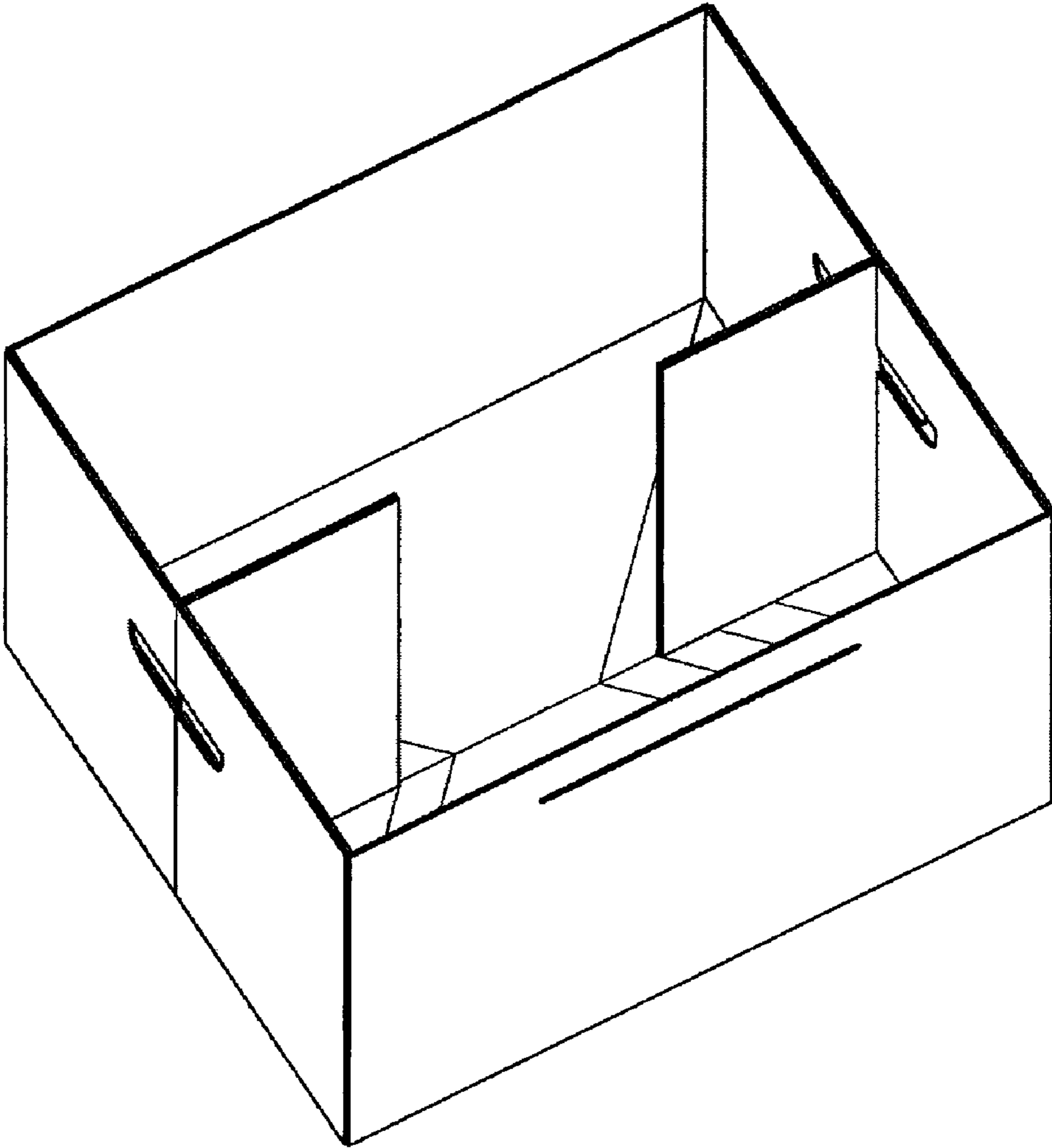


FIG.2

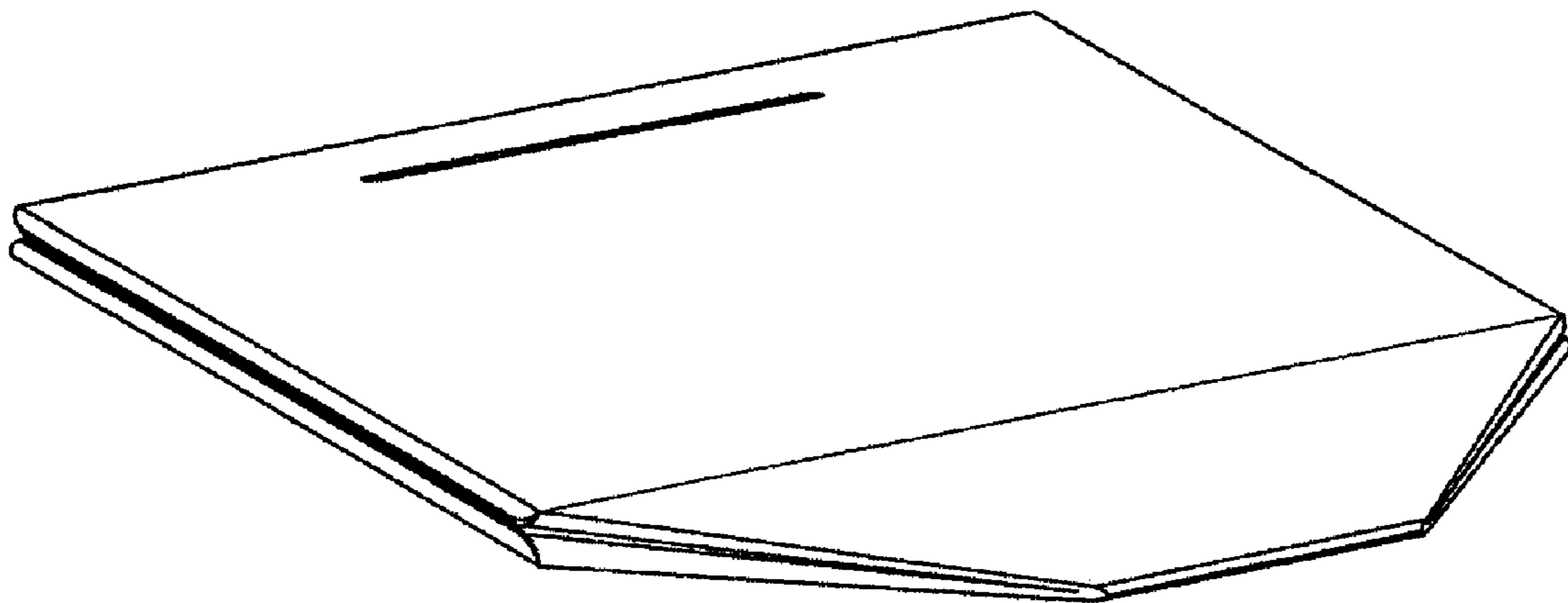


FIG. 3

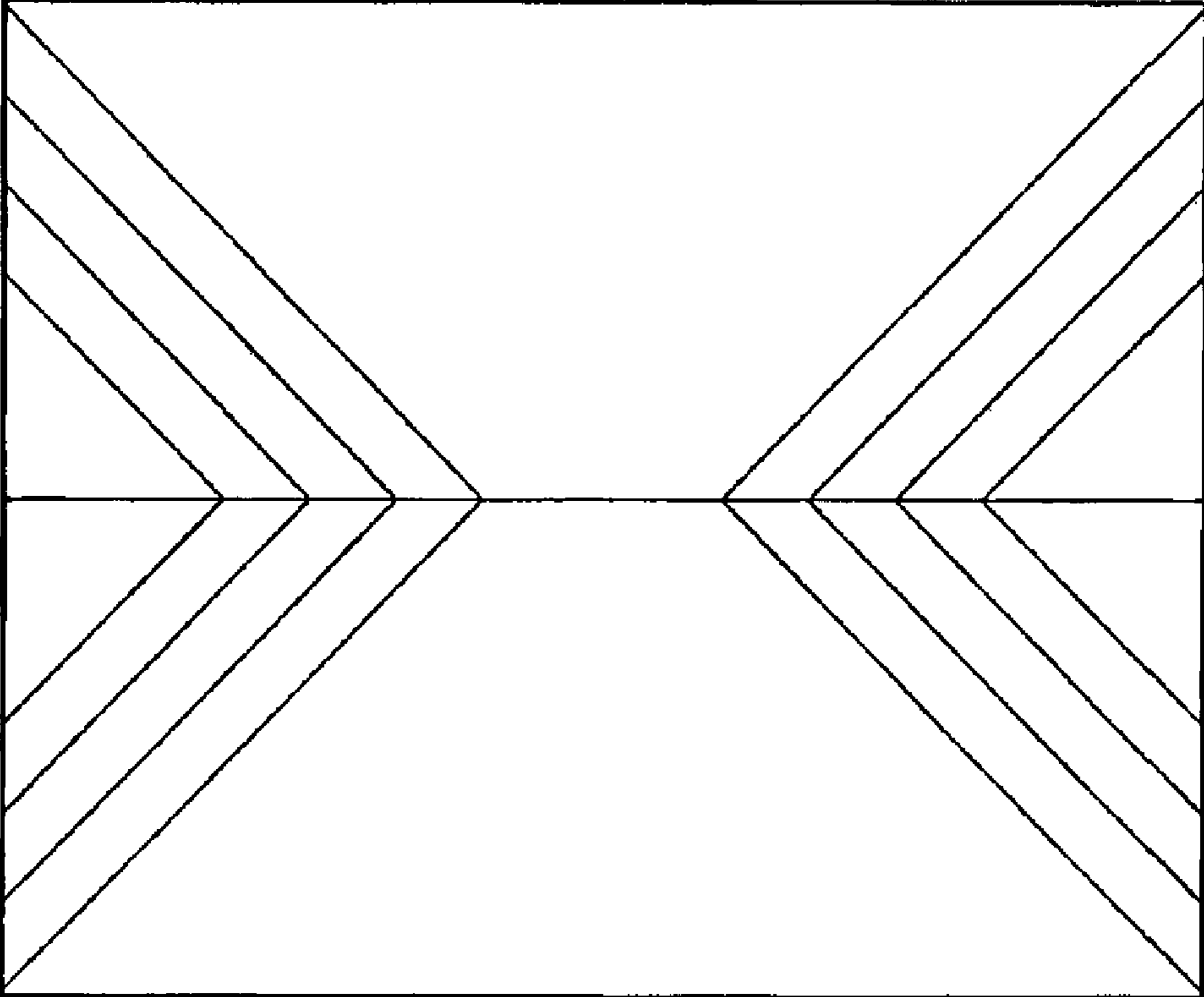


FIG. 4

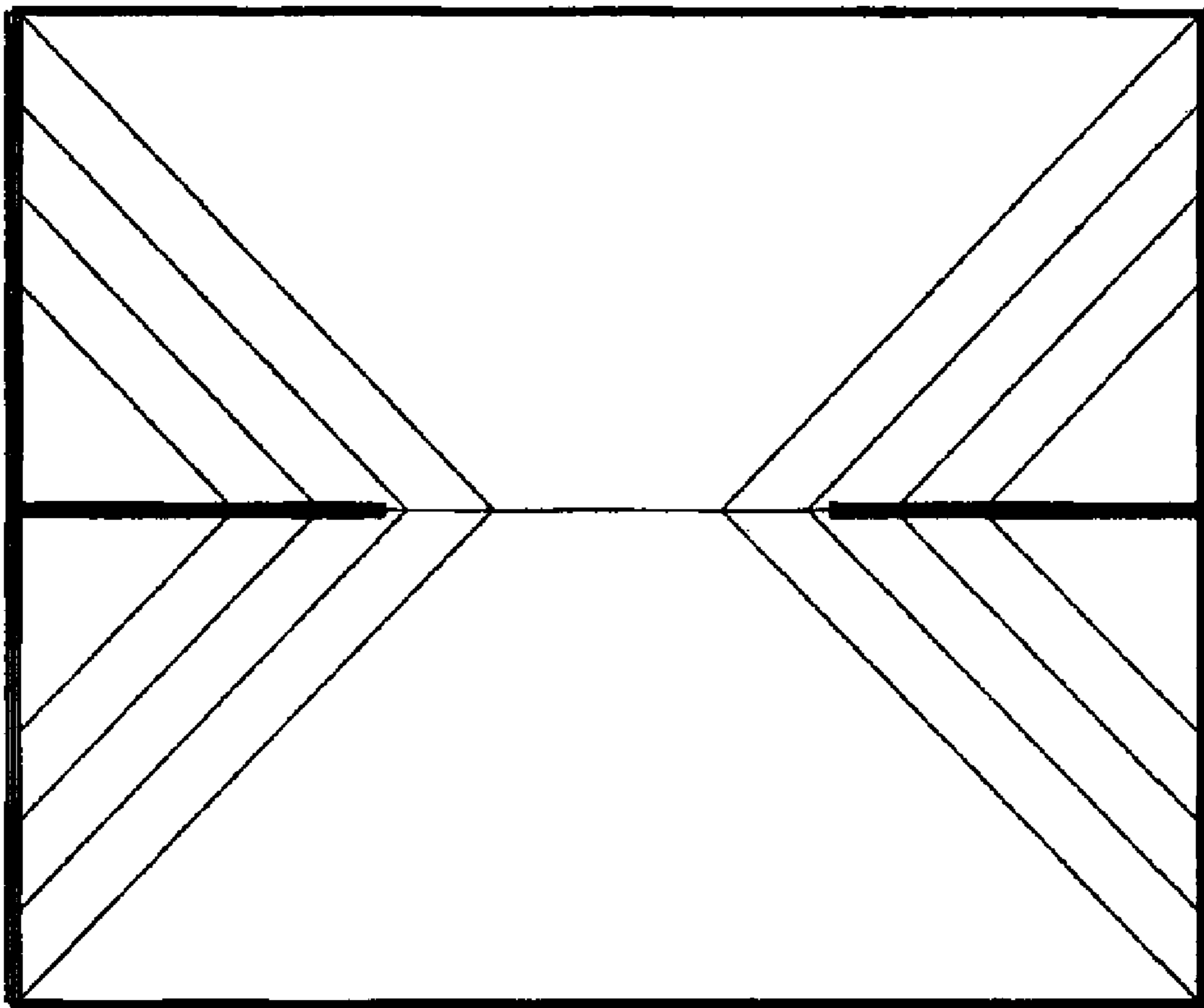


FIG. 5

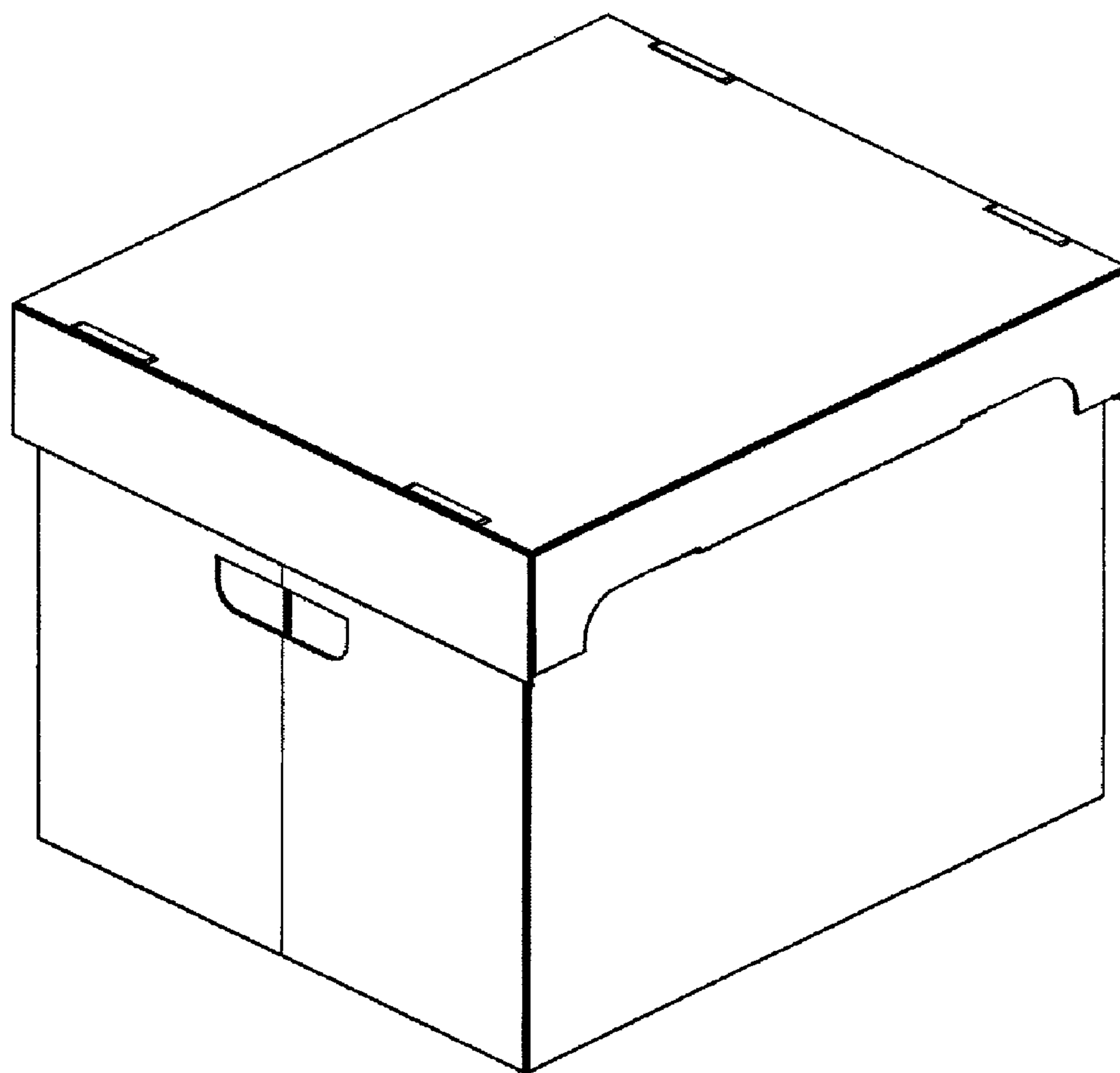


FIG.6



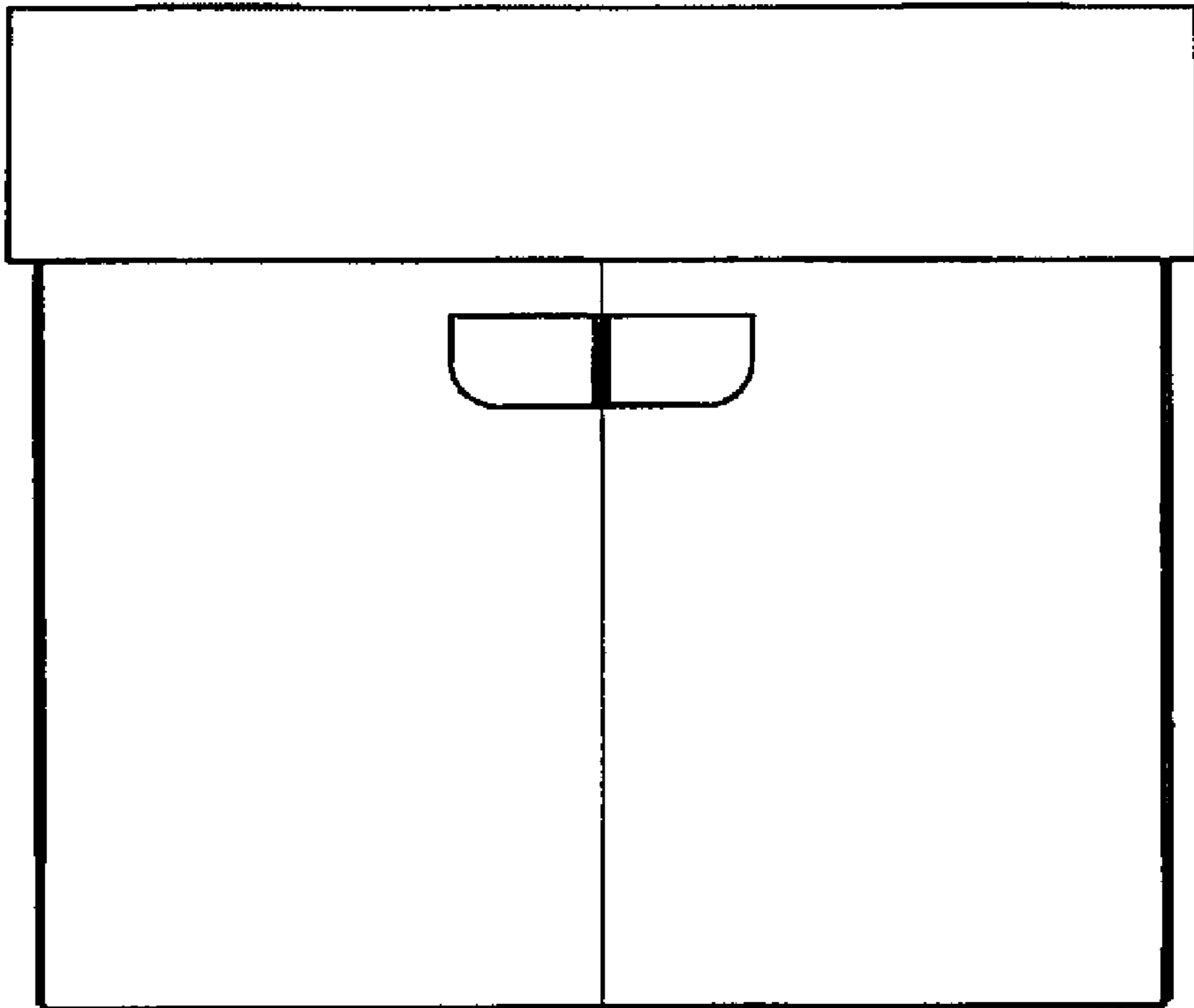


FIG. 7

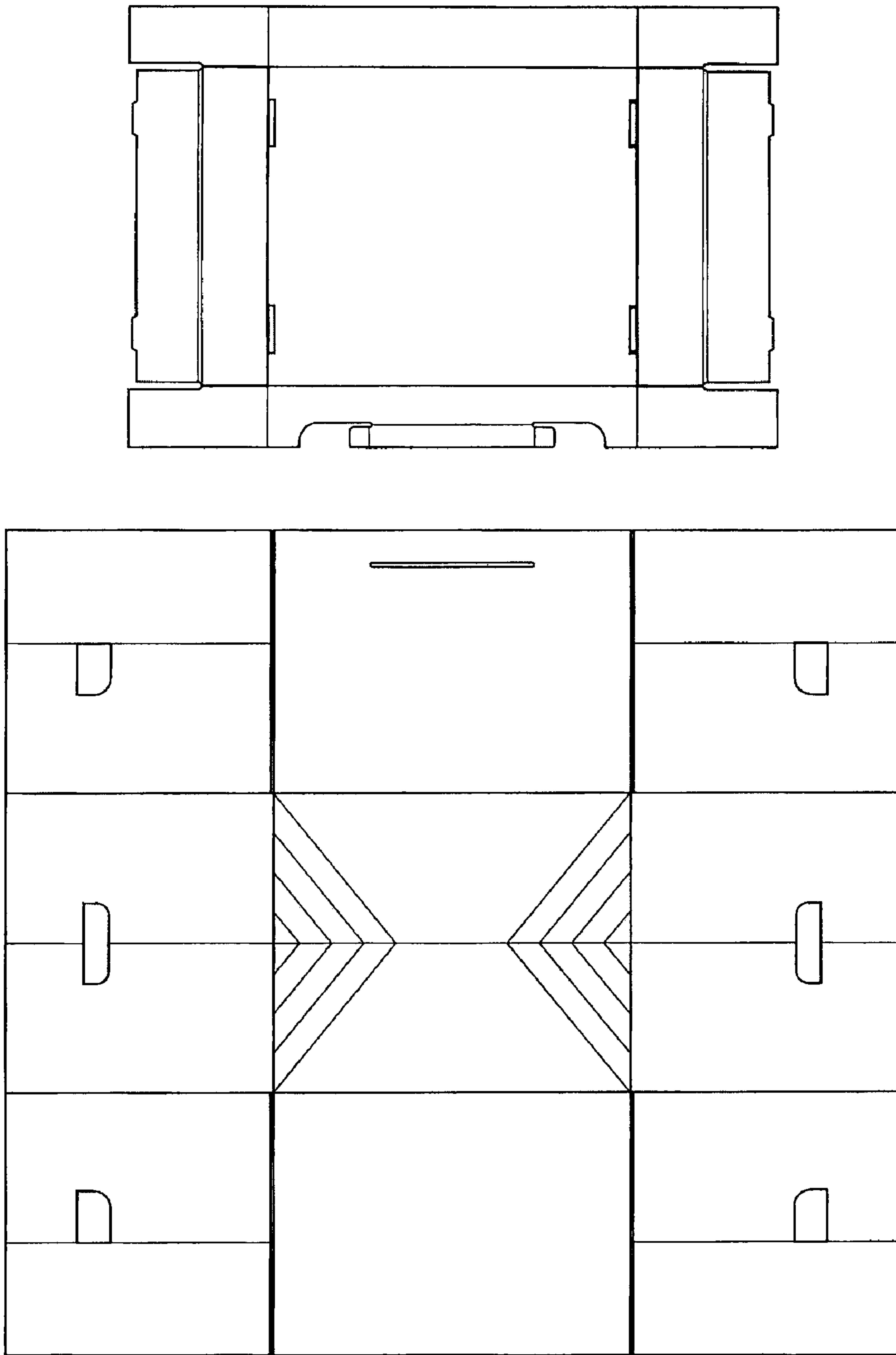


FIG. 8

UNITED STATES PATENT AND TRADEMARK OFFICE  
**CERTIFICATE OF CORRECTION**

PATENT NO. : Des. 596,025 S  
APPLICATION NO. : 29/327975  
DATED : July 14, 2009  
INVENTOR(S) : Kleiner Mordechai

Page 1 of 1

It is certified that error appears in the above-identified patent and that said Letters Patent is hereby corrected as shown below:

Title Page; item (30);

Please add the following on the first page of the patent:

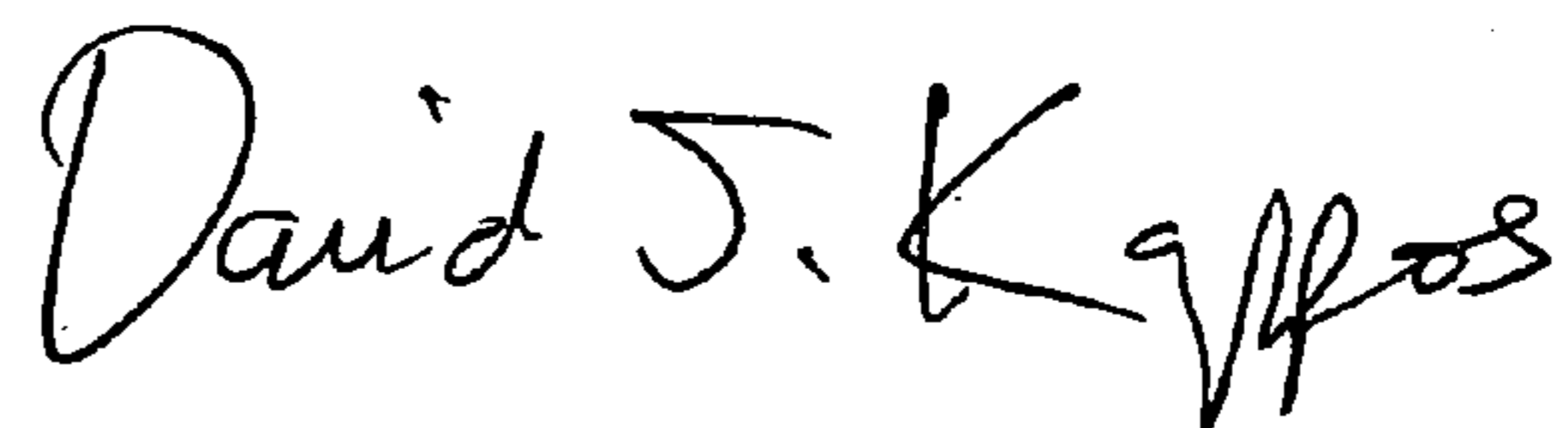
Foreign Application Priority Data

May 15, 2008 (IL) 45955

May 15, 2008 (IL) 45957

Signed and Sealed this

Eighteenth Day of August, 2009



David J. Kappos  
*Director of the United States Patent and Trademark Office*