



US00D596021S

(12) **United States Design Patent**
Smeja et al.

(10) **Patent No.:** **US D596,021 S**
(45) **Date of Patent:** **** Jul. 14, 2009**

(54) **SNOW GUARD CLAMP**

2005/0102958 A1 5/2005 Anderson
2005/0217203 A1 10/2005 Haddock
2005/0257434 A1 11/2005 Hockman

(75) Inventors: **Michael V. Smeja**, McHenry, IL (US);
Troy Livingston, Northbrook, IL (US)

FOREIGN PATENT DOCUMENTS

(73) Assignee: **Sno-Gem, Inc.**, McHenry, IL (US)

WO WO 99/55982 11/1999

(**) Term: **14 Years**

* cited by examiner

(21) Appl. No.: **29/280,104**

Primary Examiner—Cathron C Brooks

Assistant Examiner—Barbara Fox

(22) Filed: **May 16, 2007**

(74) *Attorney, Agent, or Firm*—Robert E. Browne; Neal, Gerber & Eisenberg LLP

(51) **LOC (9) Cl.** **08-99**

(52) **U.S. Cl.** **D8/499**

(58) **Field of Classification Search** D8/499;
52/545, 533, 24-26

(57) **CLAIM**

The ornamental design for a snow guard clamp, as shown.

See application file for complete search history.

DESCRIPTION

(56) **References Cited**

U.S. PATENT DOCUMENTS

884,850	A	4/1908	Peter	
933,784	A	9/1909	Peter	
D260,590	S *	9/1981	Hobson	D8/403
5,222,340	A	6/1993	Bellem	
5,282,340	A	2/1994	Cline et al.	
5,522,185	A	6/1996	Cline et al.	
5,613,328	A	3/1997	Alley	
D385,180	S *	10/1997	Brandes	D8/403
D385,485	S *	10/1997	Brandes	D8/403
D388,317	S *	12/1997	Brandes	D8/403
D394,603	S *	5/1998	Brandes	D8/403
D394,802	S *	6/1998	Brandes	D8/403
6,223,477	B1	5/2001	Alley	
6,385,914	B2 *	5/2002	Alley	52/25
6,453,623	B1	9/2002	Nelson et al.	
6,536,166	B1	3/2003	Alley	
6,647,671	B1	11/2003	Alley	
7,127,852	B1	10/2006	Dressler	
D537,337	S *	2/2007	Brockington et al.	D8/499
2004/0200186	A1	10/2004	Haddock	

FIG. 1 is a perspective view of the snow guard clamp embodying the inventive aspects of the present invention;

FIG. 2 is a front elevational view of the snow guard clamp shown in FIG. 1;

FIG. 3 is a back elevational view of the snow guard clamp shown in FIG. 1;

FIG. 4 is a side elevational view of the snow guard clamp shown in FIG. 1;

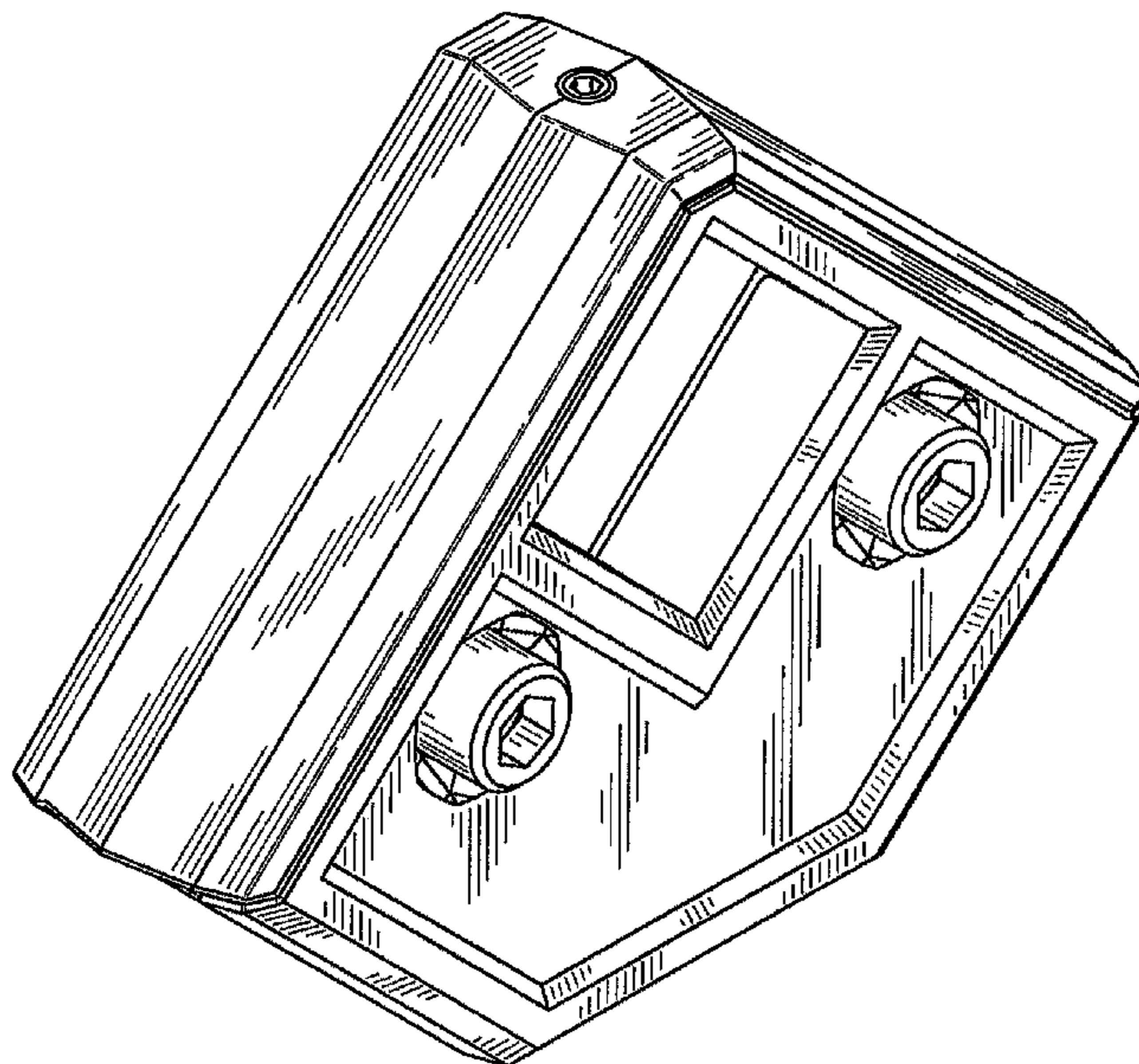
FIG. 5 is the other side elevational view of the snow guard clamp shown in FIG. 1;

FIG. 6 is a top elevational view of the snow guard clamp shown in FIG. 1; and,

FIG. 7 is a bottom elevational view of the snow guard clamp shown in FIG. 1.

The broken lines shown in the drawings are for the purpose of illustrating portions of the snow guard clamp and form no part of the claimed design.

1 Claim, 4 Drawing Sheets



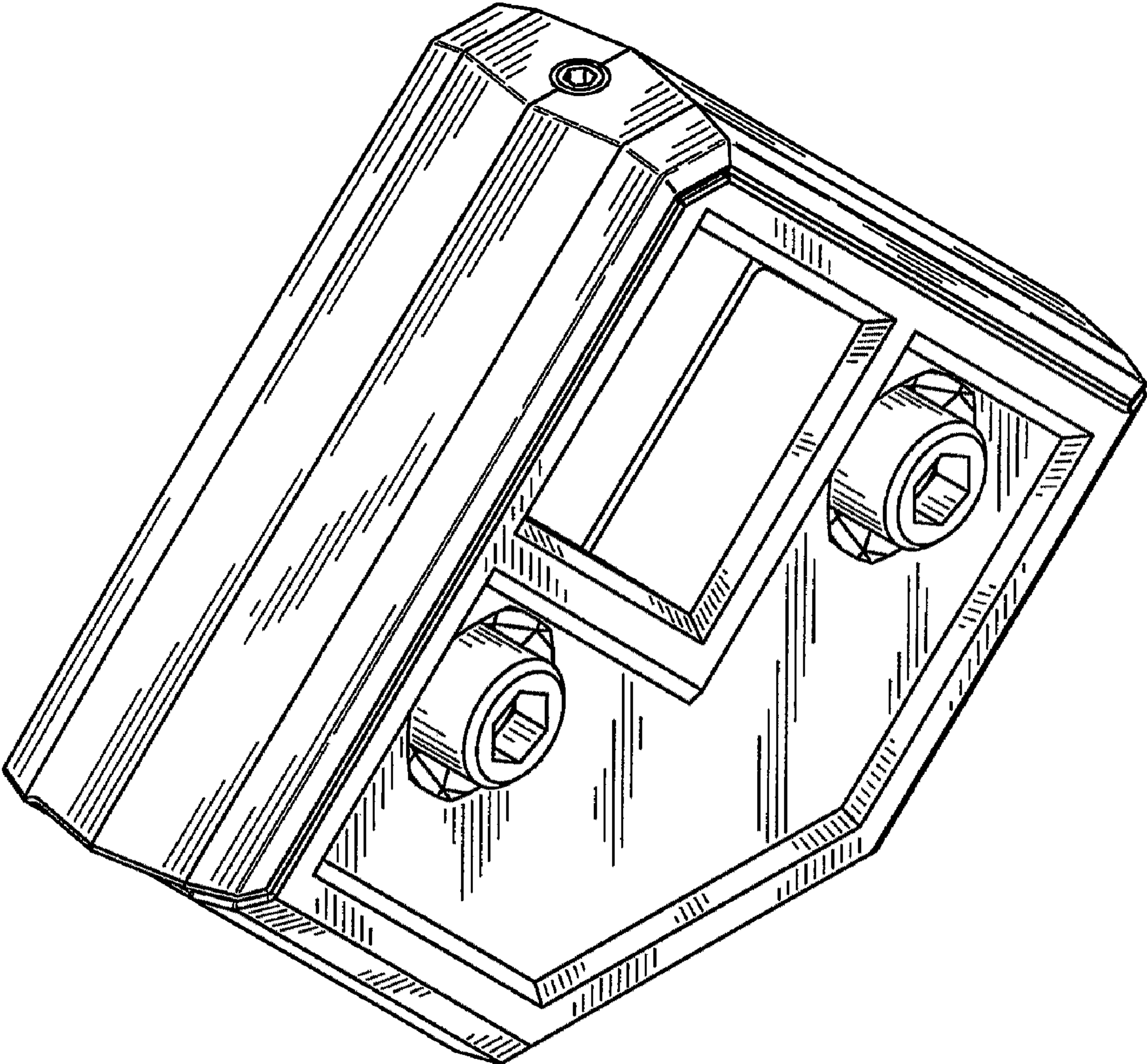


FIG. 1

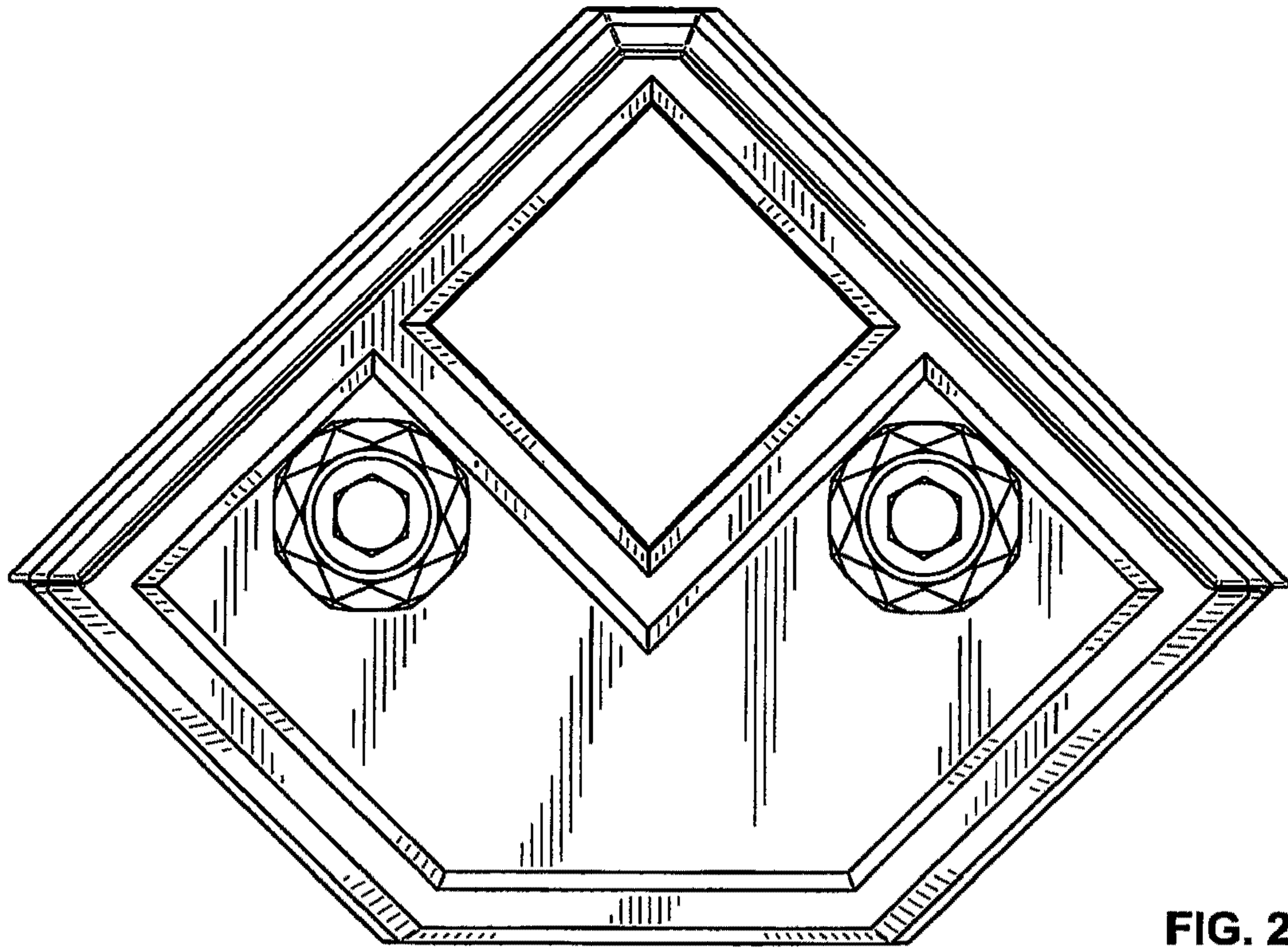


FIG. 2

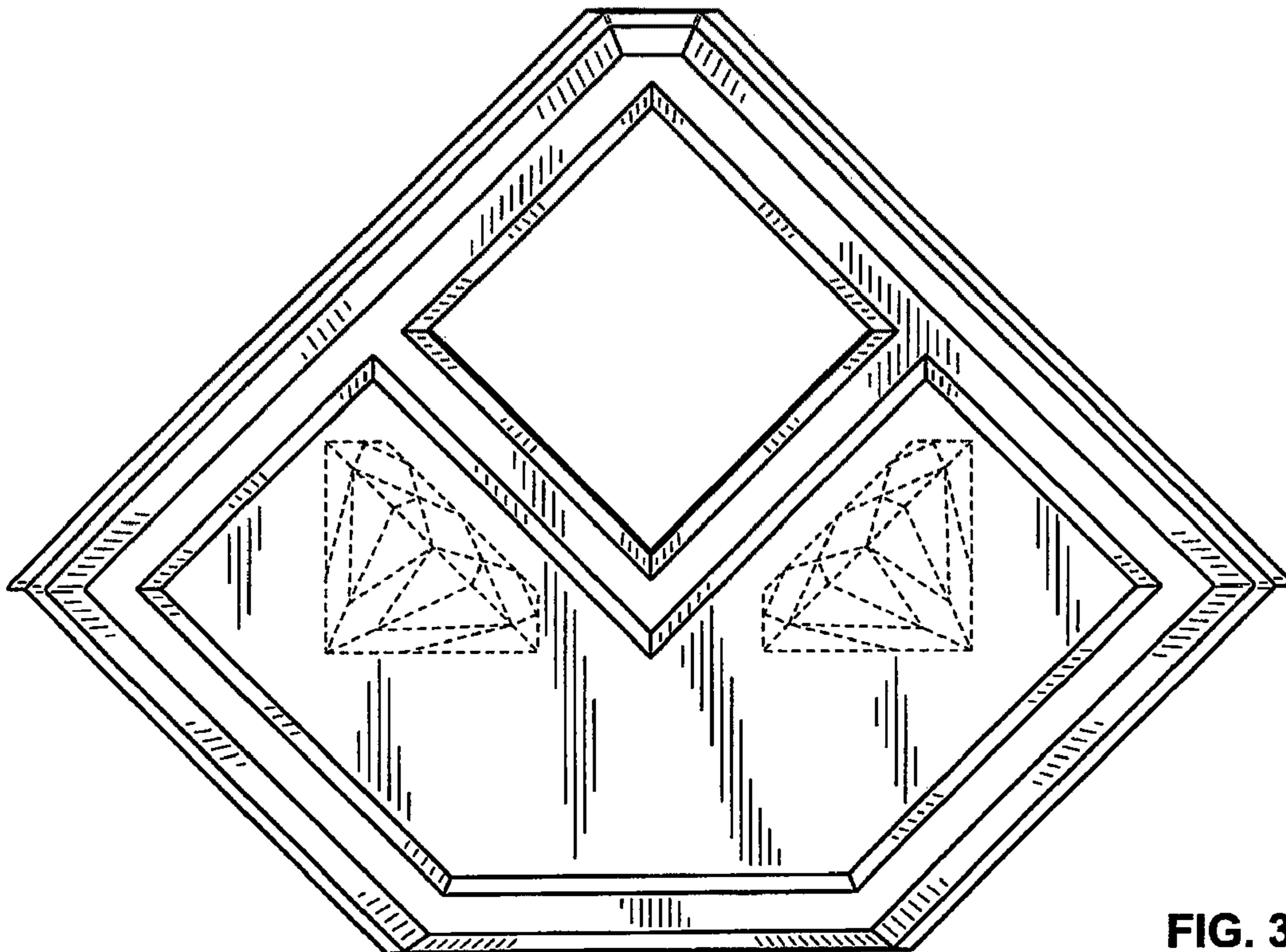


FIG. 3

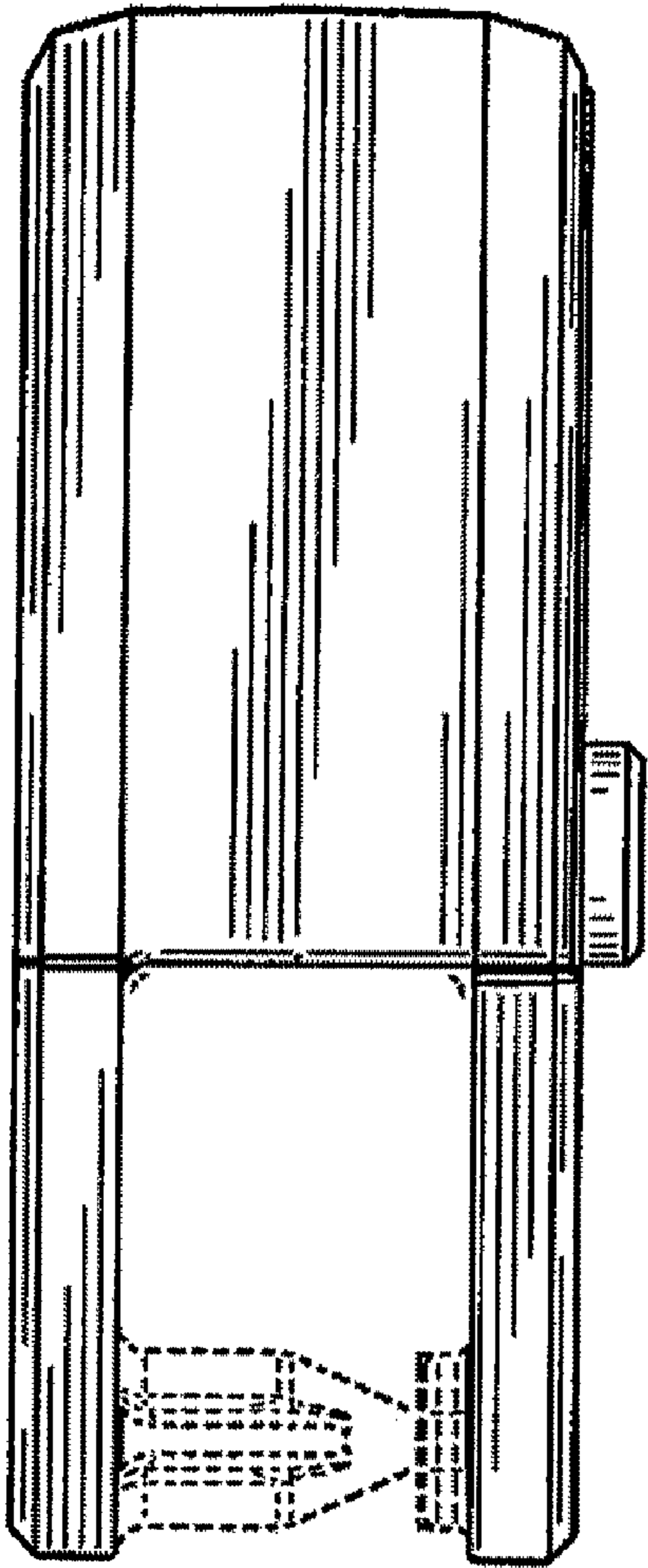


FIG. 4

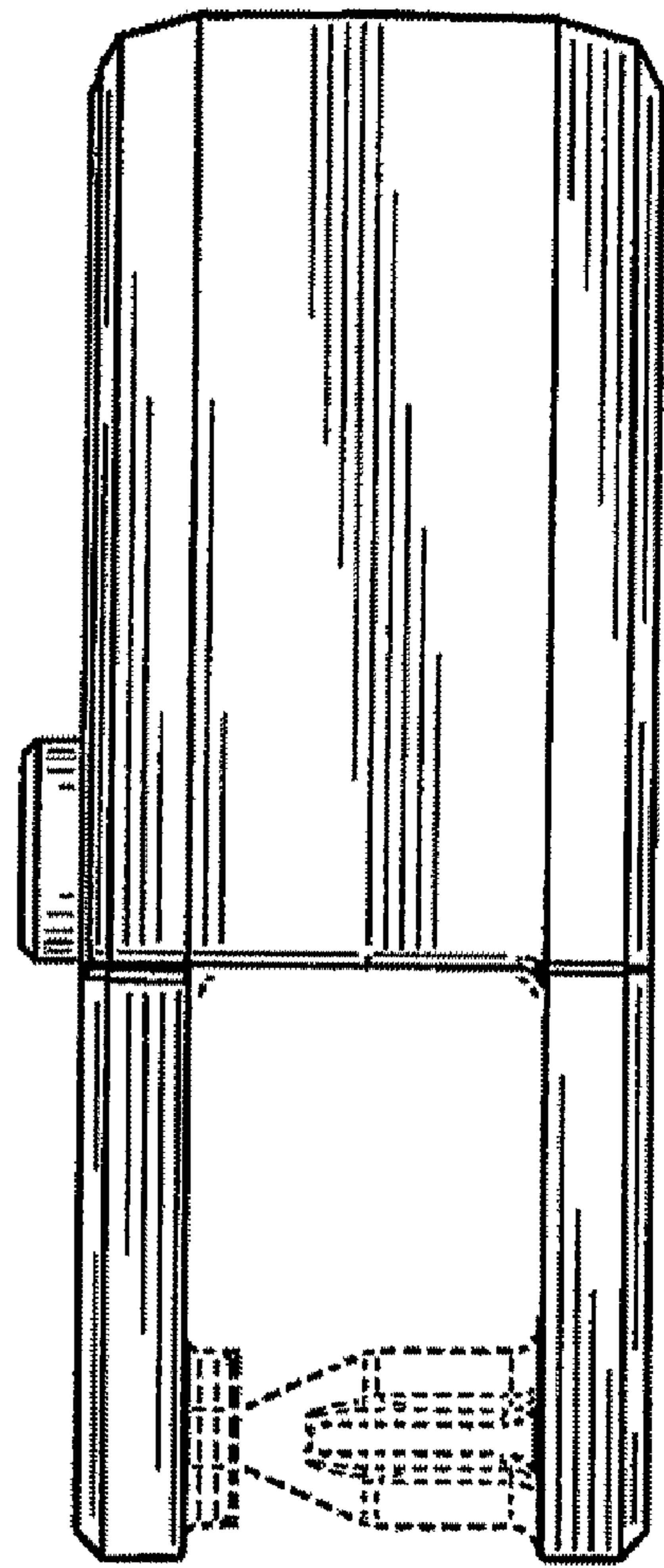


FIG. 5

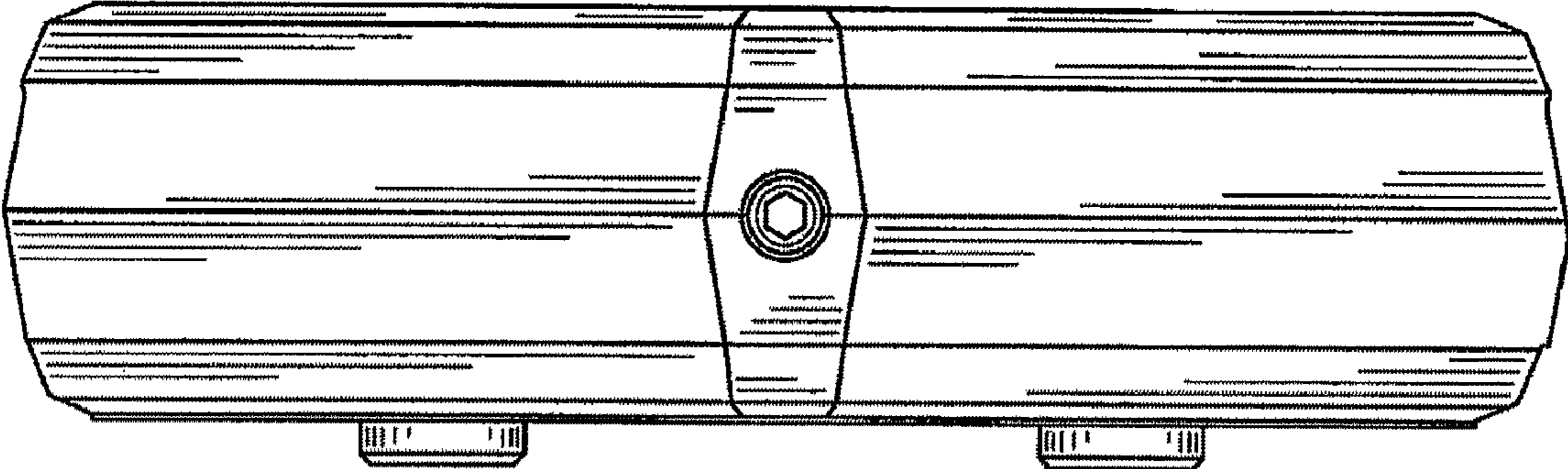


FIG. 6

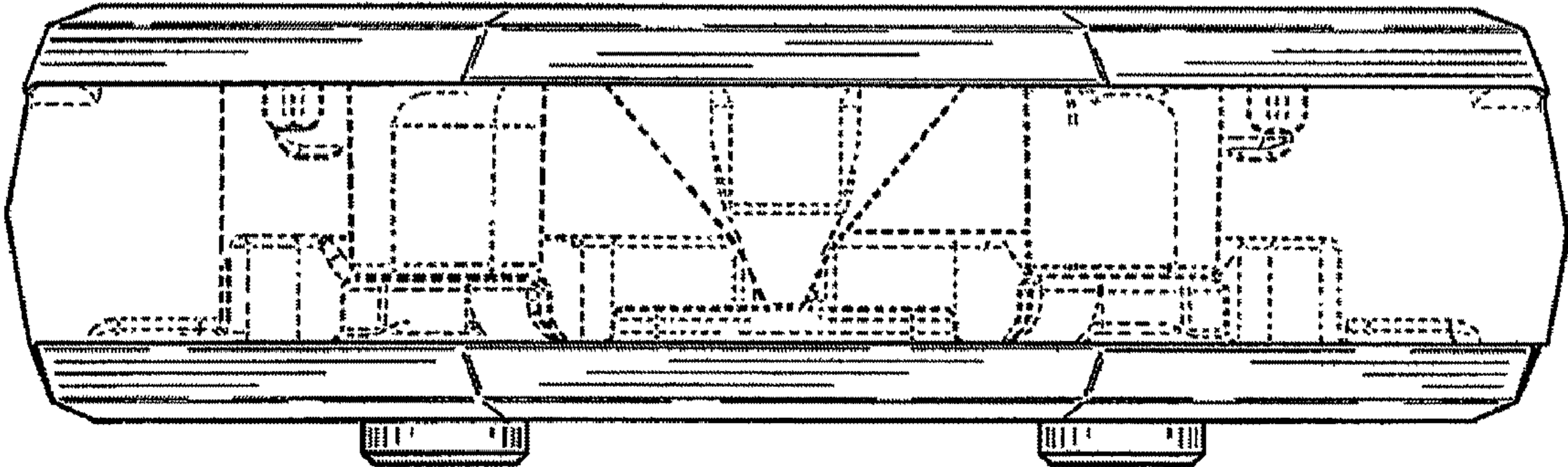


FIG. 7