

US00D596020S

(12) **United States Design Patent**  
**Lisowski**

(10) **Patent No.:** **US D596,020 S**

(45) **Date of Patent:** **\*\* Jul. 14, 2009**

(54) **ROLLER SHADE BRACKET**

(76) Inventor: **Walter E. Lisowski**, 3523 Kenton Ave.,  
Chicago, IL (US) 60641

(\*\*) Term: **14 Years**

(21) Appl. No.: **29/326,577**

(22) Filed: **Oct. 21, 2008**

(51) **LOC (9) Cl.** ..... **08-05**

(52) **U.S. Cl.** ..... **D8/380**

(58) **Field of Classification Search** ..... D8/40,  
D8/394, 381, 380, 373, 366, 354, 353, 349,  
D8/404; D25/132, 131, 126, 119; 52/687,  
52/686, 506.07, 506.06, 426; 248/267, 265,  
248/208, 243, 220.22; 211/59.1; D9/447,  
D9/435, 434

See application file for complete search history.

(56) **References Cited**

**U.S. PATENT DOCUMENTS**

- D21,627 S \* 6/1892 Meeker ..... D8/366
- 750,848 A \* 2/1904 Guiles ..... 248/208
- 4,249,714 A \* 2/1981 Boyle ..... 248/267
- 5,082,226 A \* 1/1992 Mahan ..... 248/265
- 5,558,804 A \* 9/1996 Doss-Desouza ..... 248/634
- 5,857,653 A \* 1/1999 Dujlovich ..... 248/267
- D427,888 S \* 7/2000 Hannon ..... D8/354

- D452,135 S \* 12/2001 Wyatt et al. .... D8/354
- D460,051 S \* 7/2002 Liao ..... D13/155
- D554,474 S \* 11/2007 Miller ..... D8/349
- D559,083 S \* 1/2008 Brassard ..... D8/354

\* cited by examiner

*Primary Examiner*—Susan Bennett Hattan

(74) *Attorney, Agent, or Firm*—Lydig, Voit & Mayer, Ltd.

(57) **CLAIM**

The ornamental design for a roller shade bracket, as substantially shown and described.

**DESCRIPTION**

FIG. 1 is a front perspective view of a roller shade bracket showing my new design, the dotted lines depicting environmental subject matter only and forming no part of the claimed design.

FIG. 2 is a front elevational view thereof;

FIG. 3 is a rear elevation view thereof;

FIG. 4 is a left side view thereof;

FIG. 5 is a right side view thereof;

FIG. 6 is a top plan elevation view thereof; and,

FIG. 7 is a bottom plan view thereof.

**1 Claim, 2 Drawing Sheets**

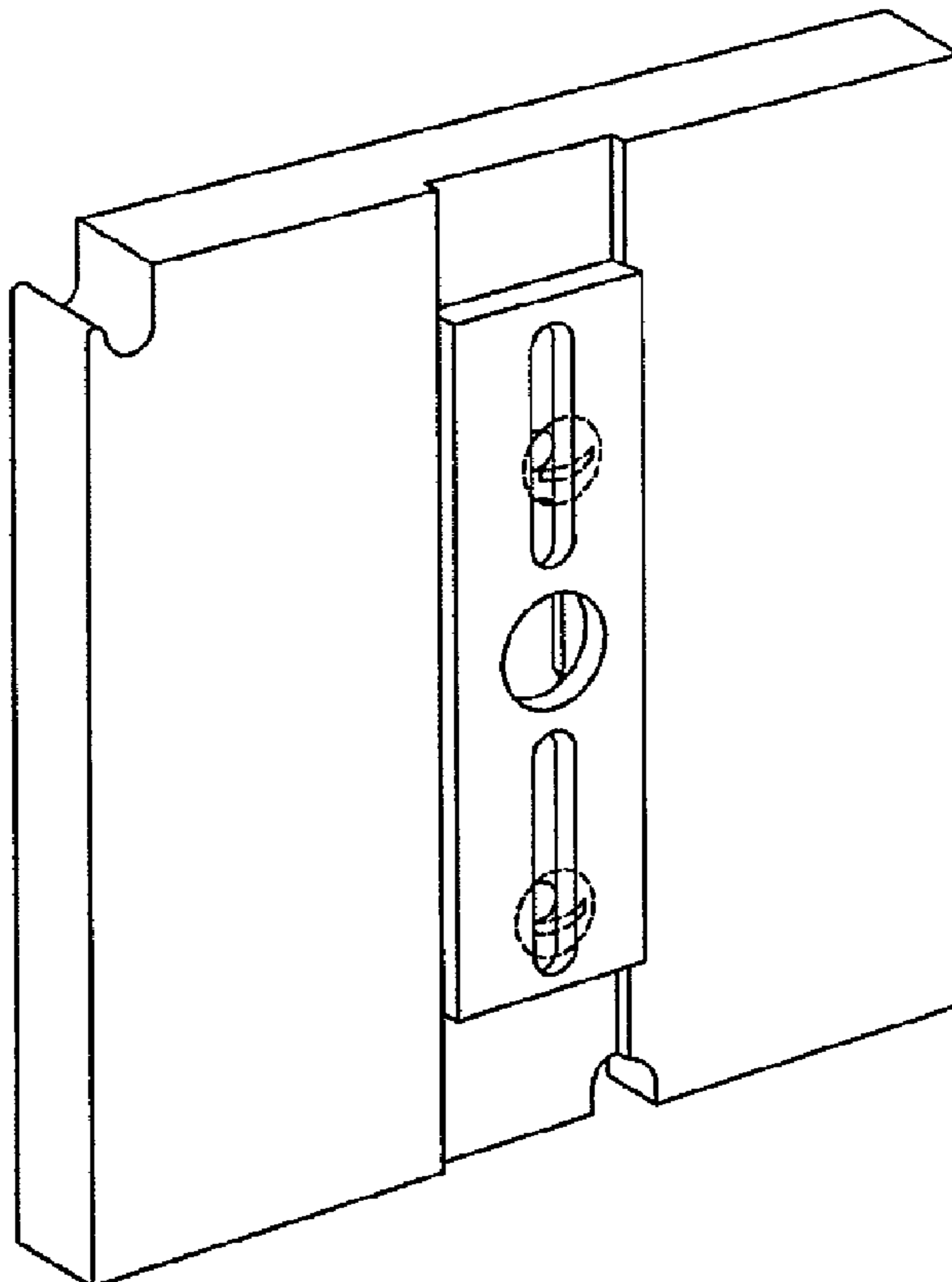


FIG. 1

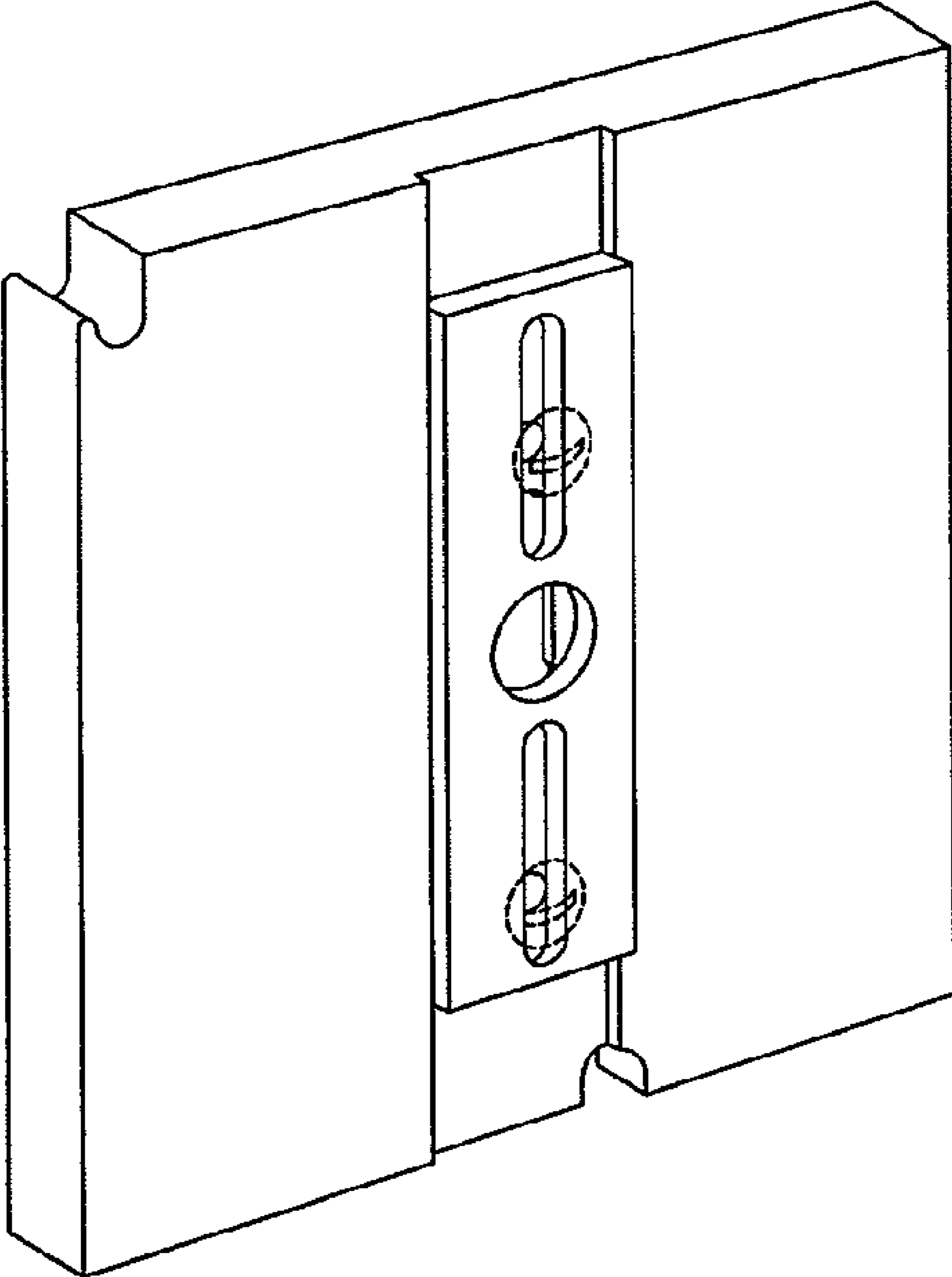


FIG. 6

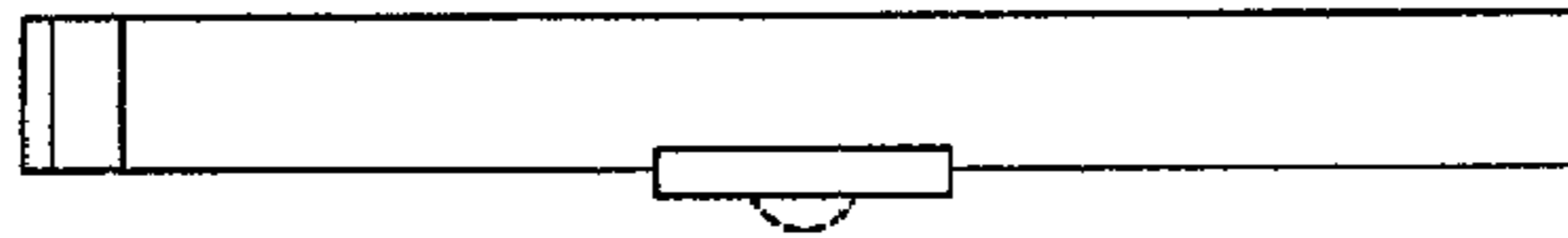


FIG. 2

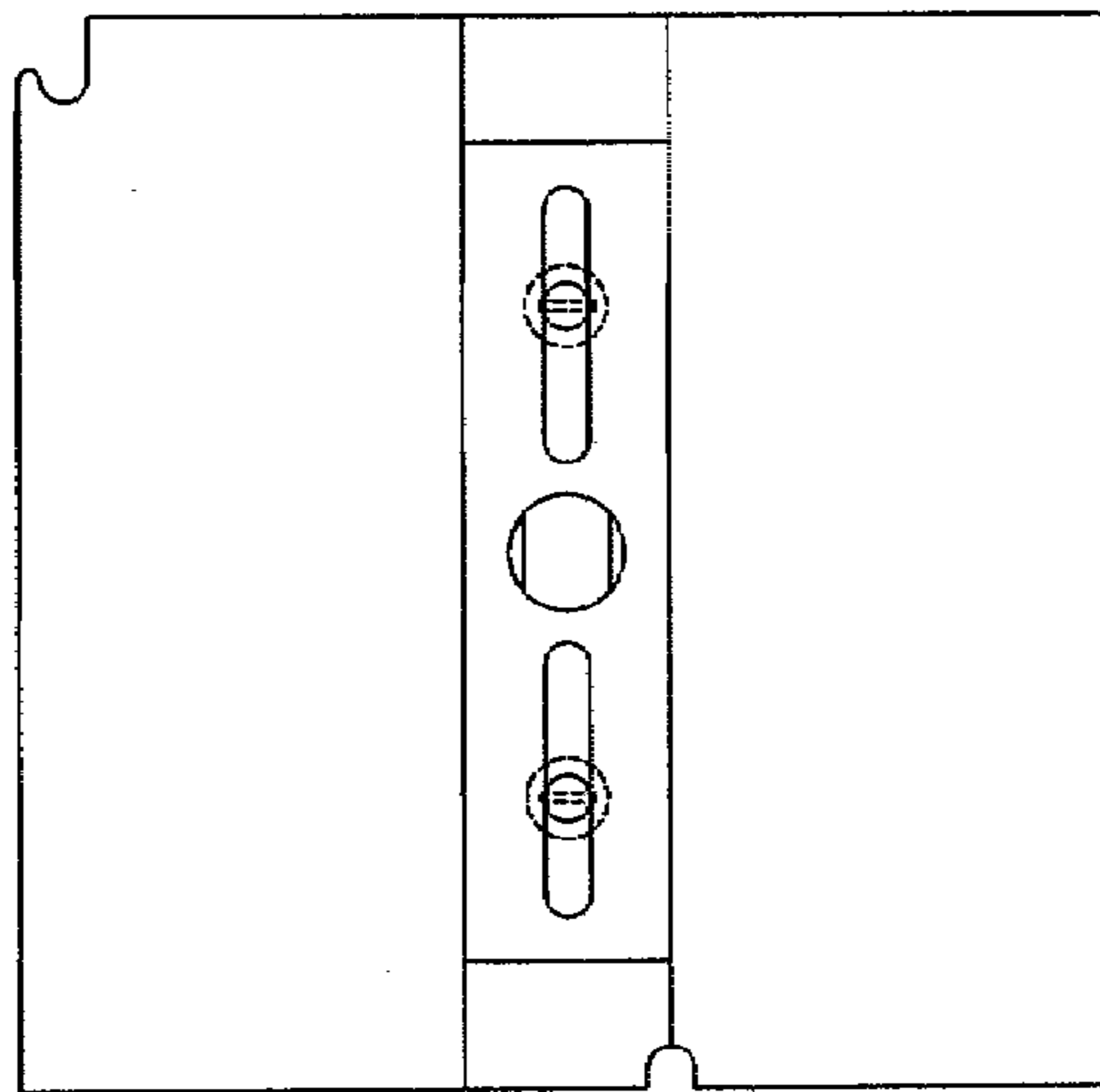


FIG. 4

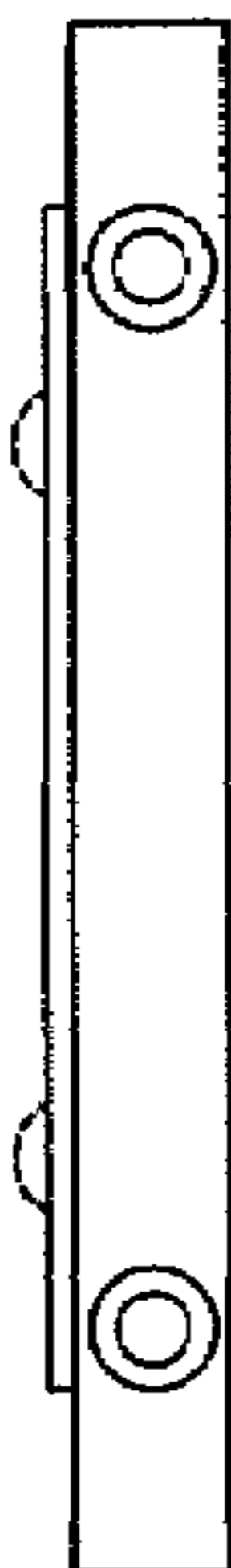


FIG. 3

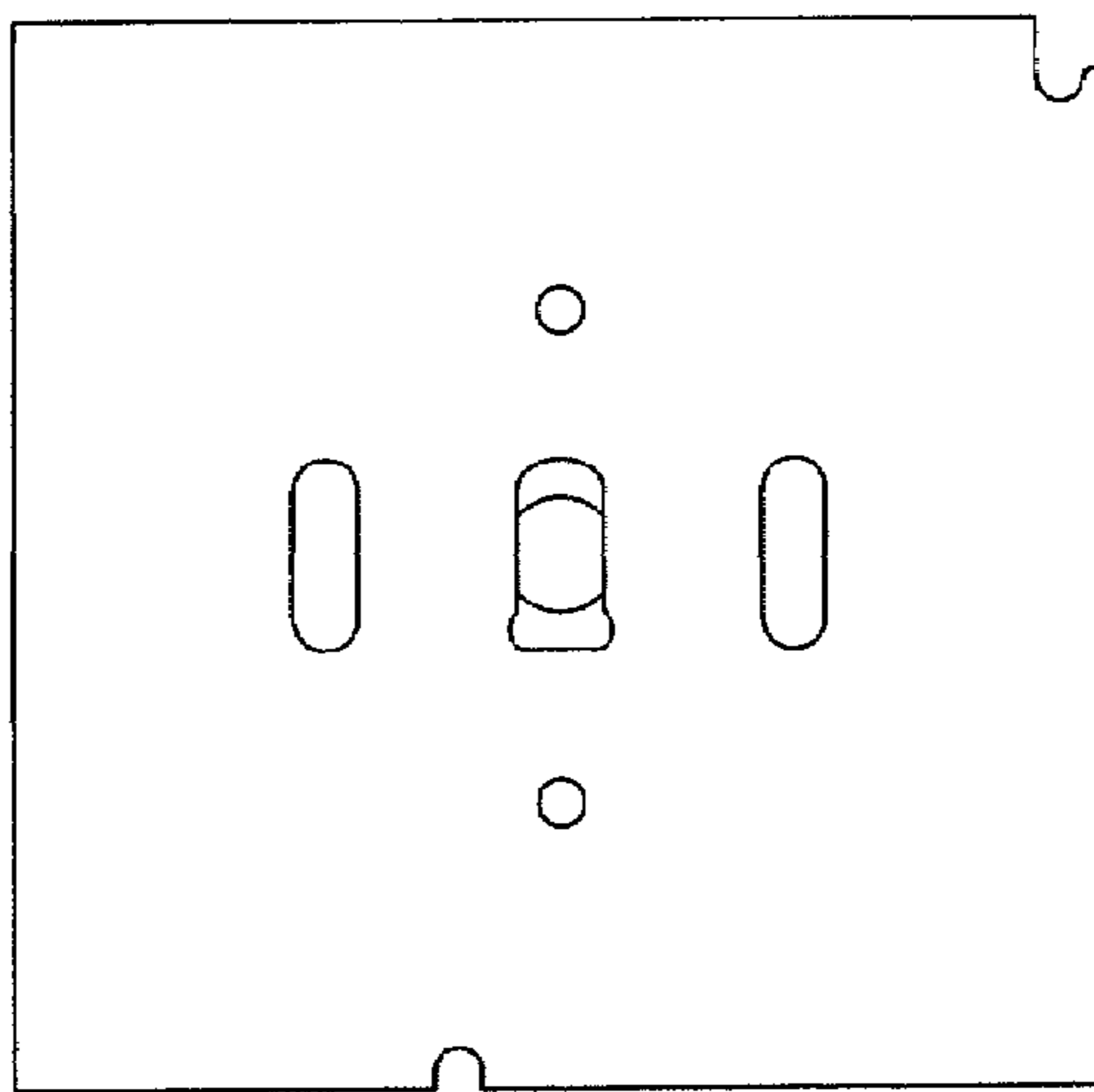


FIG. 5

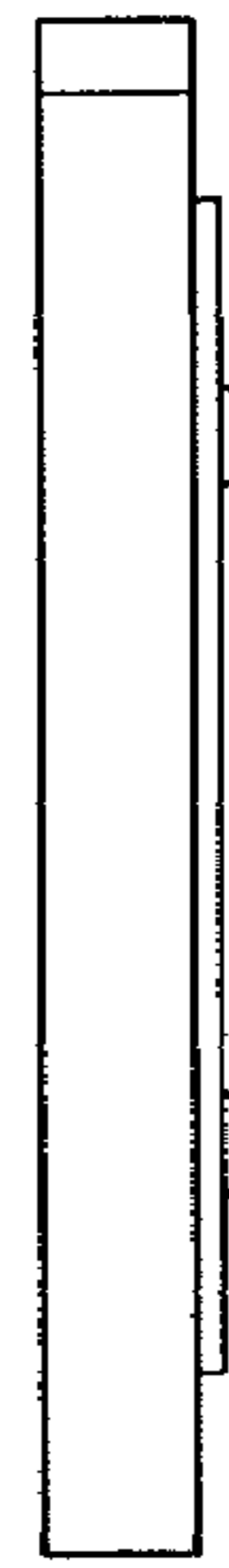


FIG. 7

