



US00D596019S

(12) **United States Design Patent**
Lisowski

(10) **Patent No.:** **US D596,019 S**

(45) **Date of Patent:** **** Jul. 14, 2009**

(54) **ROLLER SHADE BRACKET**

(76) Inventor: **Walter E. Lisowski**, 3523 Kenton Ave.,
Chicago, IL (US) 60641

(**) Term: **14 Years**

(21) Appl. No.: **29/322,868**

(22) Filed: **Aug. 13, 2008**

(51) **LOC (9) Cl.** **08-05**

(52) **U.S. Cl.** **D8/380**

(58) **Field of Classification Search** D8/40,
D8/394, 381, 380, 373, 366, 354, 353, 349,
D8/404; D25/132, 131, 126, 119; 52/687,
52/686, 506.07, 506.06, 426; 248/267, 265,
248/208, 243, 220.22; 211/59.1; D9/447,
D9/435, 434

See application file for complete search history.

(56) **References Cited**

U.S. PATENT DOCUMENTS

D21,627 S	6/1892	Meeker	
750,848 A	2/1904	Guiles	
4,249,714 A	2/1981	Boyle	
5,082,226 A	1/1992	Mahan	
5,558,804 A *	9/1996	Doss-Desouza	248/634
5,857,653 A	1/1999	Dujlovich	
D427,888 S *	7/2000	Hannon	D8/354

D452,135 S *	12/2001	Wyatt et al.	D8/354
D460,051 S *	7/2002	Liao	D13/155
D554,474 S *	11/2007	Miller	D8/349
D559,083 S *	1/2008	Brassard	D8/354

* cited by examiner

Primary Examiner—Susan Bennett Hattan

(74) *Attorney, Agent, or Firm*—Leydig, Voit & Mayer, Ltd.

(57) **CLAIM**

The ornamental design for a roller shade bracket, as substantially shown and described.

DESCRIPTION

FIG. 1 is a front perspective view of a roller shade bracket showing my new design, the dotted lines depicting environmental subject matter only and forming no part of the claimed design.

FIG. 2 is a front elevational view thereof;

FIG. 3 is a rear elevation view thereof;

FIG. 4 is a left side view thereof;

FIG. 5 is a right side view thereof;

FIG. 6 is a top plan elevation view thereof; and,

FIG. 7 is a bottom plan view thereof.

1 Claim, 2 Drawing Sheets

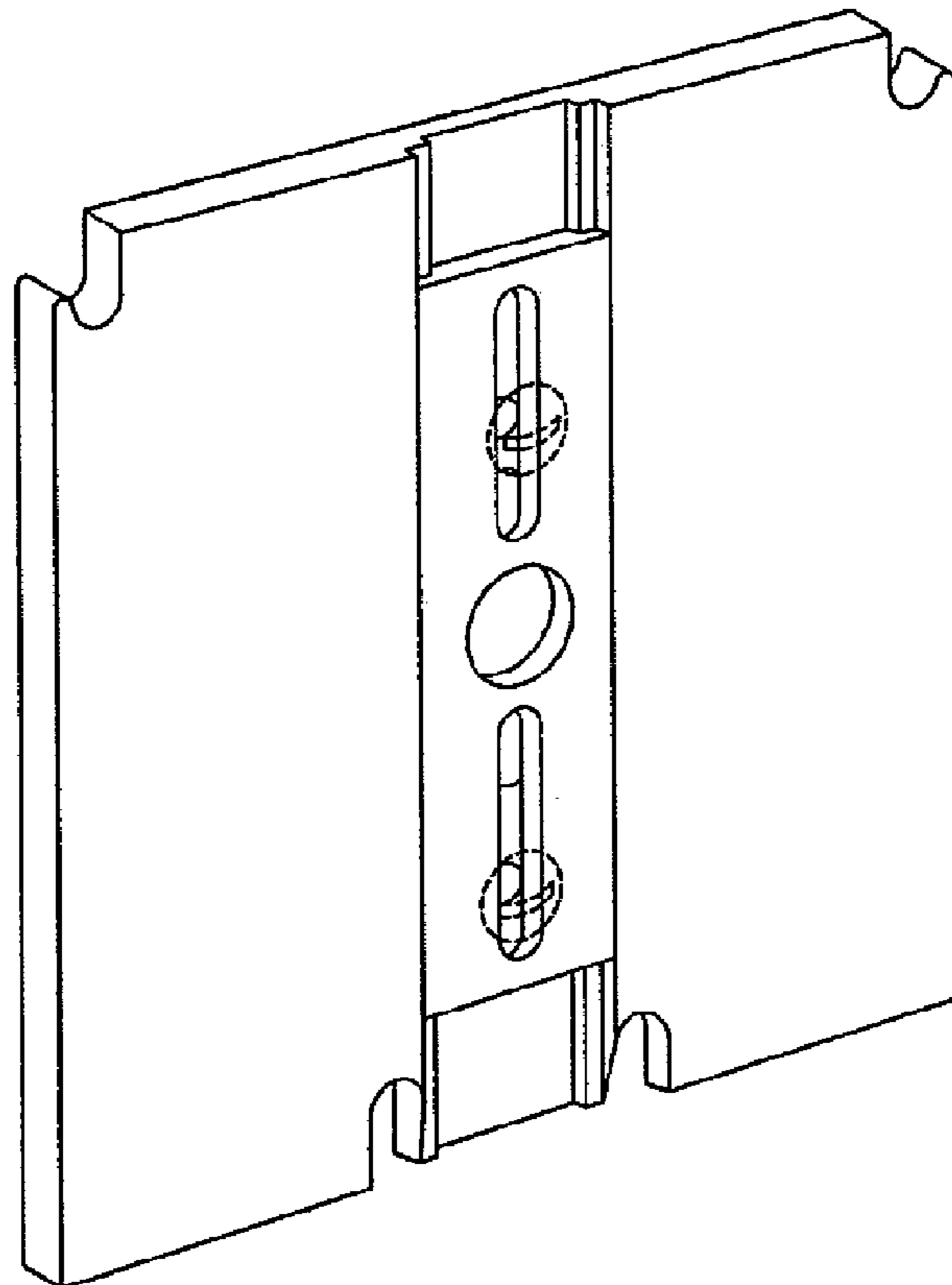


FIG. 1

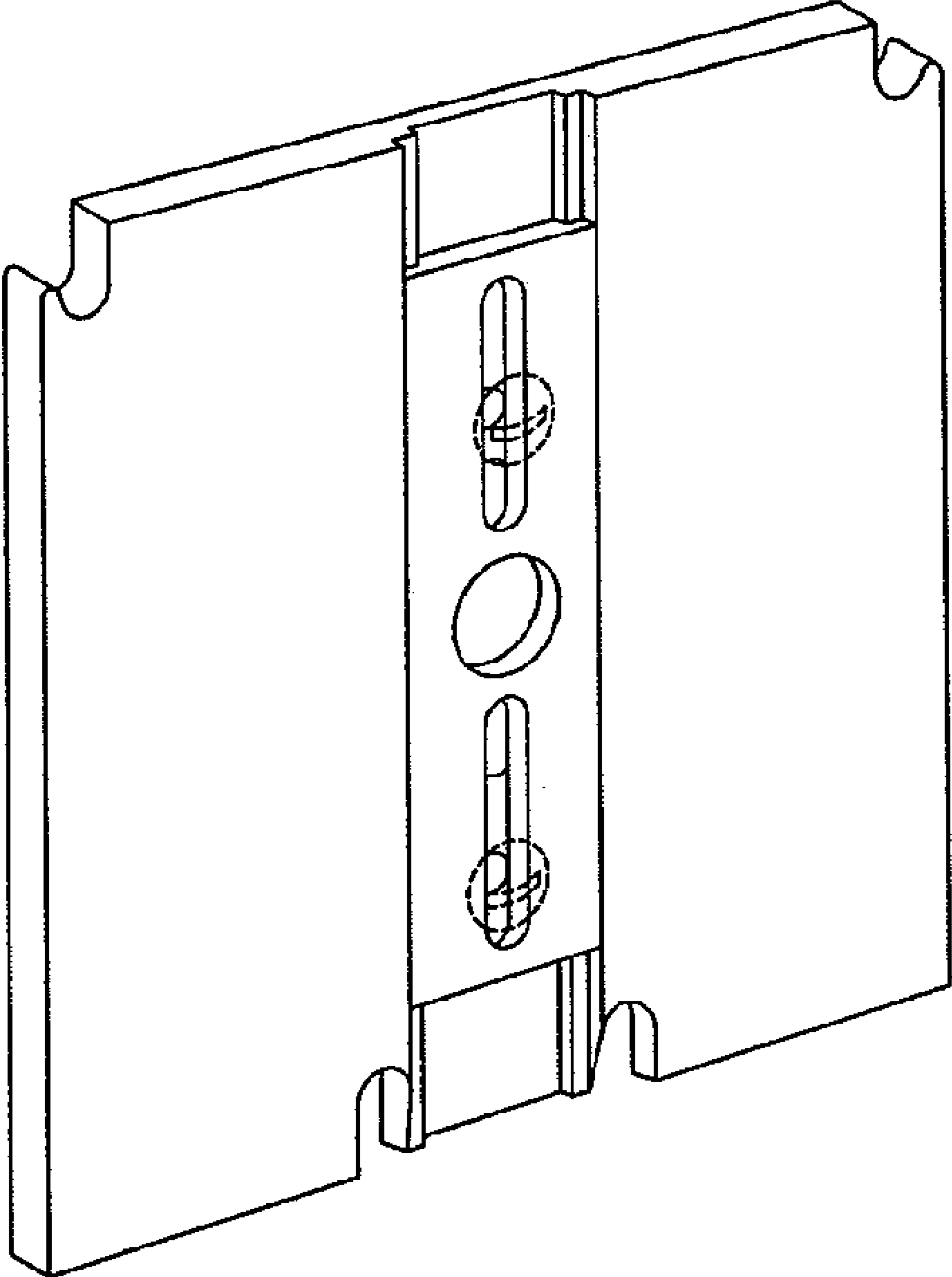


FIG. 6

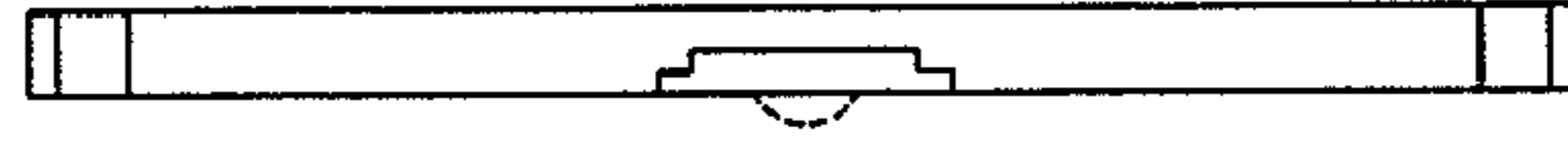


FIG. 2

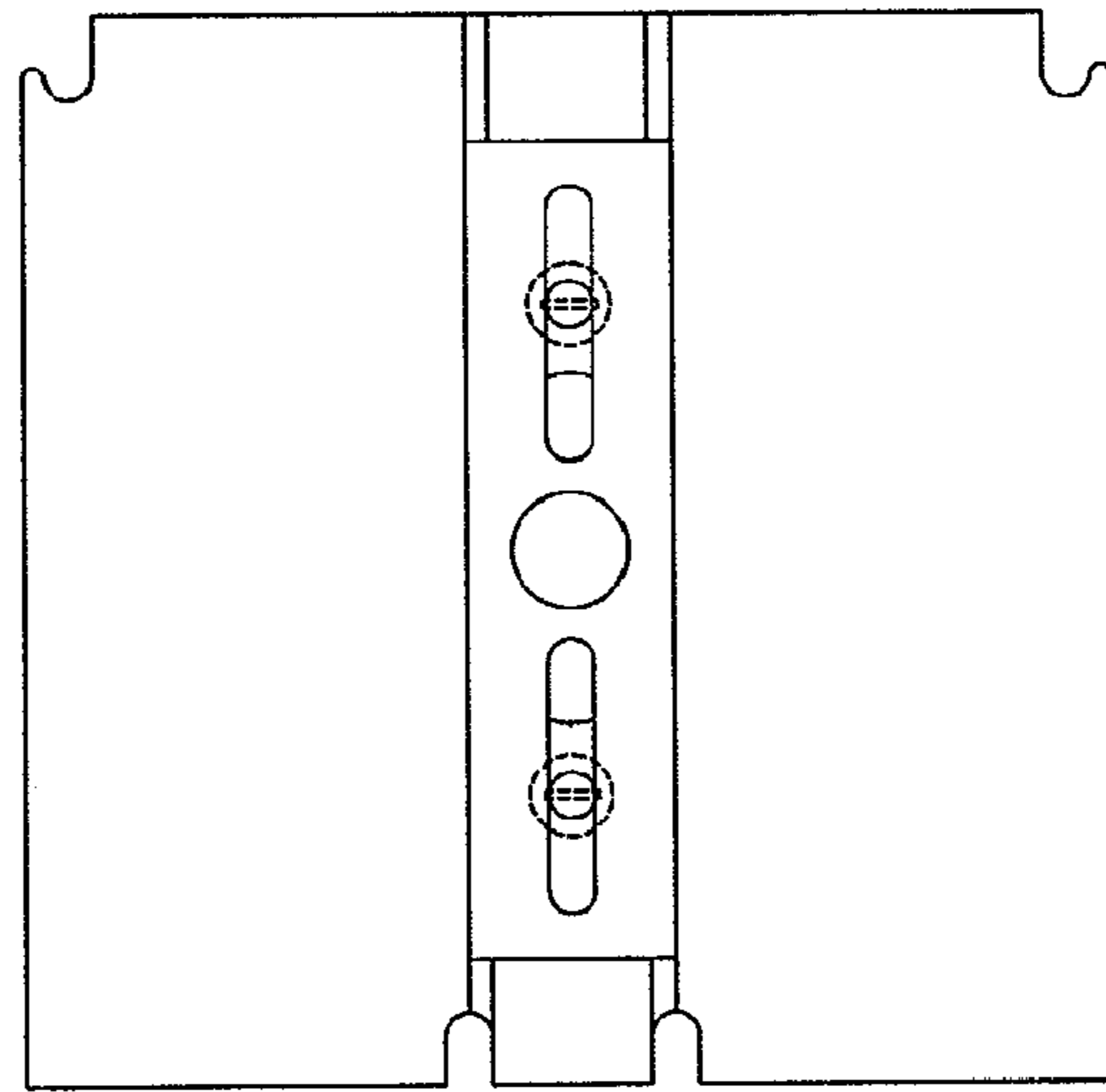


FIG. 4



FIG. 3

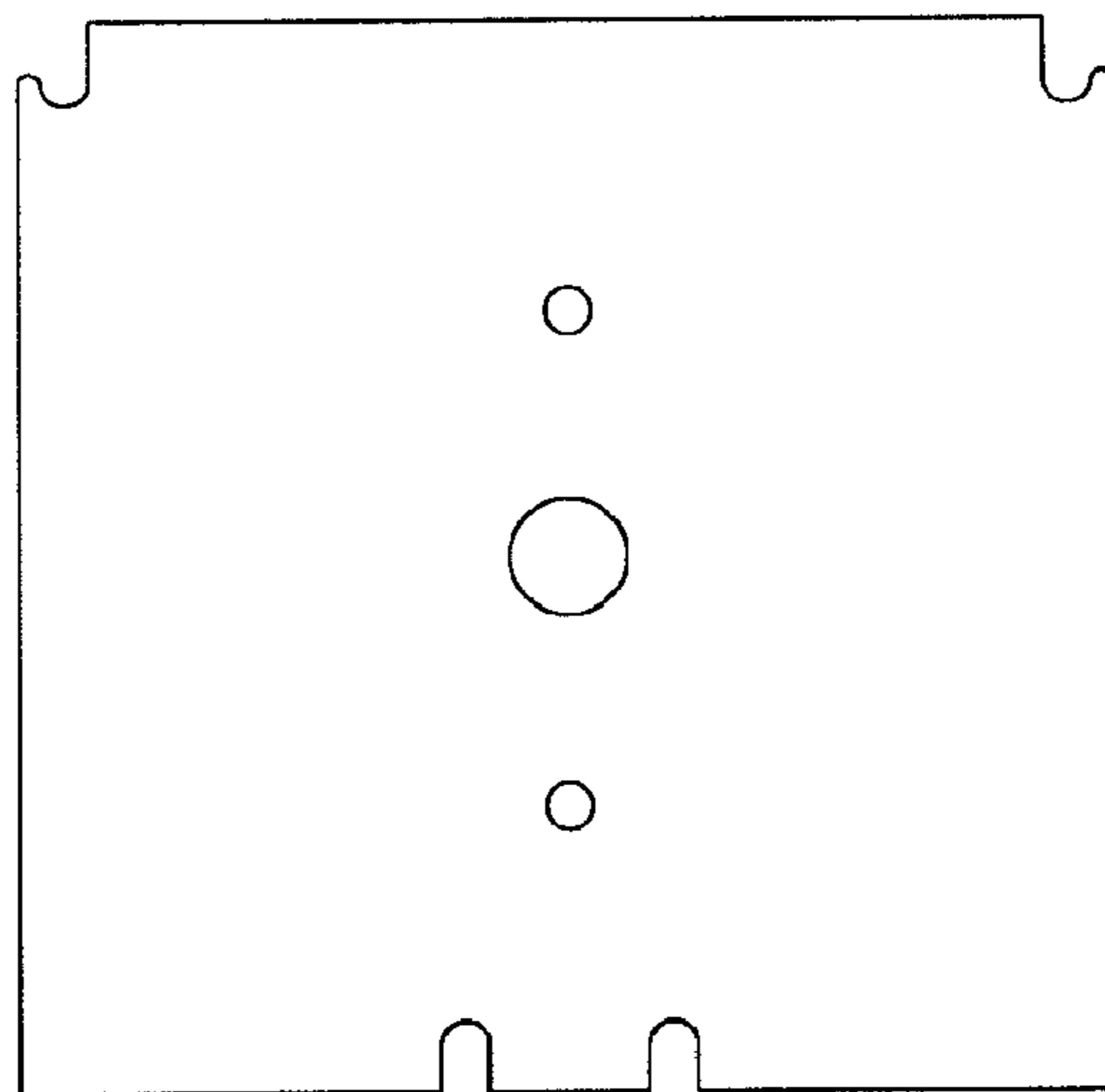


FIG. 5



FIG. 7

