

US00D596018S

(12) **United States Design Patent**
Lisowski

(10) **Patent No.:** **US D596,018 S**

(45) **Date of Patent:** **** Jul. 14, 2009**

(54) **ROLLER SHADE BRACKET**

(76) Inventor: **Walter E. Lisowski**, 3523 Kenton Ave.,
Chicago, IL (US) 60641

(**) Term: **14 Years**

(21) Appl. No.: **29/322,866**

(22) Filed: **Aug. 13, 2008**

(51) **LOC (9) Cl.** **08-05**

(52) **U.S. Cl.** **D8/380**

(58) **Field of Classification Search** D8/40,
D8/394, 381, 380, 373, 366, 354, 353, 349,
D8/404; D25/132, 131, 126, 119; 52/687,
52/686, 506.07, 506.06, 426; 248/267, 265,
248/208, 243, 220.22; 211/59.1; D9/447,
D9/435, 434

See application file for complete search history.

(56) **References Cited**

U.S. PATENT DOCUMENTS

- D21,627 S 6/1892 Meeker
- 750,848 A 2/1904 Guiles
- 4,249,714 A 2/1981 Boyle
- 5,082,226 A 1/1992 Mahan
- 5,558,804 A * 9/1996 Doss-Desouza 248/634

- 5,857,653 A 1/1999 Dujlovich
- D427,888 S * 7/2000 Hannon D8/354
- D452,135 S * 12/2001 Wyatt et al. D8/354
- D460,051 S * 7/2002 Liao D13/155
- D554,474 S * 11/2007 Miller D8/349
- D559,083 S * 1/2008 Brassard D8/354

* cited by examiner

Primary Examiner—Susan Bennett Hattan

(74) *Attorney, Agent, or Firm*—Leydig, Voit & Mayer, Ltd.

(57) **CLAIM**

The ornamental design for a roller shade bracket, as substantially shown and described.

DESCRIPTION

FIG. 1 is a front perspective view of a roller shade bracket showing my new design;

FIG. 2 is a front elevational view thereof;

FIG. 3 is a rear elevation view thereof;

FIG. 4 is a left side view thereof;

FIG. 5 is a right side view thereof;

FIG. 6 is a top plan elevation view thereof; and,

FIG. 7 is a bottom plan view thereof.

1 Claim, 2 Drawing Sheets

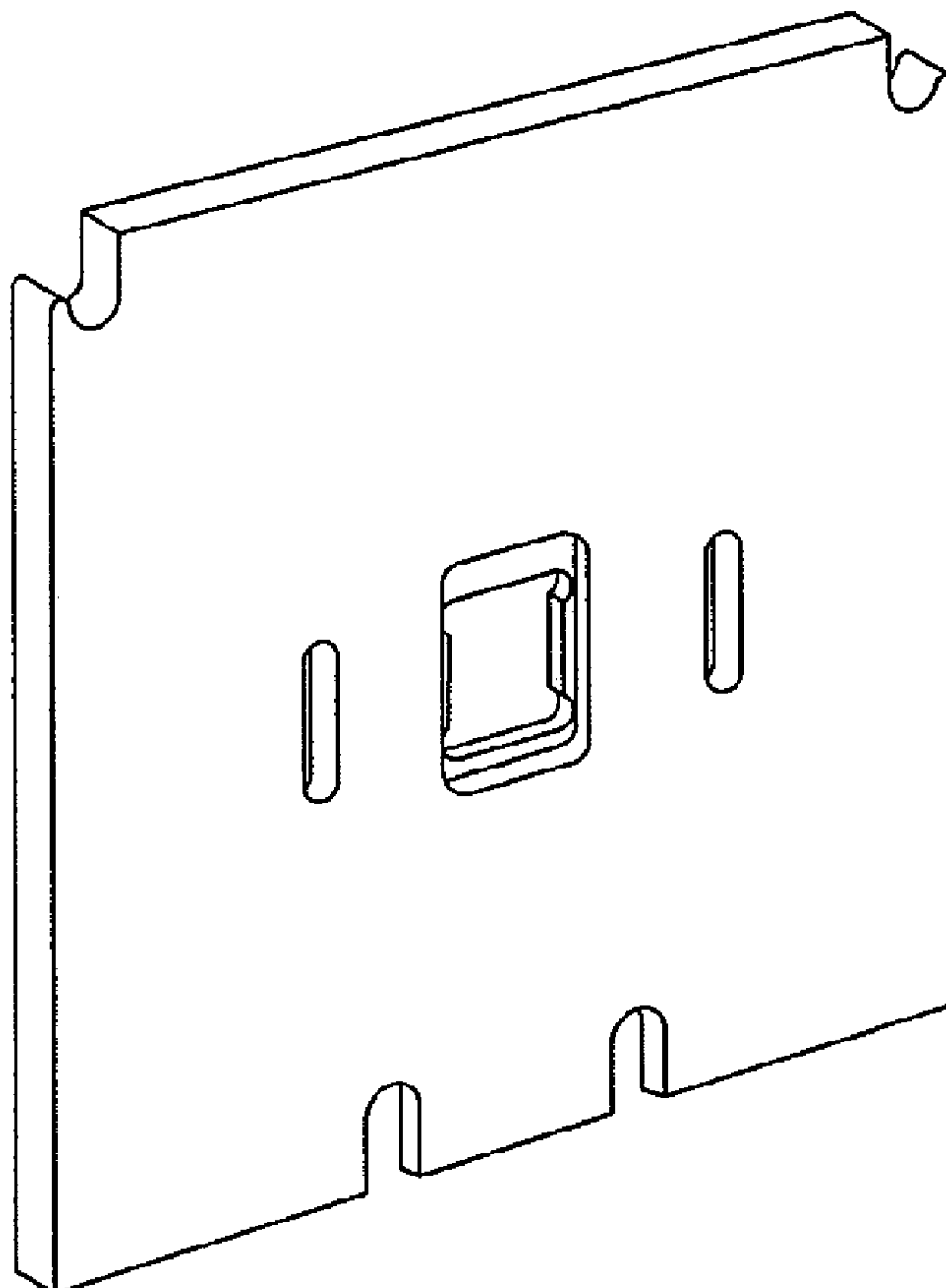


FIG. 1

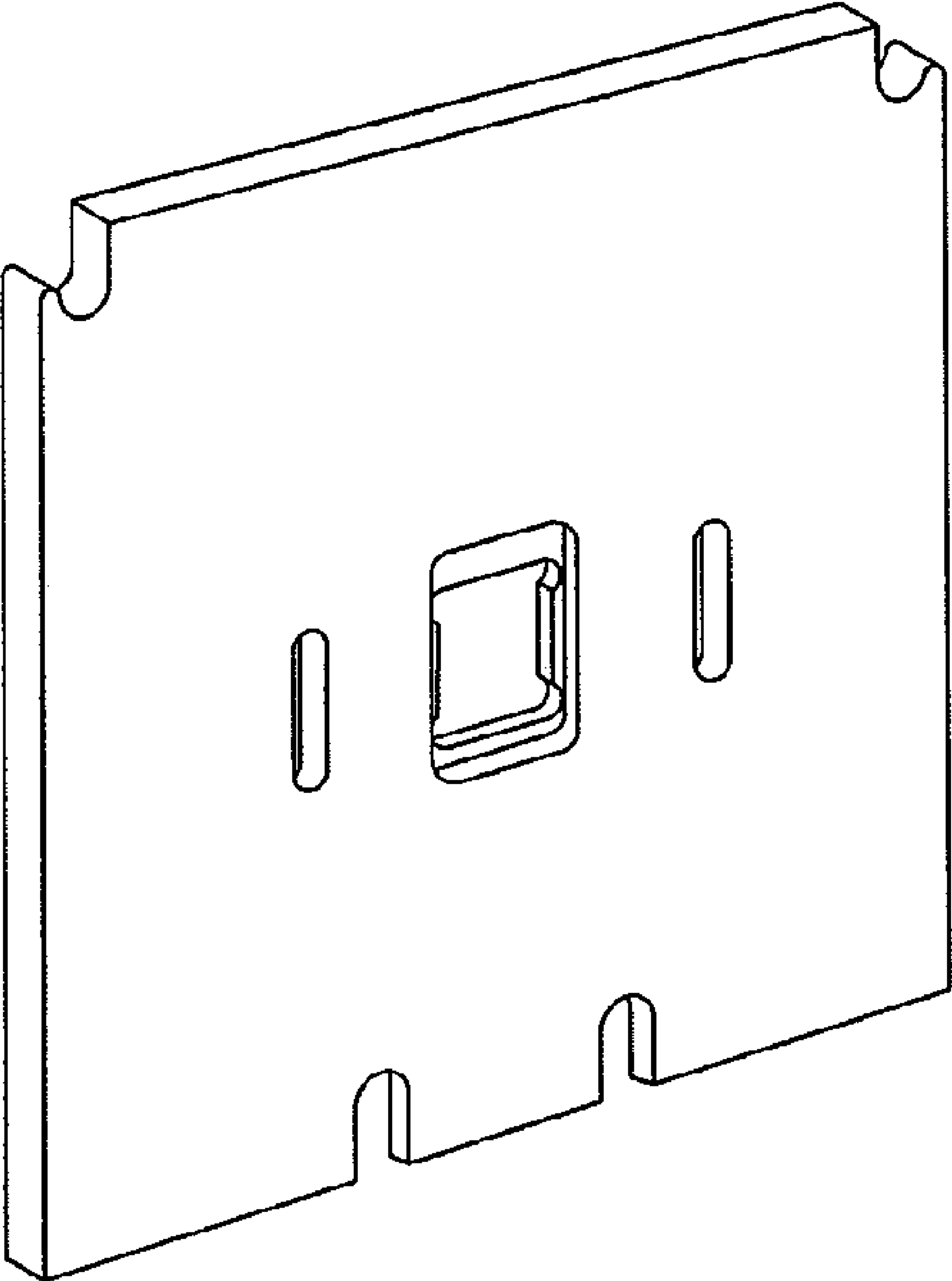


FIG. 6



FIG. 2

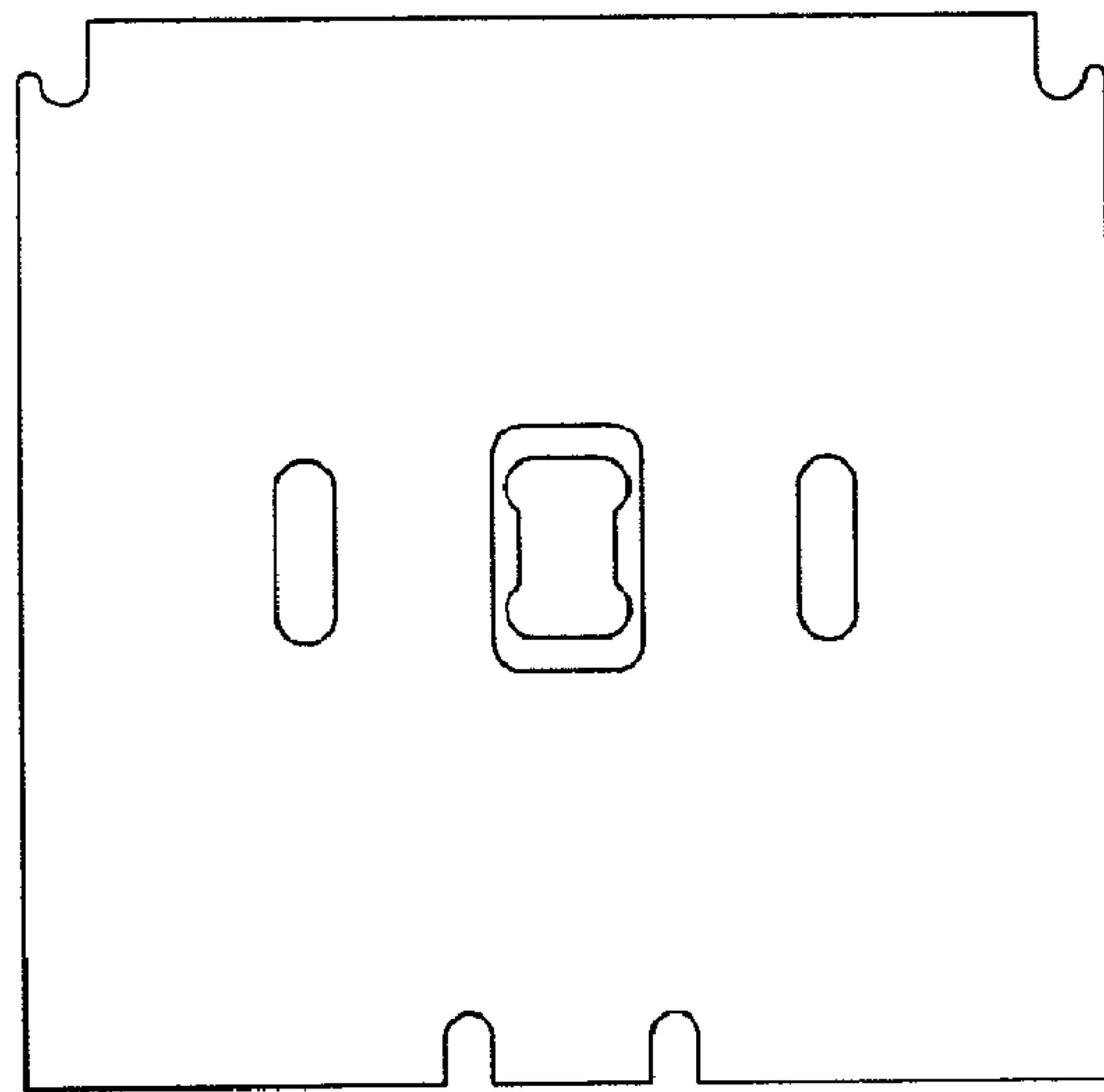


FIG. 4



FIG. 3

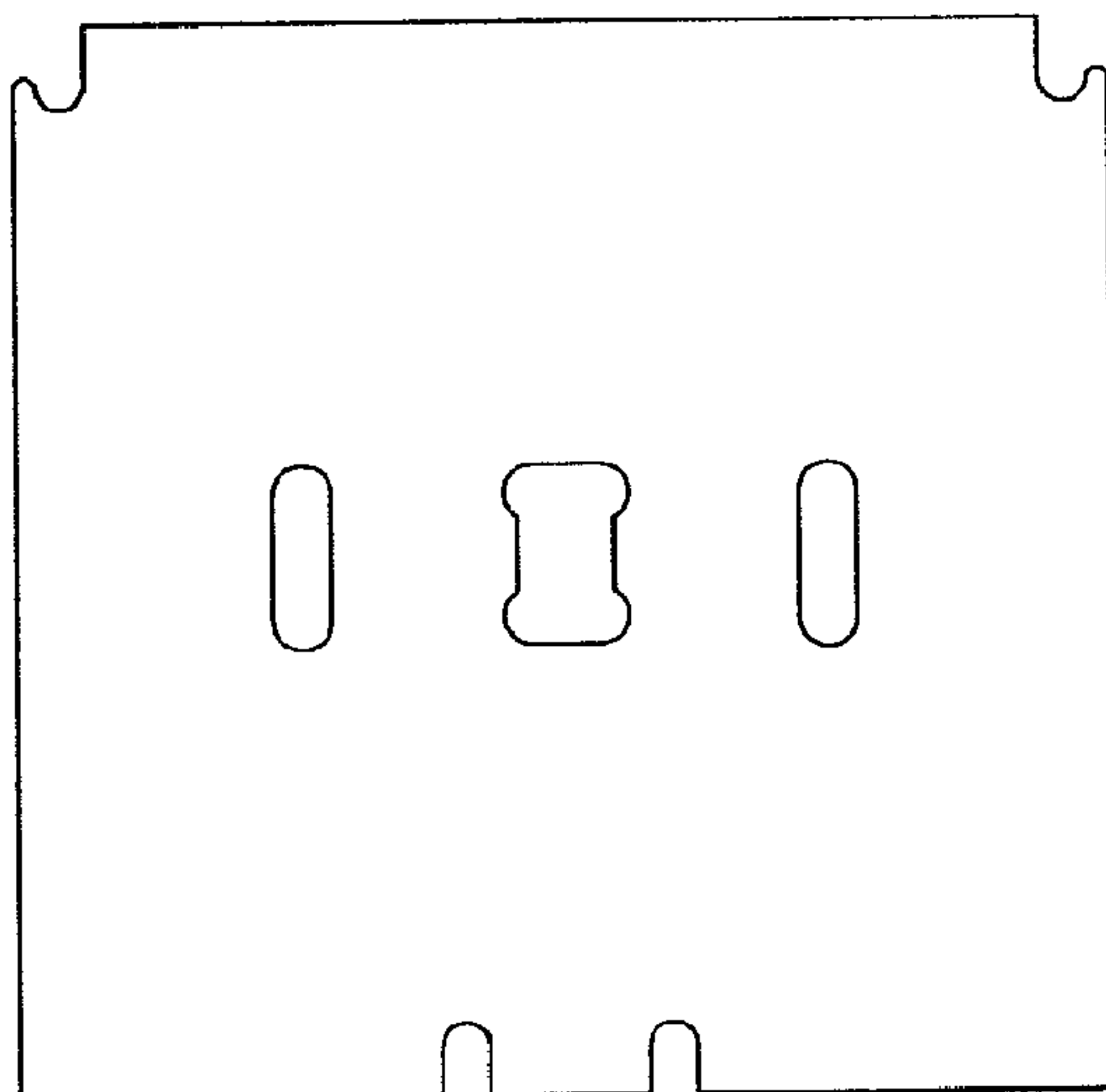


FIG. 5



FIG. 7

