



US00D596011S

(12) **United States Design Patent**  
**Almayda**

(10) **Patent No.:** **US D596,011 S**  
(45) **Date of Patent:** **\*\* Jul. 14, 2009**

(54) **FIRE FIGHTER HAND TOOL**

(76) Inventor: **Victor J. Almayda**, P.O. Box 232,  
Banner Elk, NC (US) 28604

(\*\*) Term: **14 Years**

(21) Appl. No.: **29/331,653**

(22) Filed: **Jan. 29, 2009**

(51) **LOC (9) Cl.** ..... **08-05**

(52) **U.S. Cl.** ..... **D8/105**

(58) **Field of Classification Search** ..... D8/81,  
D8/40, 23, 18, 17, 105; D3/210; 81/488,  
81/125.1; 7/147, 145, 144, 118; 30/299;  
294/19.1; 239/600

See application file for complete search history.

(56) **References Cited**

**U.S. PATENT DOCUMENTS**

D116,179	S	*	8/1939	Yates, Jr.	.....	D8/17
D118,329	S	*	12/1939	Crowley	.....	D3/210
2,230,376	A	*	2/1941	Cullen	.....	7/144
3,705,430	A	*	12/1972	Ziaylek, Jr.	.....	7/147
D257,822	S	*	1/1981	Bay, Jr.	.....	D8/18
D275,258	S	*	8/1984	Albrecht	.....	D8/17
D302,514	S	*	8/1989	Gates	.....	D8/105
D304,899	S	*	12/1989	Liu	.....	D8/23
D306,124	S	*	2/1990	Hoilien	.....	D8/18
D311,667	S	*	10/1990	Cholagh	.....	D8/18

D361,024	S	*	8/1995	Chuck	.....	D8/40
D445,655	S	*	7/2001	Maddox	.....	D8/17
D477,523	S	*	7/2003	Malvasio	.....	D8/105
D479,970	S	*	9/2003	Hutchinson	.....	D8/88
7,040,203	B1	*	5/2006	Chistiano	.....	81/488

\* cited by examiner

*Primary Examiner*—Cathron C Brooks

*Assistant Examiner*—Austin Murphy

(74) *Attorney, Agent, or Firm*—QuickPatents, Inc.; Kevin Prince

(57) **CLAIM**

I claim the ornamental design for a fire fighter hand tool, as shown and described.

**DESCRIPTION**

FIG. 1 is a perspective view of a fire fighter hand tool, showing my new design;

FIG. 2 is a front elevational view thereof;

FIG. 3 is a bottom plan view thereof;

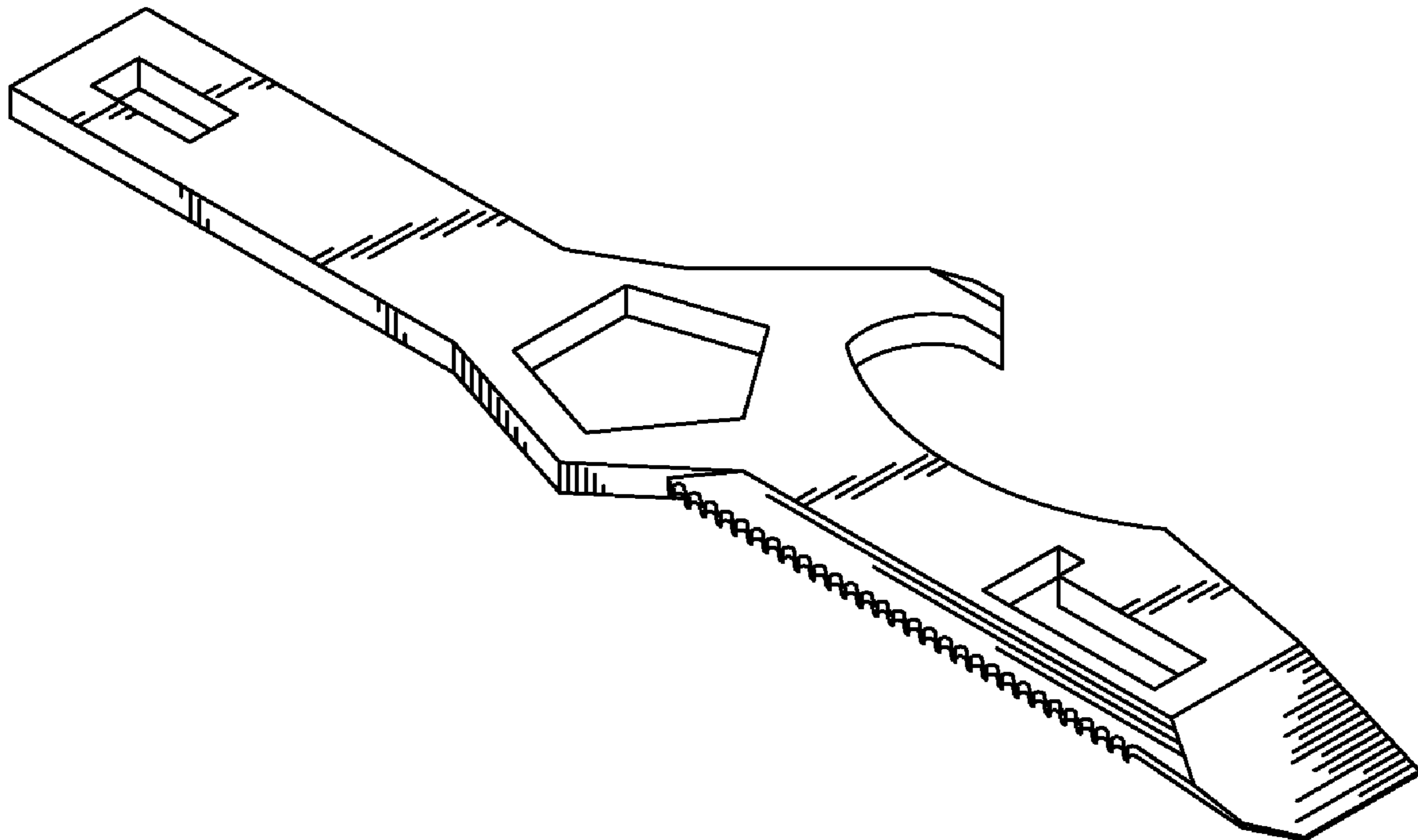
FIG. 4 is a rear elevational view thereof;

FIG. 5 is a top plan view thereof;

FIG. 6 is a left side elevational view thereof; and,

FIG. 7 is a right side elevational view thereof.

**1 Claim, 2 Drawing Sheets**



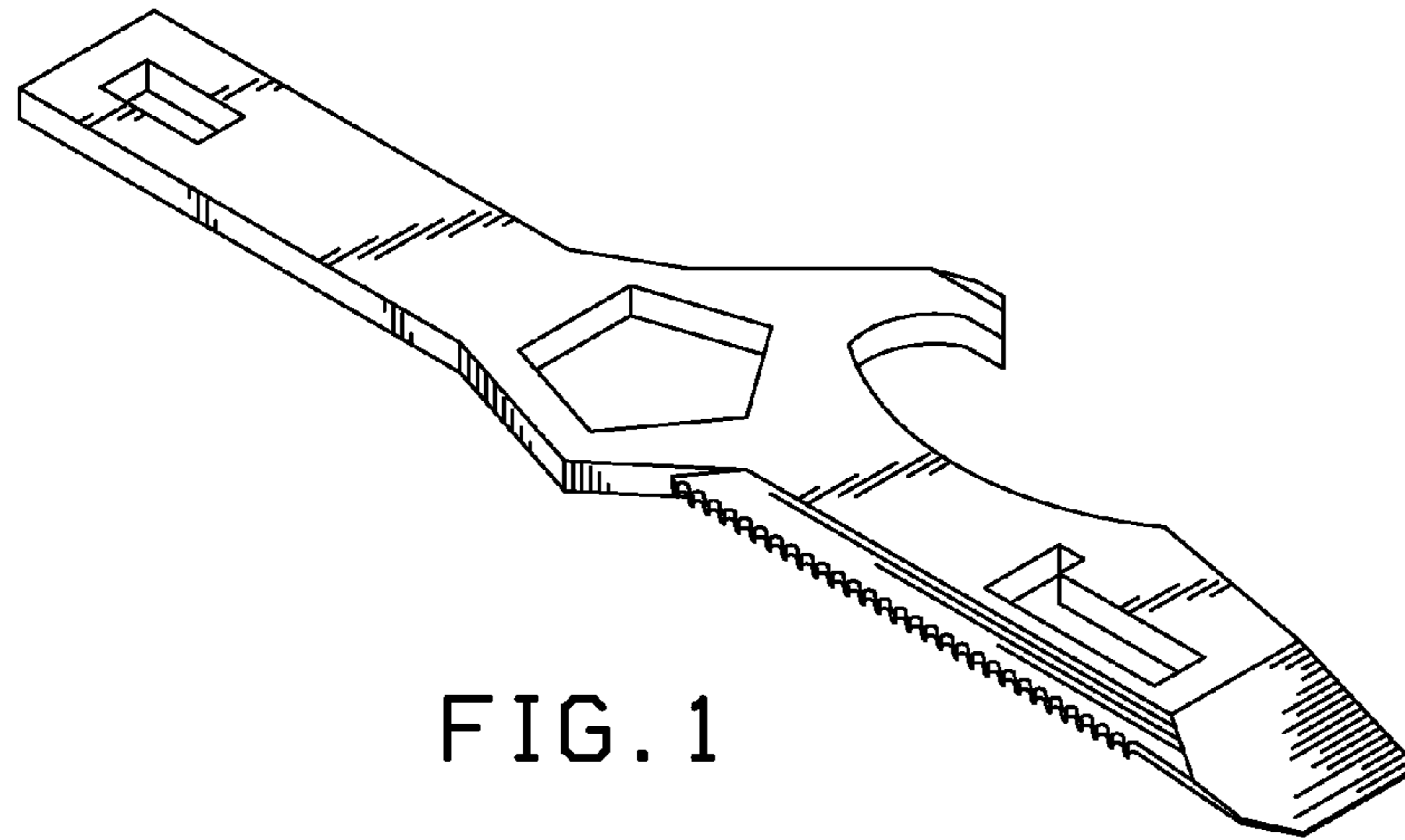


FIG. 1

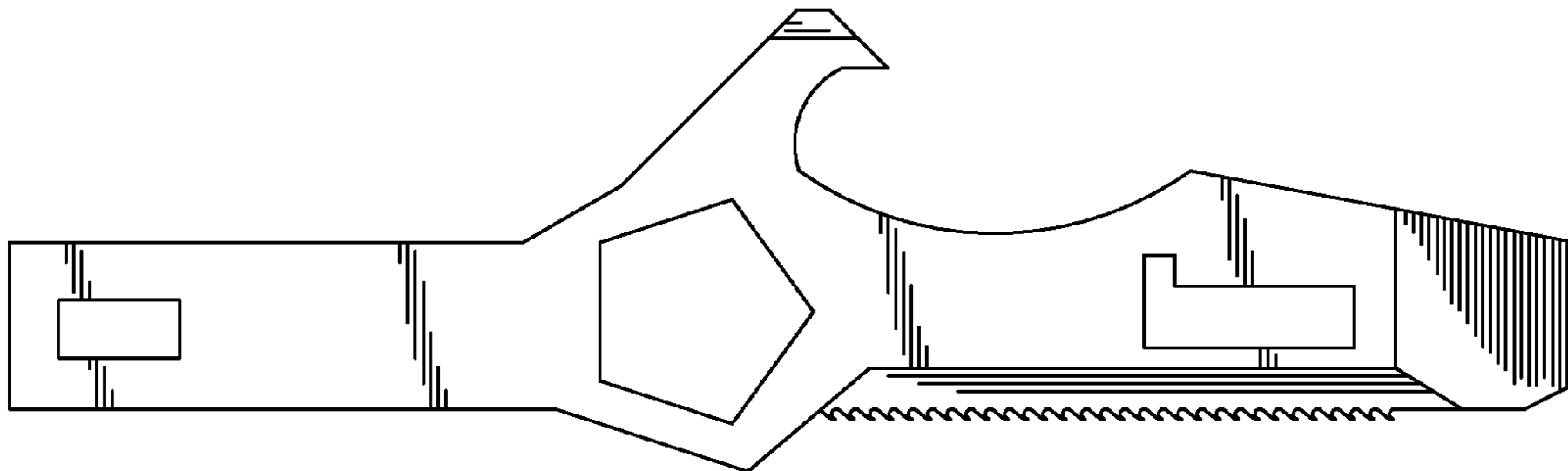


FIG. 2

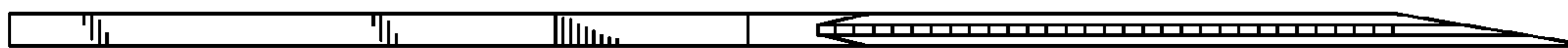


FIG. 3

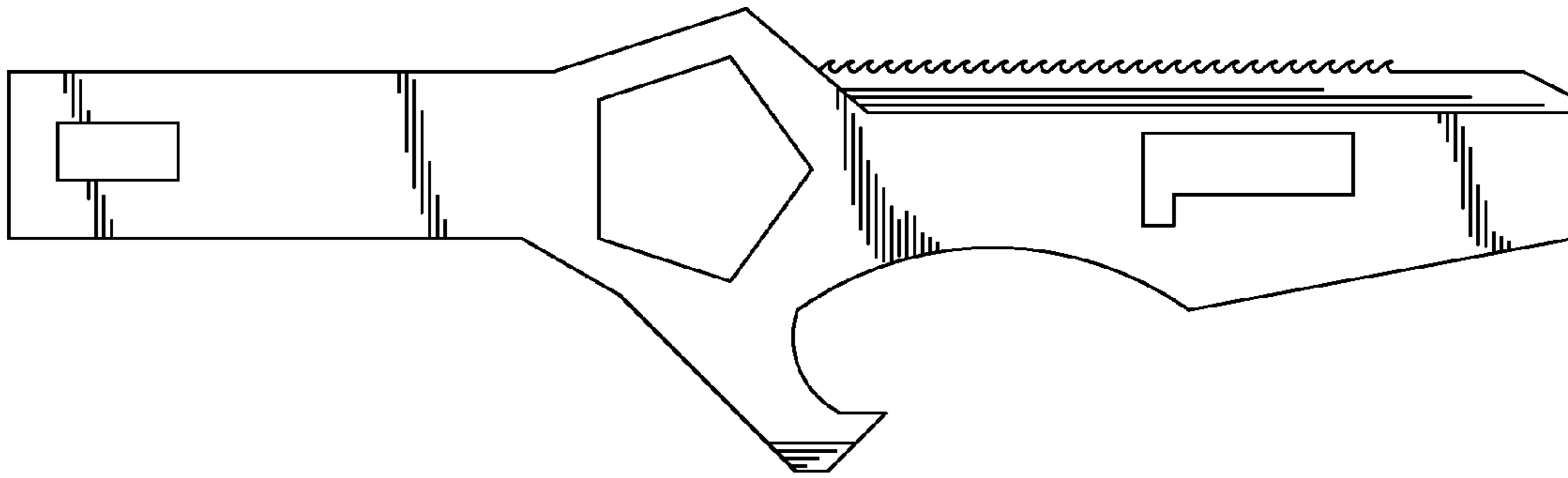


FIG. 4



FIG. 5



FIG. 6



FIG. 7