



US00D596007S

(12) **United States Design Patent**
Price et al.

(10) **Patent No.:** **US D596,007 S**
(45) **Date of Patent:** **** *Jul. 14, 2009**

(54) **CONTRASTED COLOR SURFACE OF A PORTABLE TOOL HOUSING**

D377,302 S * 1/1997 Kazamaki et al. D8/61
5,671,815 A 9/1997 Kabatnik et al.
5,769,657 A 6/1998 Kondo et al.

(75) Inventors: **Scott David Price**, Lebanon, NJ (US);
Nheeda Enriquez, Jersey City, NJ (US)

(Continued)

(73) Assignee: **Ingersoll-Rand Company**, Montvale, NJ (US)

Primary Examiner—T. Chase Nelson
Assistant Examiner—Karen Acker
(74) *Attorney, Agent, or Firm*—RatnerPrestia

(*) Notice: This patent is subject to a terminal disclaimer.

(57) **CLAIM**

(**) Term: **14 Years**

The ornamental design for a contrasted color surface of a portable tool housing, as shown and described.

(21) Appl. No.: **29/260,789**

DESCRIPTION

(22) Filed: **May 31, 2006**

(51) **LOC (9) Cl.** **08-05**

(52) **U.S. Cl.** **D8/70**

(58) **Field of Classification Search** D8/61–71,
D8/90, 363; D15/124–126, 138–140; 172/371,
172/379, 380; 173/13, 104, 114, 168–171,
173/213, 217, 93.5, 170

See application file for complete search history.

FIG. 1 is a perspective view of a contrasted color surface of a portable tool housing according to an embodiment of the present invention;

FIG. 2 is a left side view of the contrasted color surface of a portable tool housing shown in FIG. 1;

FIG. 3 is a rear elevation view of the contrasted color surface of a portable tool housing shown in FIG. 1;

FIG. 4 is a right side view of the contrasted color surface of a portable tool housing shown in FIG. 1;

FIG. 5 is a front elevation view of the contrasted color surface of a portable tool housing shown in FIG. 1;

FIG. 6 is a top plan view of the contrasted color surface of a portable tool housing shown in FIG. 1; and,

FIG. 7 is a bottom plan view of the contrasted color surface of a portable tool housing shown in FIG. 1.

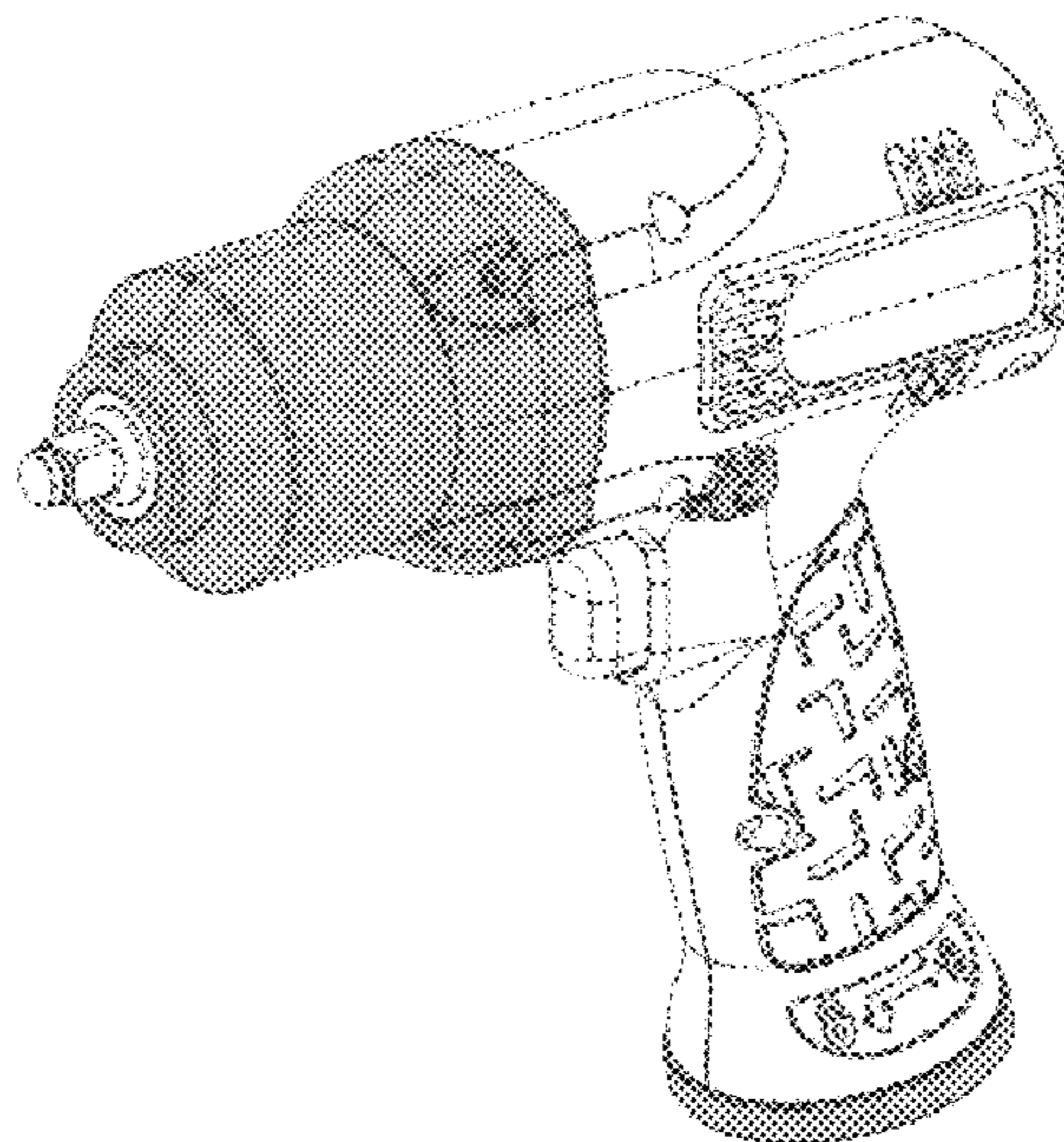
The shaded areas represent the contrasted color surface of a portable tool housing. The broken lines illustrate the boundaries of the claimed design and unclaimed portions of the design. The broken lines and the structure depicted in broken line form no part of the claimed design. The shaded areas depicting the claimed design do not represent a specific color or color combination.

(56) **References Cited**

U.S. PATENT DOCUMENTS

2,469,857 A	5/1949	Allyn	
3,757,194 A	9/1973	Weber et al.	
4,032,806 A	6/1977	Seely	
4,447,749 A	5/1984	Reeb, Jr. et al.	
4,616,169 A	10/1986	Proffitt	
4,709,974 A	12/1987	Hawkins	
4,751,452 A	6/1988	Kilmer et al.	
4,779,687 A	10/1988	Schreiber et al.	
4,835,410 A	5/1989	Bhagwat et al.	
4,871,629 A	10/1989	Bunyea	
5,089,738 A	2/1992	Bergqvist et al.	
5,213,913 A	5/1993	Anthony, III et al.	
D345,090 S *	3/1994	Okumura D8/68
5,445,900 A	8/1995	Miller, Jr. et al.	
5,553,675 A	9/1996	Pitzen et al.	

1 Claim, 5 Drawing Sheets



US D596,007 S

Page 2

U.S. PATENT DOCUMENTS

5,792,573	A	8/1998	Pitzen et al.				
5,800,940	A	9/1998	Bunyea et al.				
5,902,080	A	5/1999	Kopras				
5,906,244	A *	5/1999	Thompson et al.	173/93.5		
5,992,539	A *	11/1999	Lin	173/93		
6,104,162	A	8/2000	Sainsbury et al.				
6,112,414	A	9/2000	Andis et al.				
6,126,670	A	10/2000	Walker et al.				
6,139,359	A	10/2000	Fuhreck et al.				
D435,414	S *	12/2000	Etter et al.	D8/68		
6,161,293	A	12/2000	Watson				
D439,123	S *	3/2001	Sakai et al.	D8/68		
6,384,572	B1	5/2002	Nishimura				
D477,512	S *	7/2003	Liu et al.	D8/68		
D477,977	S *	8/2003	Liu	D8/68		
D482,947	S *	12/2003	Lin	D8/68		
6,675,912	B2	1/2004	Carrier				
D489,240	S *	5/2004	Bartfeld et al.	D8/68		
6,729,415	B1	5/2004	Huang				
D494,435	S *	8/2004	Hayakawa et al.	D8/68		
D497,529	S *	10/2004	Price	D8/68		
D500,653	S *	1/2005	Concari	D8/68		
6,840,335	B1	1/2005	Wu				
6,887,244	B1	5/2005	Walker et al.				
6,889,439	B2	5/2005	Koukal et al.				
D515,377	S *	2/2006	Chung et al.	D8/68		
D534,047	S *	12/2006	Chi	D8/68		
D537,690	S *	3/2007	Su	D8/68		
D540,640	S *	4/2007	Clay	D8/68		
D540,641	S *	4/2007	Clay	D8/68		
7,217,069	B2 *	5/2007	Dils et al.	408/124		
D558,018	S *	12/2007	McRoberts et al.	D8/64		
D562,663	S *	2/2008	Wang et al.	D8/68		
2005/0161243	A1 *	7/2005	Livingston et al.	173/93		

* cited by examiner

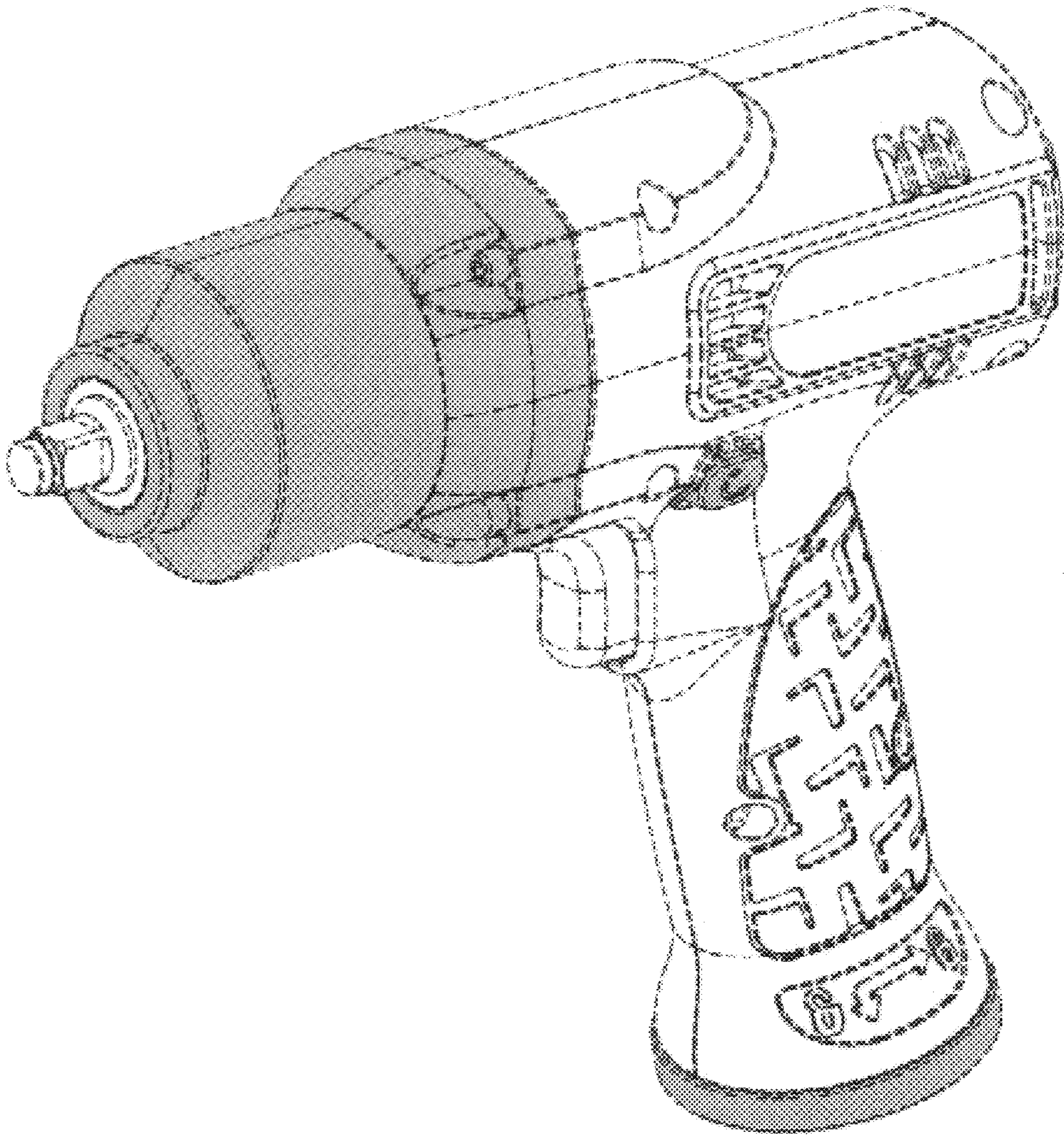


FIG. 1

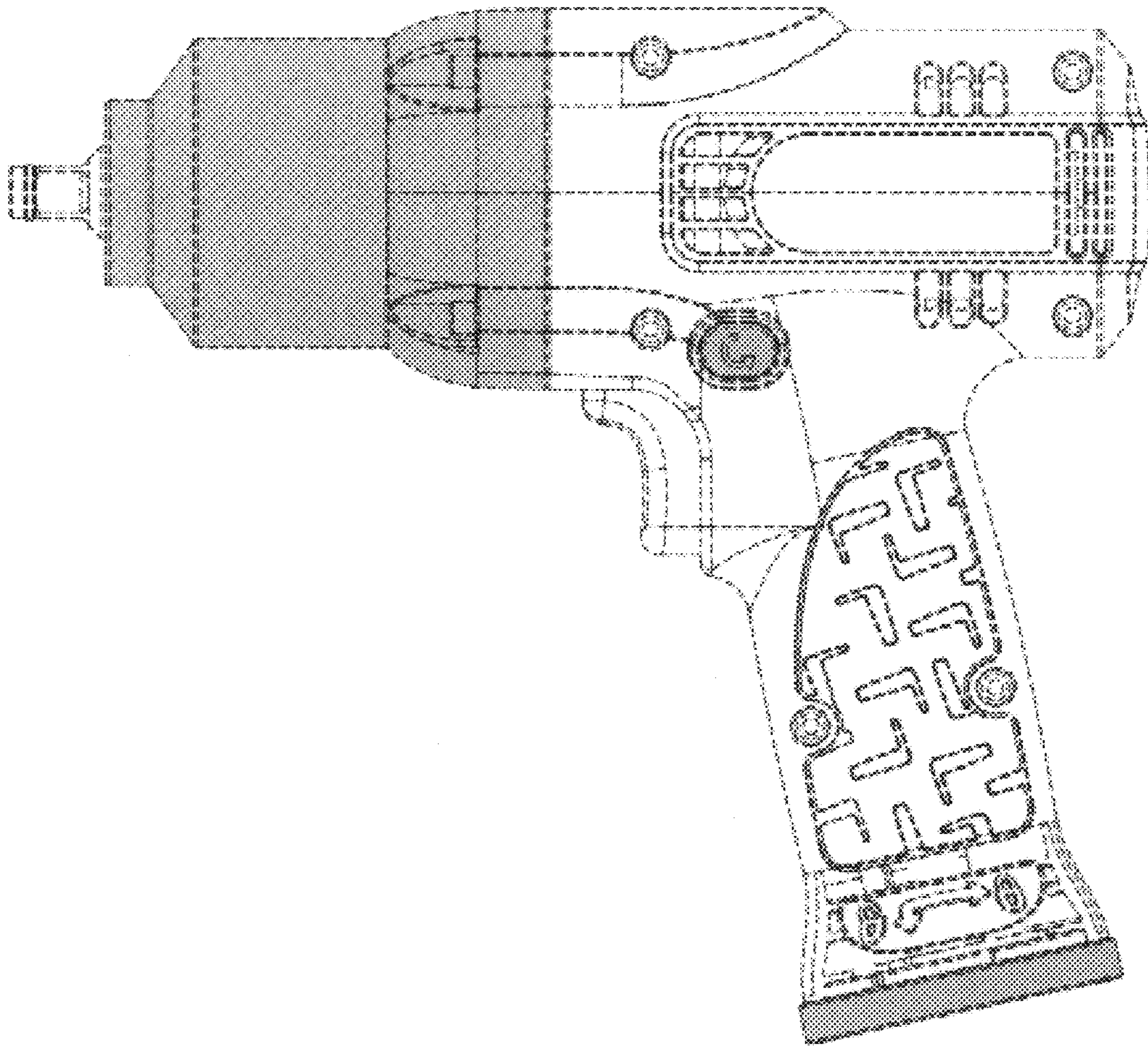


FIG. 2

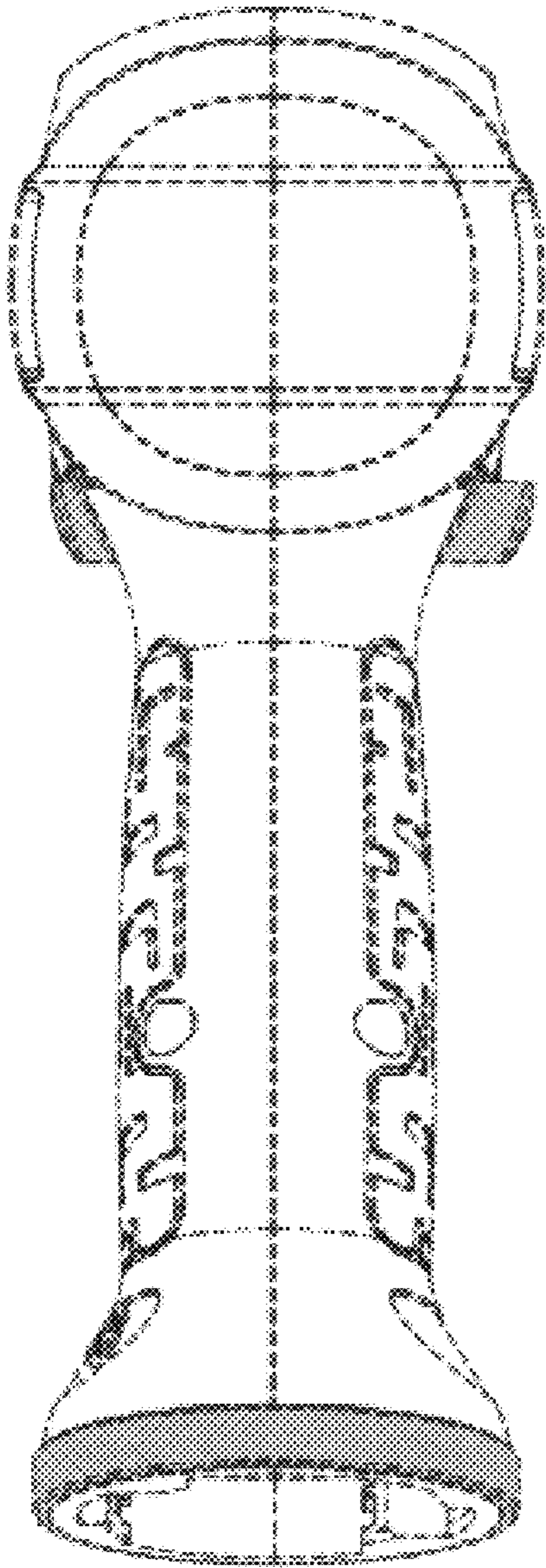


FIG. 3

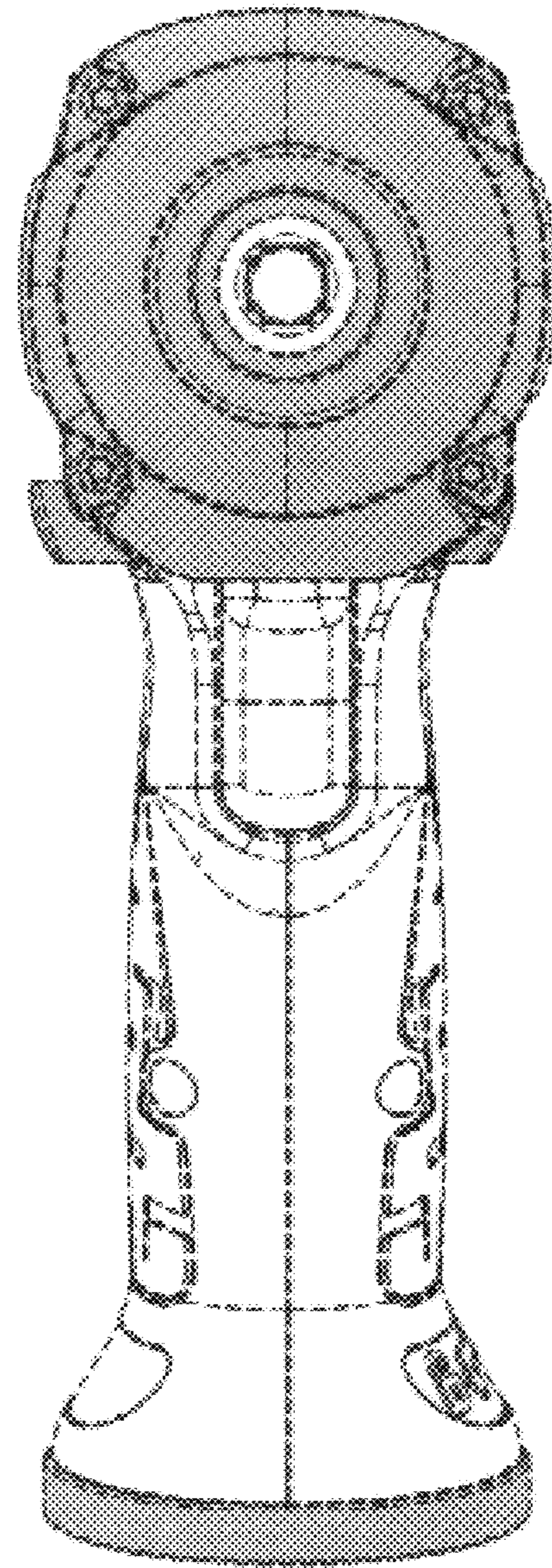


FIG. 5

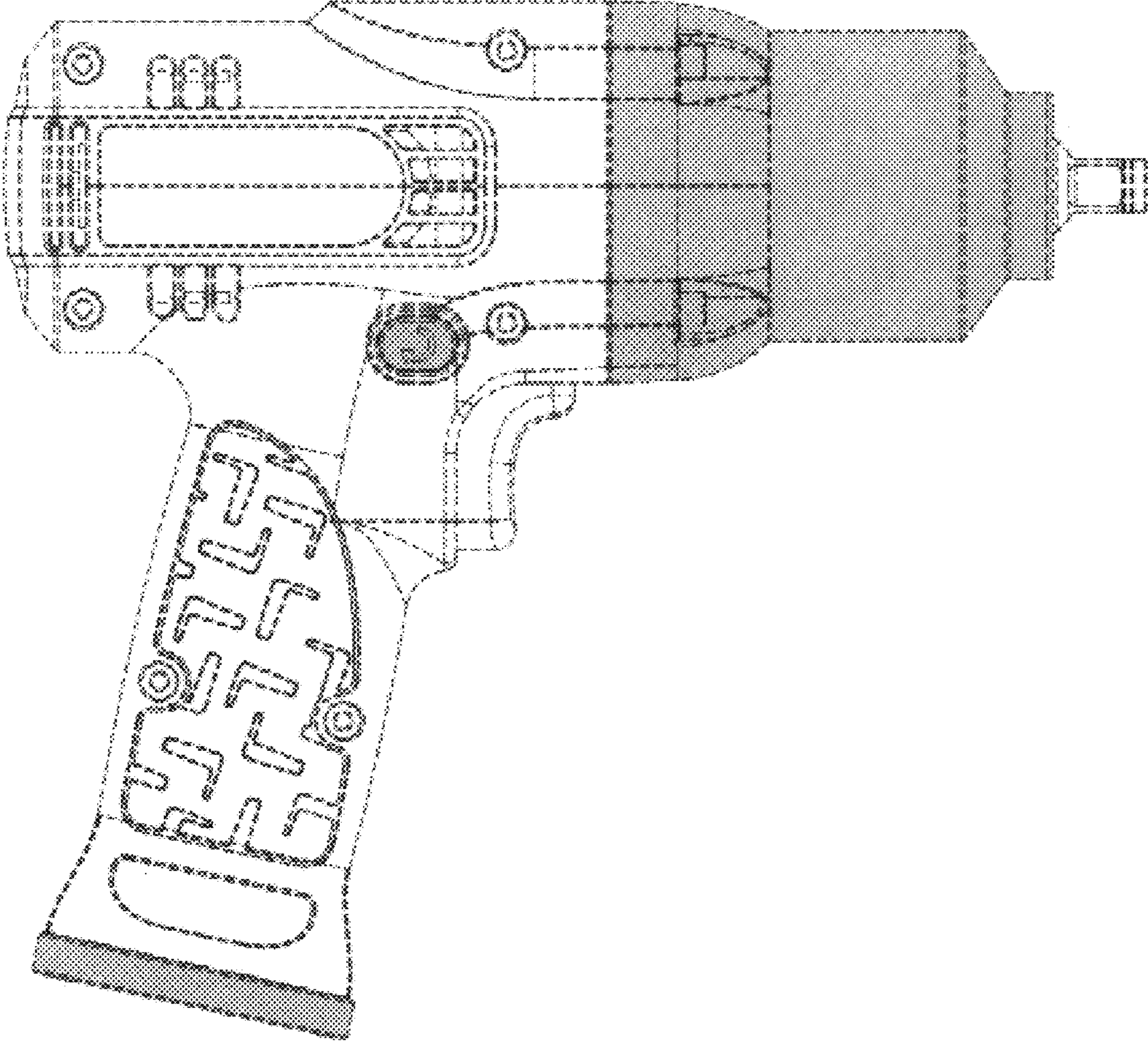


FIG. 4

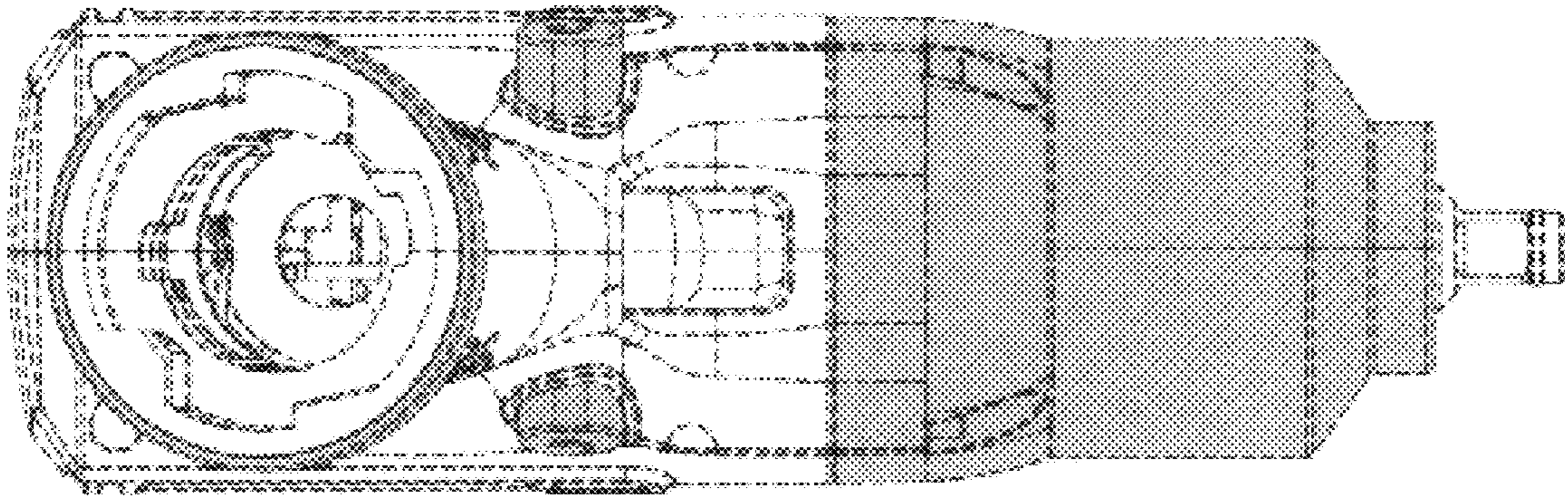


FIG. 7

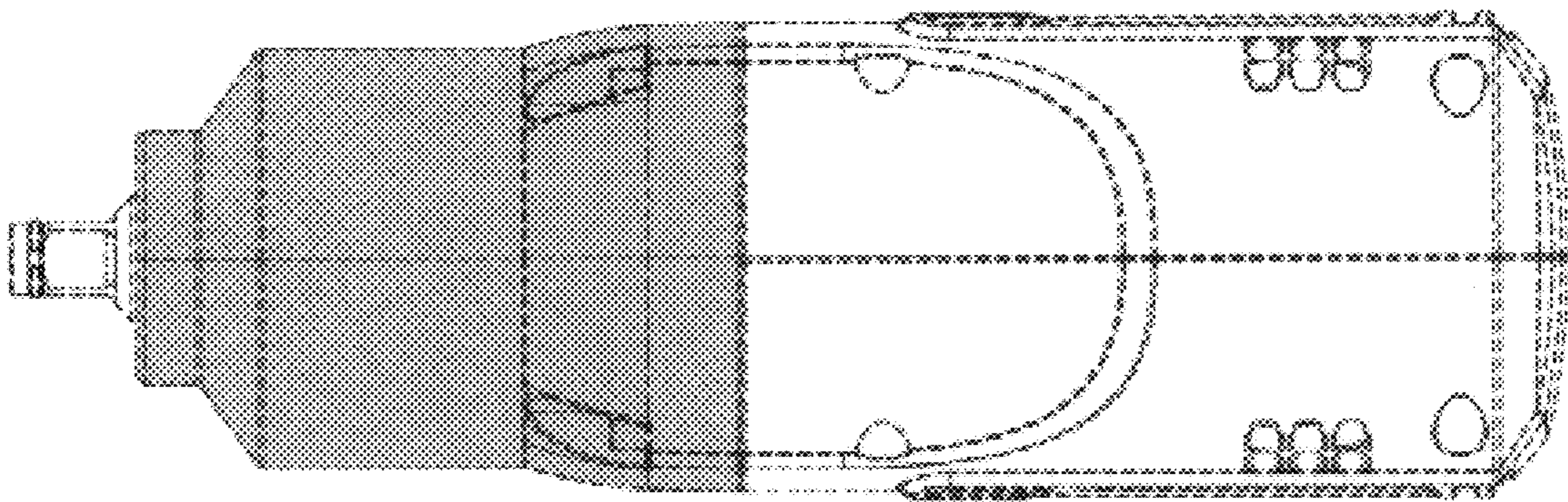


FIG. 6