



US00D596006S

(12) **United States Design Patent**  
**Van Wambeke**

(10) **Patent No.:** **US D596,006 S**  
(45) **Date of Patent:** **\*\* Jul. 14, 2009**

(54) **CORDLESS CIRCULAR SAW**

(75) Inventor: **Weston J. Van Wambeke**, Towson, MD  
(US)

(73) Assignee: **Black & Decker Inc.**, Newark, DE (US)

(\*\*) Term: **14 Years**

(21) Appl. No.: **29/323,224**

(22) Filed: **Aug. 21, 2008**

(51) **LOC (9) Cl.** ..... **08-03**

(52) **U.S. Cl.** ..... **D8/66**

(58) **Field of Classification Search** ..... D8/69,  
D8/68, 67, 66, 64, 61, 70; 83/698.41, 747,  
83/166.3, 374, 373, 375, 376, 391, 377, 390,  
83/388, 389; 125/13.01; 144/218  
See application file for complete search history.

(56) **References Cited**

**U.S. PATENT DOCUMENTS**

4,982,501	A *	1/1991	Sauerwein et al.	.....	30/376
5,010,651	A *	4/1991	Techter et al.	.....	303/76
D363,656	S *	10/1995	Gierke	.....	D8/66
D411,425	S *	6/1999	Sugimoto et al.	.....	D8/66
D427,872	S *	7/2000	Snider	.....	D8/66
D427,874	S *	7/2000	Hayakawa et al.	.....	D8/66
D428,318	S *	7/2000	Gallagher et al.	.....	D8/66
D428,319	S	7/2000	Gallagher		

(Continued)

**FOREIGN PATENT DOCUMENTS**

DE	M8908803	4/1991
DE	M9007445	7/1991
DE	49907190	11/1999
DE	49908499	2/2000
DE	49911371	4/2000
DE	40109686	7/2002
DE	40207994	1/2003
DE	40301838	6/2003
DE	40302746	8/2003

DE	000129036-0001	8/2004
DE	000622428-0001	12/2006
DE	000627336-0001	12/2006

**OTHER PUBLICATIONS**

UKIPO-Search Report-Ref. 052/2008.

*Primary Examiner*—Cathron C Brooks

*Assistant Examiner*—Austin Murphy

(74) *Attorney, Agent, or Firm*—Bruce S. Shapiro; John Yun; Wesley W. Muller

(57) **CLAIM**

The ornamental design for a cordless circular saw, as shown and described.

**DESCRIPTION**

FIG. 1 is a left/front perspective view of a cordless circular saw.

FIG. 2 is a front view thereof.

FIG. 3 is a rear view thereof.

FIG. 4 is a right side view thereof.

FIG. 5 is a left side view thereof.

FIG. 6 is a top view thereof.

FIG. 7 is a bottom view thereof.

FIG. 8 is a left/front perspective view of a cordless circular saw.

FIG. 9 is a front view thereof.

FIG. 10 is a rear view thereof.

FIG. 11 is a right side view thereof.

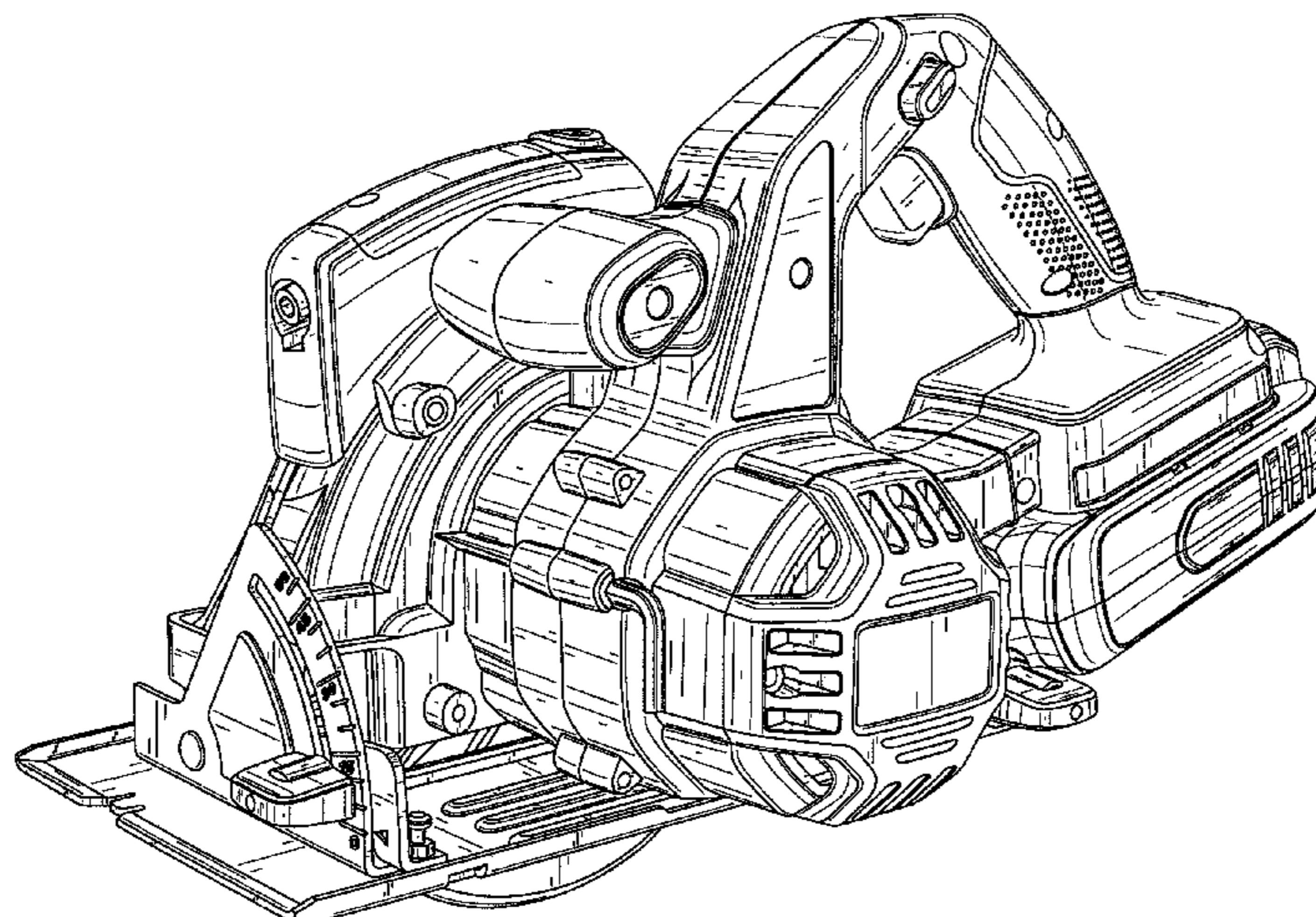
FIG. 12 is a left side view thereof.

FIG. 13 is a top view thereof; and,

FIG. 14 is a bottom view thereof.

The broken lines are for illustrative purposes only and form no part of the claimed design.

**1 Claim, 14 Drawing Sheets**



# US D596,006 S

Page 2

## U.S. PATENT DOCUMENTS

D449,503 S	10/2001	Tsuzuki et al.	
D466,385 S	12/2002	Shigo et al.	
D470,376 S *	2/2003	Chunn et al. ....	D8/66
6,543,143 B2 *	4/2003	Moore et al. ....	30/391
D474,952 S *	5/2003	Andriolo .....	D8/66
D475,266 S	6/2003	Sakai et al.	
D499,001 S *	11/2004	Wu .....	D8/66
D502,073 S *	2/2005	Andriolo .....	D8/66
D503,878 S *	4/2005	Tillman et al. ....	D8/66
6,889,439 B2 *	5/2005	Koukal et al. ....	30/377
D507,949 S *	8/2005	Chunn et al. ....	D8/66
D514,411 S	2/2006	Yuen et al.	
D520,319 S	5/2006	Aglassinger	
D520,830 S	5/2006	Suzuki et al.	
D521,336 S *	5/2006	Heun .....	D8/66
D522,833 S	6/2006	Kokawa	
D527,599 S *	9/2006	Ng .....	D8/66
D531,473 S	11/2006	Lopano	
D538,124 S	3/2007	Yamamoto et al.	
D539,108 S	3/2007	Roberts	
D539,626 S	4/2007	Roberts	
D555,450 S *	11/2007	Van Wambeke .....	D8/66
D559,644 S	1/2008	Kuroyanagi et al.	
D559,645 S	1/2008	Okuda et al.	
D568,705 S	5/2008	Lopano et al.	
2004/0045176 A1 *	3/2004	Koukal et al. ....	30/391

\* cited by examiner

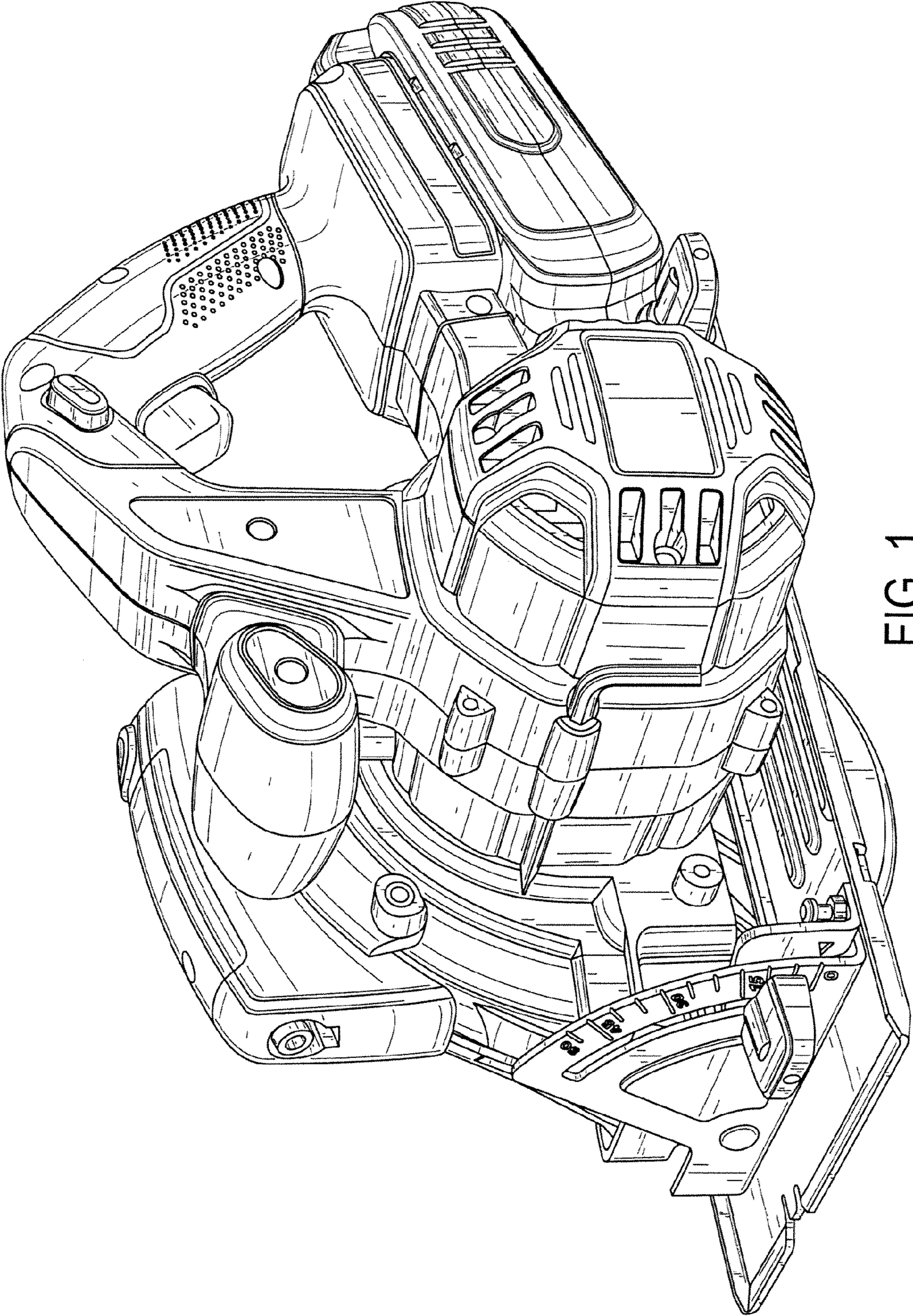


FIG. 1

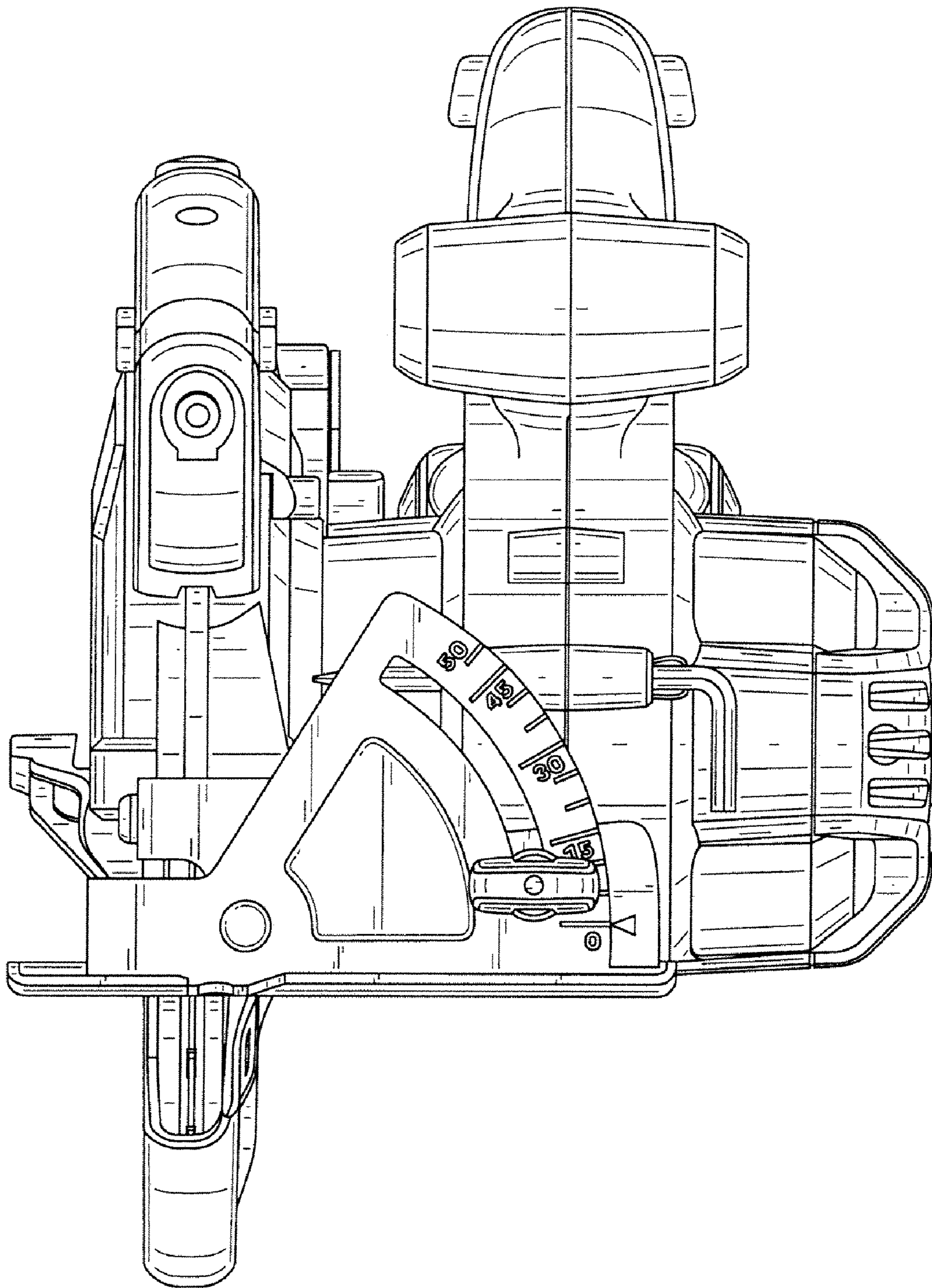


FIG. 2

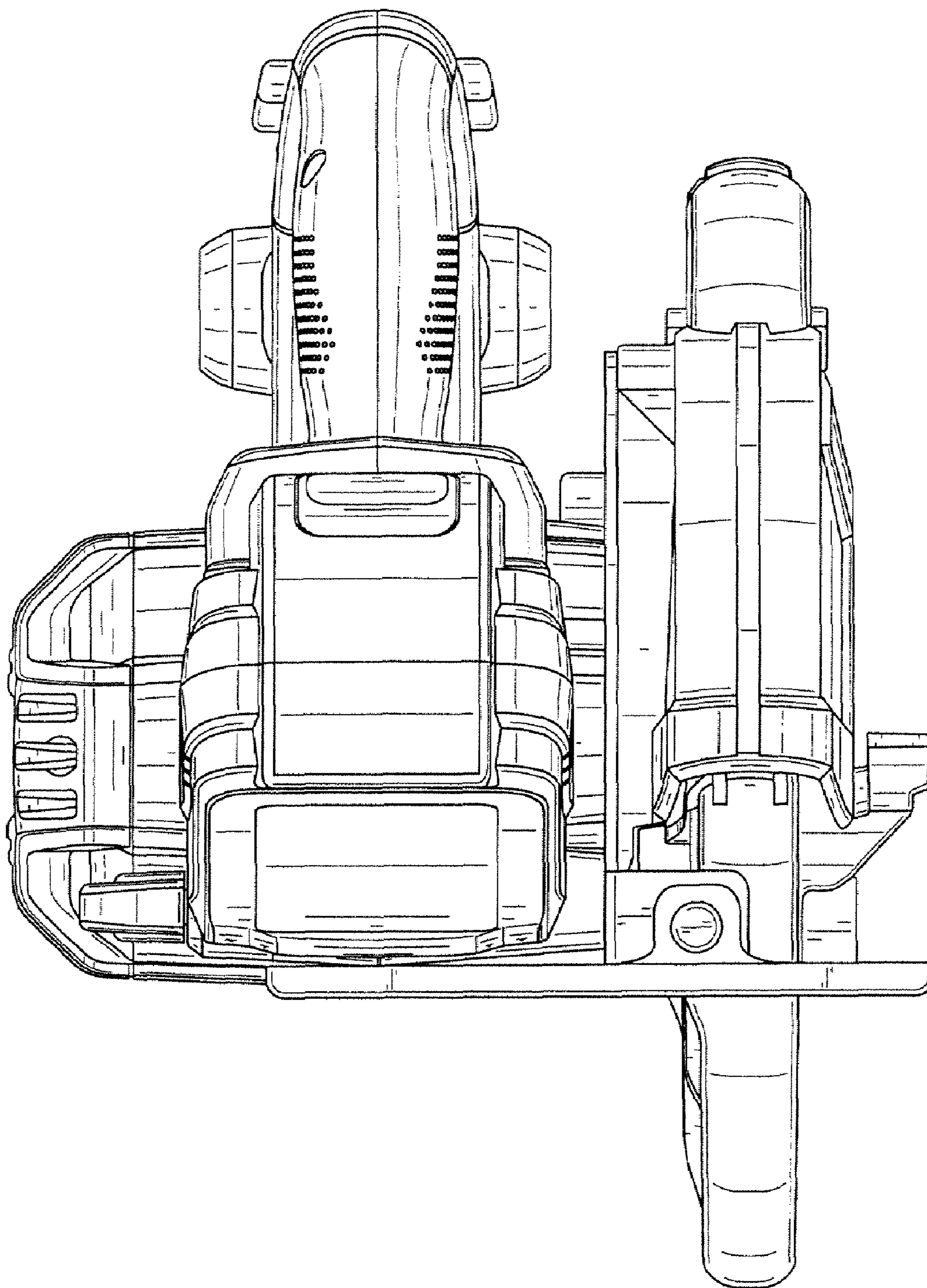


FIG. 3

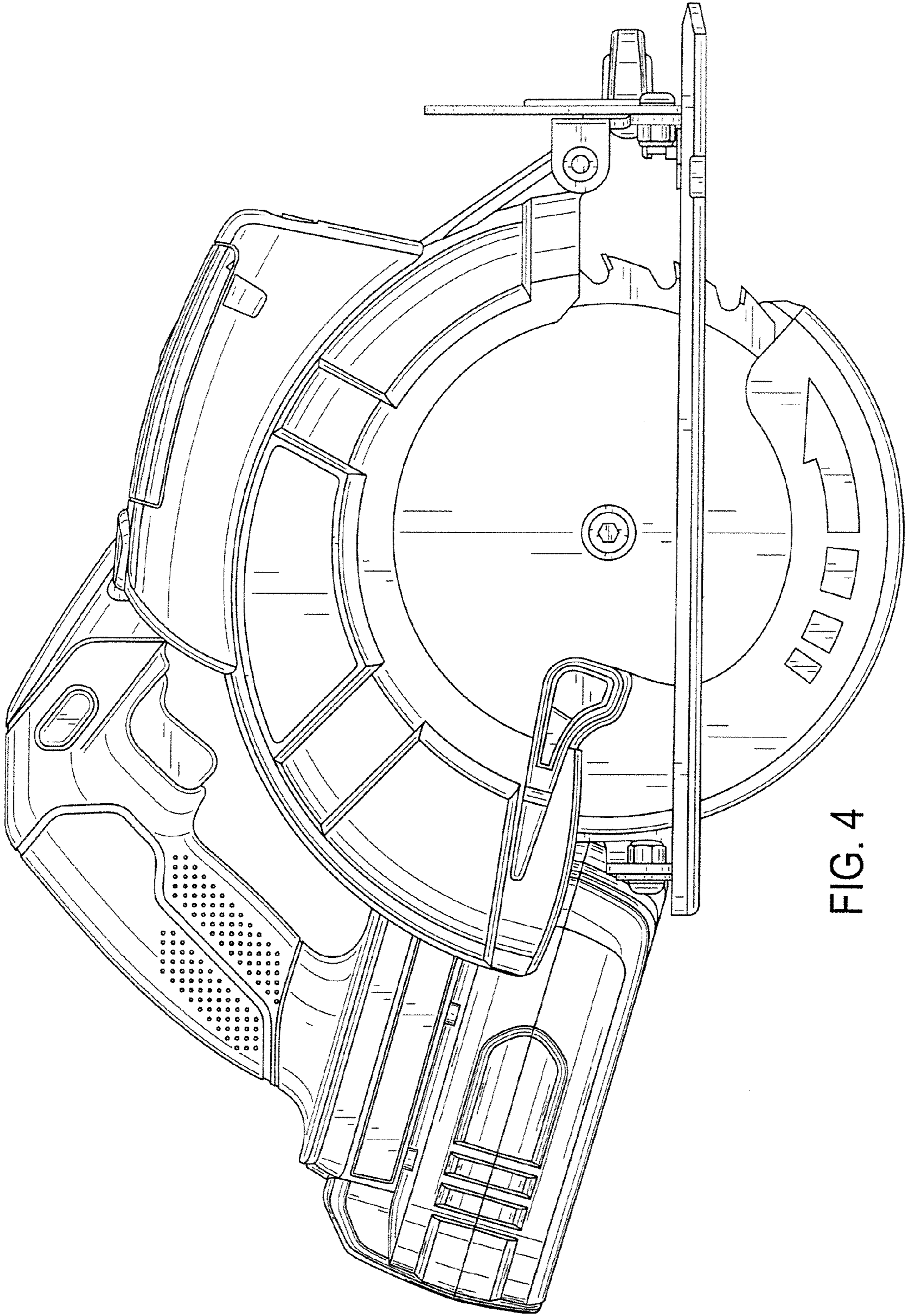


FIG. 4

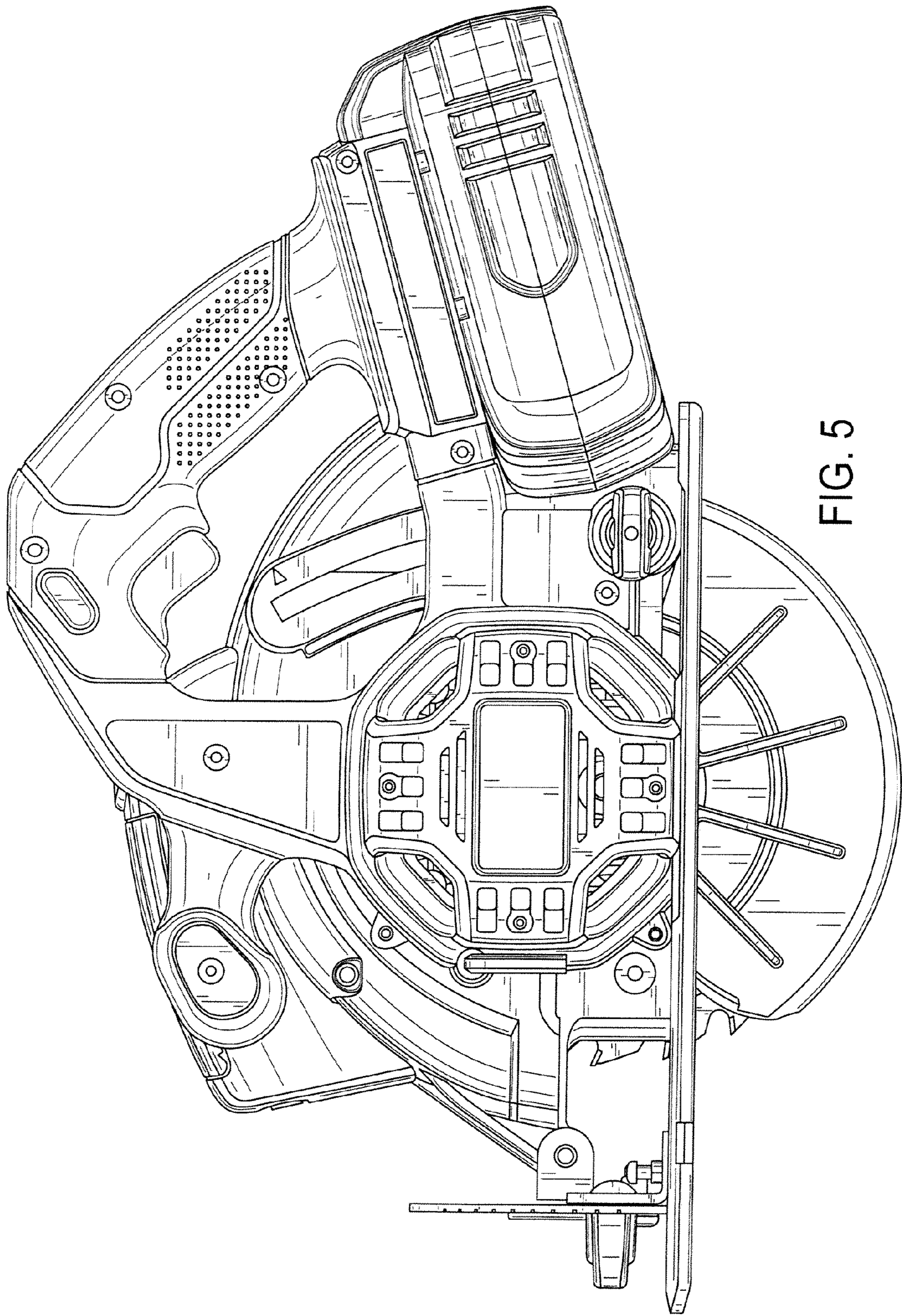


FIG. 5

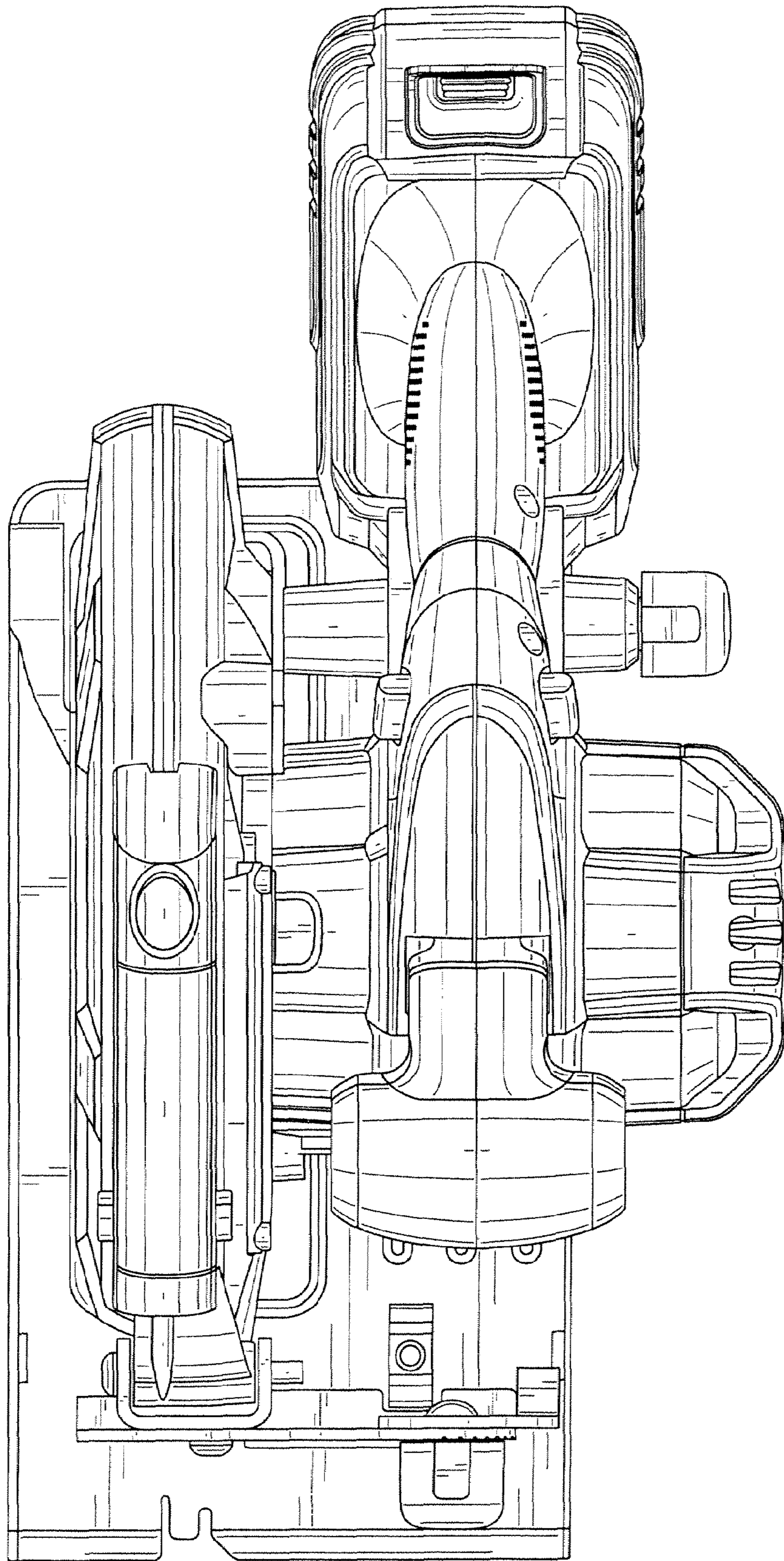


FIG. 6



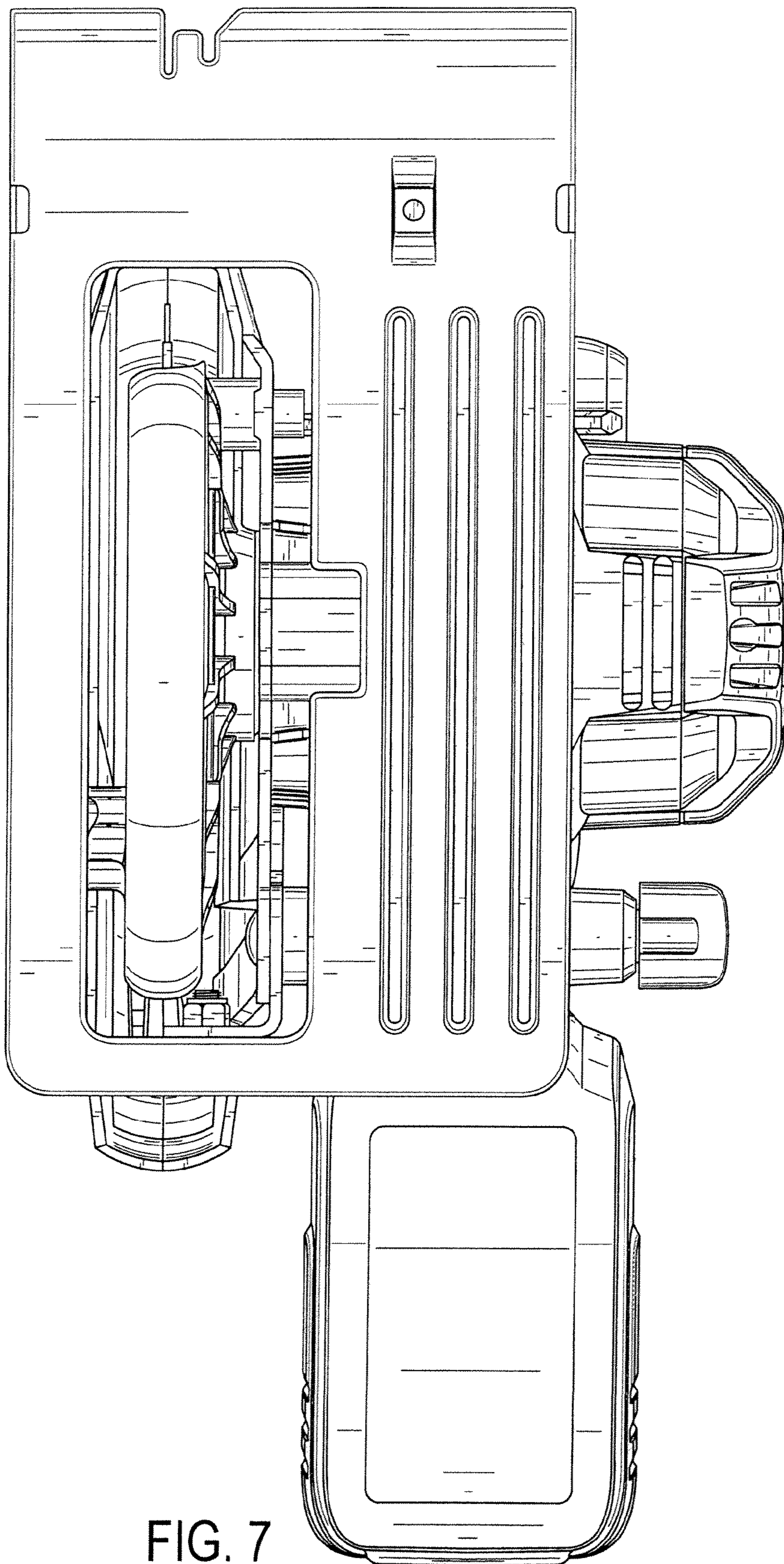


FIG. 7

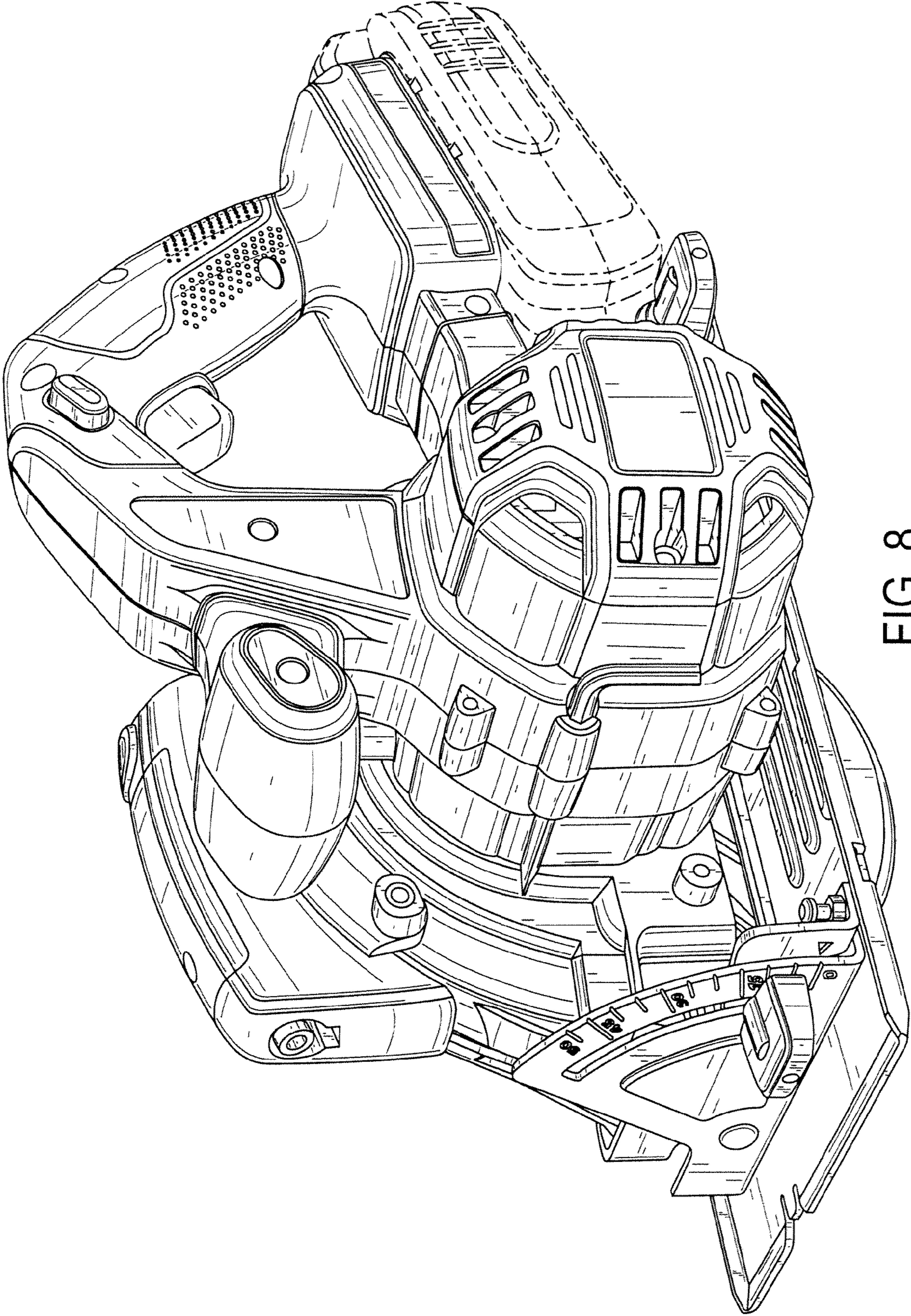


FIG. 8

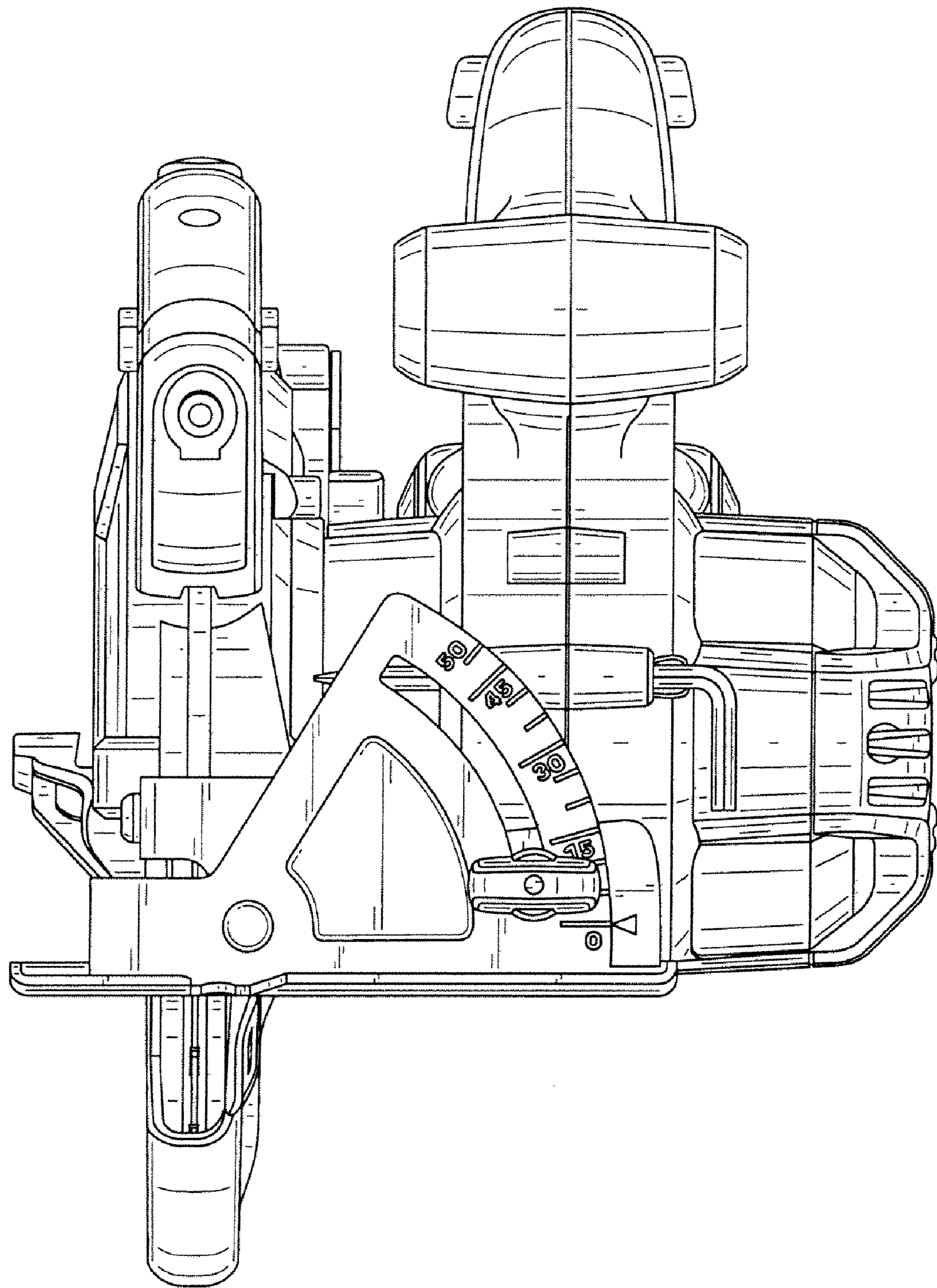


FIG. 9

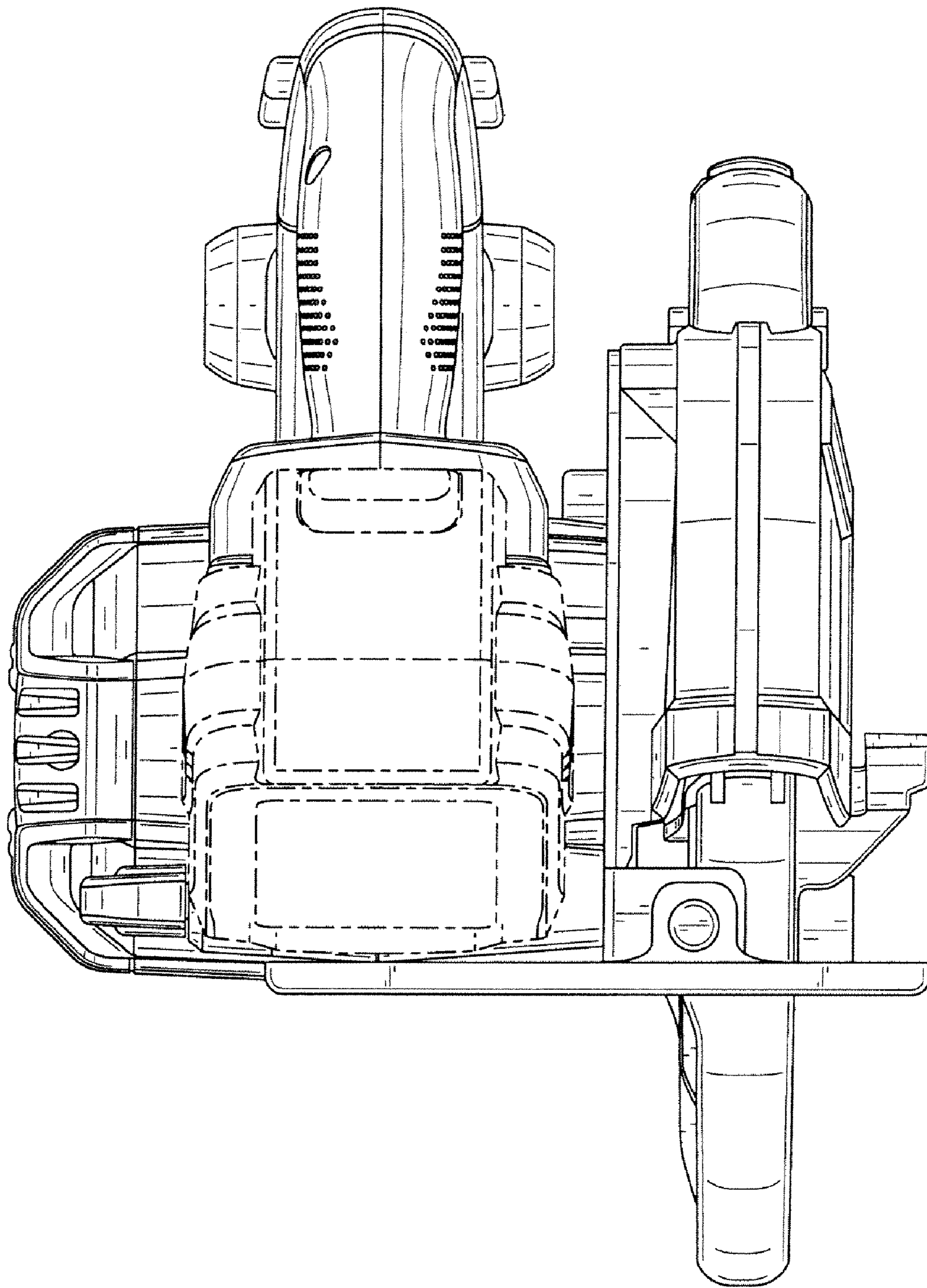


FIG. 10

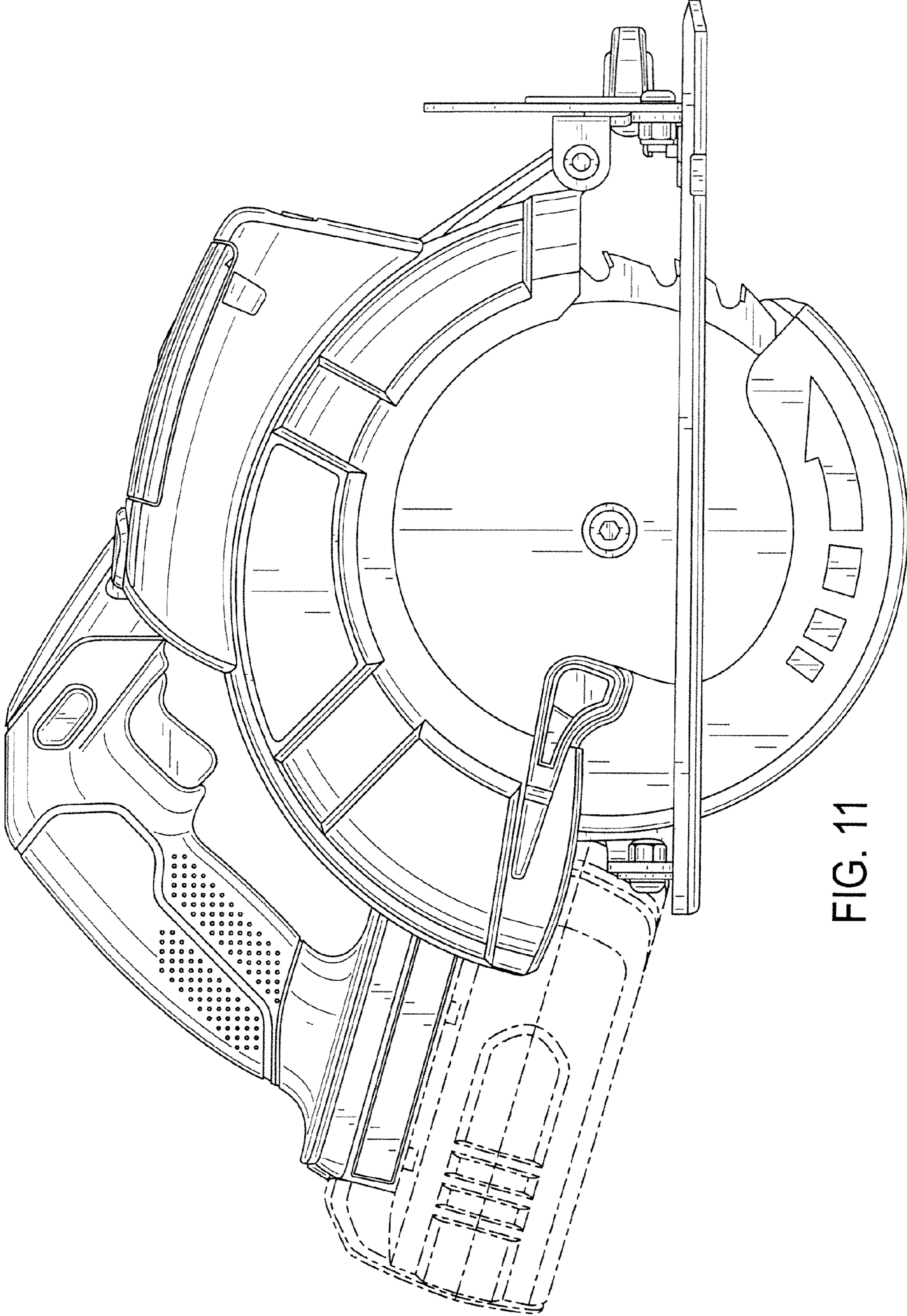


FIG. 11

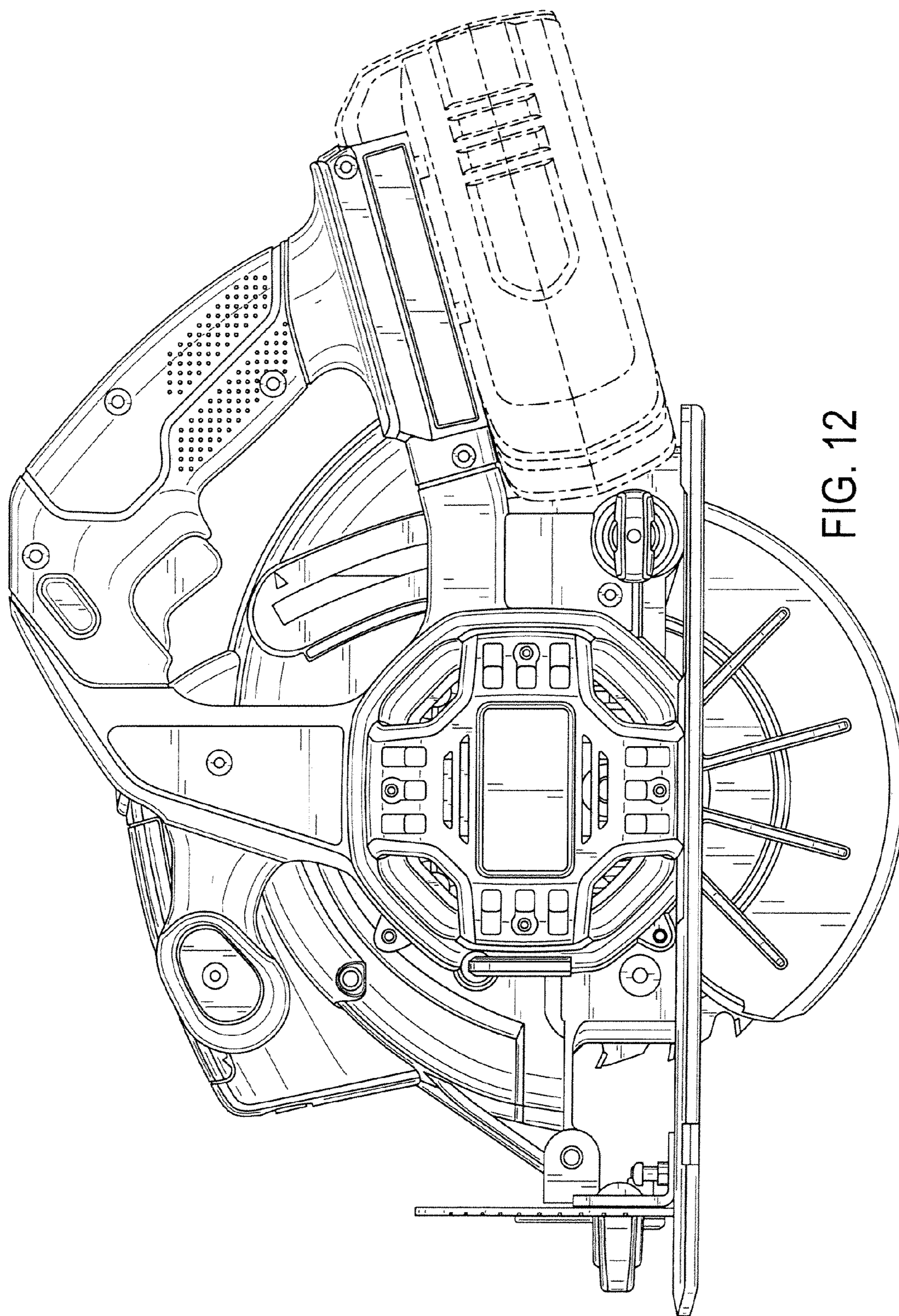


FIG. 12

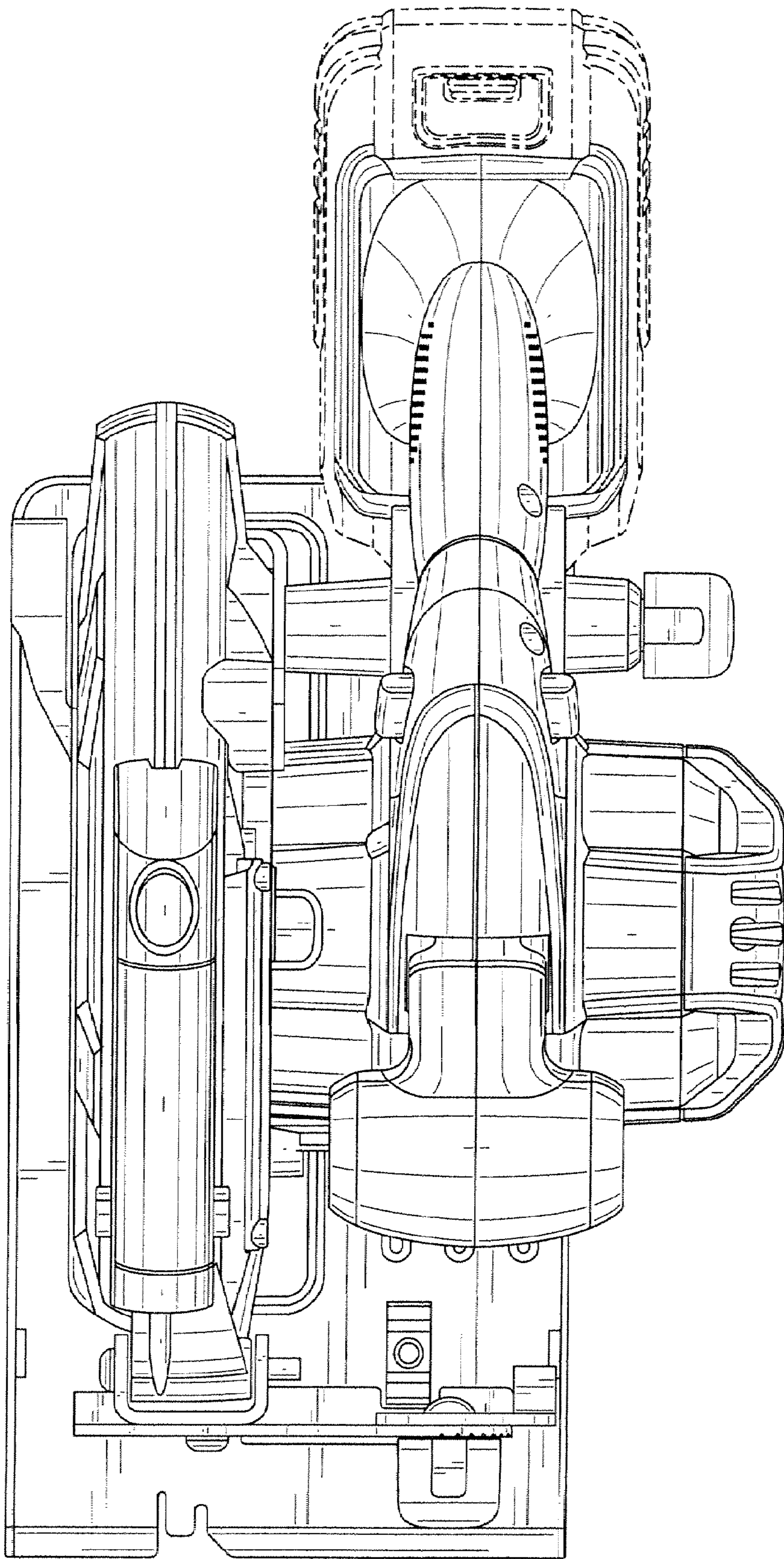


FIG. 13

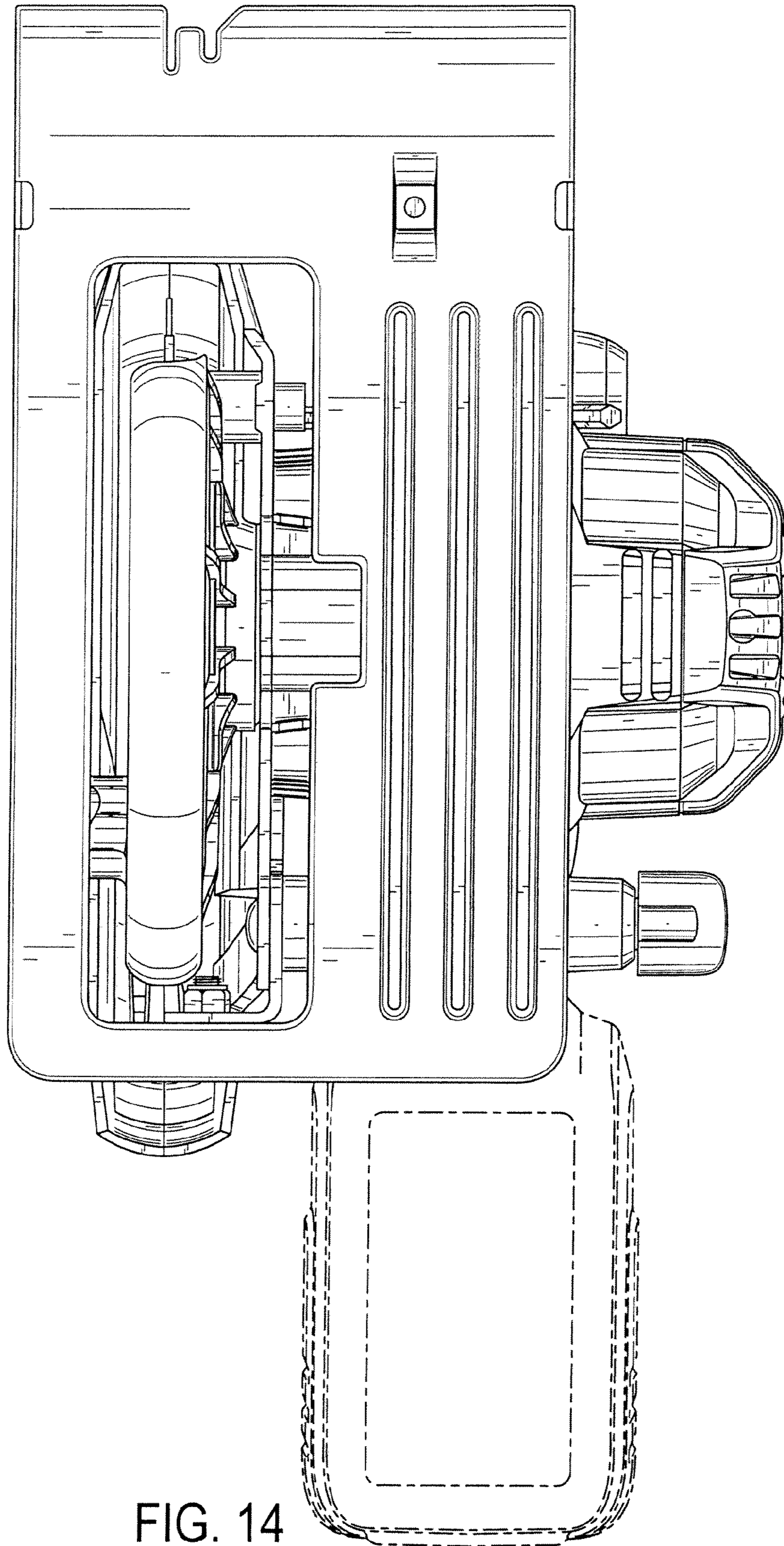


FIG. 14