



US00D596005S

(12) **United States Design Patent**  
**Schoch**

(10) **Patent No.:** **US D596,005 S**  
(45) **Date of Patent:** **\*\* Jul. 14, 2009**

(54) **RECIPROCATING SAW**

(75) Inventor: **Robert B. Schoch**, Baltimore, MD (US)

(73) Assignee: **Black & Decker Inc.**, Newark, DE (US)

(\*\*) Term: **14 Years**

(21) Appl. No.: **29/322,763**

(22) Filed: **Aug. 12, 2008**

(51) **LOC (9) Cl.** ..... **08-03**

(52) **U.S. Cl.** ..... **D8/64**

(58) **Field of Classification Search** ..... D8/69,  
D8/68, 67, 66, 65, 64, 62, 61; 30/92, 394,  
30/393, 392, 377, 376, 371; 74/50, 49; 173/217,  
173/216; 83/699.21; 446/145

See application file for complete search history.

(56) **References Cited**

**U.S. PATENT DOCUMENTS**

D401,128 S *	11/1998	Zurwelle	.....	D8/64
D428,786 S *	8/2000	Hayakawa et al.	.....	D8/64
D434,627 S *	12/2000	Buck	.....	D8/64
D440,849 S *	4/2001	Sakai et al.	.....	D8/64
D456,233 S *	4/2002	Main	.....	D8/64
D468,982 S	1/2003	Brazell et al.		
D471,417 S *	3/2003	Chunn et al.	.....	D8/64
D473,771 S *	4/2003	Hayakawa et al.	.....	D8/64
6,568,089 B1 *	5/2003	Popik et al.	.....	D30/392
D479,453 S	9/2003	Lind et al.		
D480,616 S *	10/2003	Welsh	.....	D8/64
D504,603 S	5/2005	Xiaoxian		
D506,117 S	6/2005	Sun et al.		
D524,130 S	7/2006	Wolf et al.		
D527,597 S	9/2006	Andriolo		
D534,778 S *	1/2007	Chu	.....	D8/64
D544,327 S	6/2007	Sterpka et al.		
D551,046 S	9/2007	Yamamoto et al.		

D551,930 S	10/2007	Yamada et al.		
2004/0098870 A1 *	5/2004	Nemazi et al.	.....	30/392
2005/0022395 A1 *	2/2005	Hirabayashi	.....	30/392
2005/0257382 A1 *	11/2005	Lui et al.	.....	30/392

\* cited by examiner

*Primary Examiner*—Cathron C Brooks

*Assistant Examiner*—Austin Murphy

(74) *Attorney, Agent, or Firm*—Bruce S. Shapiro; John Yun; Wesley W. Muller

(57) **CLAIM**

The ornamental design for a reciprocating saw, as shown and described.

**DESCRIPTION**

FIG. 1 is a left/front perspective view of a reciprocating saw.

FIG. 2 is a front view thereof.

FIG. 3 is a rear view thereof.

FIG. 4 is a right side view thereof.

FIG. 5 is a left side view thereof.

FIG. 6 is a top view thereof.

FIG. 7 is a bottom view thereof.

FIG. 8 is a left/front perspective view of a reciprocating saw.

FIG. 9 is a front view thereof.

FIG. 10 is a rear view thereof.

FIG. 11 is a right side view thereof.

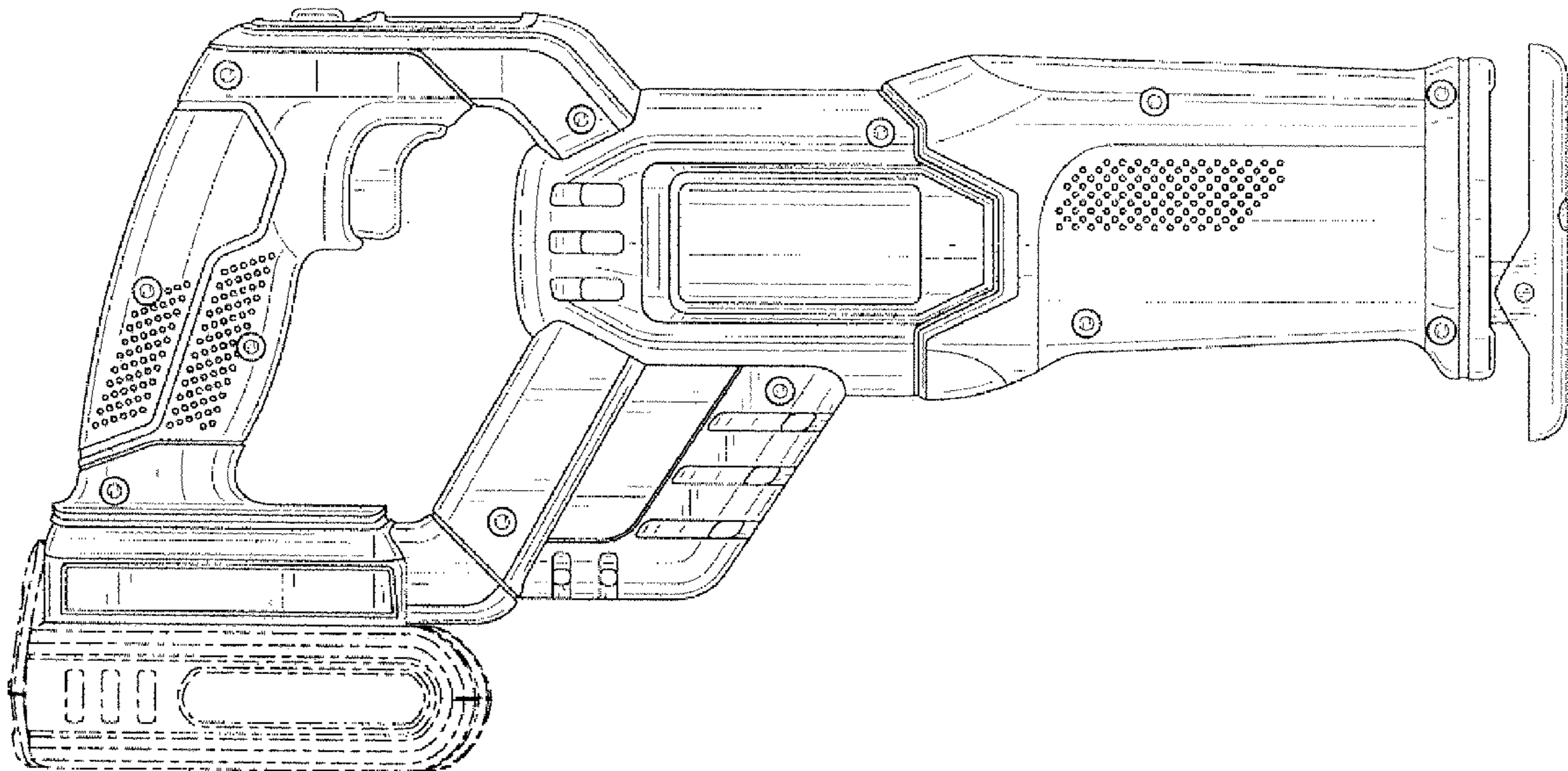
FIG. 12 is a left side view thereof.

FIG. 13 is a top view thereof; and,

FIG. 14 is a bottom view thereof.

The broken lines are for illustrative purposes only and form no part of the claimed design.

**1 Claim, 10 Drawing Sheets**



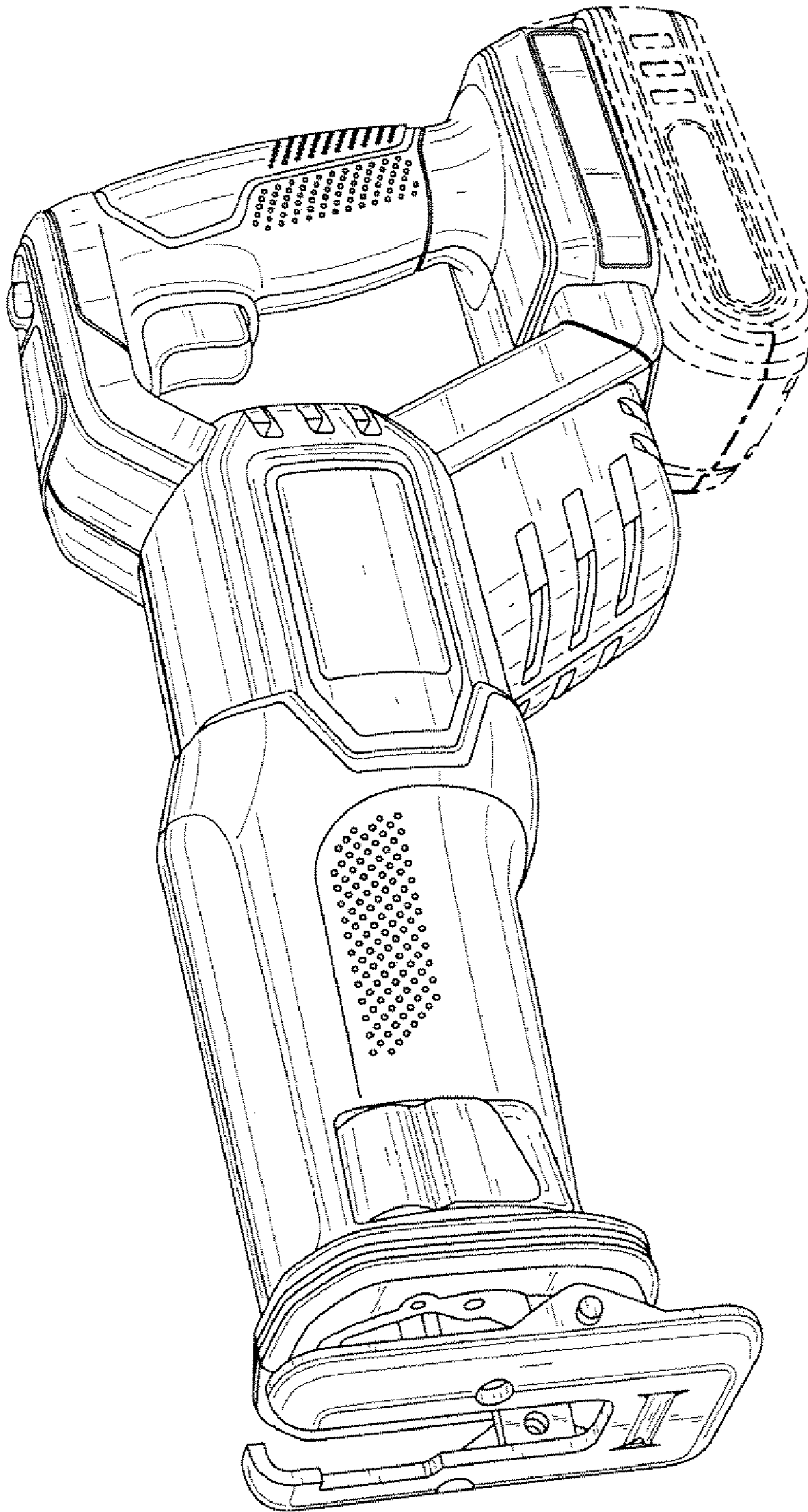


FIG. 1

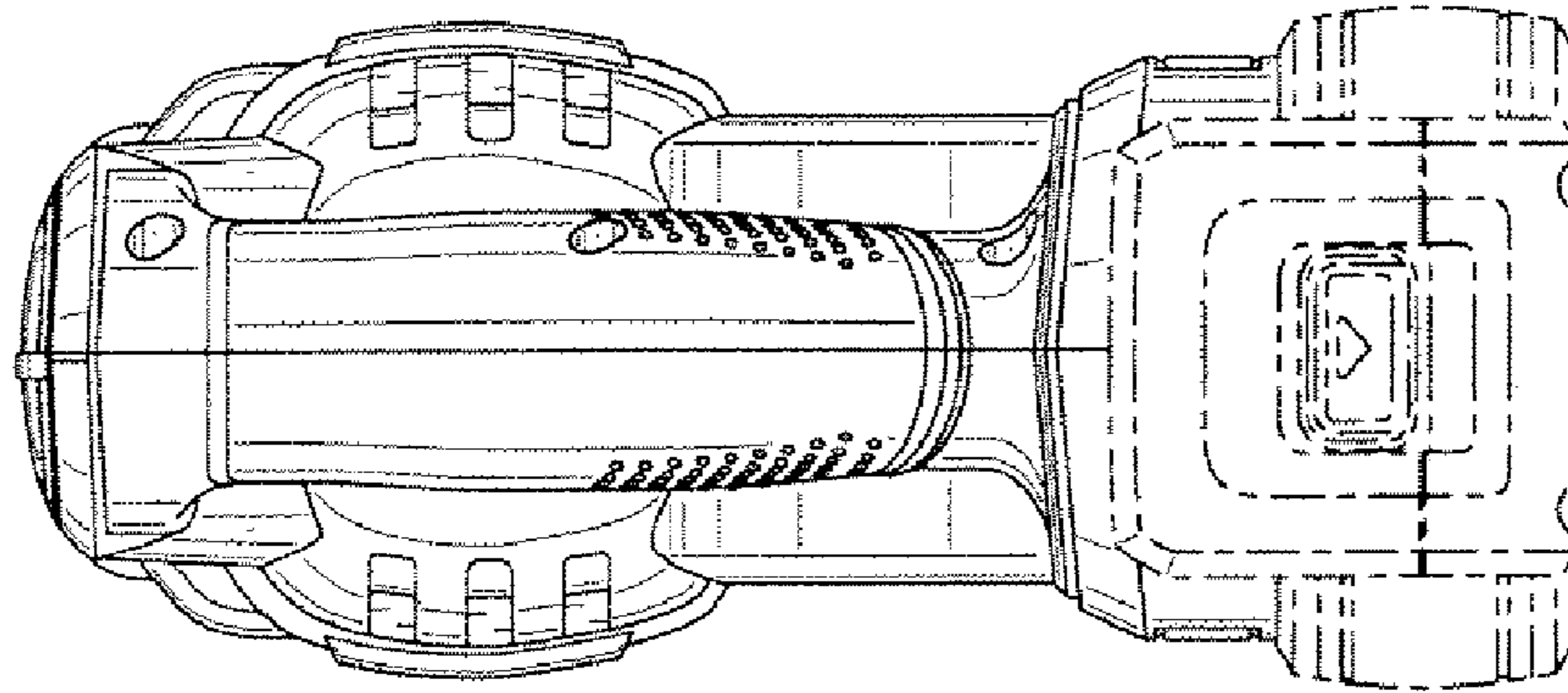


FIG. 2

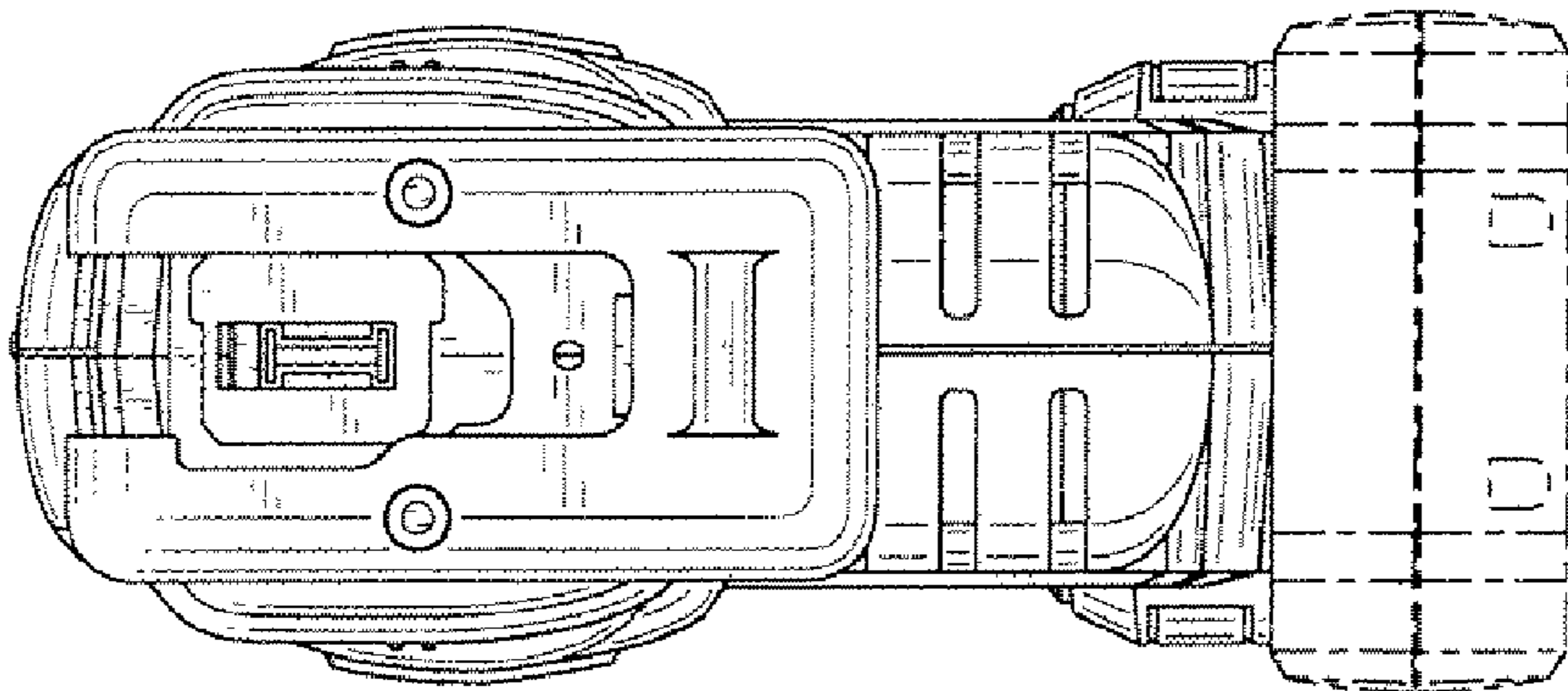


FIG. 3

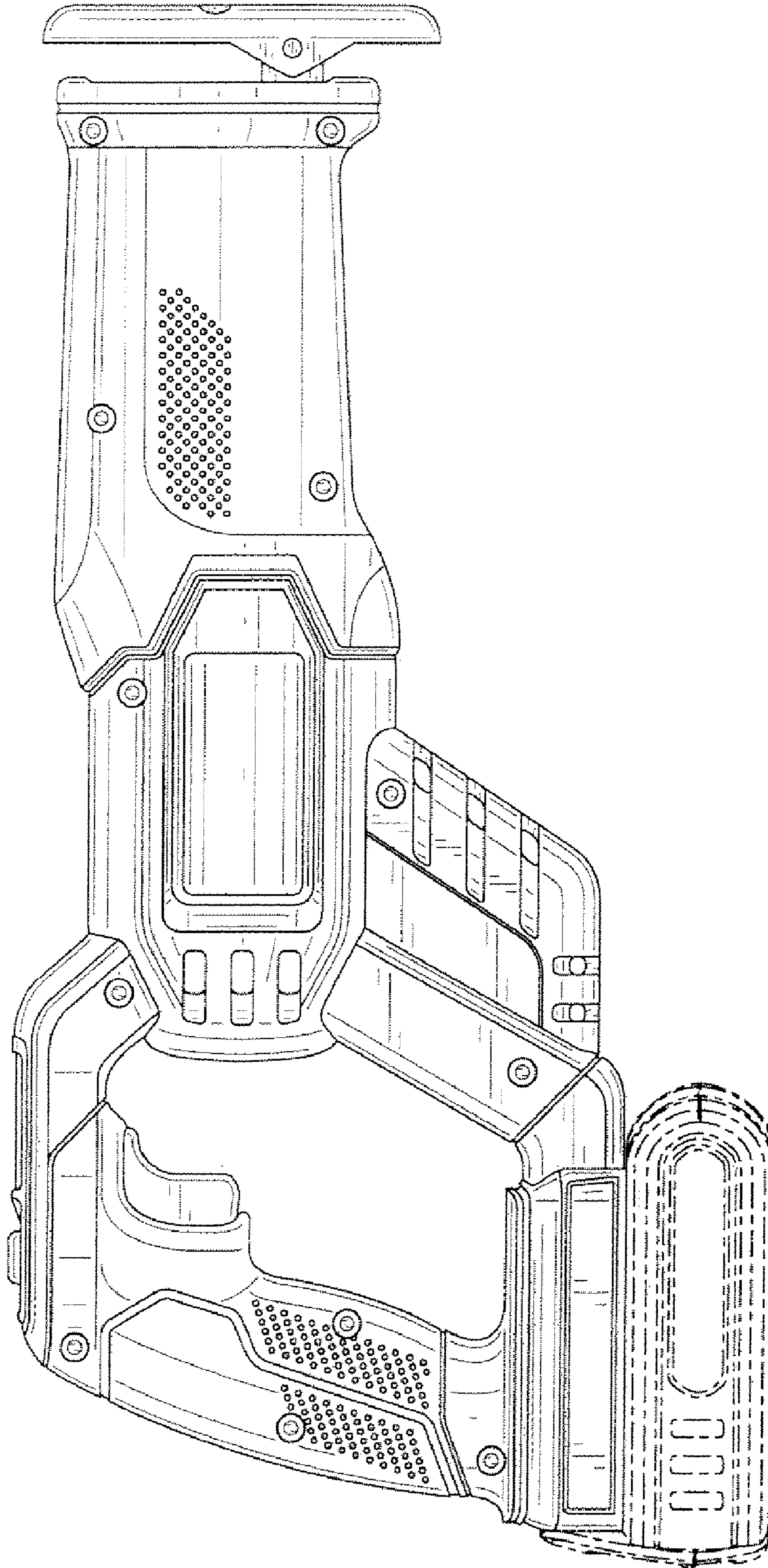


FIG. 4

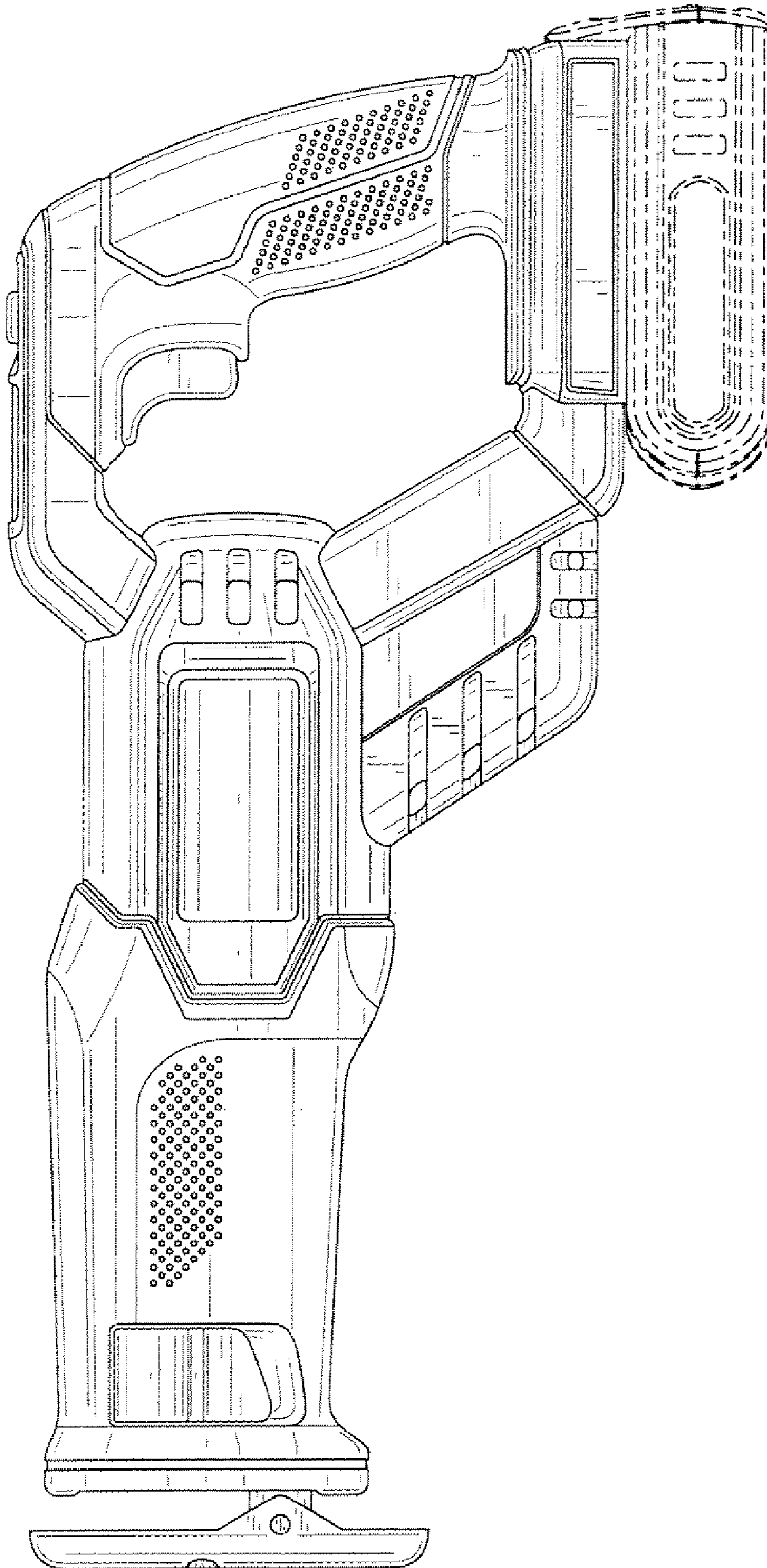


FIG. 5

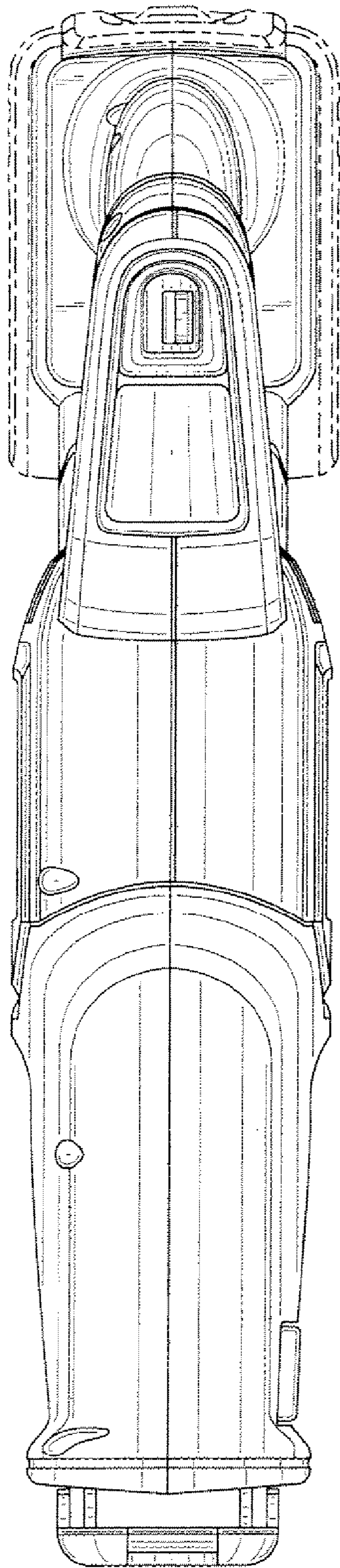


FIG. 6

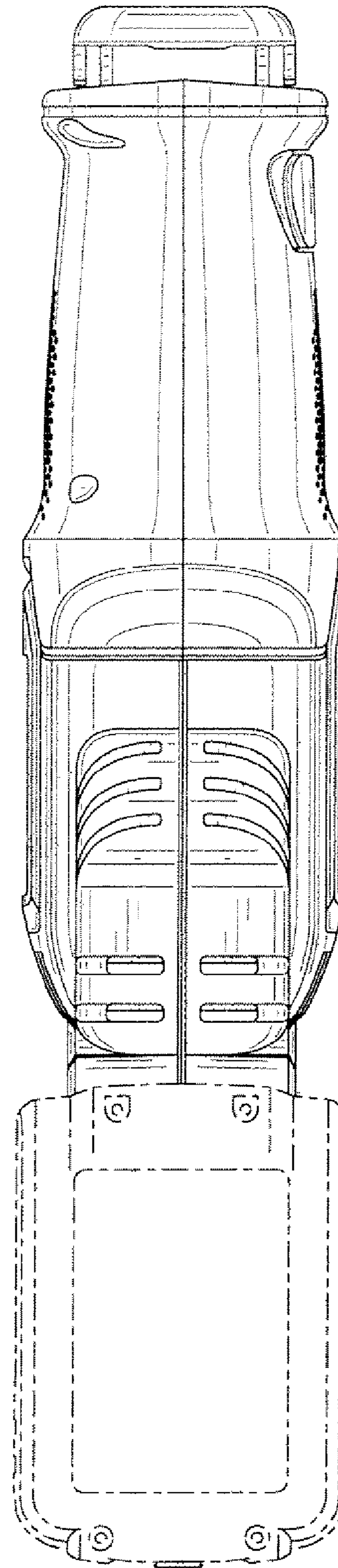


FIG. 7

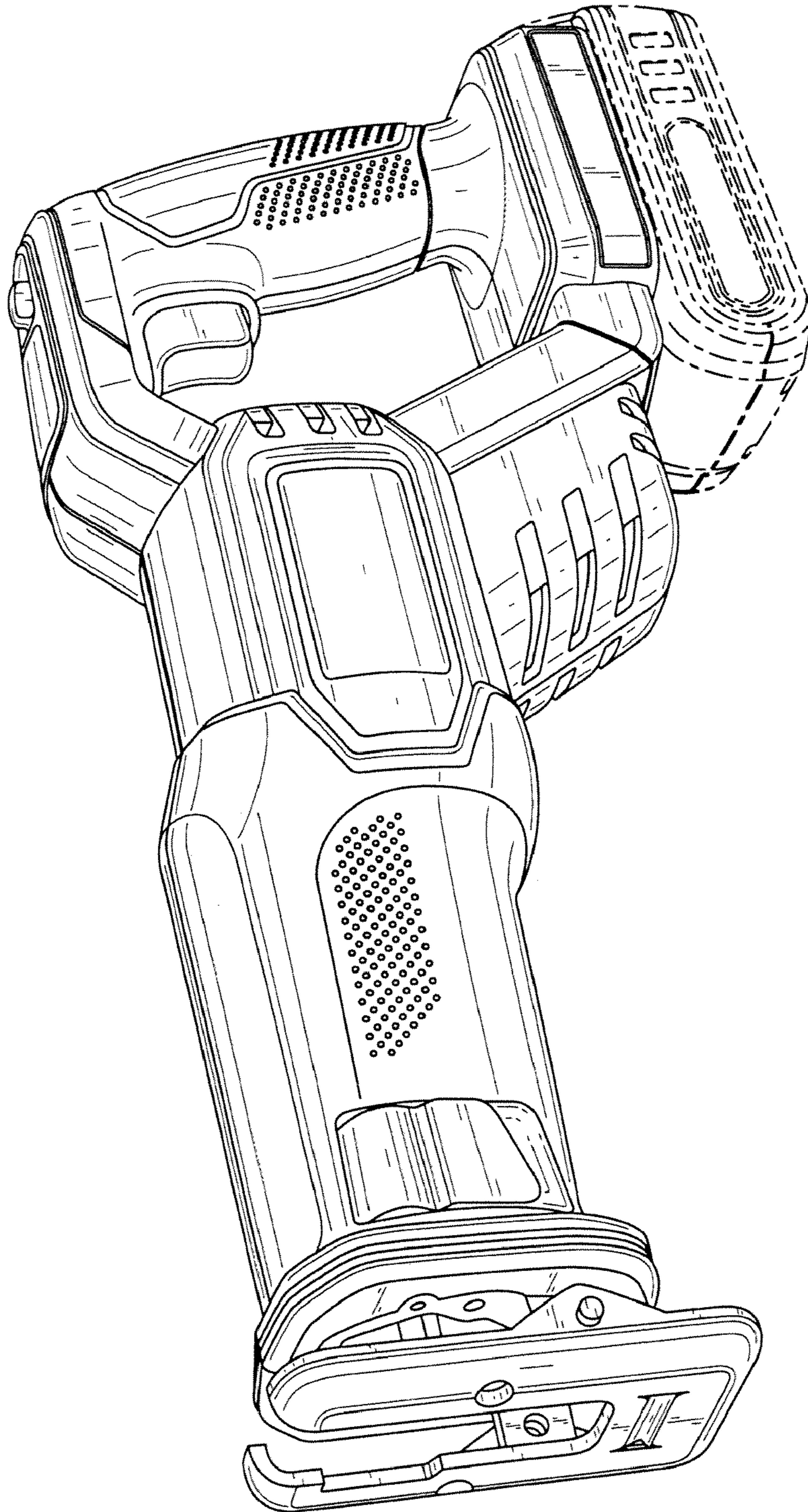


FIG. 8

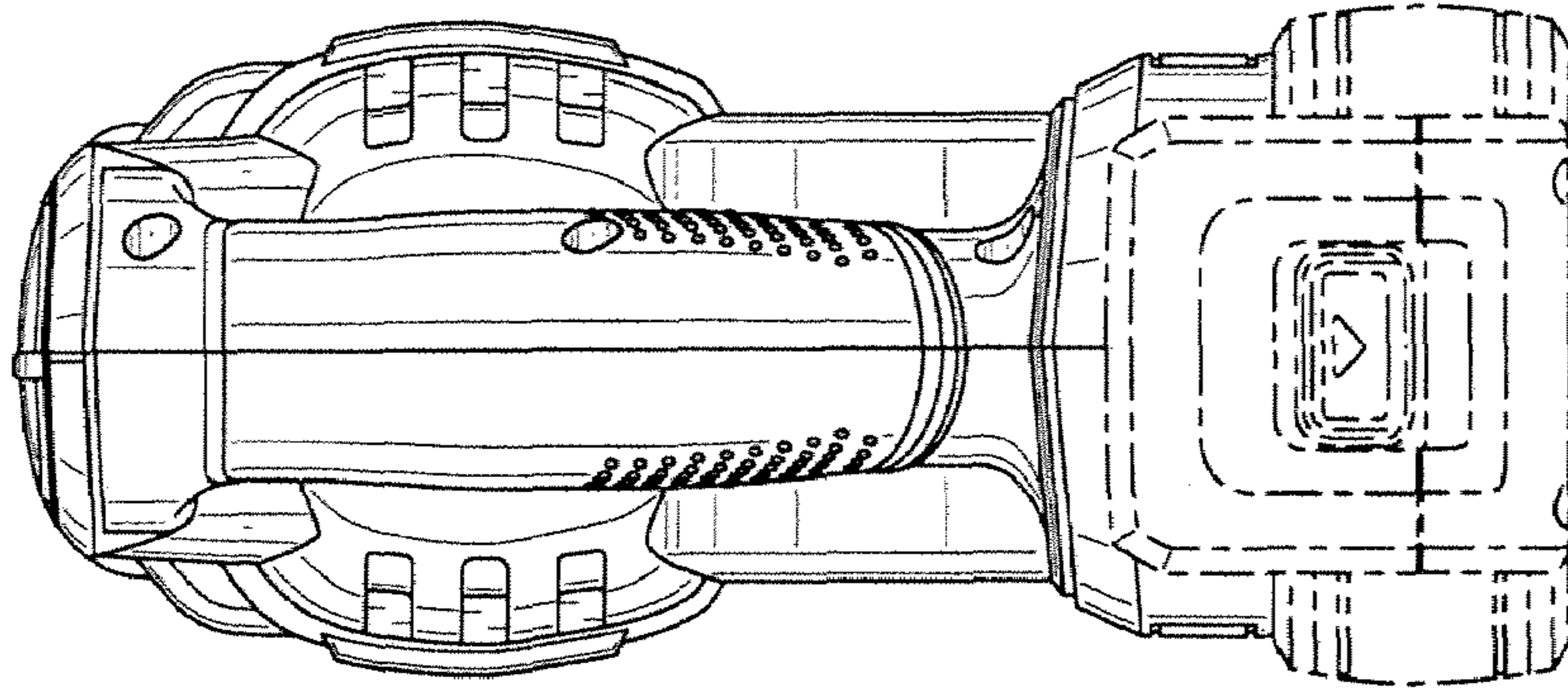


FIG. 9

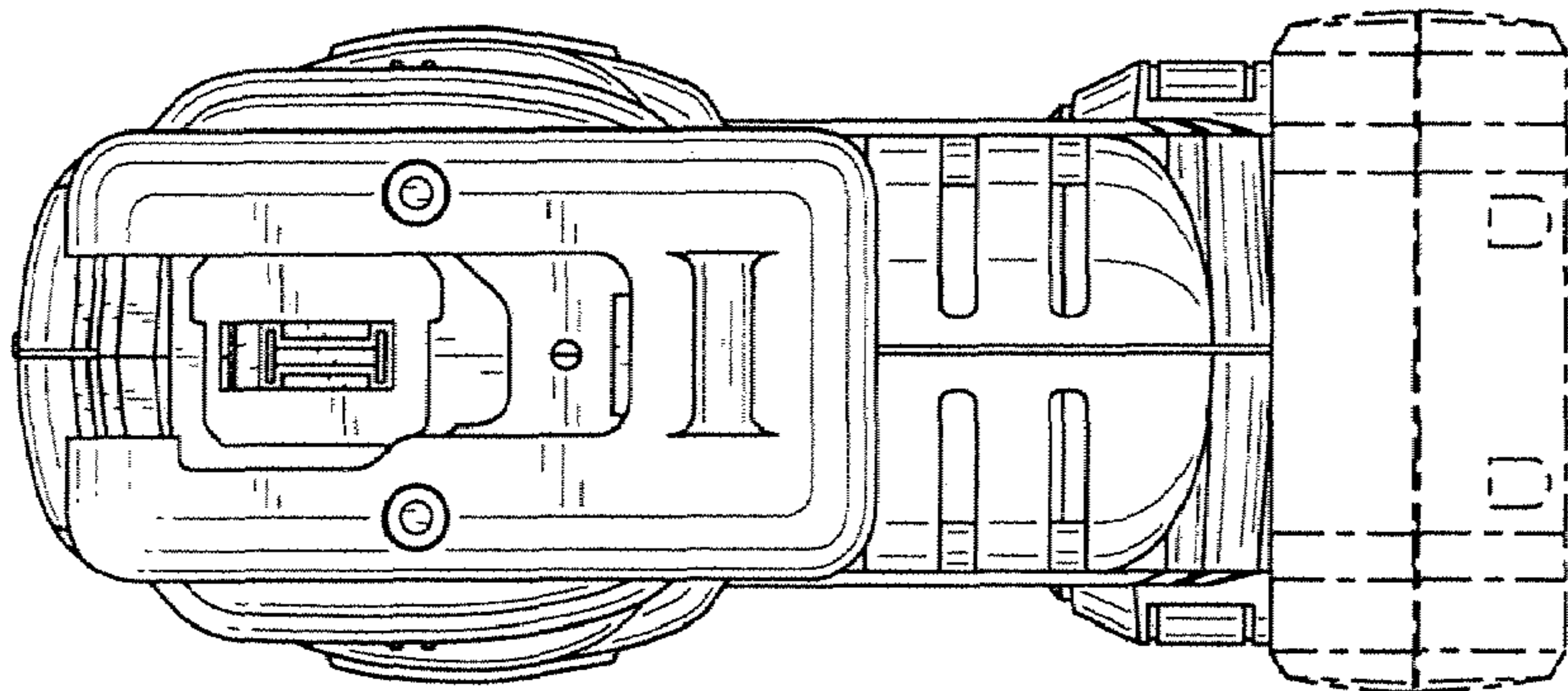


FIG. 10



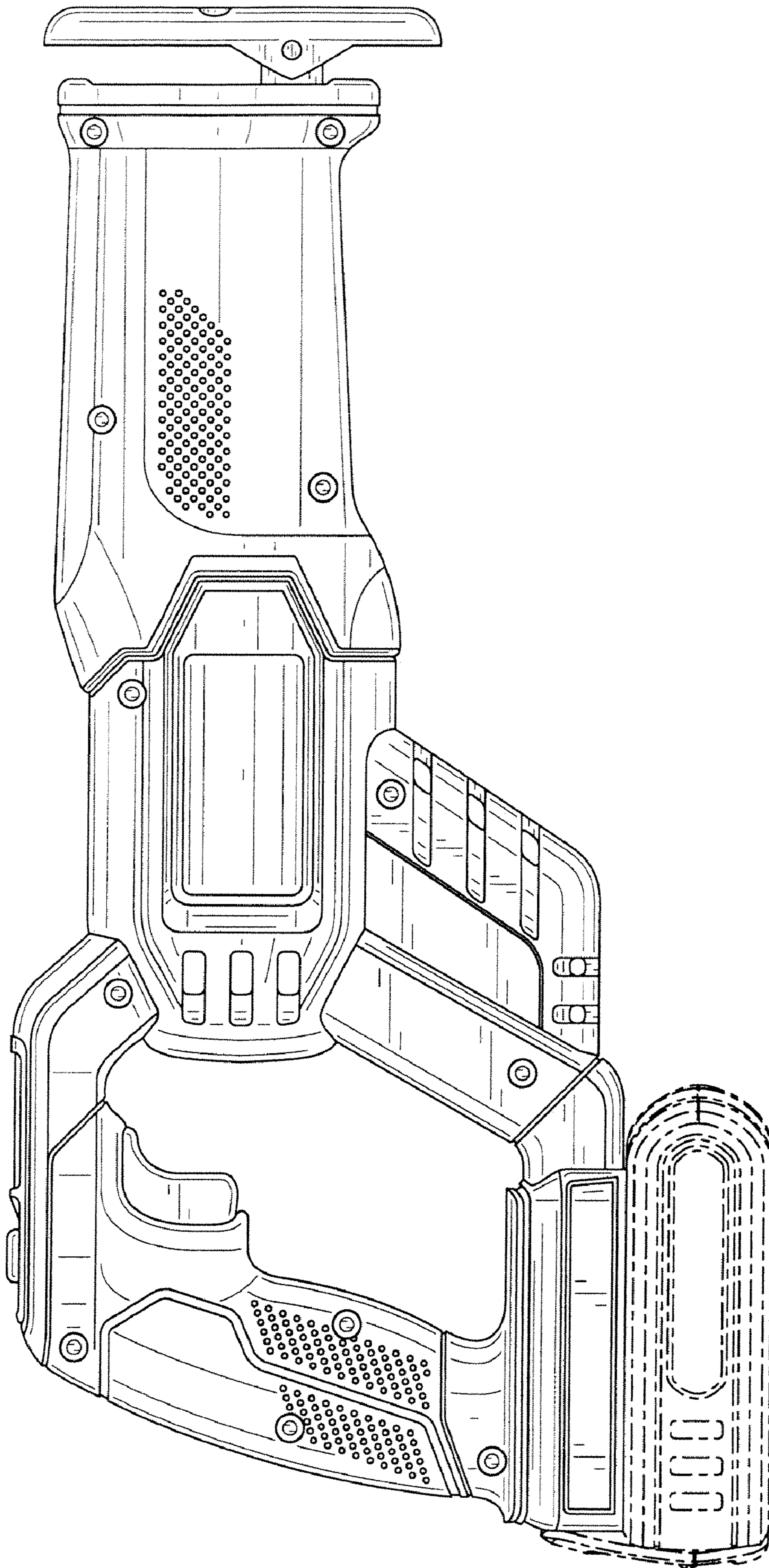


FIG. 11

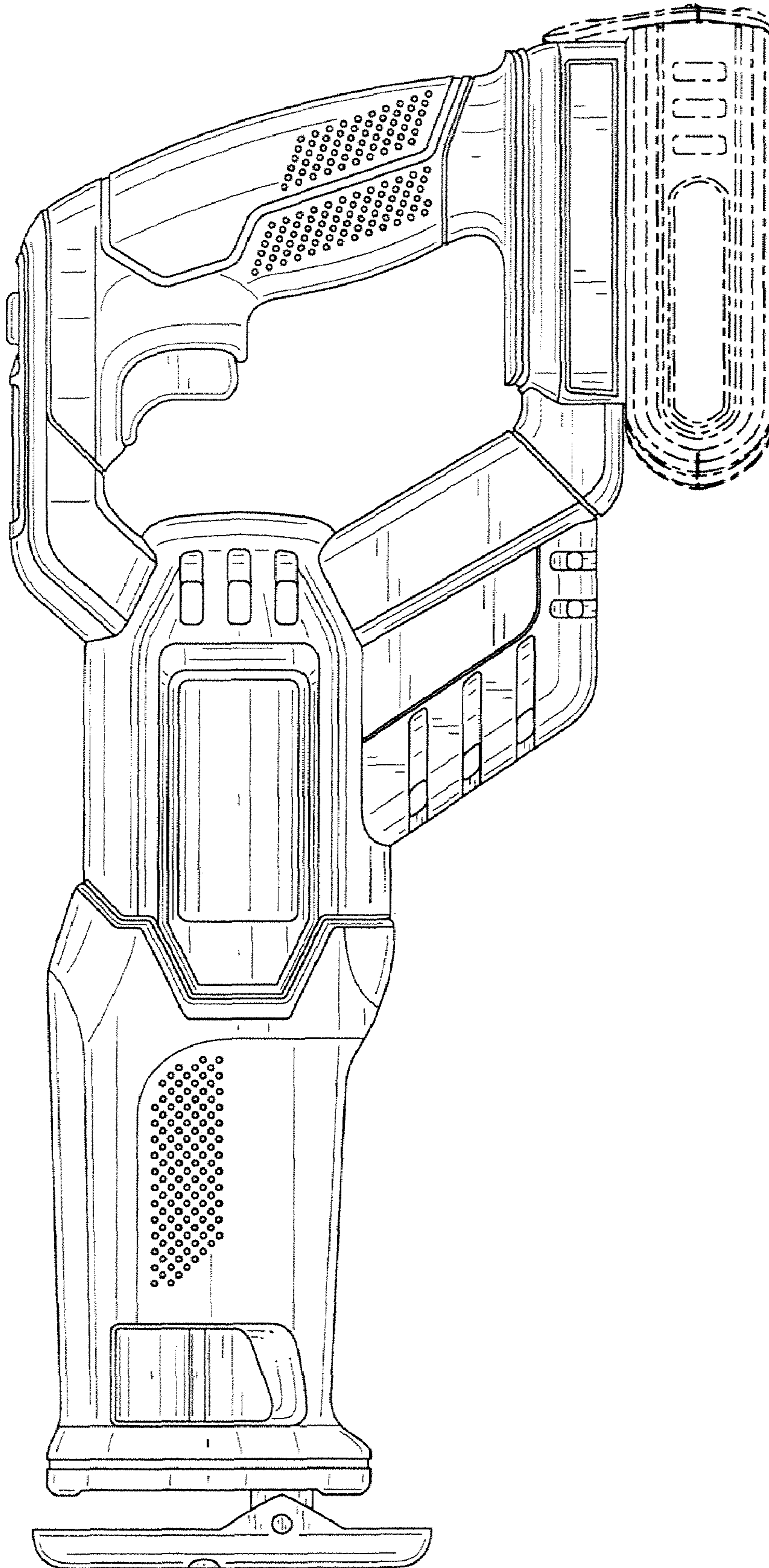


FIG. 12

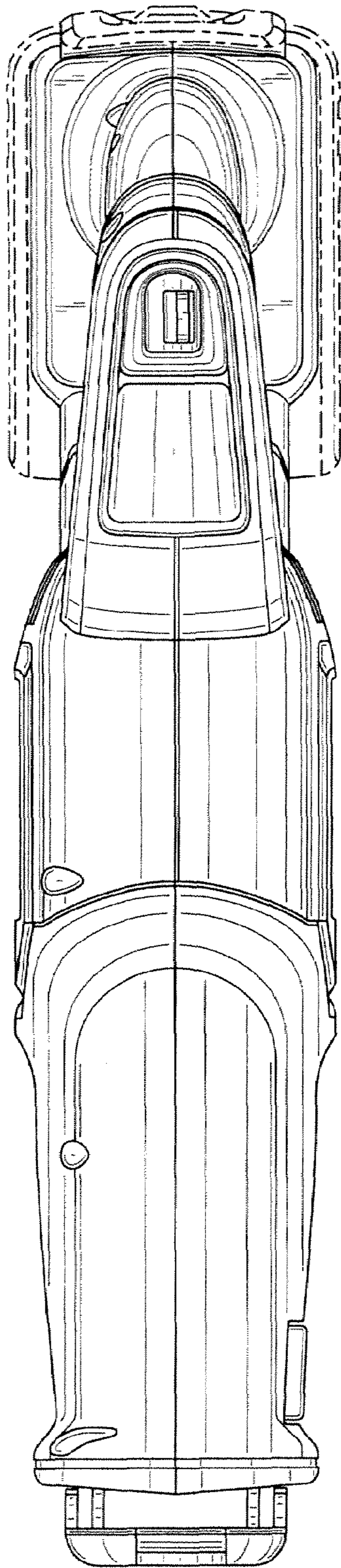


FIG. 13

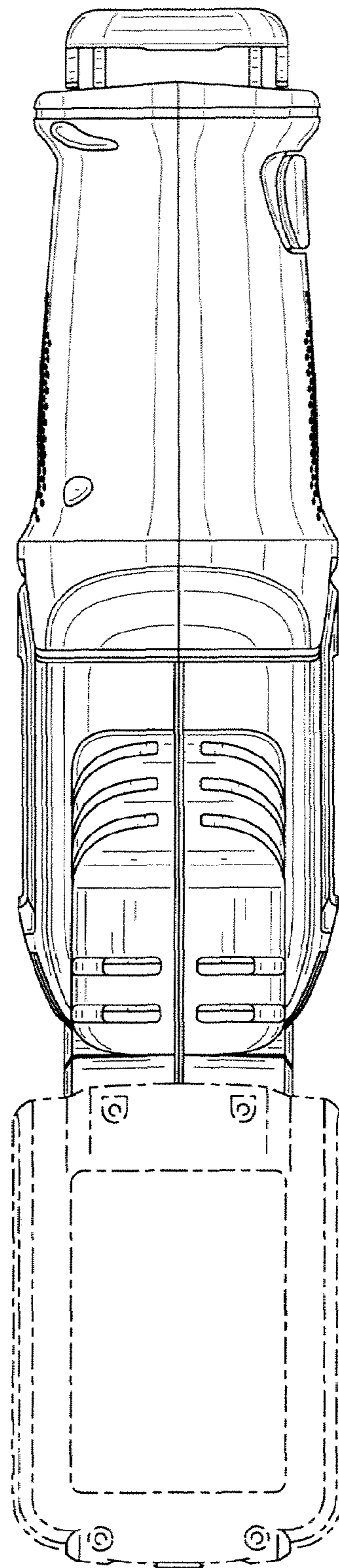


FIG. 14