



US00D596004S

(12) **United States Design Patent**
Picaza Ibarondo

(10) **Patent No.:** **US D596,004 S**
(45) **Date of Patent:** **** Jul. 14, 2009**

(54) **PIPE BENDING TOOL**

4,989,441 A * 2/1991 Wagner 72/390.2
5,105,646 A * 4/1992 Koskinen 72/390.2
6,931,908 B1 * 8/2005 Mitson 72/390.2

(75) Inventor: **Jose Ignacio Picaza Ibarondo,**
Abadiano (ES)

* cited by examiner

(73) Assignee: **Rothenberger, S.A.,** Abadiano (Vizcaya)
(ES)

Primary Examiner—Philip S Hyder
(74) *Attorney, Agent, or Firm*—Lucas & Mercanti, LLP

(**) Term: **14 Years**

(57) **CLAIM**

(21) Appl. No.: **29/318,793**

The ornamental design for a pipe-bending tool, substantially as shown and described.

(22) Filed: **May 28, 2008**

(51) **LOC (9) Cl.** **08-05**

(52) **U.S. Cl.** **D8/32**

(58) **Field of Classification Search** D8/39,
D8/51, 52; 72/390.2, 409.1, 385, 386
See application file for complete search history.

DESCRIPTION

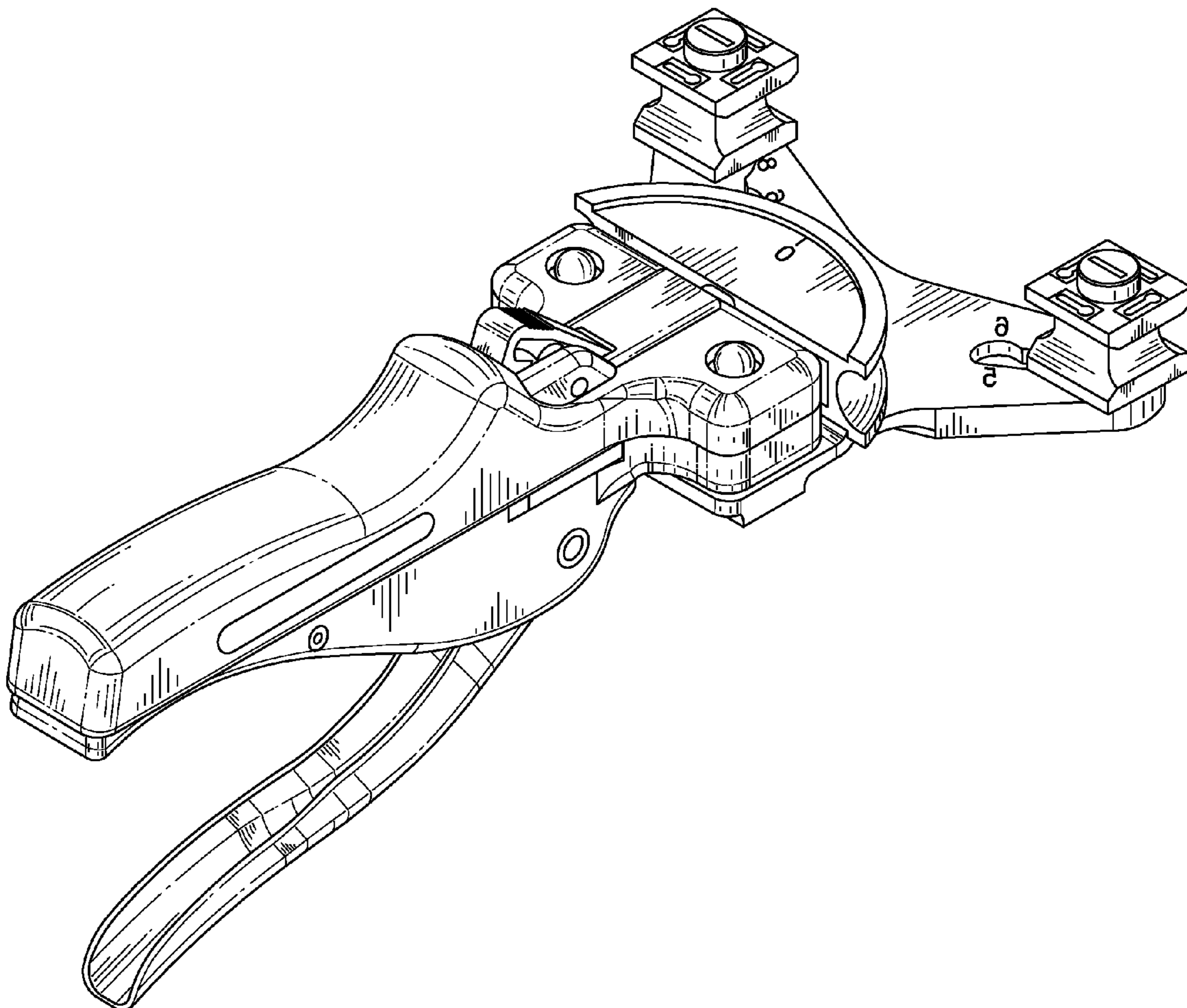
FIG. 1 is a perspective view of my pipe-bending tool design.
FIG. 2 is a right-side view of my pipe-bending tool design;
FIG. 3 is a back view of my pipe-bending tool design;
FIG. 4 is a left-side view of my pipe-bending tool design;
FIG. 5 is a top view of my pipe-bending tool design;
FIG. 6 is a front view of my pipe-bending tool design; and,
FIG. 7 is a bottom view of my pipe-bending tool design.

(56) **References Cited**

U.S. PATENT DOCUMENTS

3,822,578 A * 7/1974 Le Breton 72/390.2
4,077,249 A * 3/1978 Schmitter 72/390.2
4,488,425 A * 12/1984 Meikle 72/389.2

1 Claim, 7 Drawing Sheets



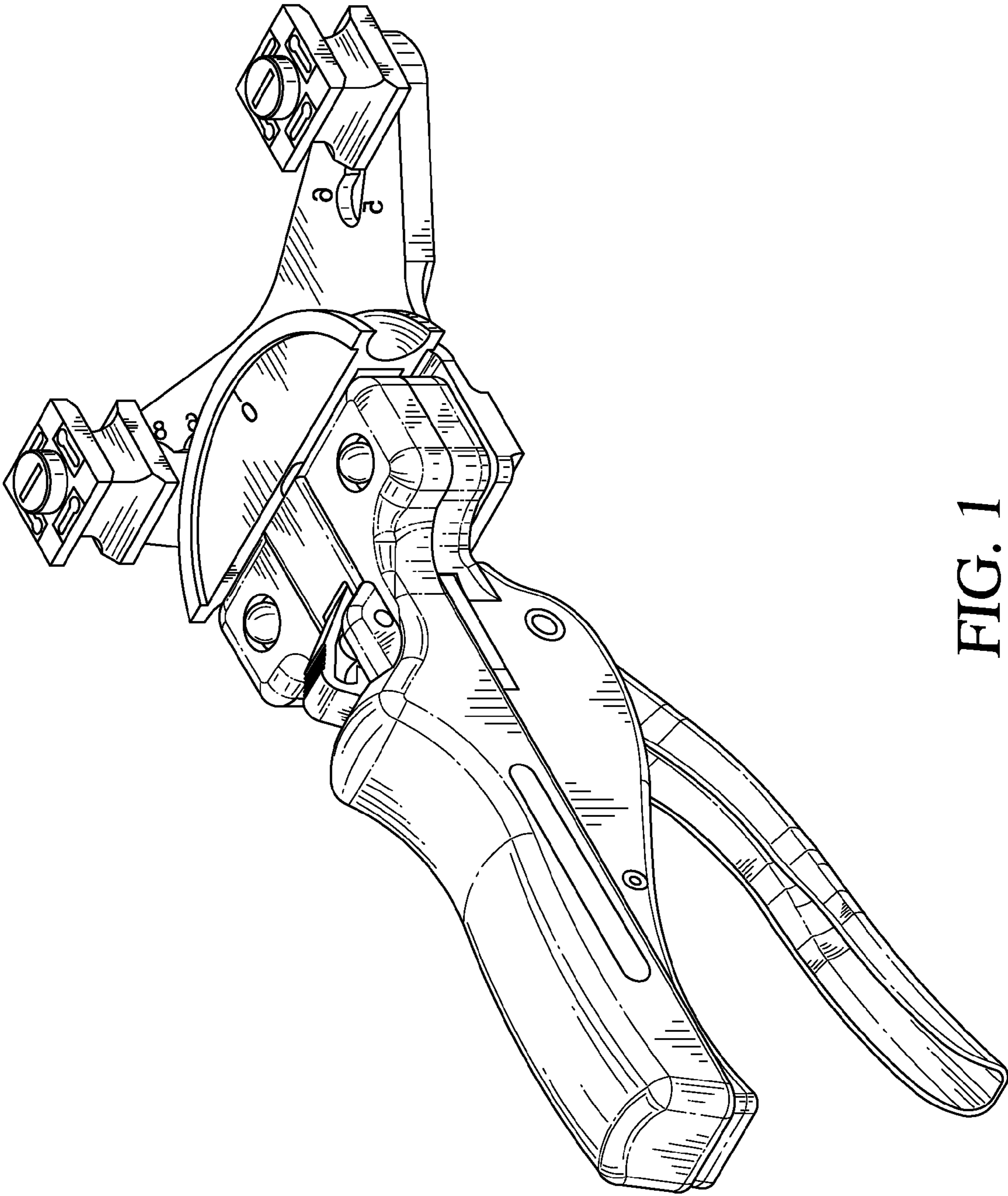


FIG. 1

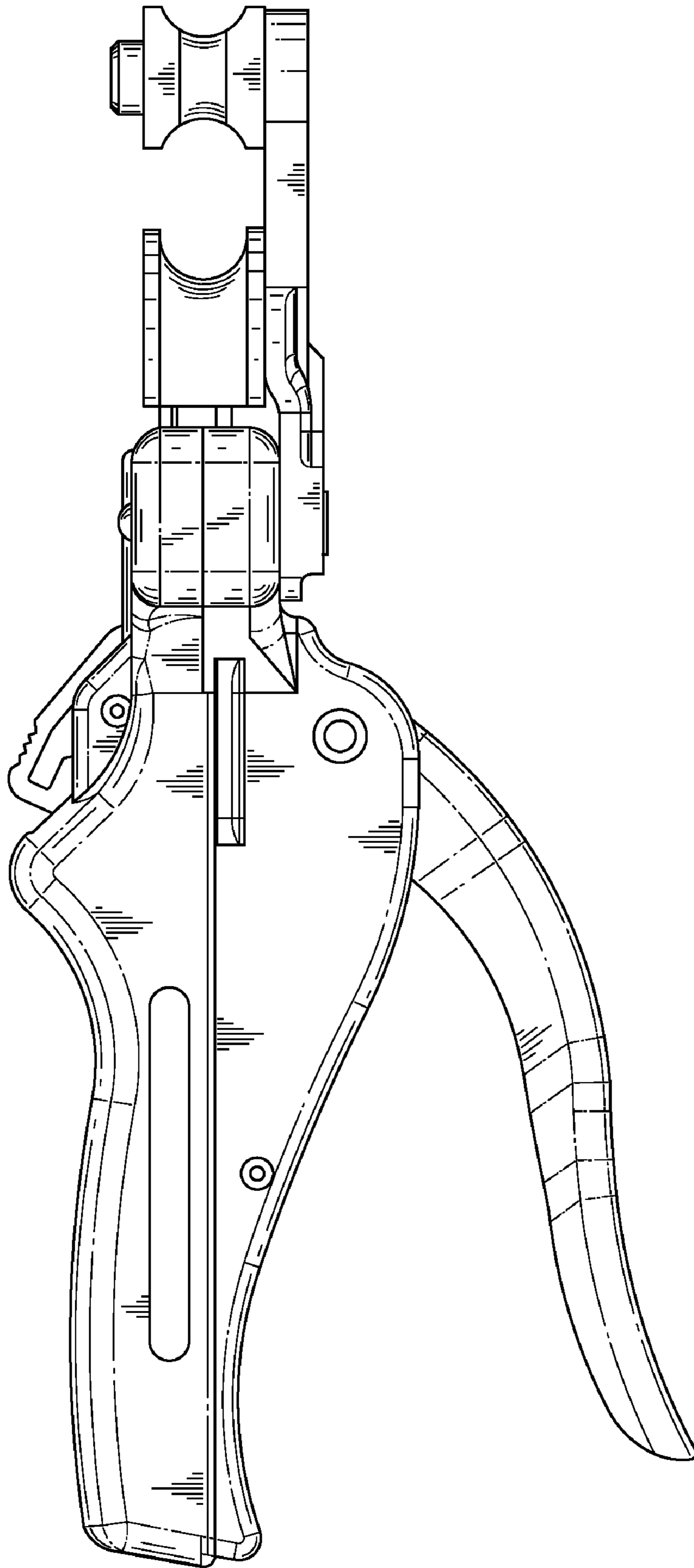


FIG. 2

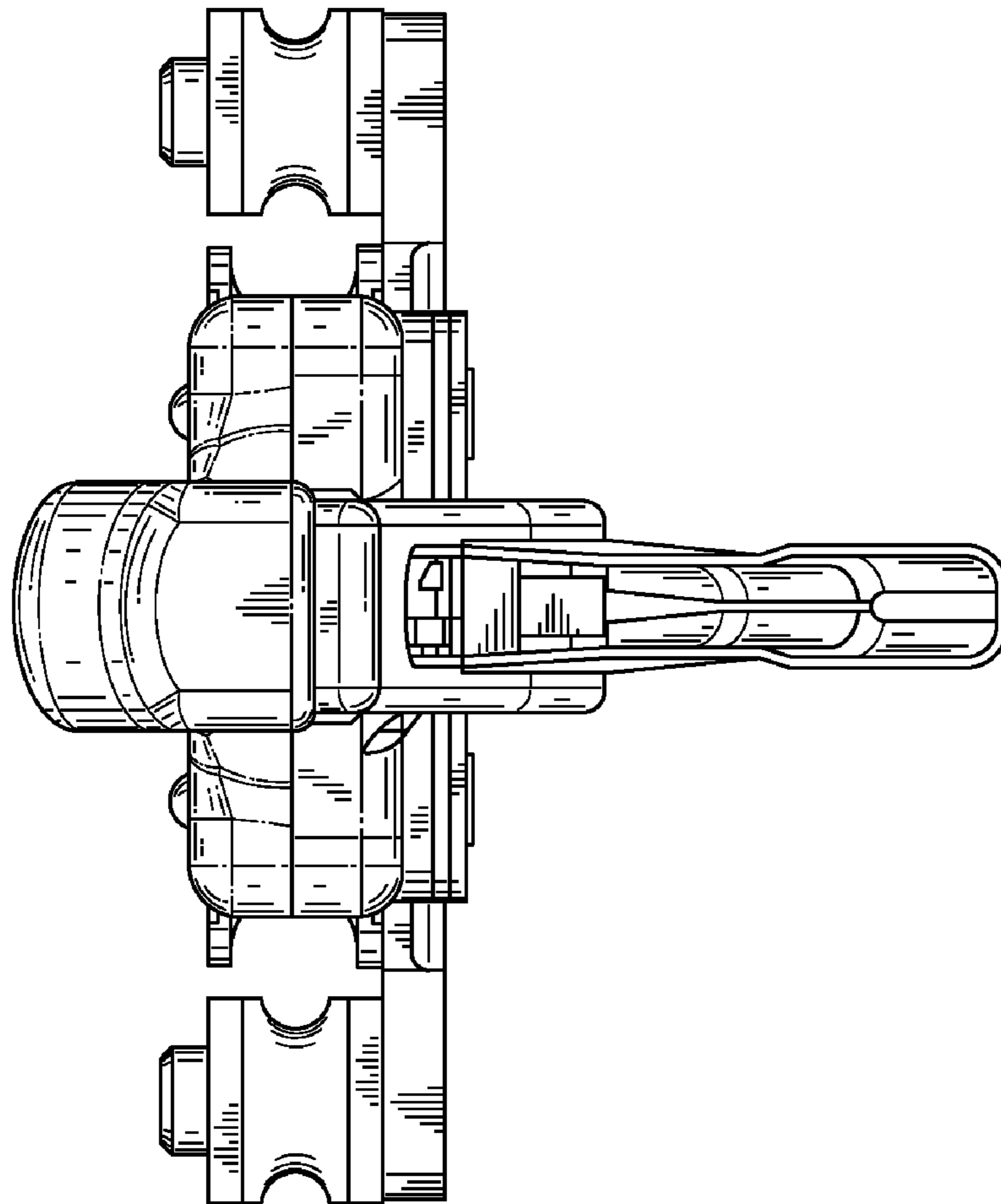


FIG. 3

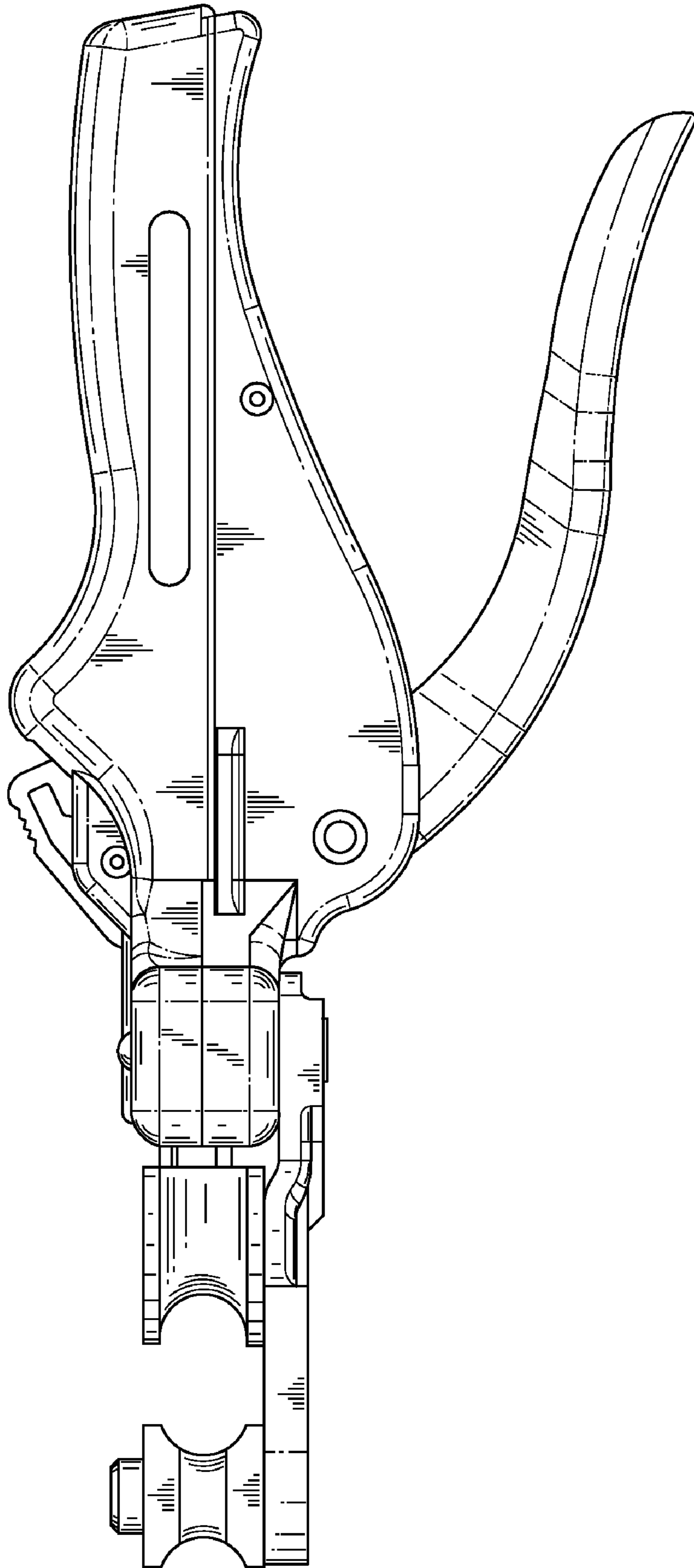


FIG. 4

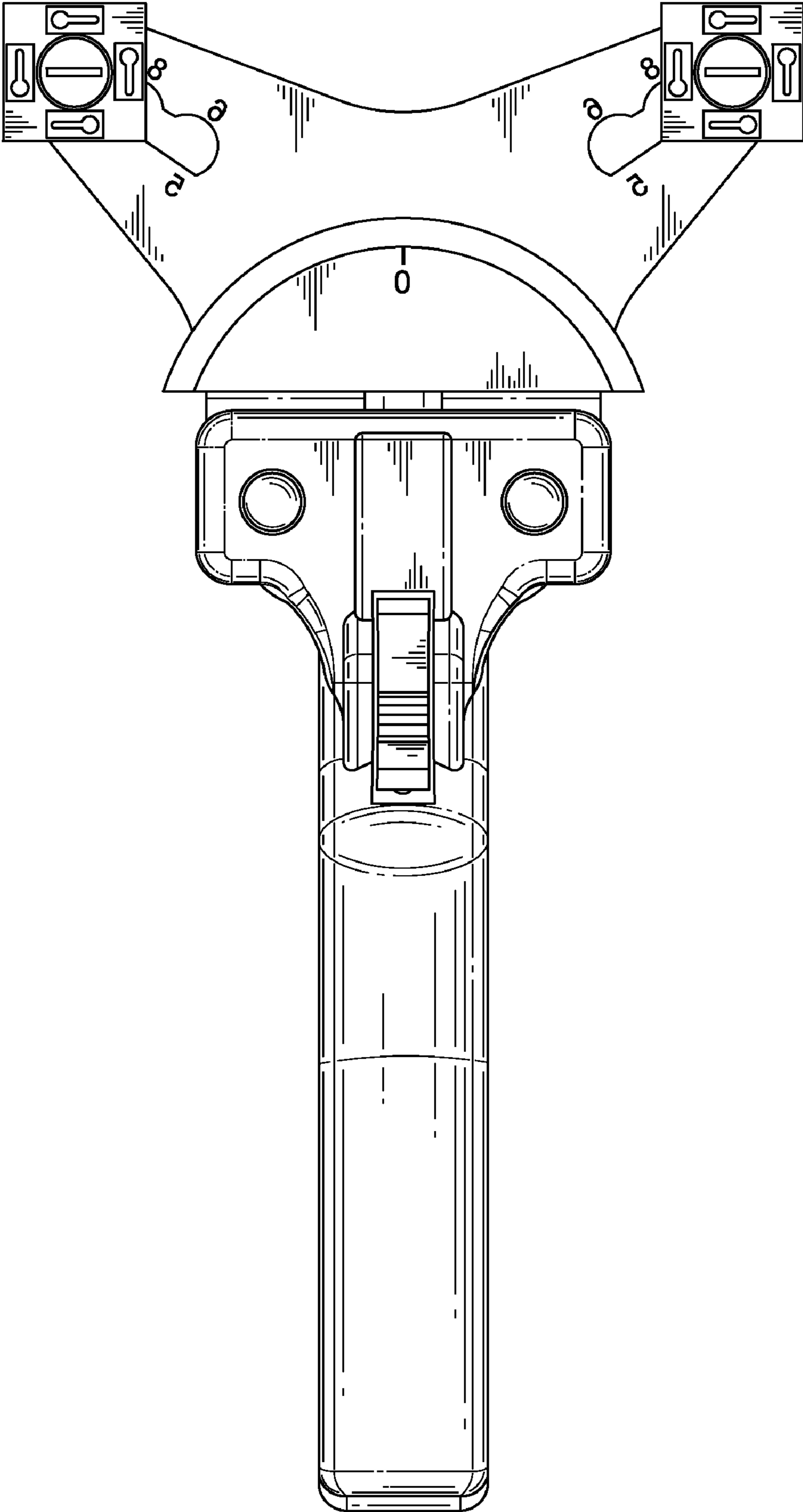


FIG. 5

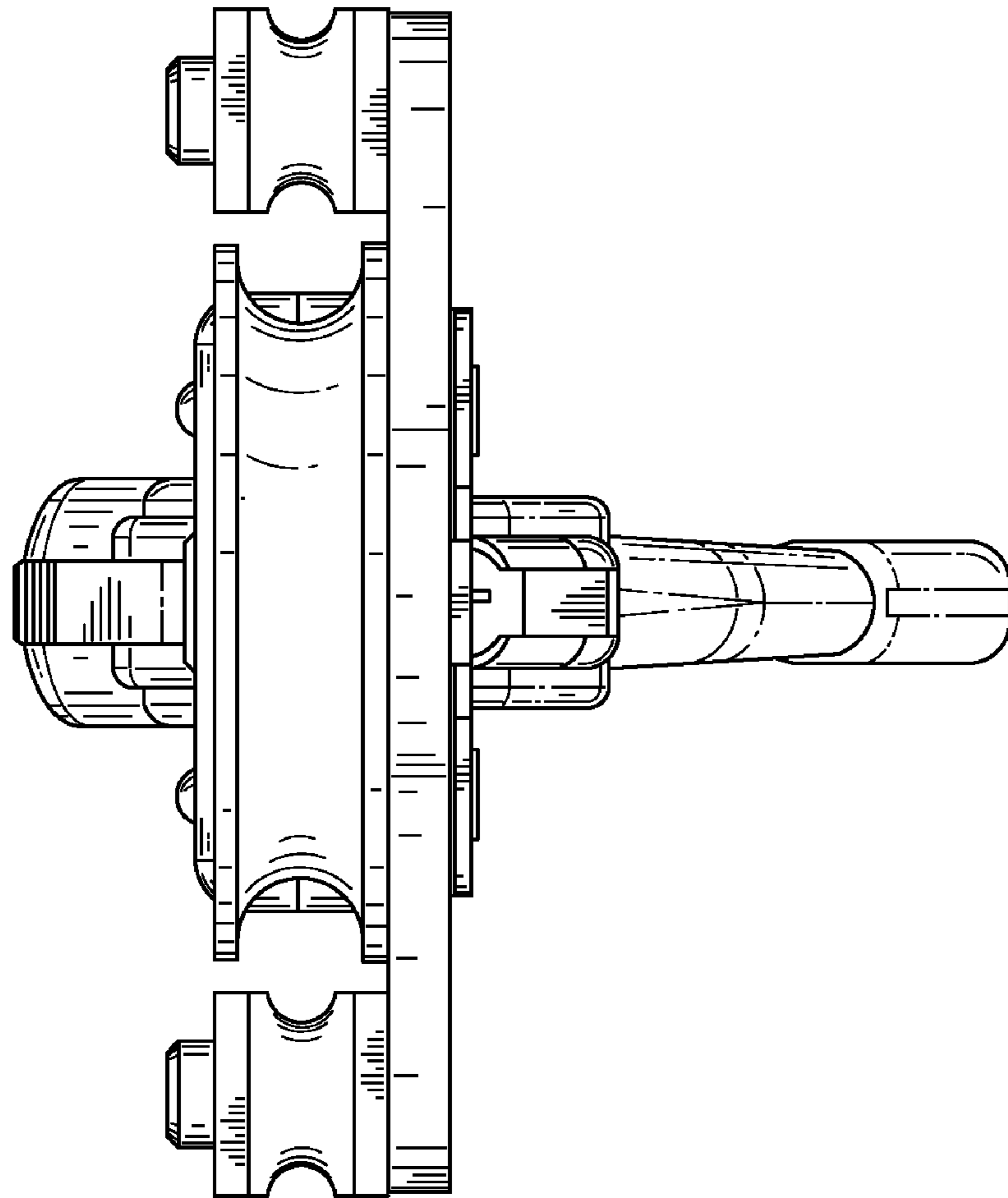


FIG. 6

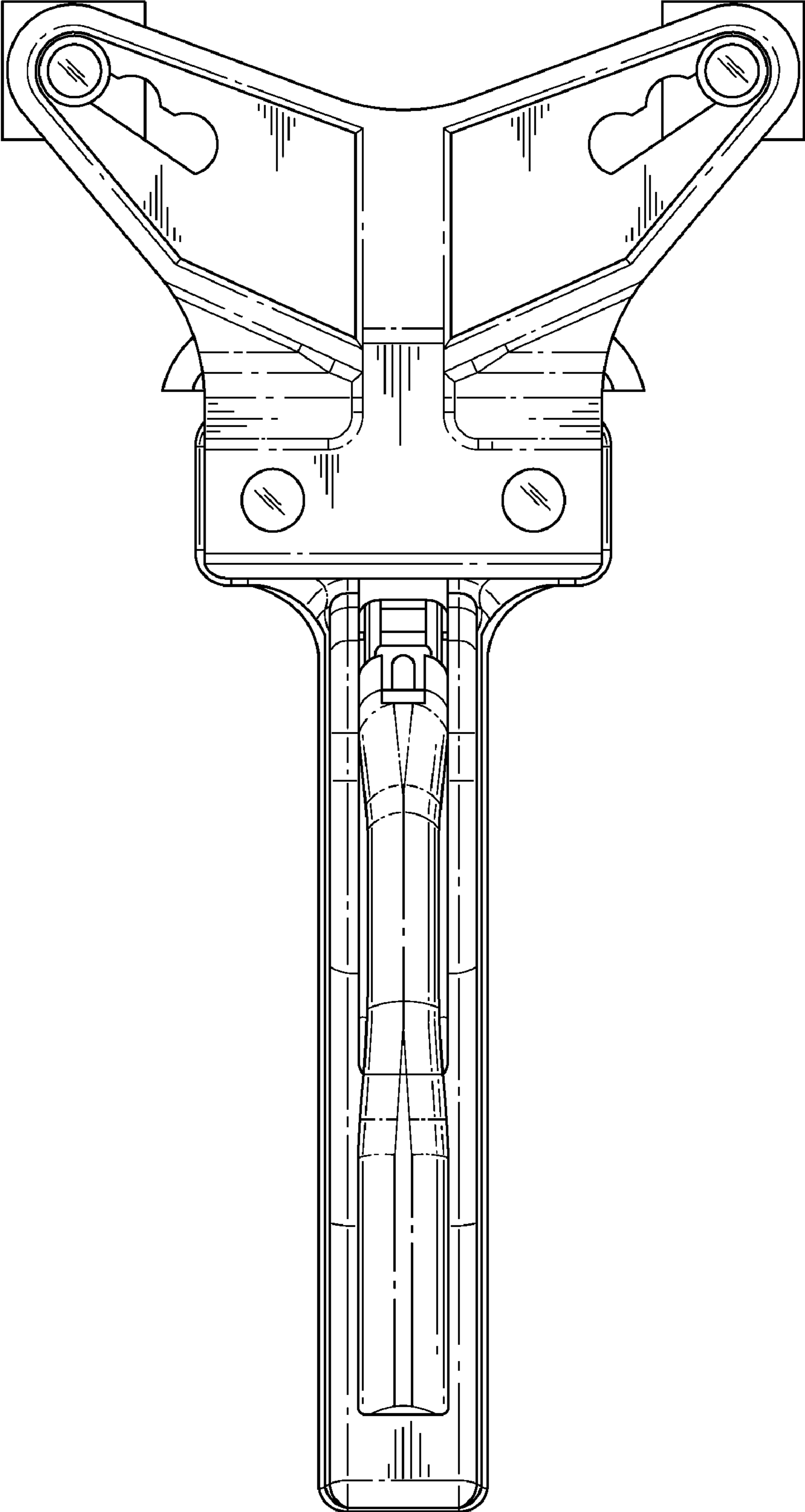


FIG. 7