



US00D596003S

(12) **United States Design Patent**
Collier

(10) **Patent No.:** **US D596,003 S**
(45) **Date of Patent:** **** Jul. 14, 2009**

(54) **NUT WRENCH**

(75) Inventor: **John Arthur Collier**, Carshalton
Beeches (GB)

(73) Assignee: **Monument Tools Limited** (GB)

(**) Term: **14 Years**

(21) Appl. No.: **29/323,318**

(22) Filed: **Aug. 22, 2008**

(30) **Foreign Application Priority Data**

Feb. 22, 2008 (EM) 000884424-0002

(51) **LOC (9) Cl.** **08-05**

(52) **U.S. Cl.** **D8/29**

(58) **Field of Classification Search** D8/21-30;
81/60, 177.1, 177.85, 121.1, 124.3, 165-170,
81/110.1, 176.2, 124.6, 176.1, 176.15, 177.2;
16/110.1; D15/144.1; 219/75, 227, 229,
219/121.16, 121.18

See application file for complete search history.

(56) **References Cited**

U.S. PATENT DOCUMENTS

2,704,954 A * 3/1955 Martorella 81/112
4,663,999 A * 5/1987 Colvin 81/128
5,664,467 A * 9/1997 Breeze 81/114

5,690,006 A * 11/1997 Pulliam 81/177.2
5,765,454 A * 6/1998 Barbulescu et al. 81/487
5,857,711 A * 1/1999 Comin-DuMong et al. ... 285/38
6,332,381 B1 * 12/2001 Vasudeva 81/177.2
6,705,183 B1 * 3/2004 Dickens 81/437
7,231,852 B1 * 6/2007 Henin et al. 81/124.2
7,281,310 B2 * 10/2007 Moore et al. 29/456

* cited by examiner

Primary Examiner—Raphael Barkai

Assistant Examiner—Randall H Gholson

(74) *Attorney, Agent, or Firm*—Trexler, Bushnell,
Giangiorgi, Blackstone & Marr, Ltd.

(57) **CLAIM**

The ornamental design for a nut wrench, as shown and described.

DESCRIPTION

FIG. 1 is a front perspective view of a nut wrench;

FIG. 2 is a rear perspective view of a nut wrench;

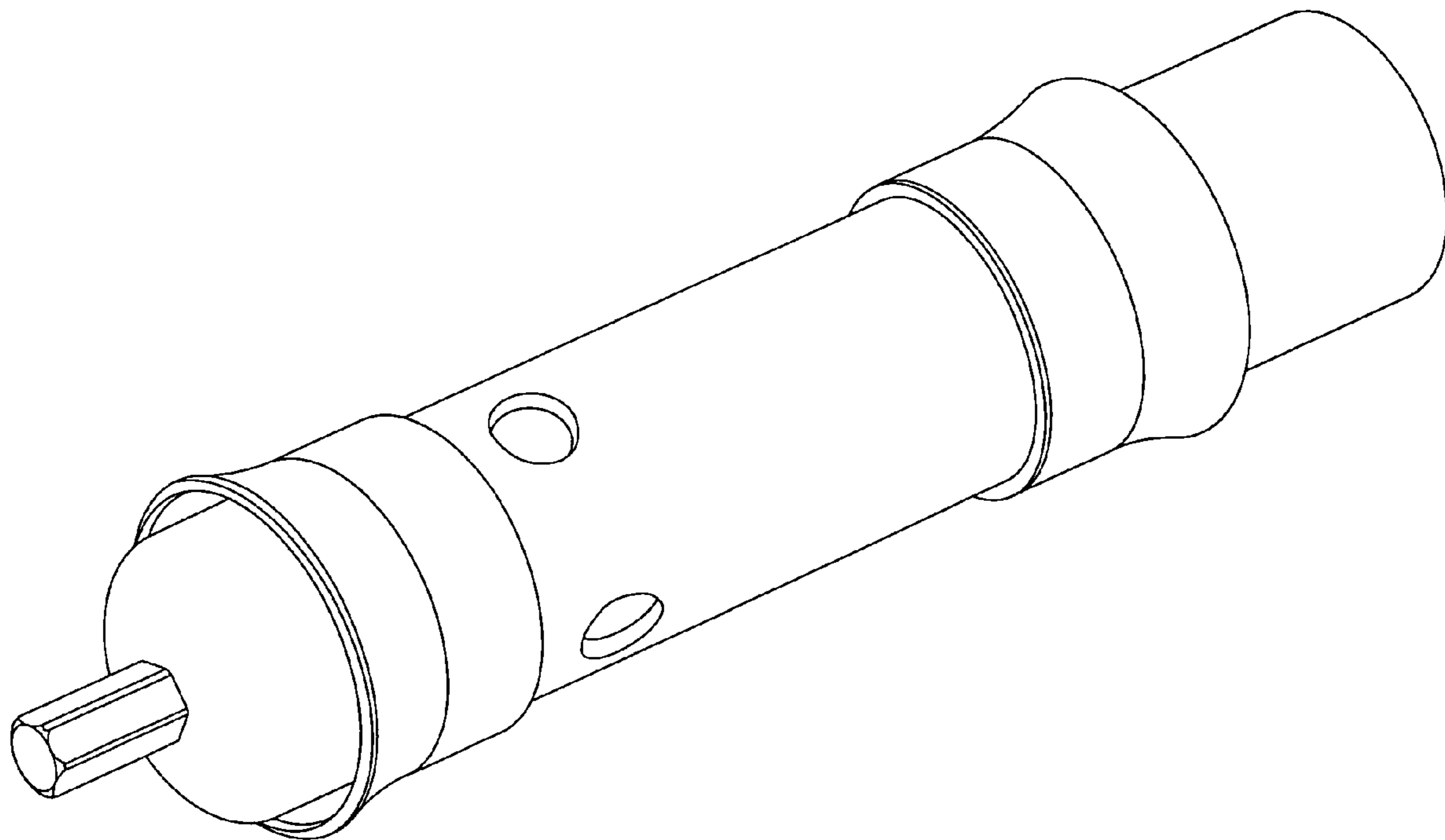
FIG. 3 is a right-side view of a nut wrench and also substantially corresponds to a bottom view;

FIG. 4 is a left-side view of a nut wrench, and also substantially corresponds to a top view;

FIG. 5 is a front view of a nut wrench; and,

FIG. 6 is a rear view of a nut wrench.

1 Claim, 6 Drawing Sheets



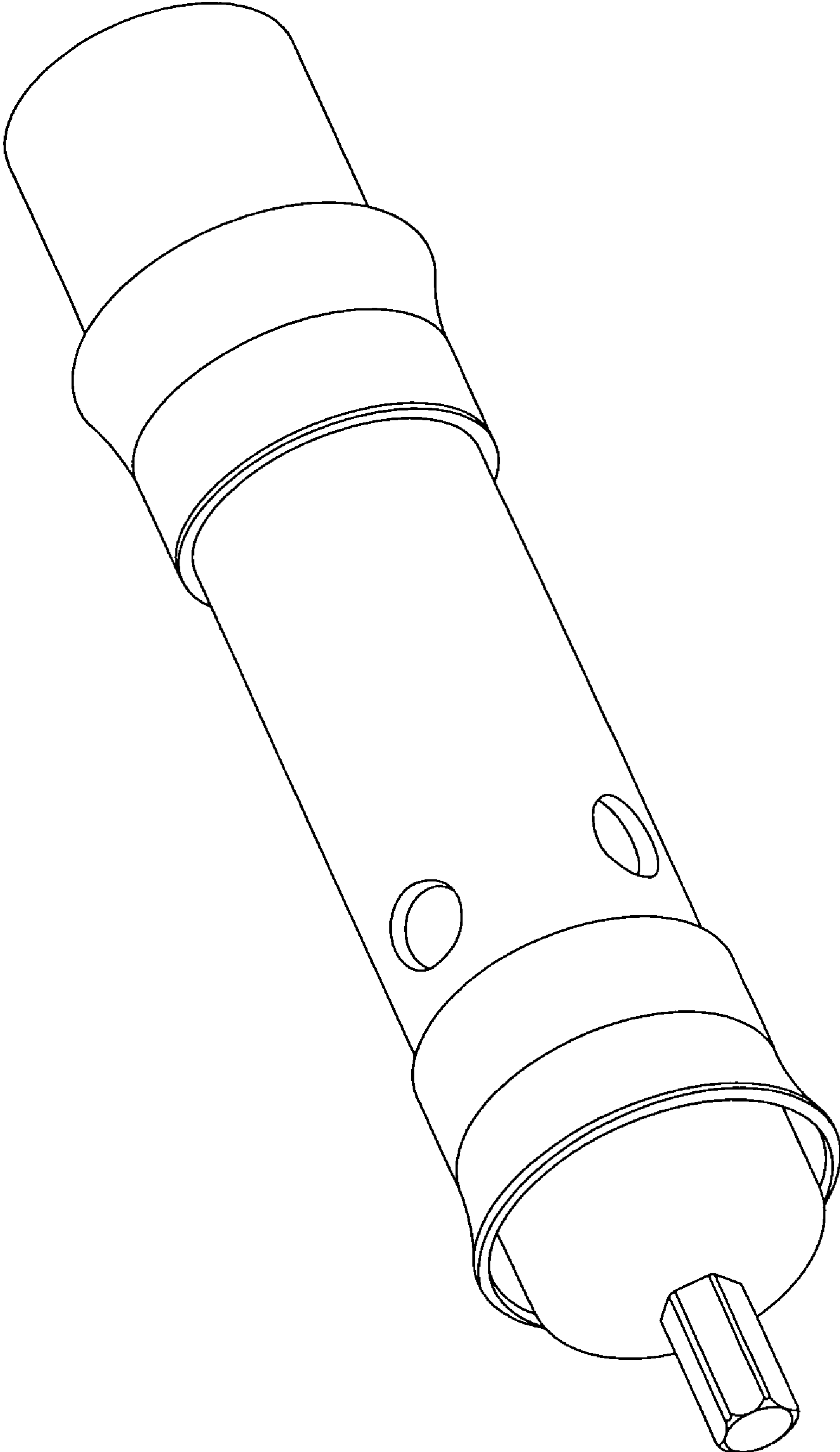


FIGURE 1

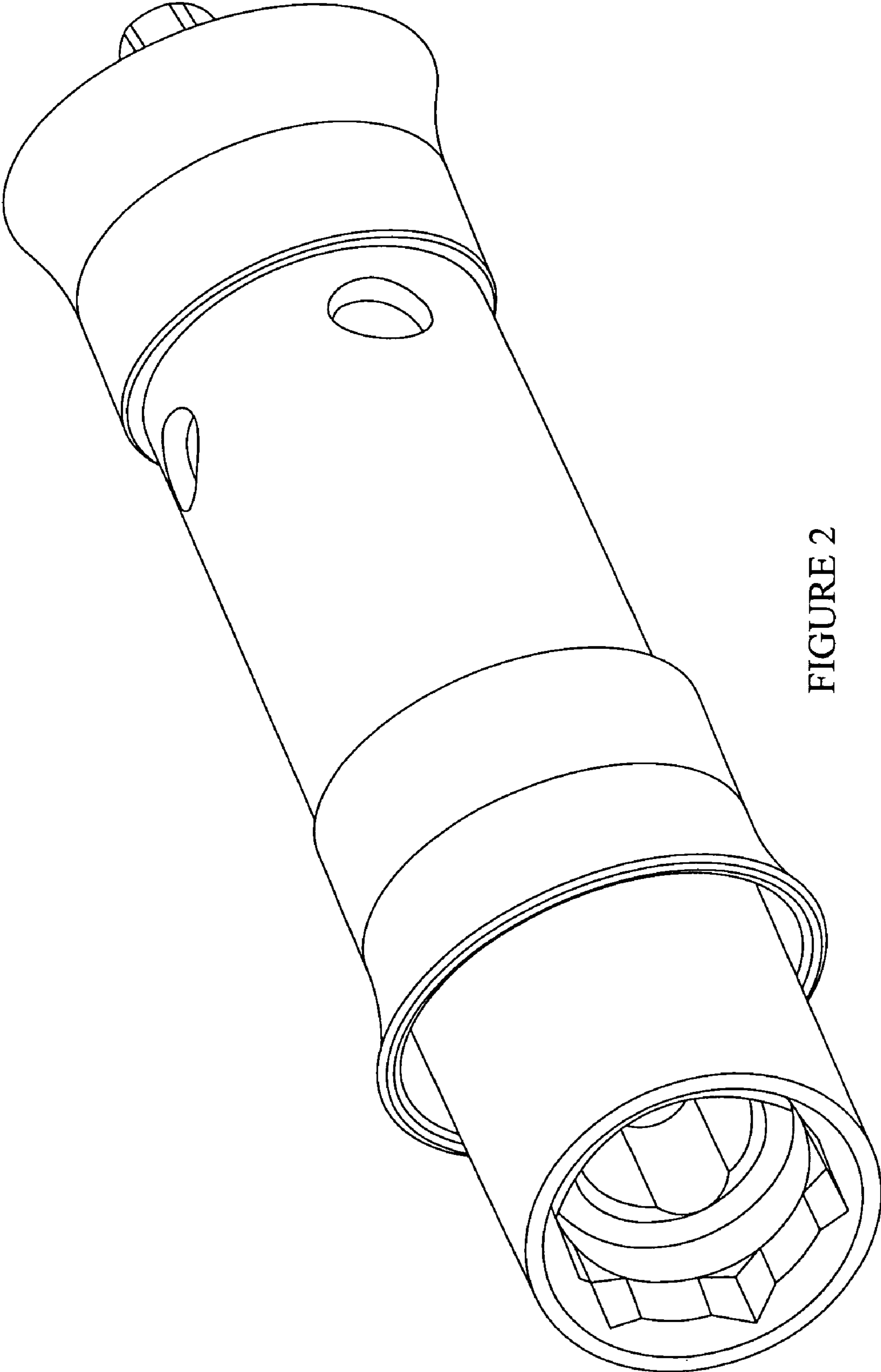


FIGURE 2

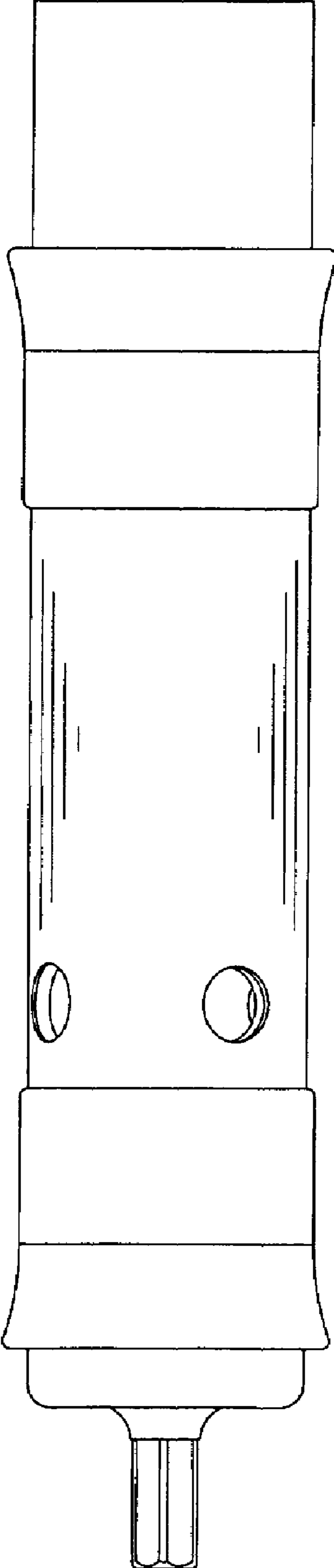


FIGURE 3

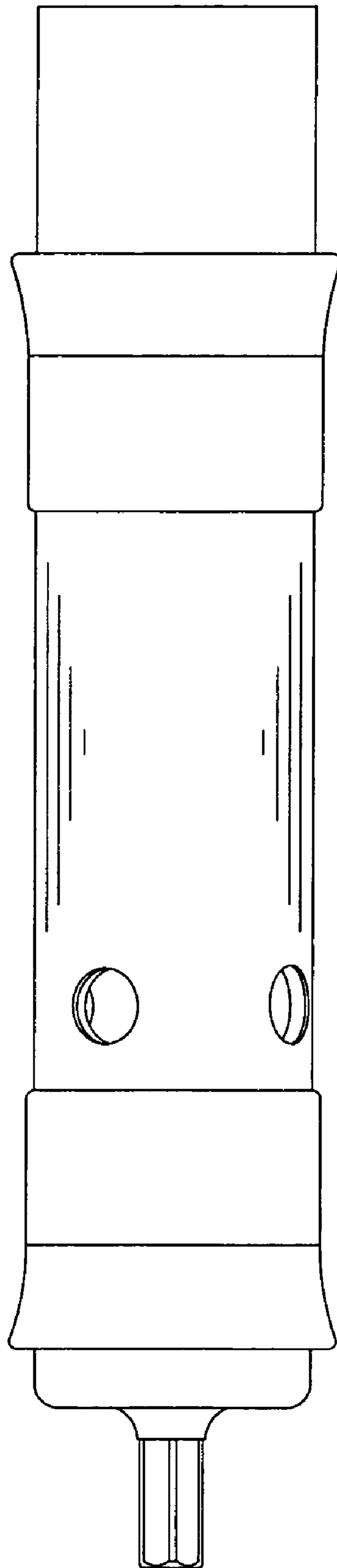


FIGURE 4

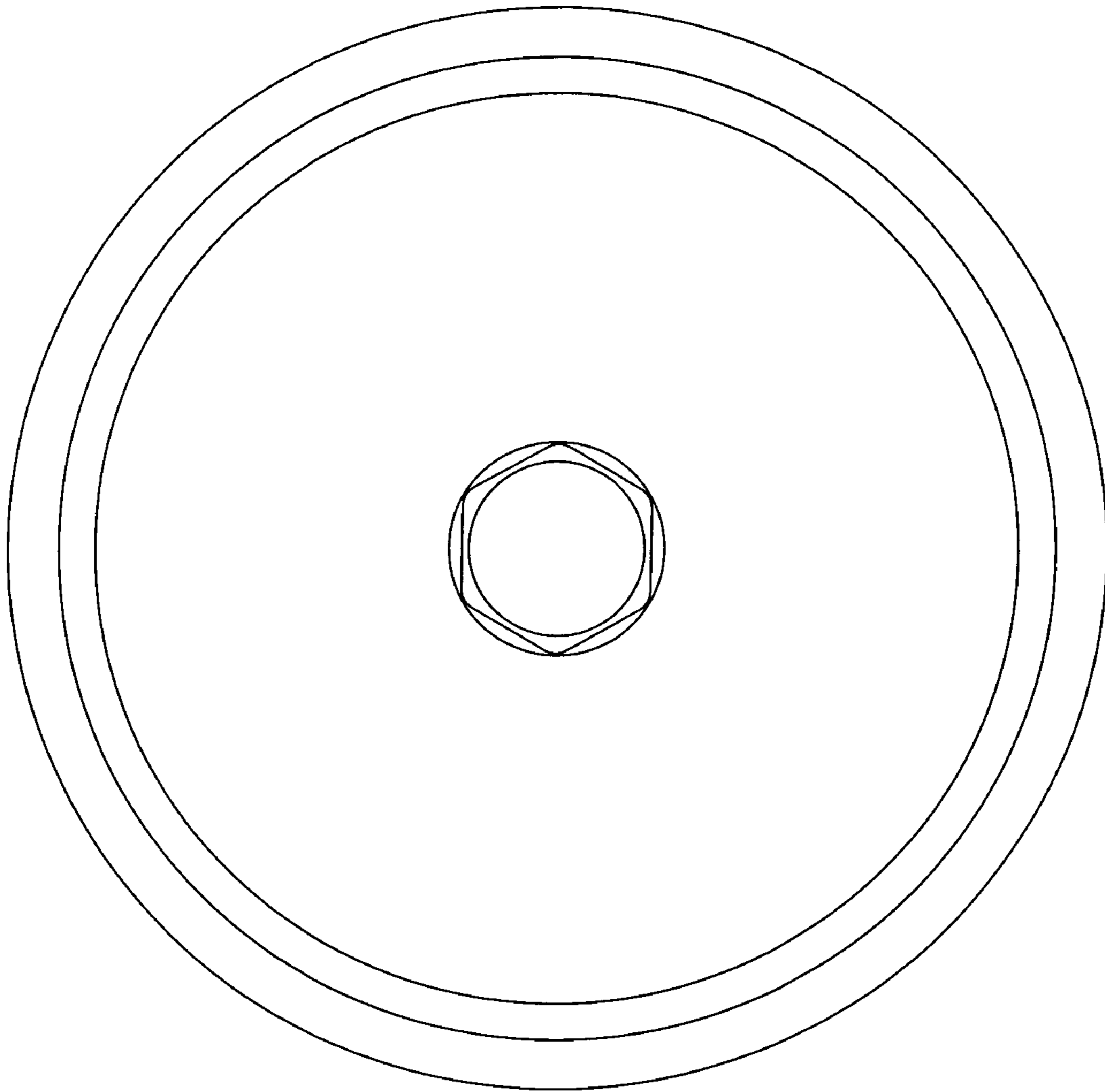


FIGURE 5

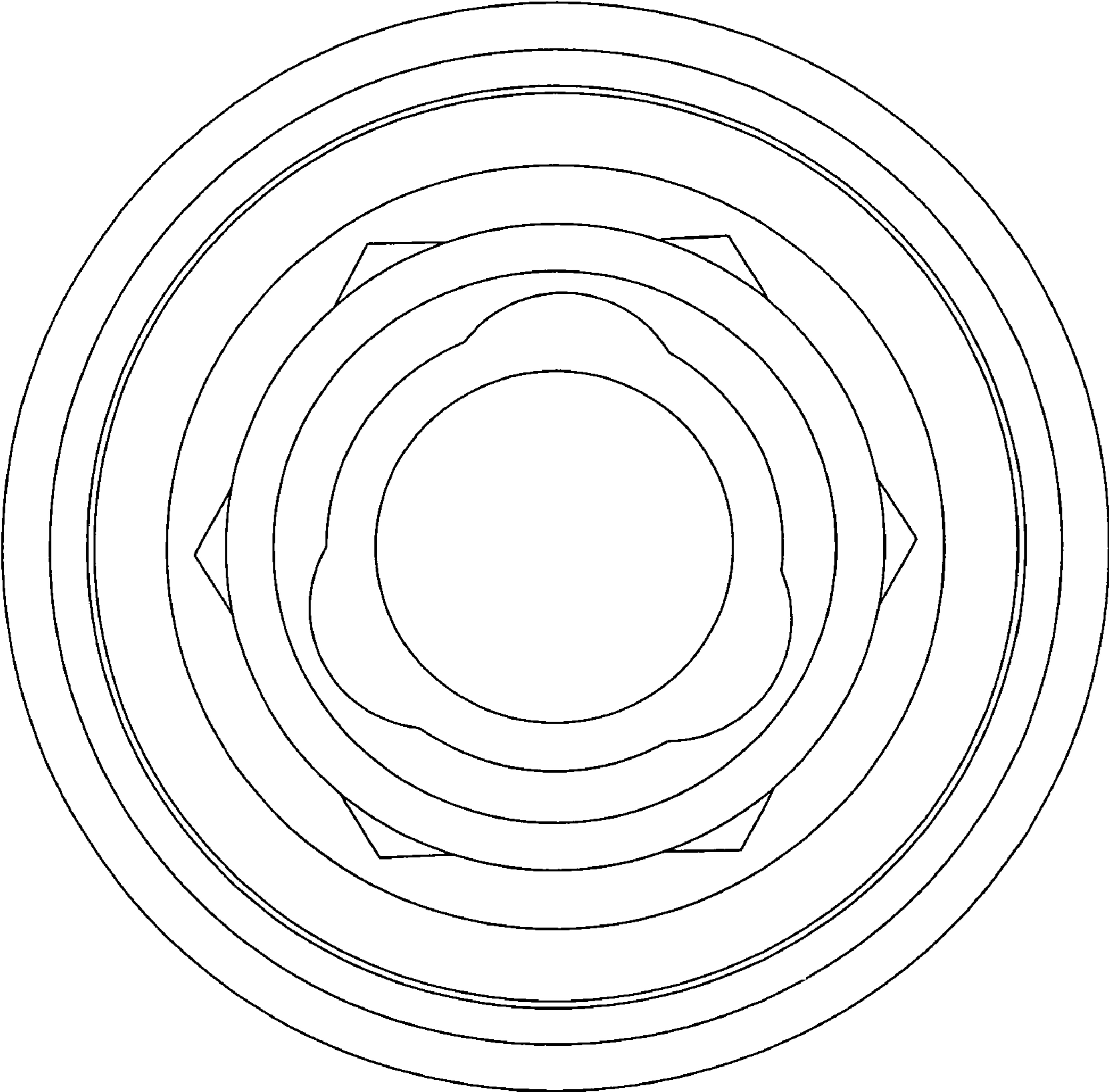


FIGURE 6