



US00D596002S

(12) **United States Design Patent**
Bunker

(10) **Patent No.:** **US D596,002 S**

(45) **Date of Patent:** **** Jul. 14, 2009**

(54) **WRENCH**

(76) Inventor: **Donald D. Bunker**, 1131 Via Callejon,
San Clemente, CA (US) 92673

(**) Term: **14 Years**

(21) Appl. No.: **29/326,616**

(22) Filed: **Oct. 21, 2008**

(51) **LOC (9) Cl.** **08-05**

(52) **U.S. Cl.** **D8/28**

(58) **Field of Classification Search** D8/21-29,
D8/81-87, 102-107, 98, 99, 55, 93, 94; 81/60-63.2,
81/177.1, 177.85, 177.8, 489, 125.1, 121.1,
81/119-120, 176.1, 186, 177.9, 185.1, 176.2,
81/165, 170, 3.35, 58, 3.345, 155; 206/378;
16/429, 441, 124.6; 7/100, 138, 168, 157
See application file for complete search history.

(56) **References Cited**

U.S. PATENT DOCUMENTS

- 463,137 A * 11/1891 Carpenter 81/125.1
- D135,158 S * 3/1943 Miller D8/27
- D344,437 S * 2/1994 Cleland et al. D8/21
- D431,982 S * 10/2000 Nyberg D8/21
- D519,342 S * 4/2006 Hartman et al. D8/28

- D541,120 S * 4/2007 Chaconas D8/28
- D542,141 S * 5/2007 Okin et al. D9/529
- D549,960 S * 9/2007 Gonzalez D3/246

* cited by examiner

Primary Examiner—Raphael Barkai

Assistant Examiner—Randall H Gholson

(74) *Attorney, Agent, or Firm*—Stetina Brunda Garred &
Brucker

(57) **CLAIM**

The ornamental design for a wrench, as shown and described.

DESCRIPTION

FIG. 1 is an upper perspective view of the wrench of the present invention showing my new design;

FIG. 2 is a top plan view thereof;

FIG. 3 is a side elevational view thereof;

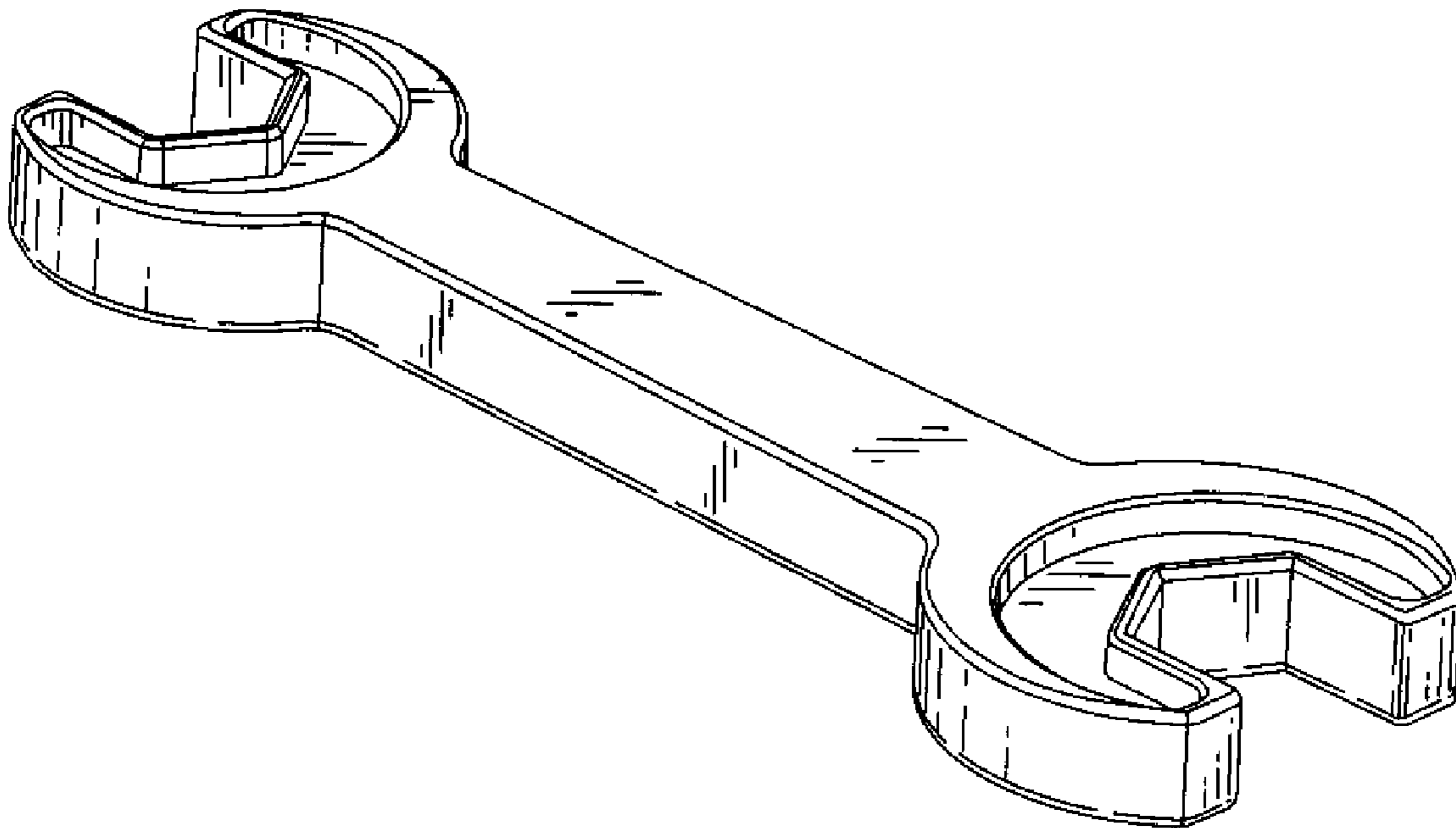
FIG. 4 is a bottom plan view thereof;

FIG. 5 is a left end view thereof;

FIG. 6 is a right end view thereof; and,

FIG. 7 is a cross sectional view taken about lines 7—7 of FIG. 2.

1 Claim, 1 Drawing Sheet



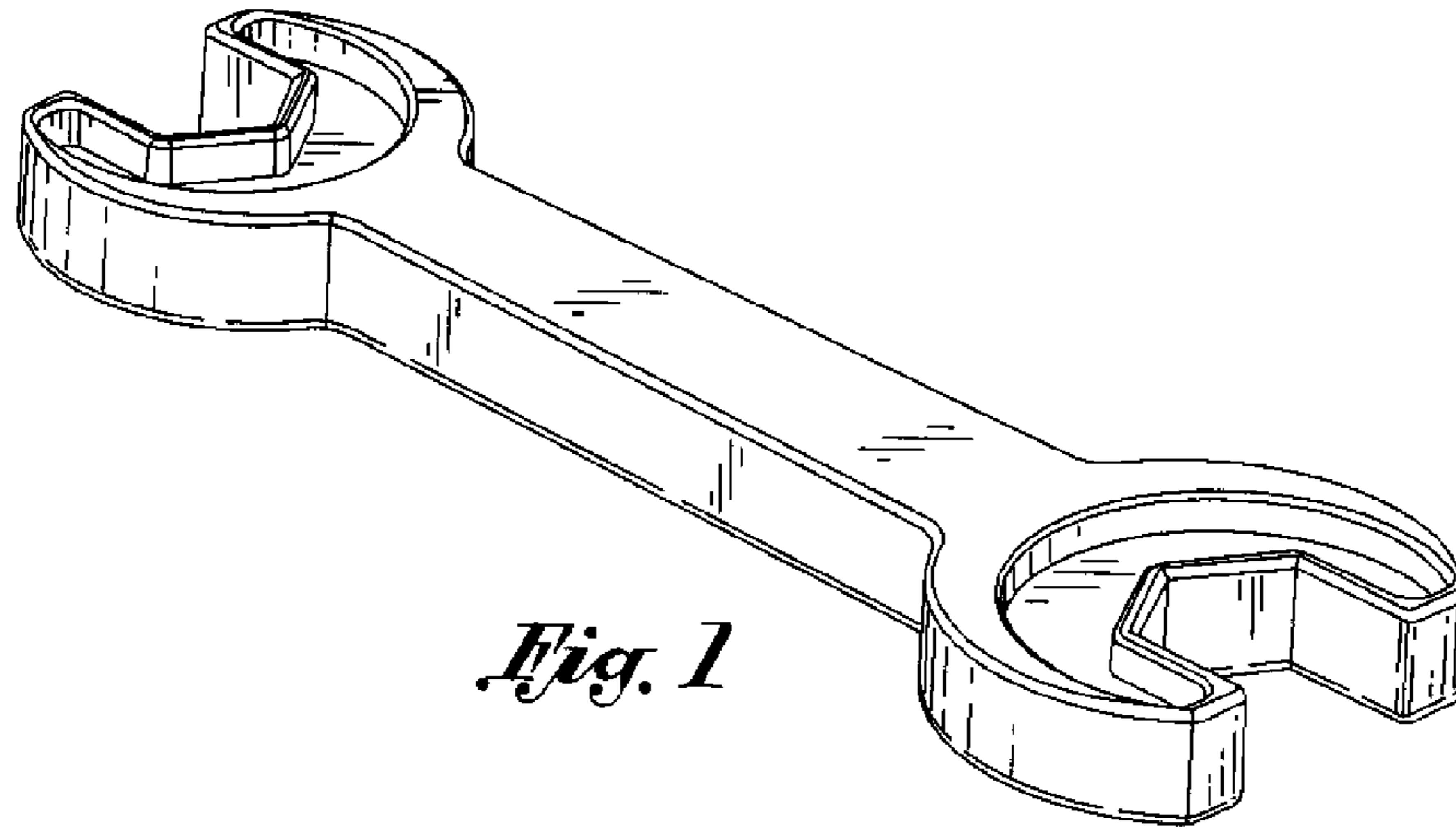


Fig. 1

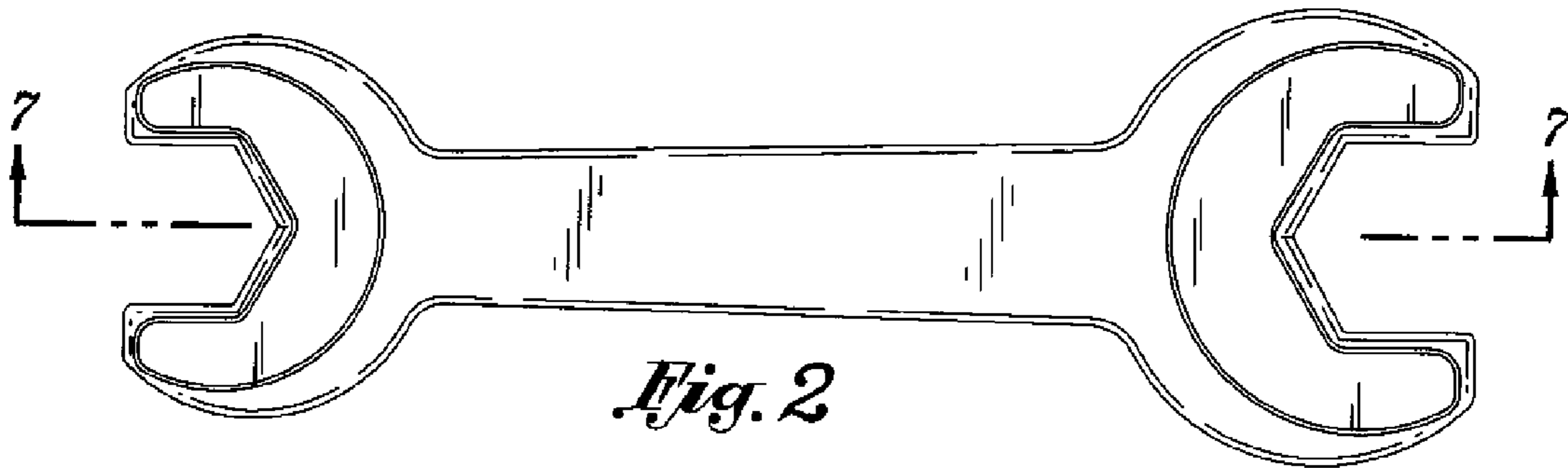


Fig. 2

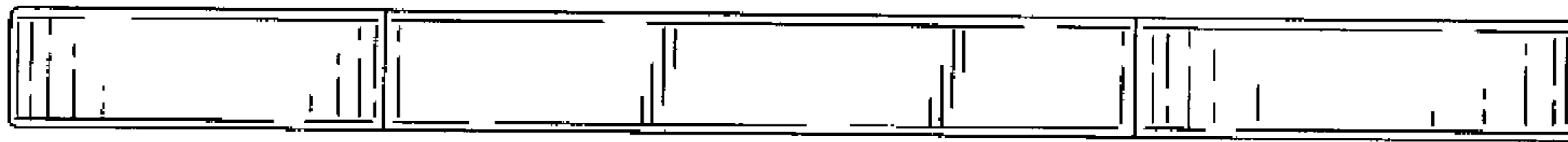


Fig. 3

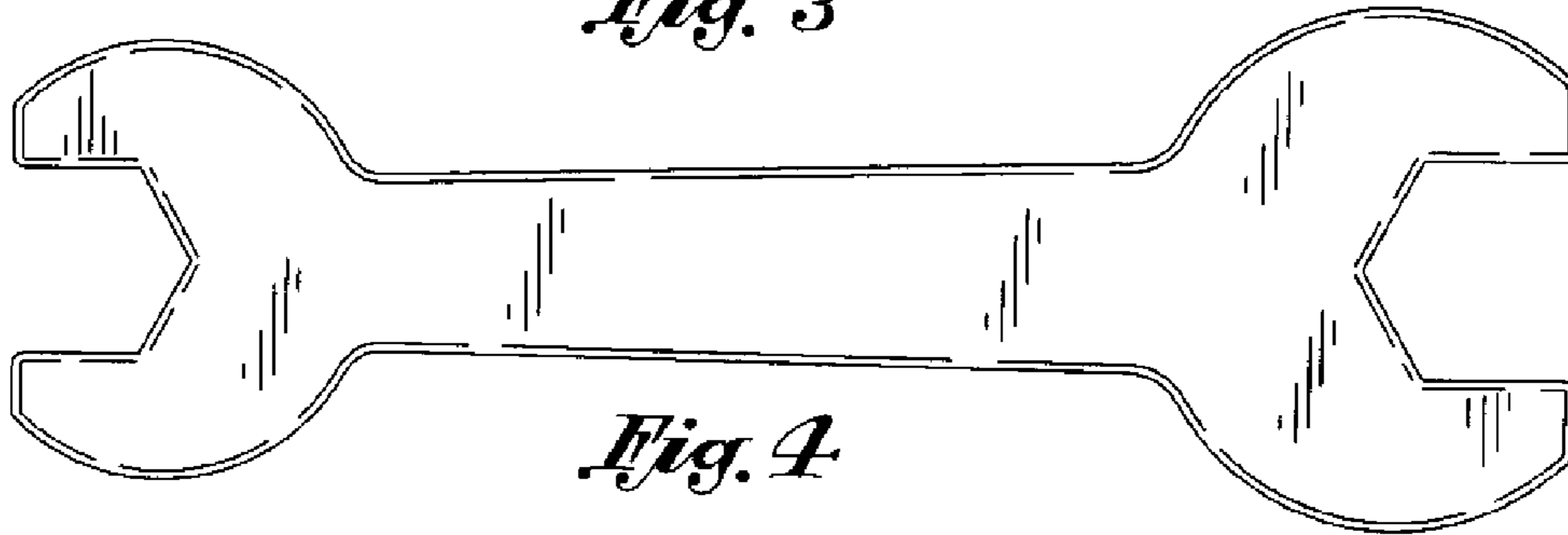


Fig. 4



Fig. 5

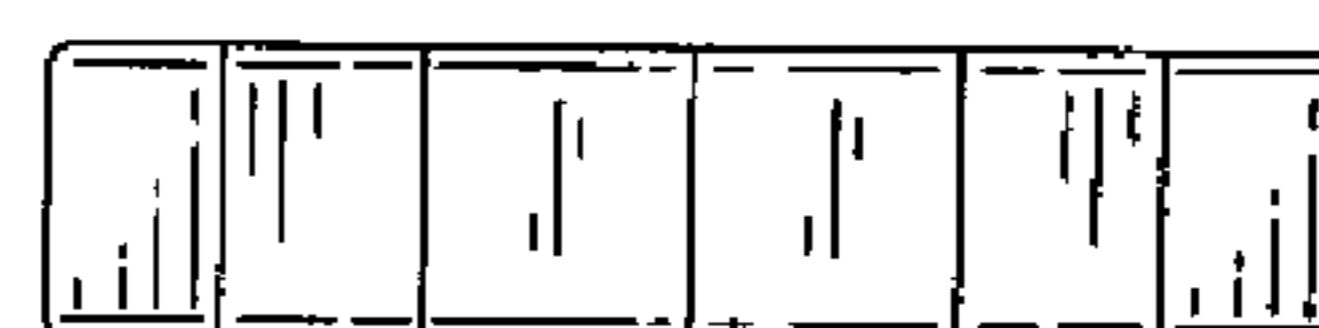


Fig. 6

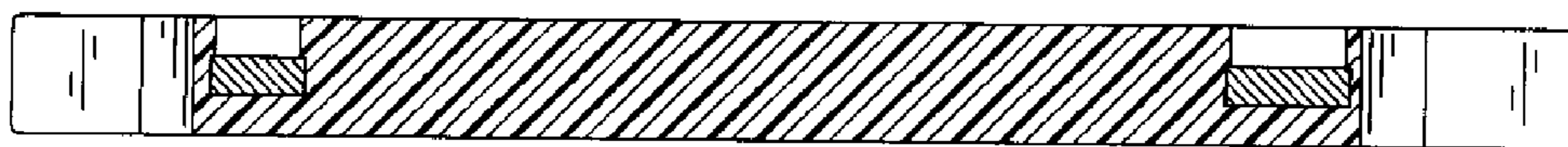


Fig. 7