



US00D596001S

(12) **United States Design Patent**  
**Stein**

(10) **Patent No.:** **US D596,001 S**  
(45) **Date of Patent:** **\*\* Jul. 14, 2009**

(54) **ASSEMBLY AND DISASSEMBLY TOOL FOR FAUCET STREAM FORMERS**

2,605,665 A \* 8/1952 Grenat ..... 81/124.4  
5,588,169 A \* 12/1996 Chuang ..... 7/138  
7,024,968 B2 \* 4/2006 Raudabough et al. .... 81/124.2  
D542,105 S \* 5/2007 Grether ..... D8/28

(75) Inventor: **Alexander Stein**, Ihringen (DE)

\* cited by examiner

(73) Assignee: **Neoperl GmbH**, Mullheim (DE)

*Primary Examiner*—Philip S Hyder

(\*\*) Term: **14 Years**

*Assistant Examiner*—Randall H Gholson

(21) Appl. No.: **29/323,460**

(74) *Attorney, Agent, or Firm*—Volpe and Koenig, P.C.

(22) Filed: **Aug. 26, 2008**

(57) **CLAIM**

(30) **Foreign Application Priority Data**

The ornamental design for an assembly and disassembly tool for faucet stream formers, as shown and described.

Feb. 26, 2008 (EM) ..... 000886320

**DESCRIPTION**

(51) **LOC (9) Cl.** ..... **08-05**

FIG. 1 is a top-plan view of the assembly and disassembly tool for faucet stream formers in accordance with the present invention;

(52) **U.S. Cl.** ..... **D8/28**

FIG. 2 is a right side view thereof;

(58) **Field of Classification Search** ..... D8/21–29;  
81/60, 177.1, 177.85, 121.1, 124.3, 165–170,  
81/110.1, 176.2, 124.6, 176.1, 176.15, 177.2;  
16/110.1; D15/144.1; 219/75, 227, 229,  
219/121.16, 121.18

FIG. 3 is a left side view thereof;

See application file for complete search history.

FIG. 4 is a rear view thereof;

FIG. 5 is a front view thereof;

(56) **References Cited**

**U.S. PATENT DOCUMENTS**

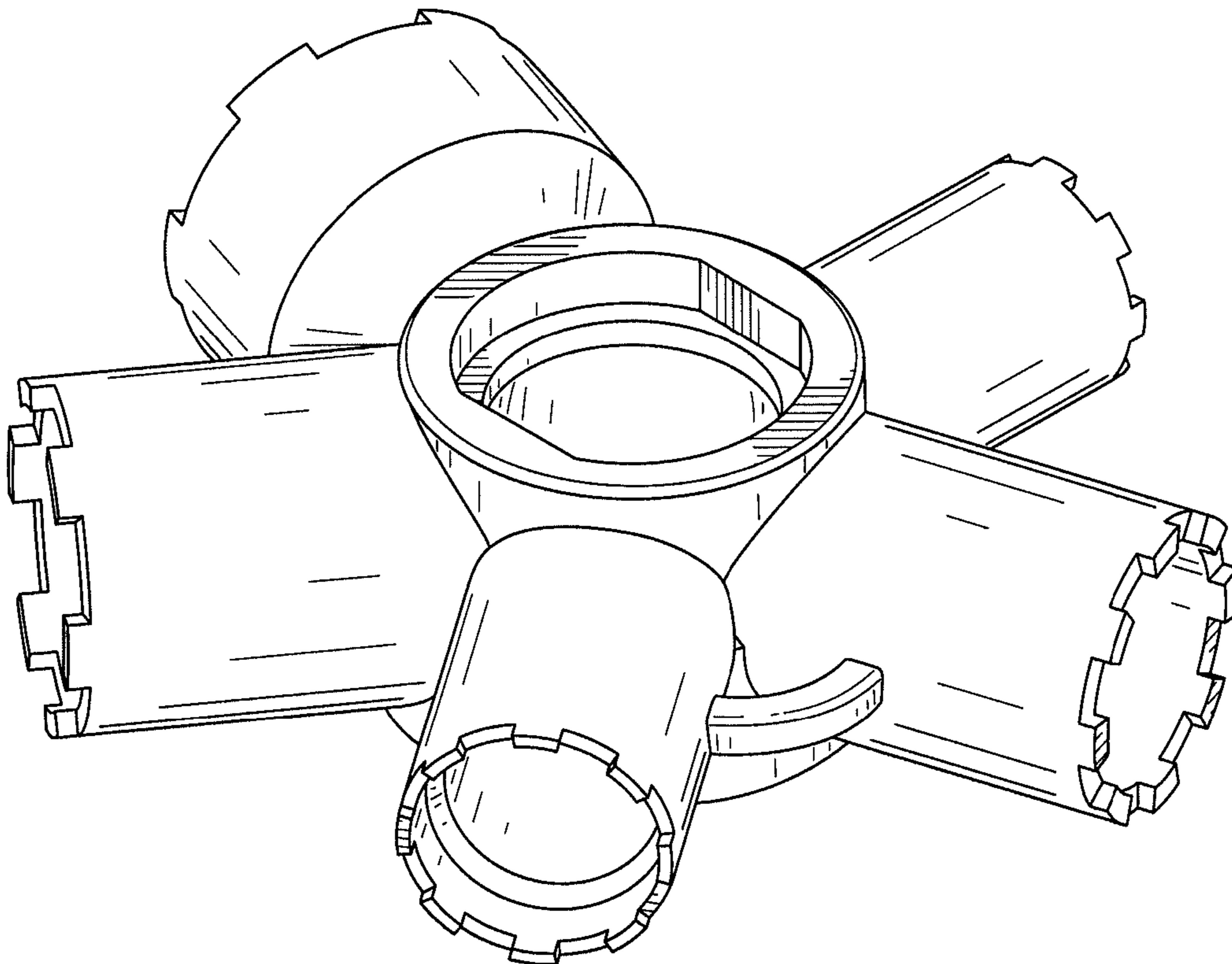
53,597 A \* 4/1866 Homsher ..... 366/329.1  
2,196,701 A \* 4/1940 Homsher ..... 408/227  
D138,790 S \* 9/1944 Czekalski ..... D8/26

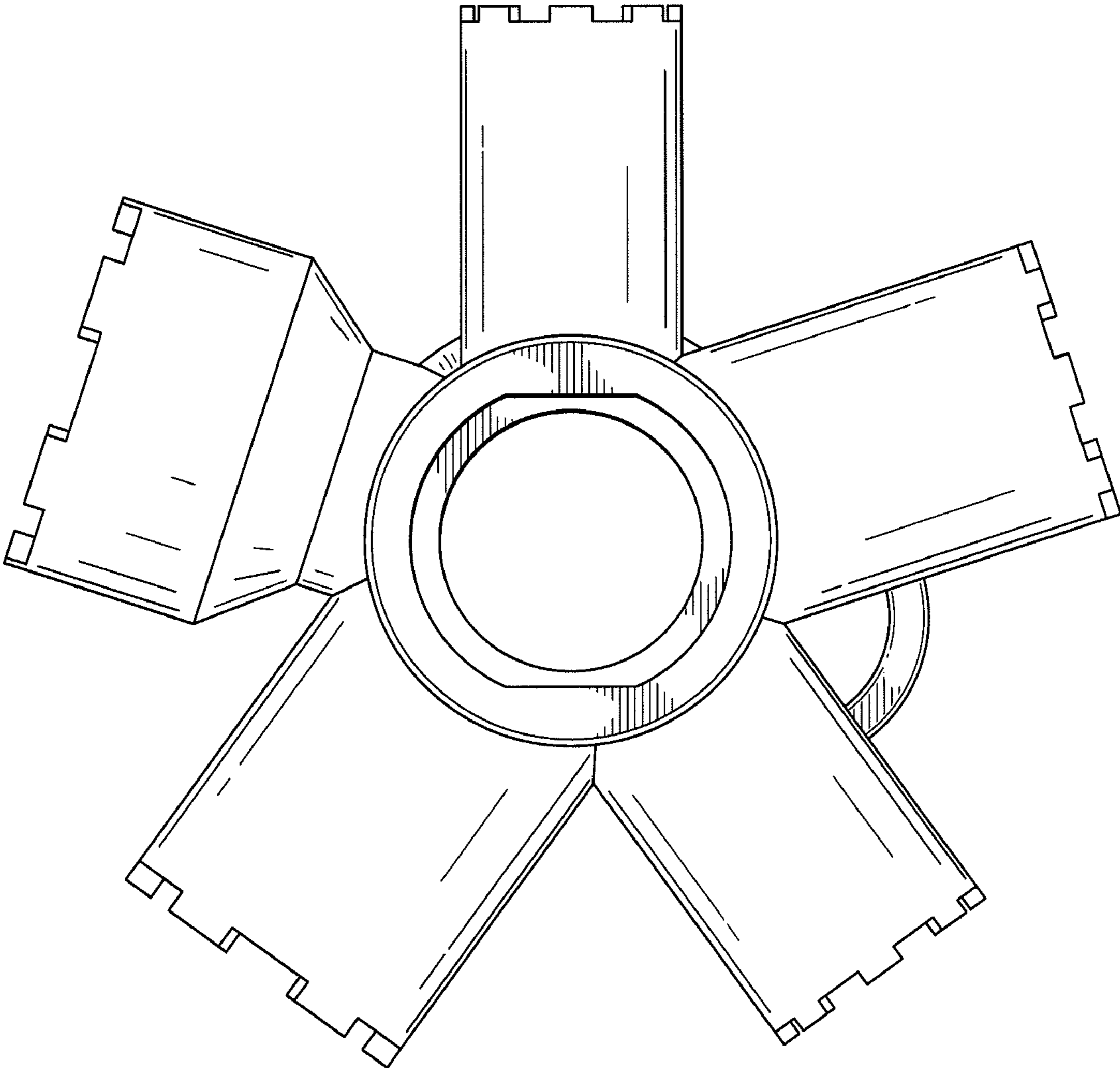
FIG. 6 is a bottom view thereof;

FIG. 7 is a top-right-front perspective view thereof; and,

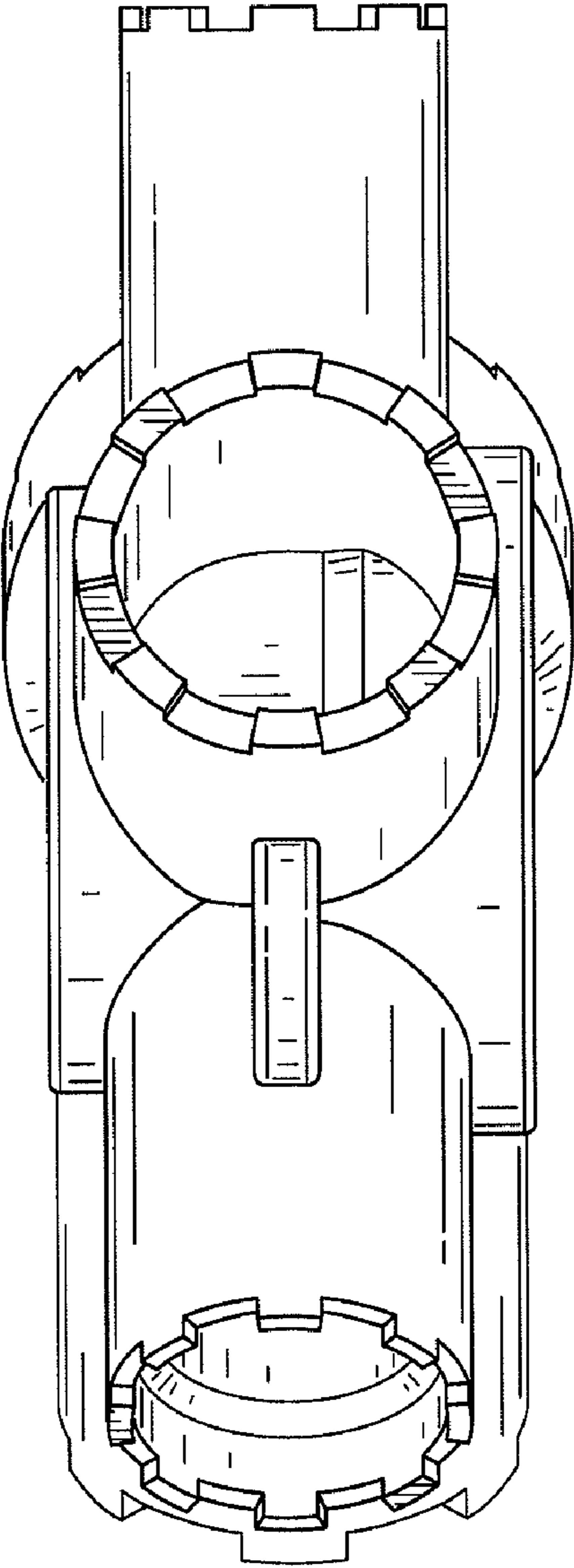
FIG. 8 is a bottom-right-front perspective view thereof.

**1 Claim, 6 Drawing Sheets**

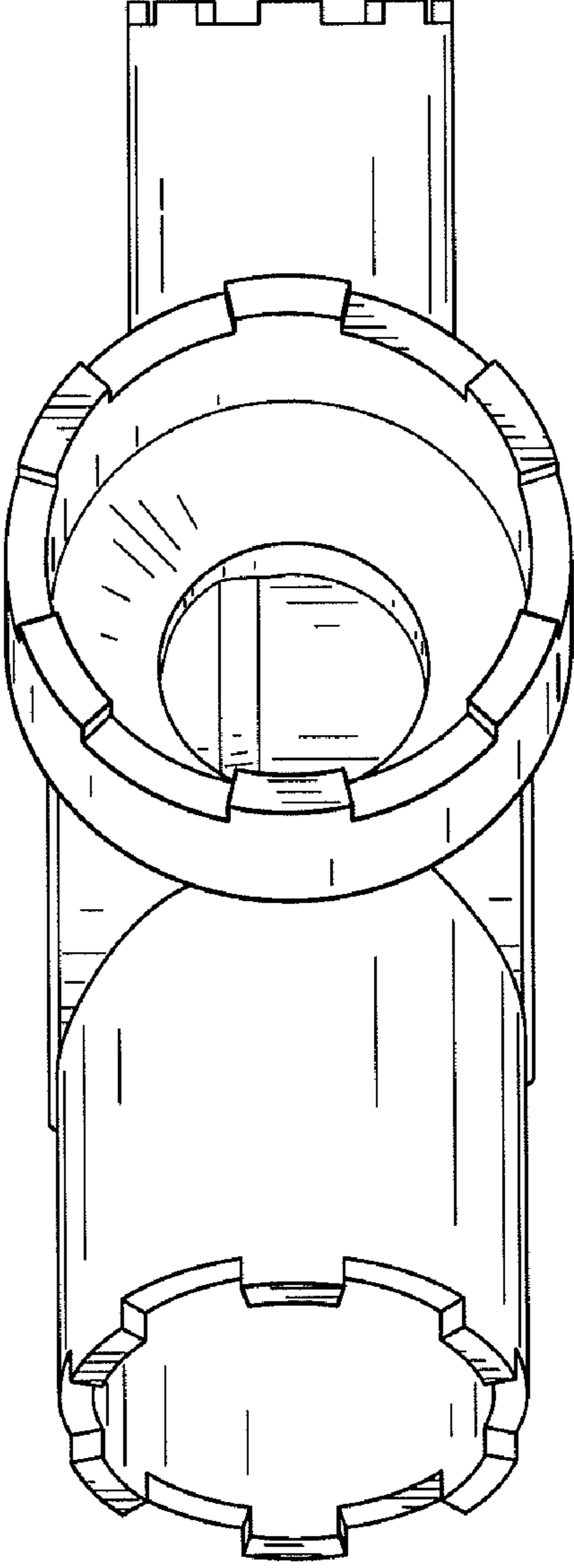




**FIG. 1**



**FIG. 2**



**FIG. 3**

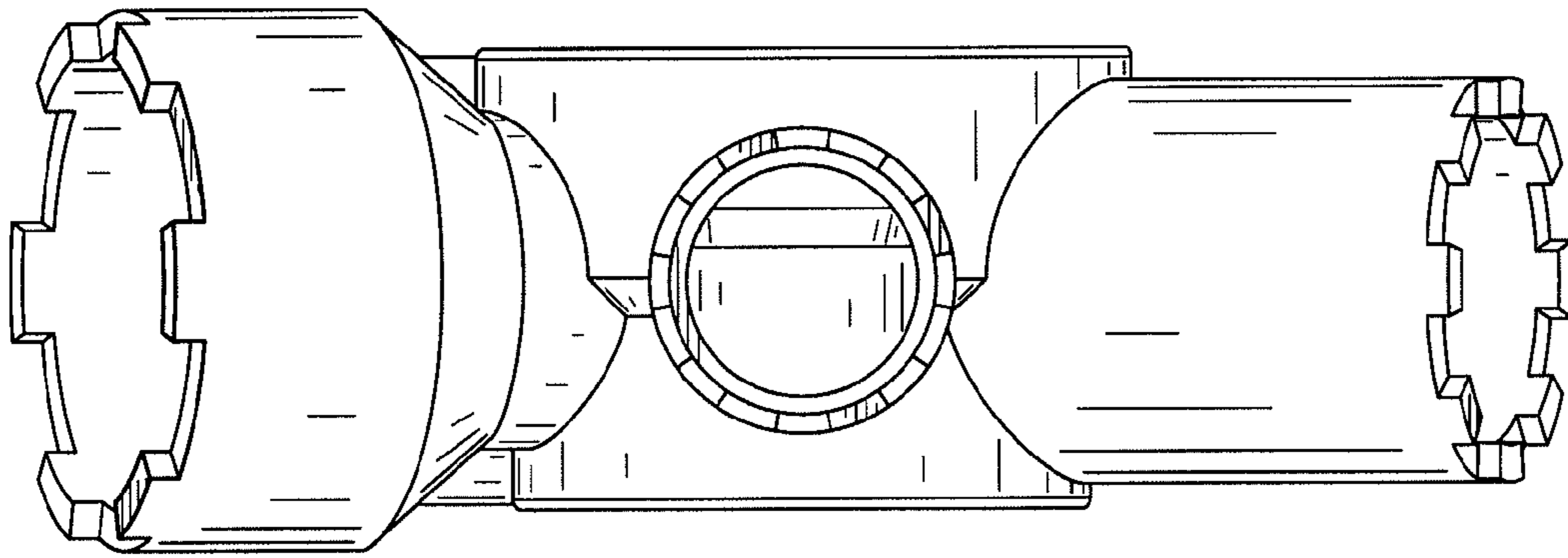


FIG. 4

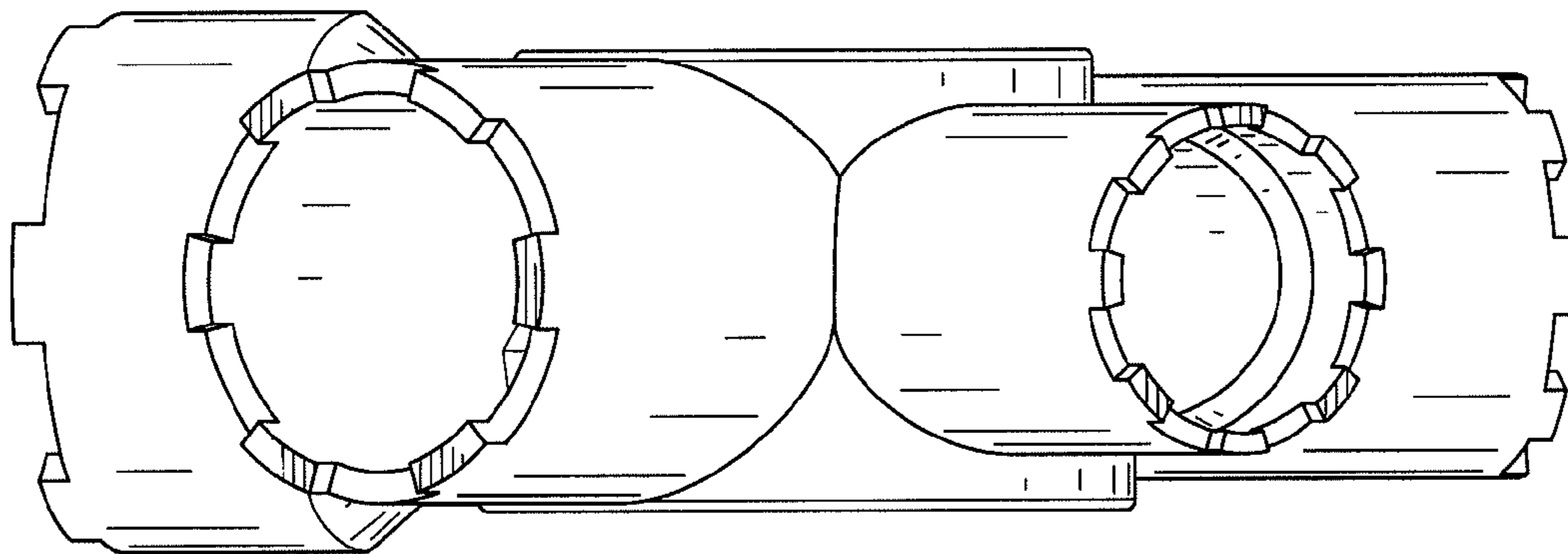


FIG. 5

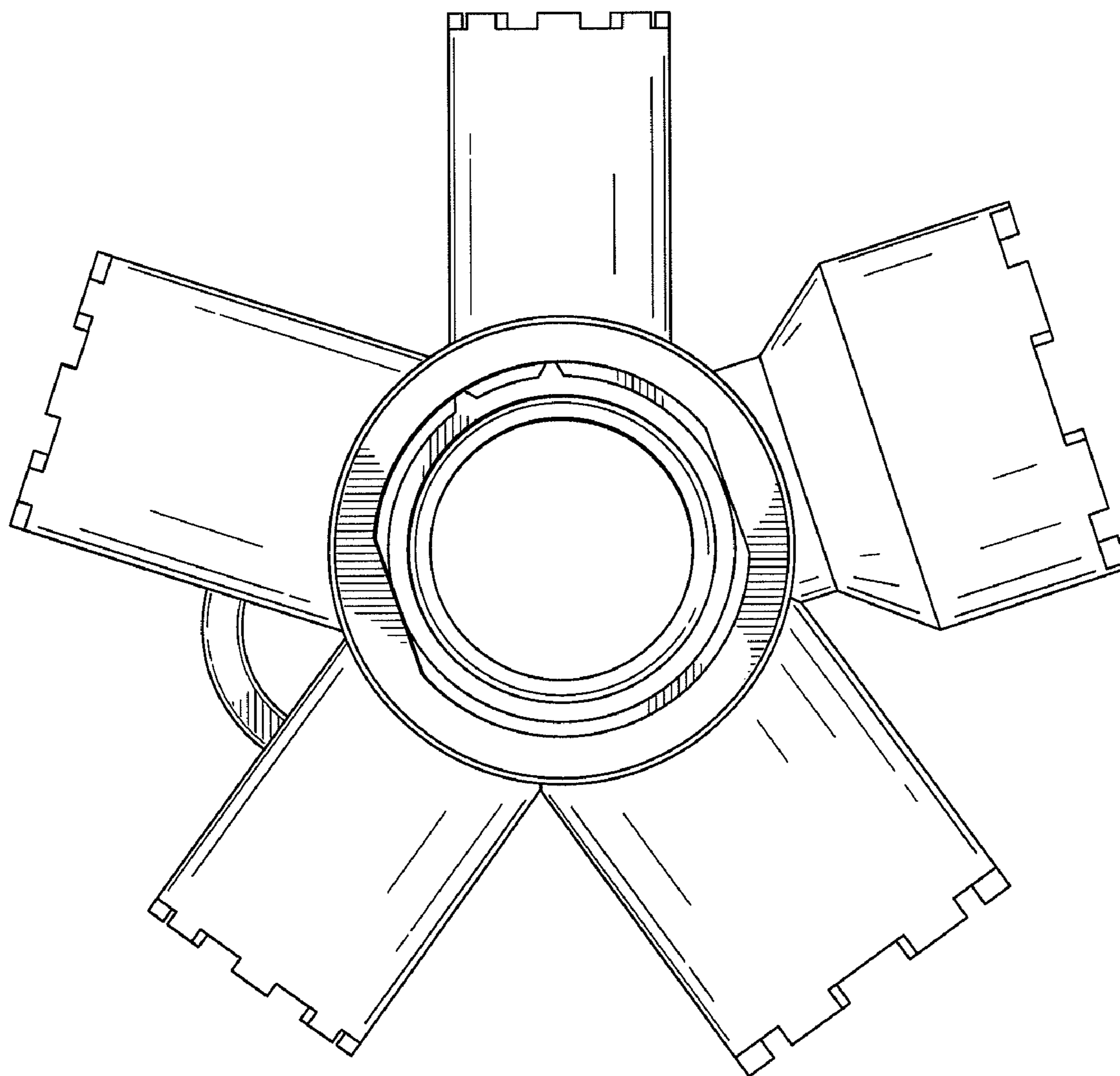
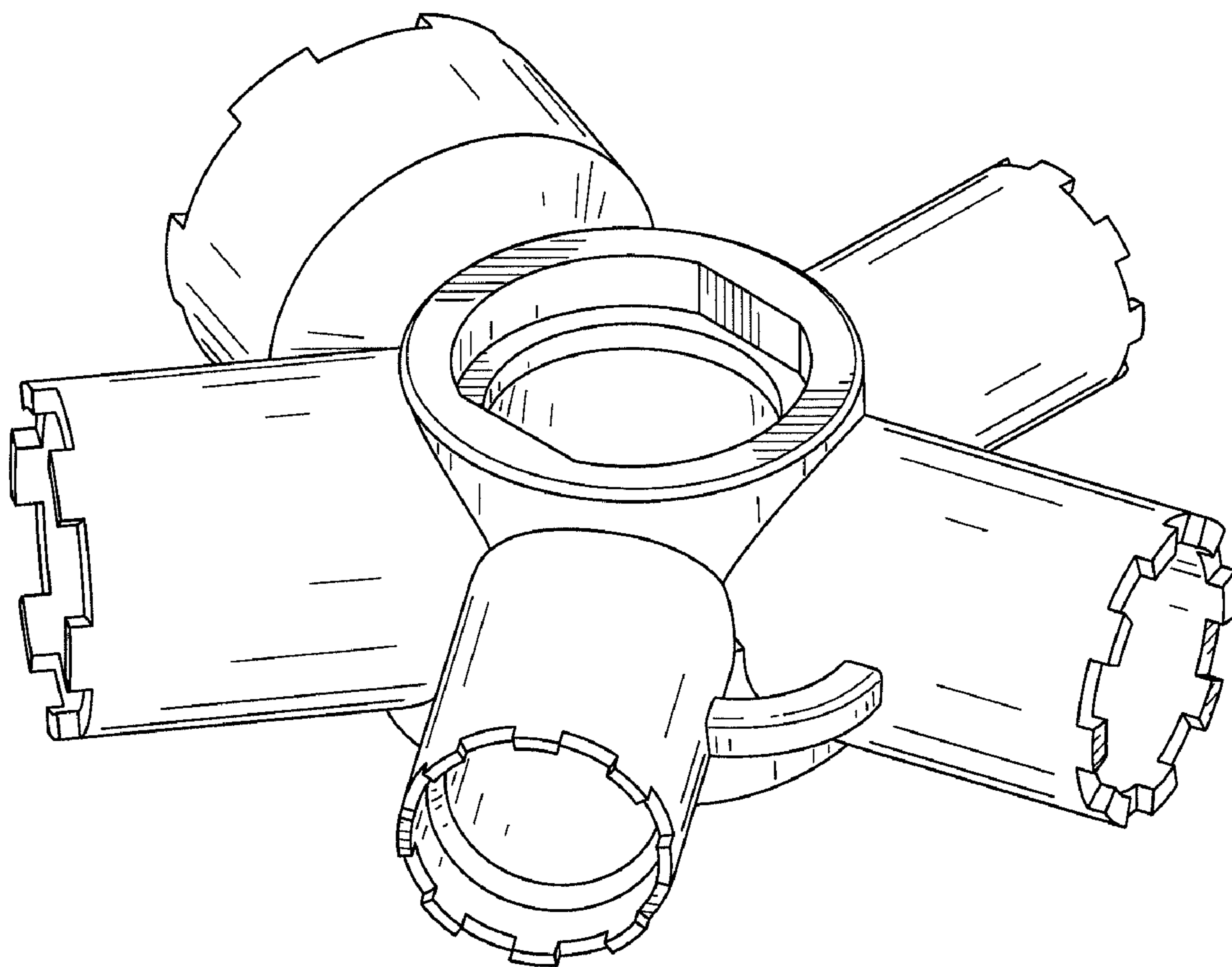


FIG. 6



**FIG. 7**

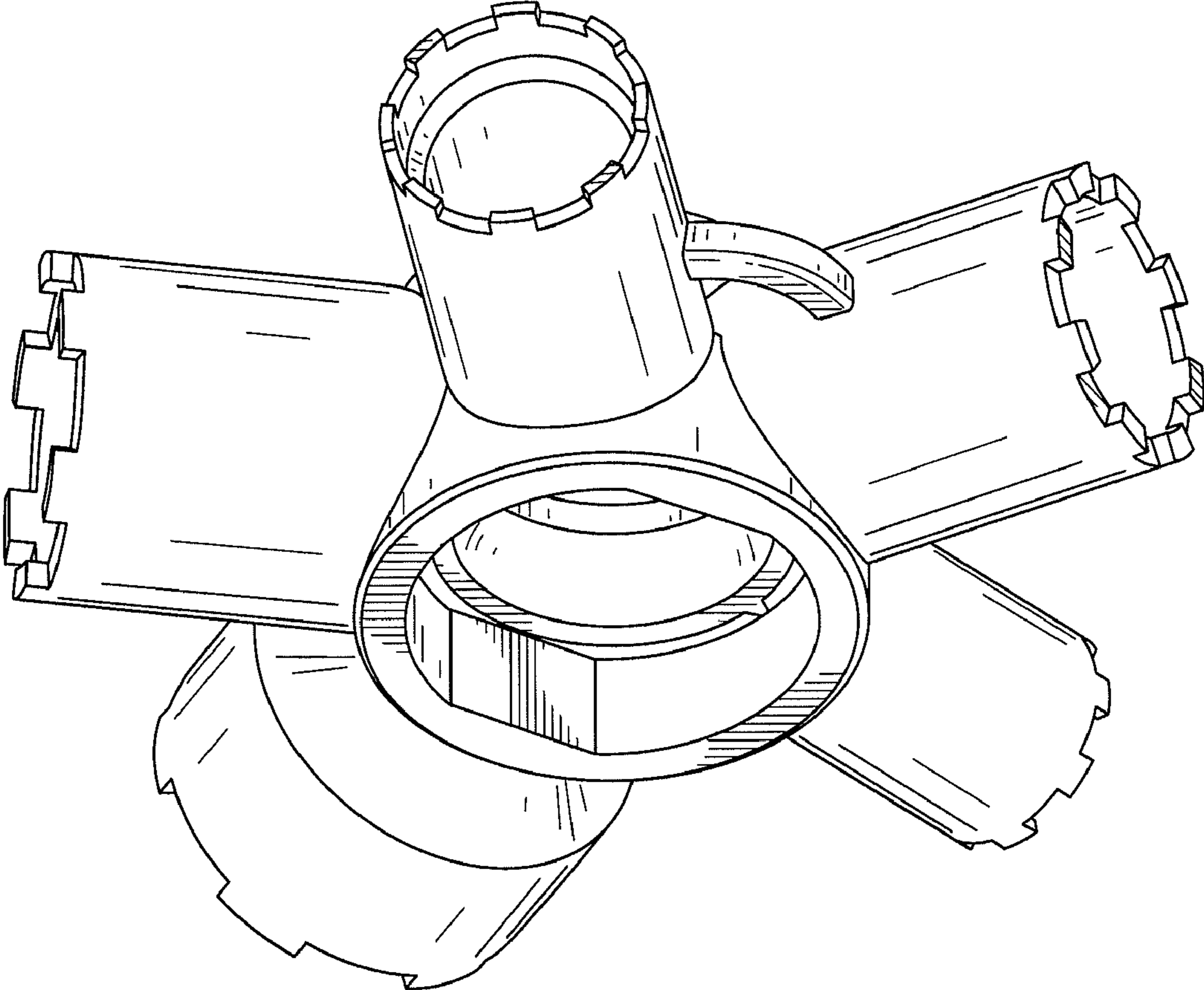


FIG. 8