



(12) **United States Design Patent**
Klingbeil

(10) **Patent No.:** **US D596,000 S**
(45) **Date of Patent:** **** Jul. 14, 2009**

(54) **HEDGE TRIMMER**

(75) Inventor: **Thomas Klingbeil**, Bottrop (DE)

(73) Assignee: **Ergobionik GmbH**, Bottrop (DE)

(**) Term: **14 Years**

(21) Appl. No.: **29/294,961**

(22) Filed: **Feb. 4, 2008**

(30) **Foreign Application Priority Data**

Sep. 11, 2007	(EM)	000795596-0001
Sep. 11, 2007	(EM)	000795596-0002
Sep. 11, 2007	(EM)	000795596-0003

(51) **LOC (9) Cl.** **08-01**

(52) **U.S. Cl.** **D8/8**

(58) **Field of Classification Search** D8/7,
D8/8, 9; 30/208, 276, 228, 382, 383, 216;
56/12.7, 233, 234, 235-237

See application file for complete search history.

(56) **References Cited**

U.S. PATENT DOCUMENTS

D307,098	S *	4/1990	Clivio	D8/8
5,261,162	A *	11/1993	Siegler	30/216
D347,772	S *	6/1994	Kiyooka et al.	D8/8
5,819,418	A *	10/1998	Uhl	30/296.1
6,112,419	A *	9/2000	Uhl et al.	30/383
6,324,764	B1 *	12/2001	Watkins	30/270
D463,229	S *	9/2002	Gabriel	D8/8
6,622,387	B2 *	9/2003	Uhl et al.	30/123.4

(Continued)

Primary Examiner—Holly H Baynham

Assistant Examiner—Sheryl Lane

(74) *Attorney, Agent, or Firm*—Andrew Wilford

(57) **CLAIM**

The ornamental design for a hedge trimmer, as shown and described.

DESCRIPTION

FIG. 1 is an elevational side view of a hedge trimmer according to the invention with its clipper head oriented at a right angle to its wand;

FIG. 2 is a view like FIG. 1 but with the clipper head aligned parallel to the wand;

FIG. 3 is a top view of the trimmer as seen from the right in FIG. 2;

FIG. 4 is a partial perspective view of only the wand of the FIG. 1 trimmer with the hand grip oriented parallel to the head mount;

FIG. 5 is a view like FIG. 4 with the hand grip oriented perpendicular to the head mount;

FIG. 6 is a view like FIG. 5 but with the hand grip turned 180°;

FIG. 7 is a partial perspective view from behind and above of only the clipper head of the trimmer of FIG. 1;

FIG. 8 is a partial perspective view from in front and above of the FIG. 1 clipper head;

FIG. 9 is a side view of the clipper head;

FIG. 10 is a top view of the clipper head;

FIG. 11 is a bottom view of the clipper head;

FIG. 12 is a large-scale front-end view of the clipper head;

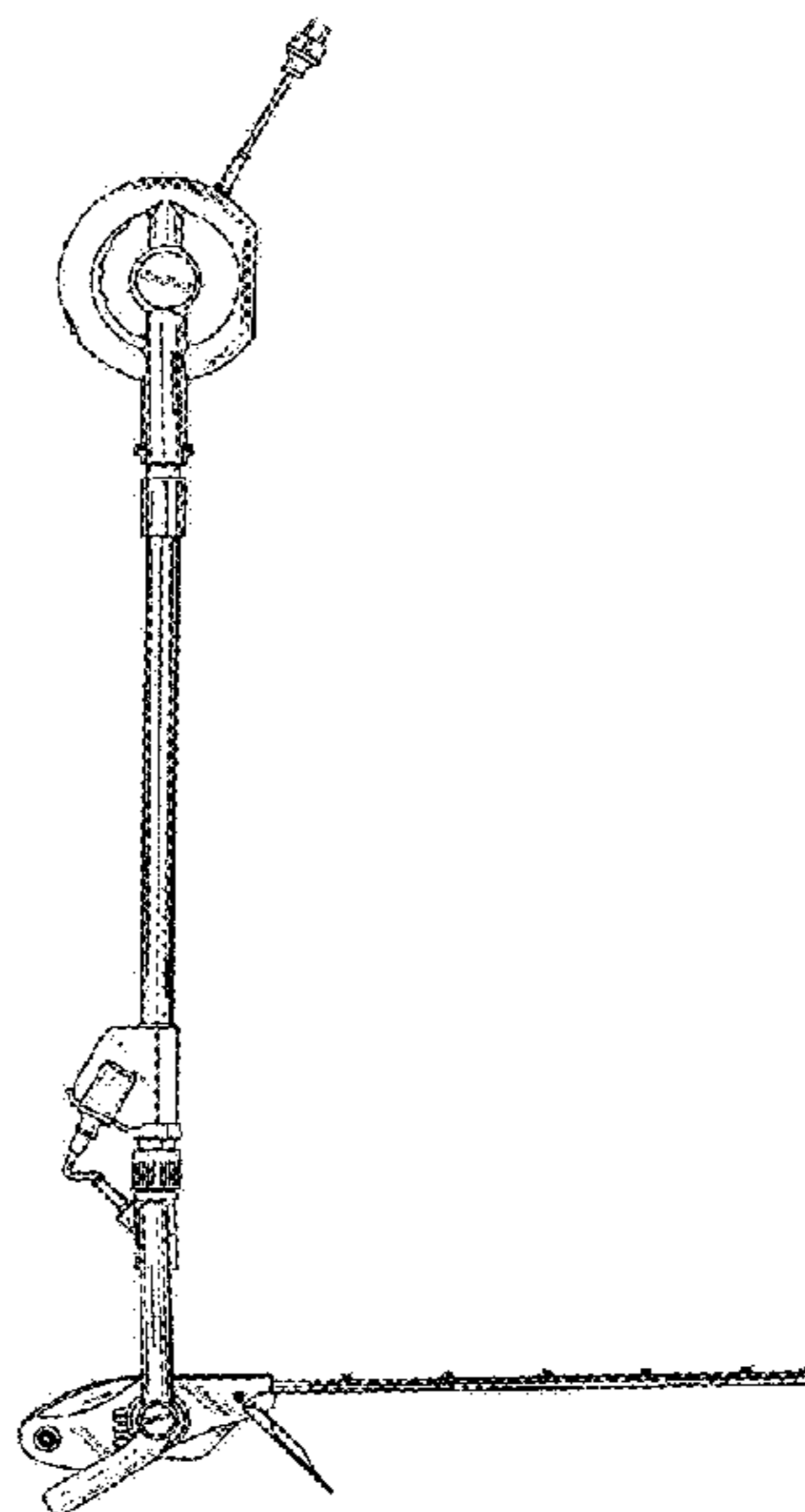
FIG. 13 is a large-scale rear-end view of the clipper head;

FIG. 14 is a perspective view of the hedge trimmer as in FIG. 2;

FIG. 15 is a view like FIG. 14, but with the clipper head and the wand separated; and,

FIG. 16 is a side view but with the clipper head at an angle of about 225° to the wand.

1 Claim, 16 Drawing Sheets



US D596,000 S

Page 2

U.S. PATENT DOCUMENTS

6,651,347 B2 *	11/2003	Uhl	30/383	7,152,328 B2 *	12/2006	Champlin	30/381
D482,943 S *	12/2003	Chunn et al.	D8/8	D536,585 S *	2/2007	Baskar et al.	D8/8
D505,602 S *	5/2005	Houghton	D8/8	D543,804 S *	6/2007	Houghton	D8/8
D505,844 S *	6/2005	Houghton	D8/8	D543,805 S *	6/2007	Houghton	D8/8
D506,653 S *	6/2005	Elsworthy	D8/8	D547,623 S *	7/2007	Mooney et al.	D8/8
D528,382 S *	9/2006	Baskar et al.	D8/8	D566,493 S *	4/2008	Wang	D8/8

* cited by examiner

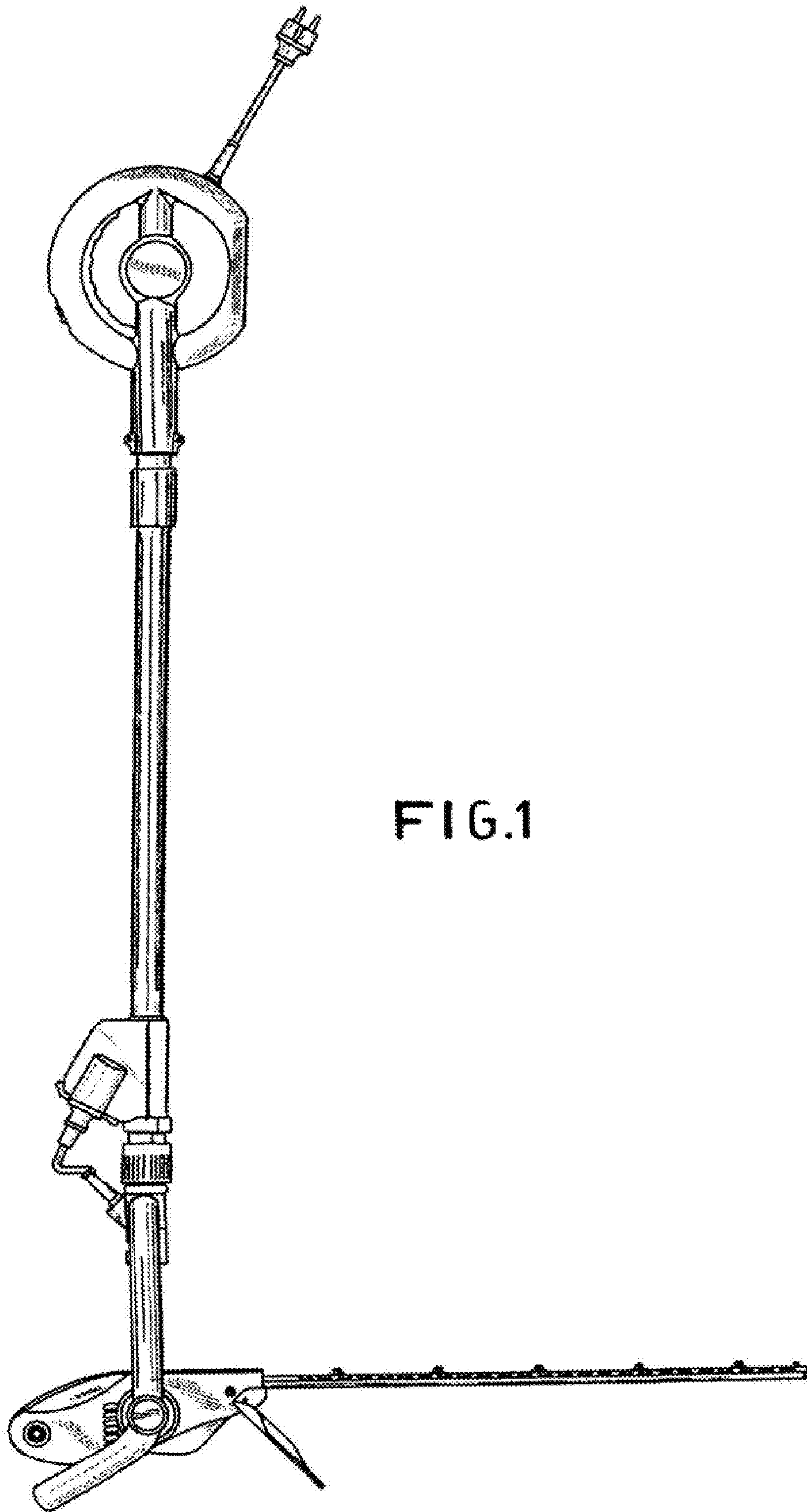


FIG.1

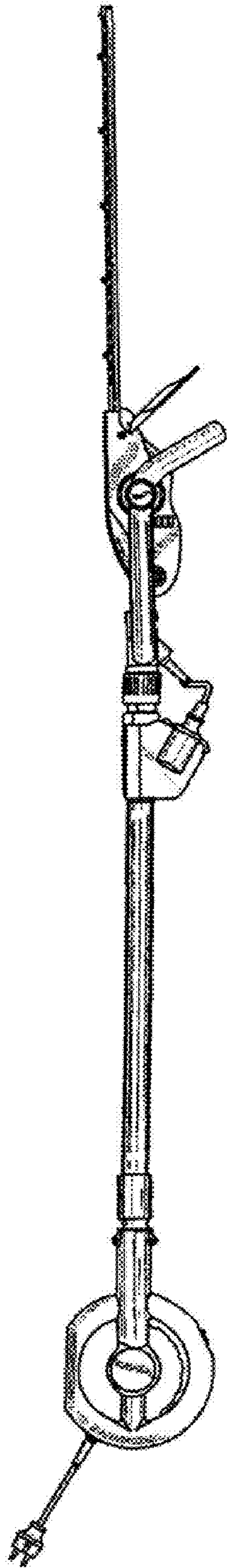


FIG. 2

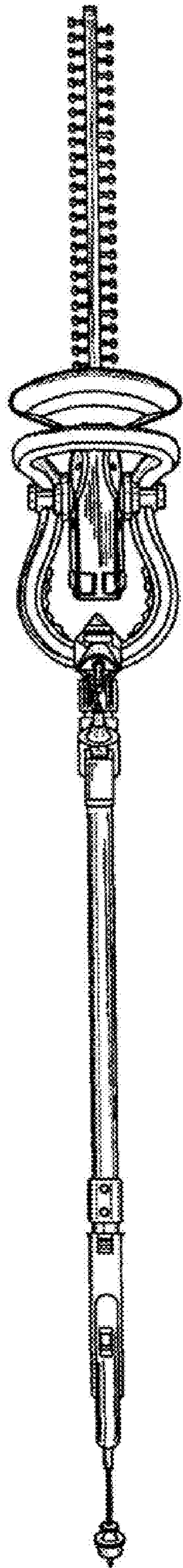


FIG. 3

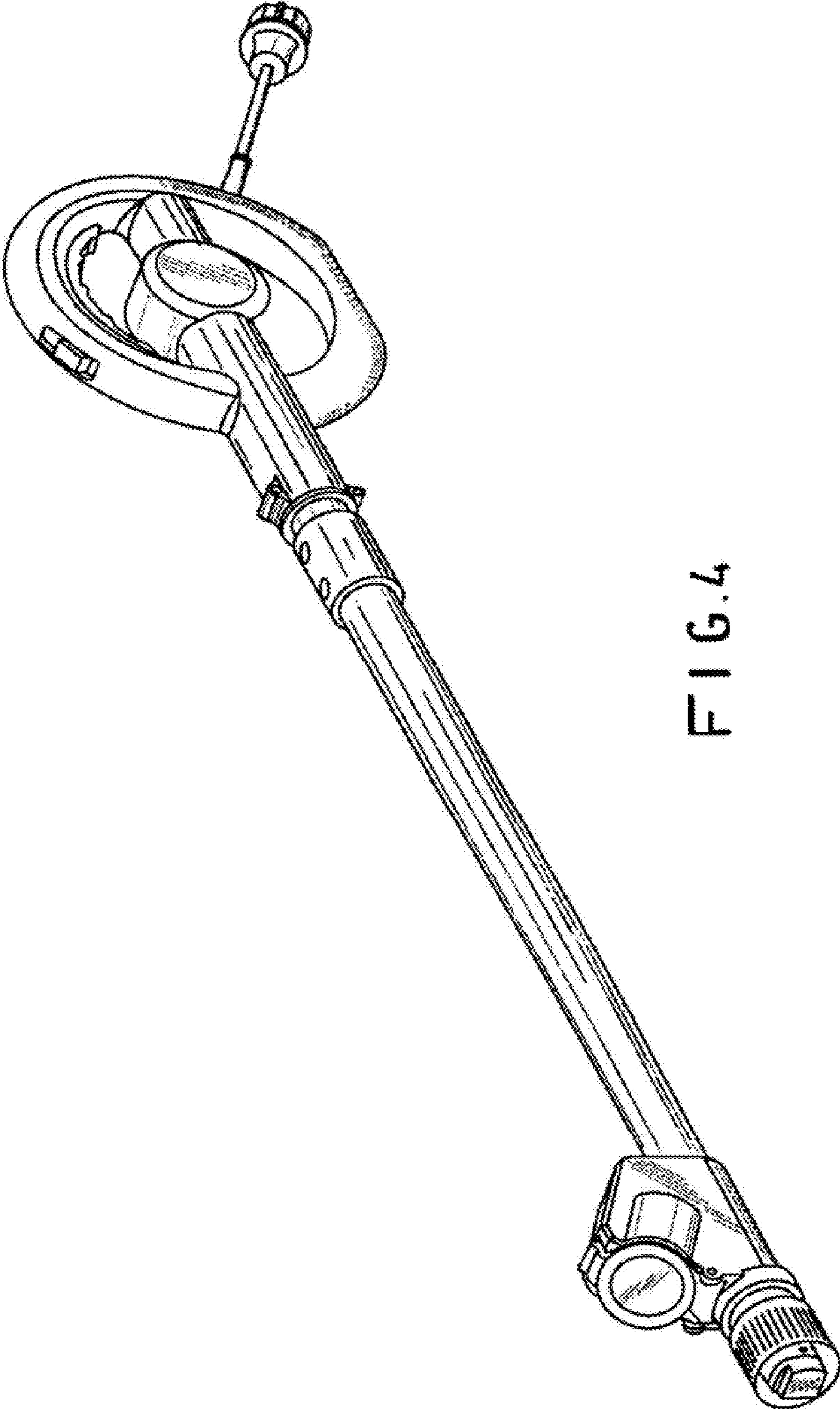


FIG. 4

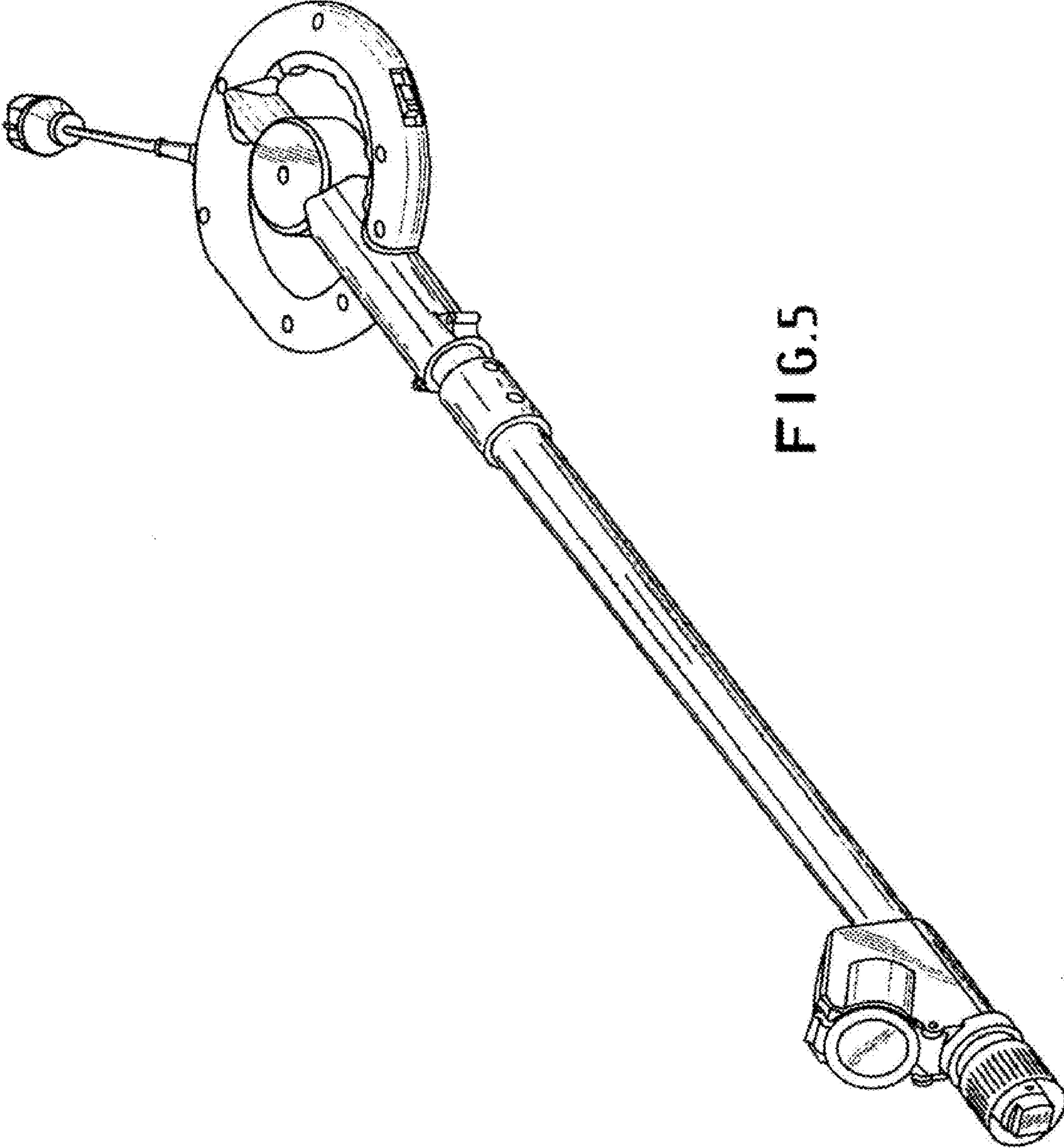


FIG. 5

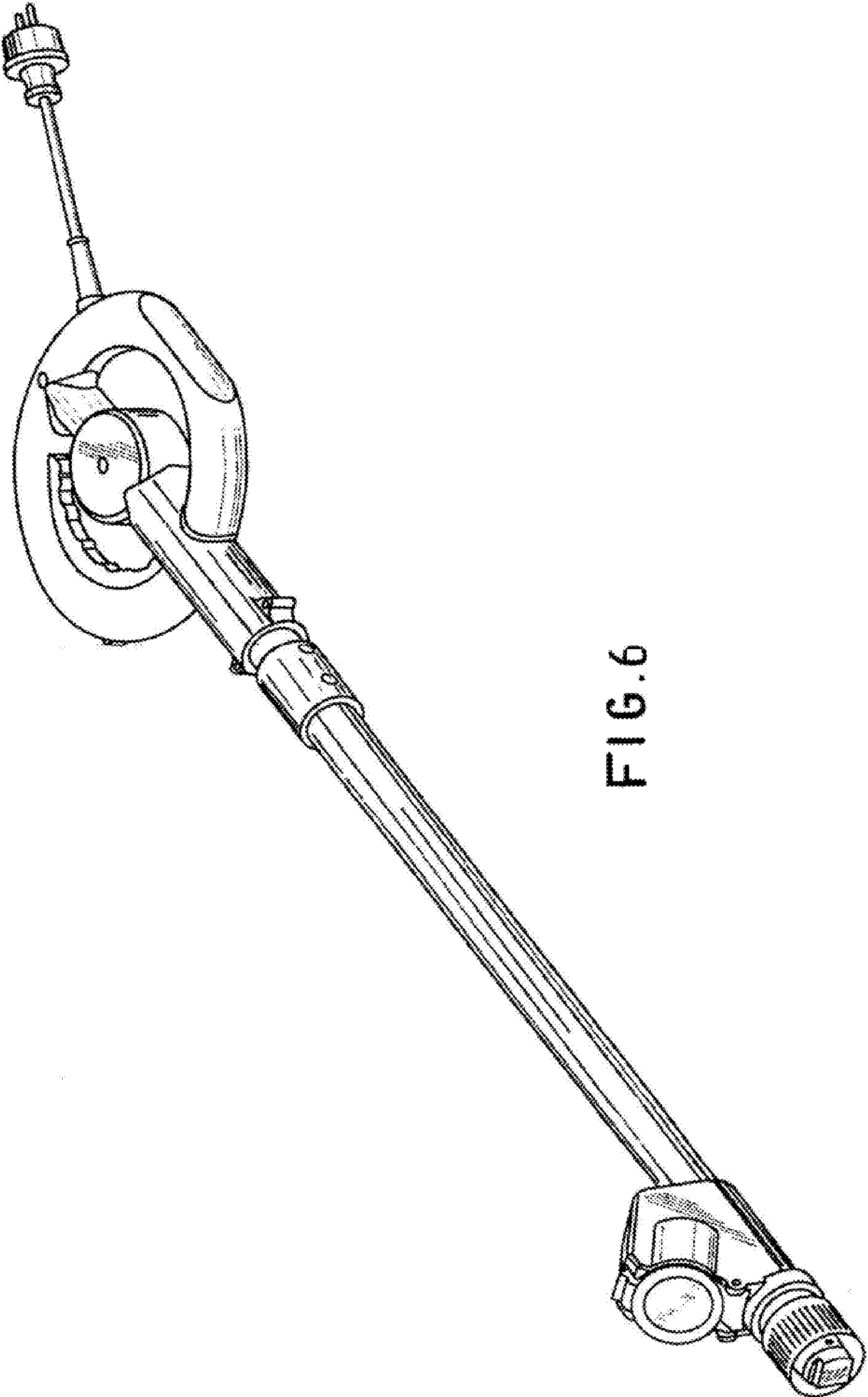


FIG. 6

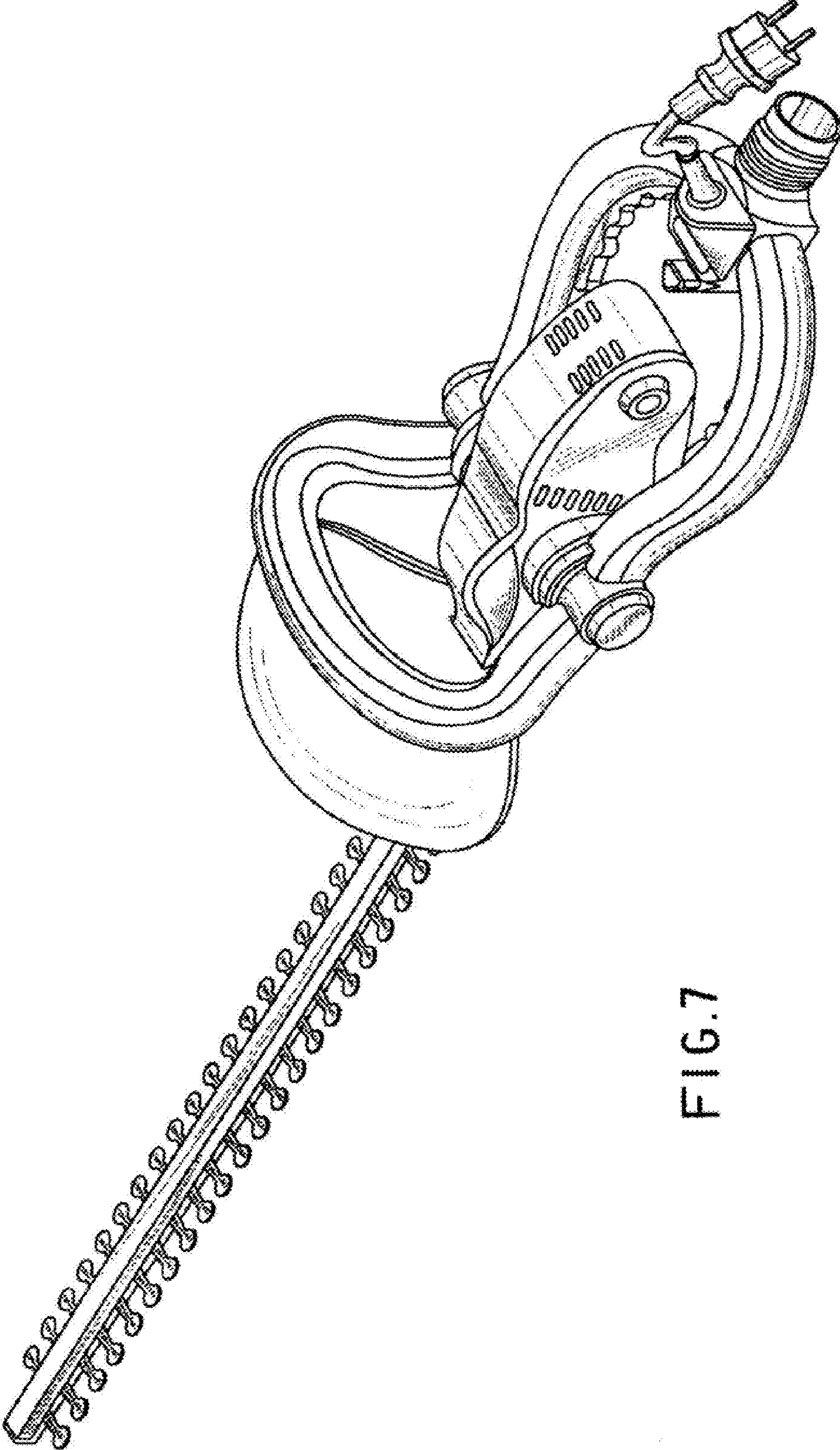


FIG. 7

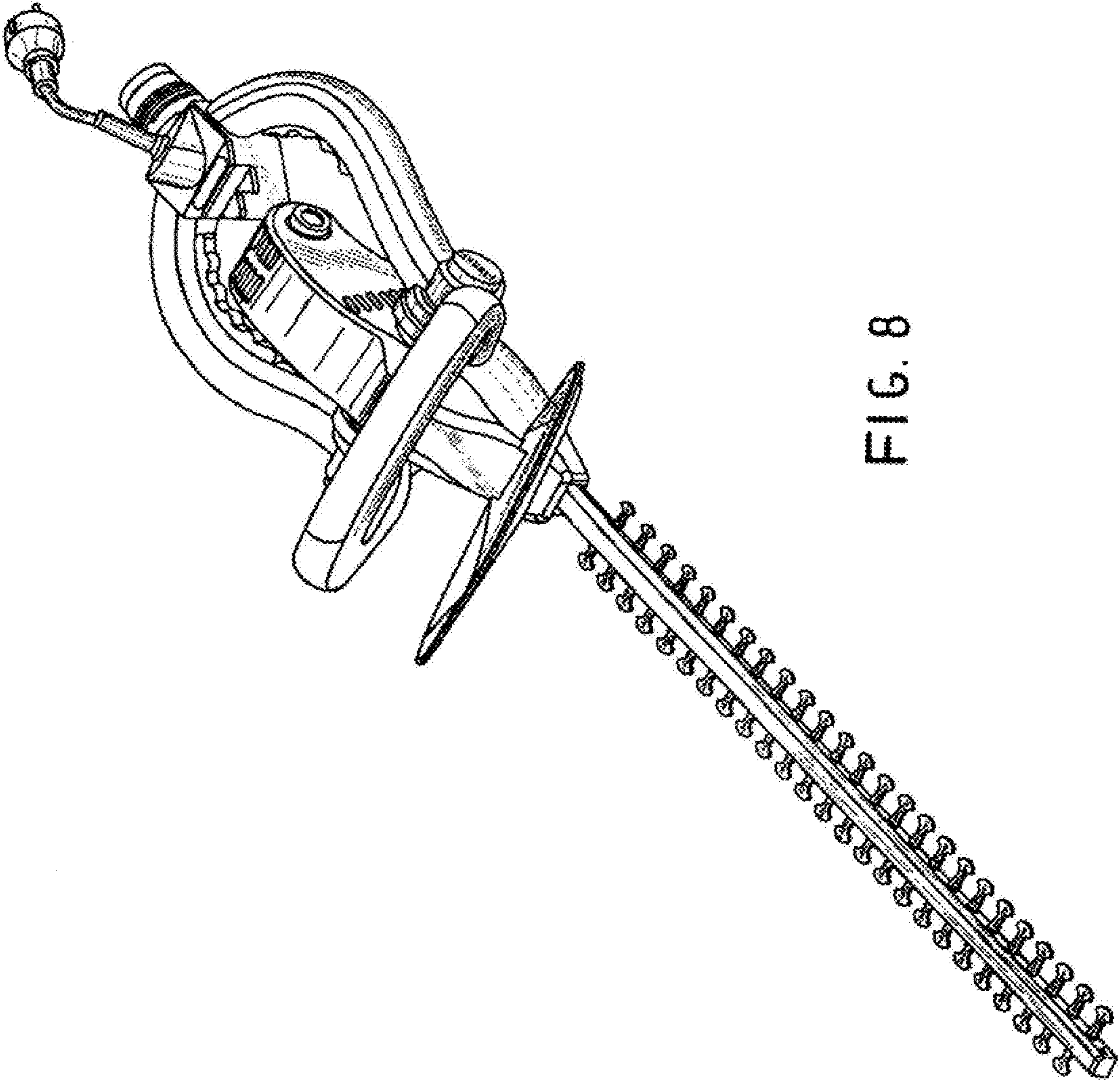


FIG. 8

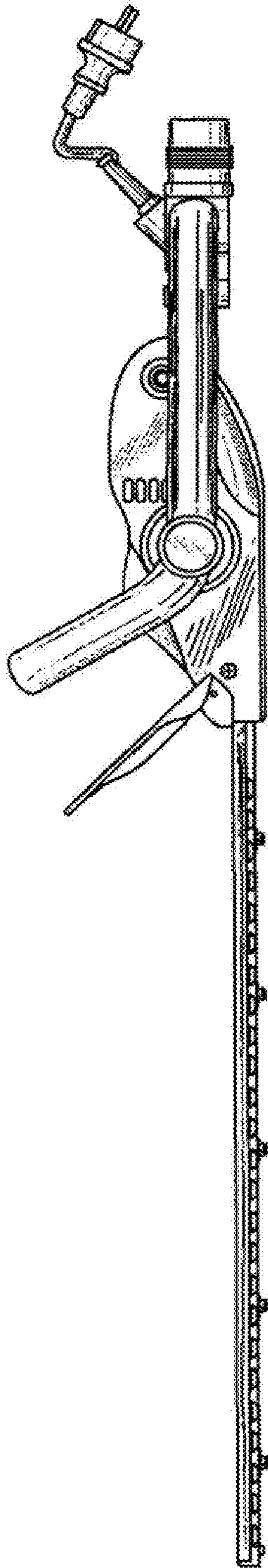


FIG. 9

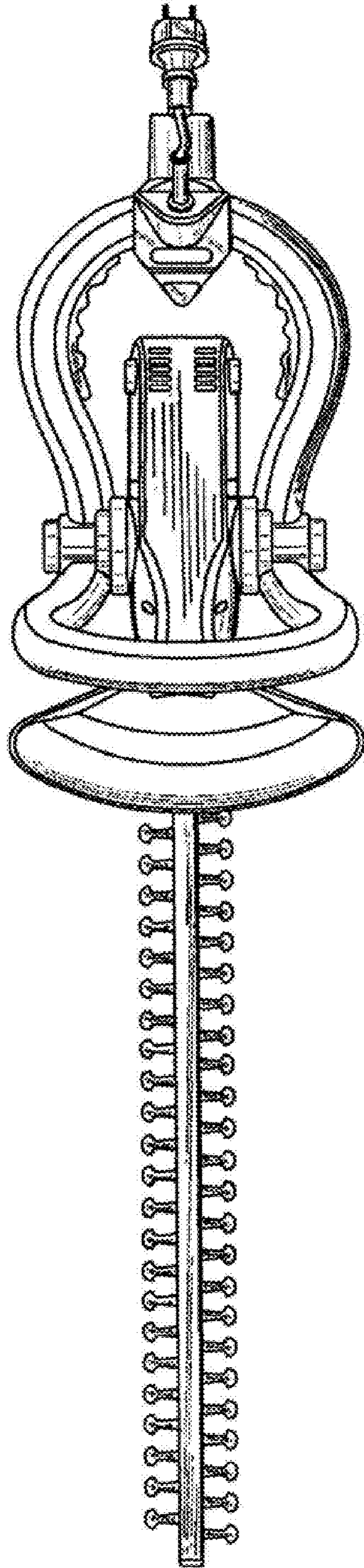


FIG.10

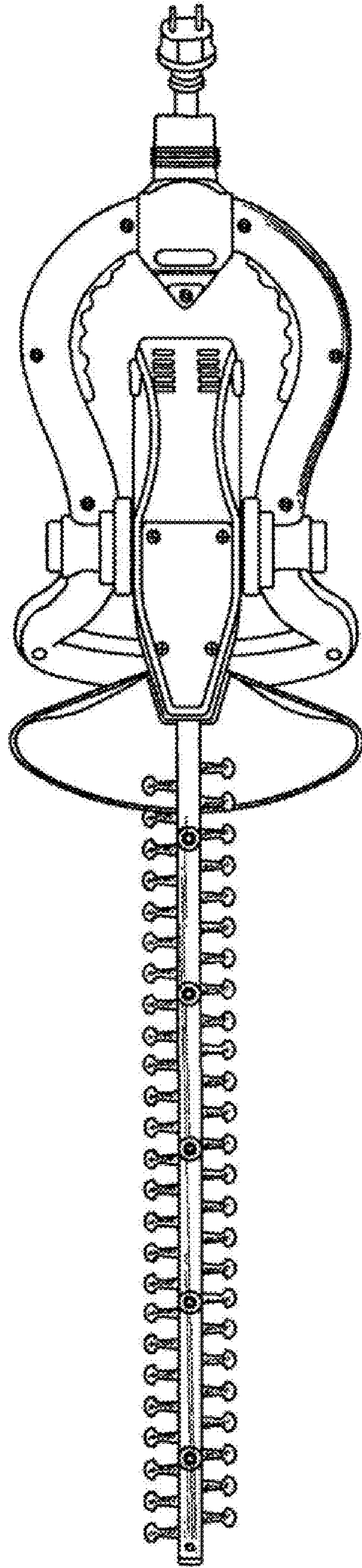


FIG. 11

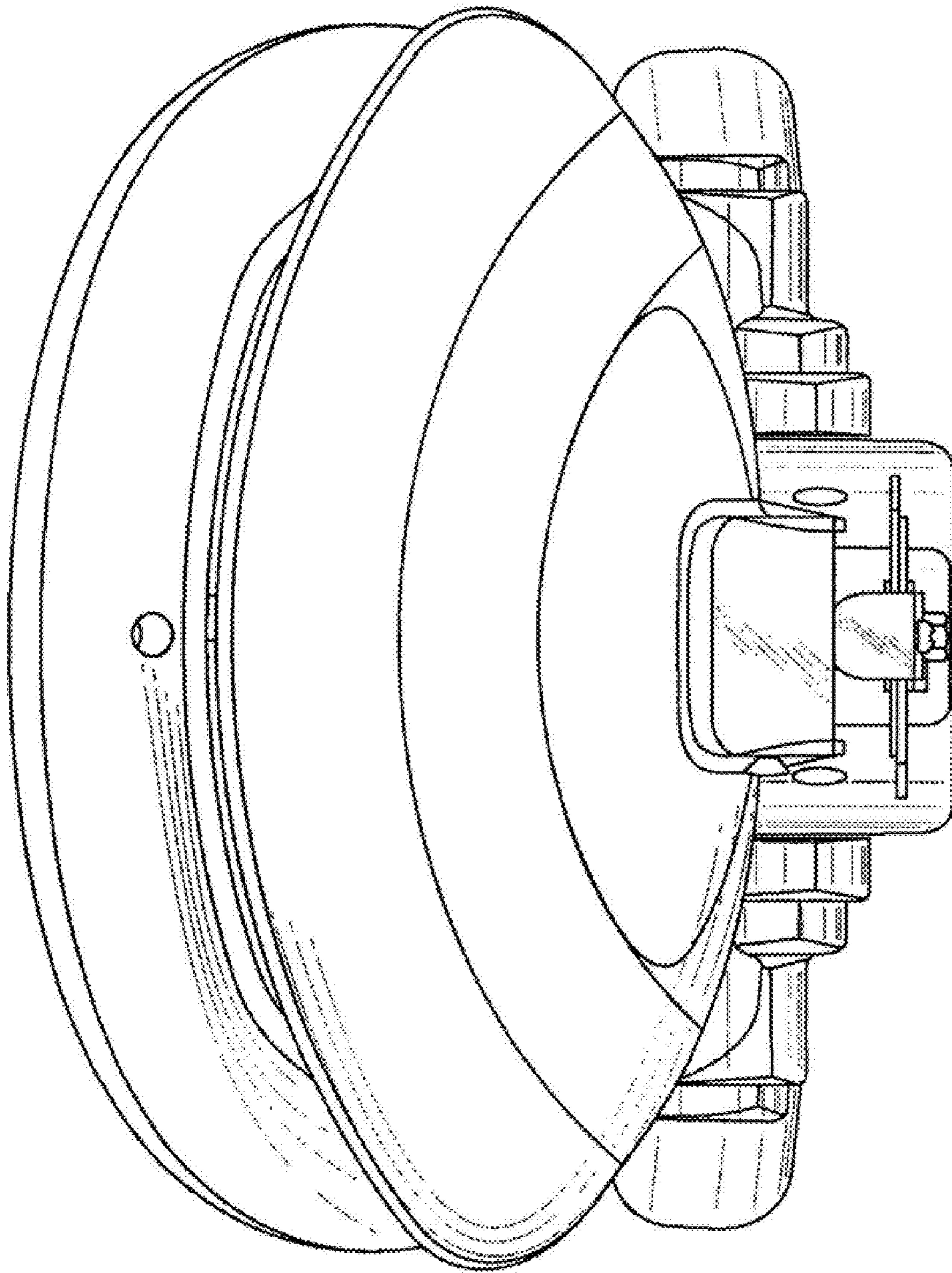


FIG.12

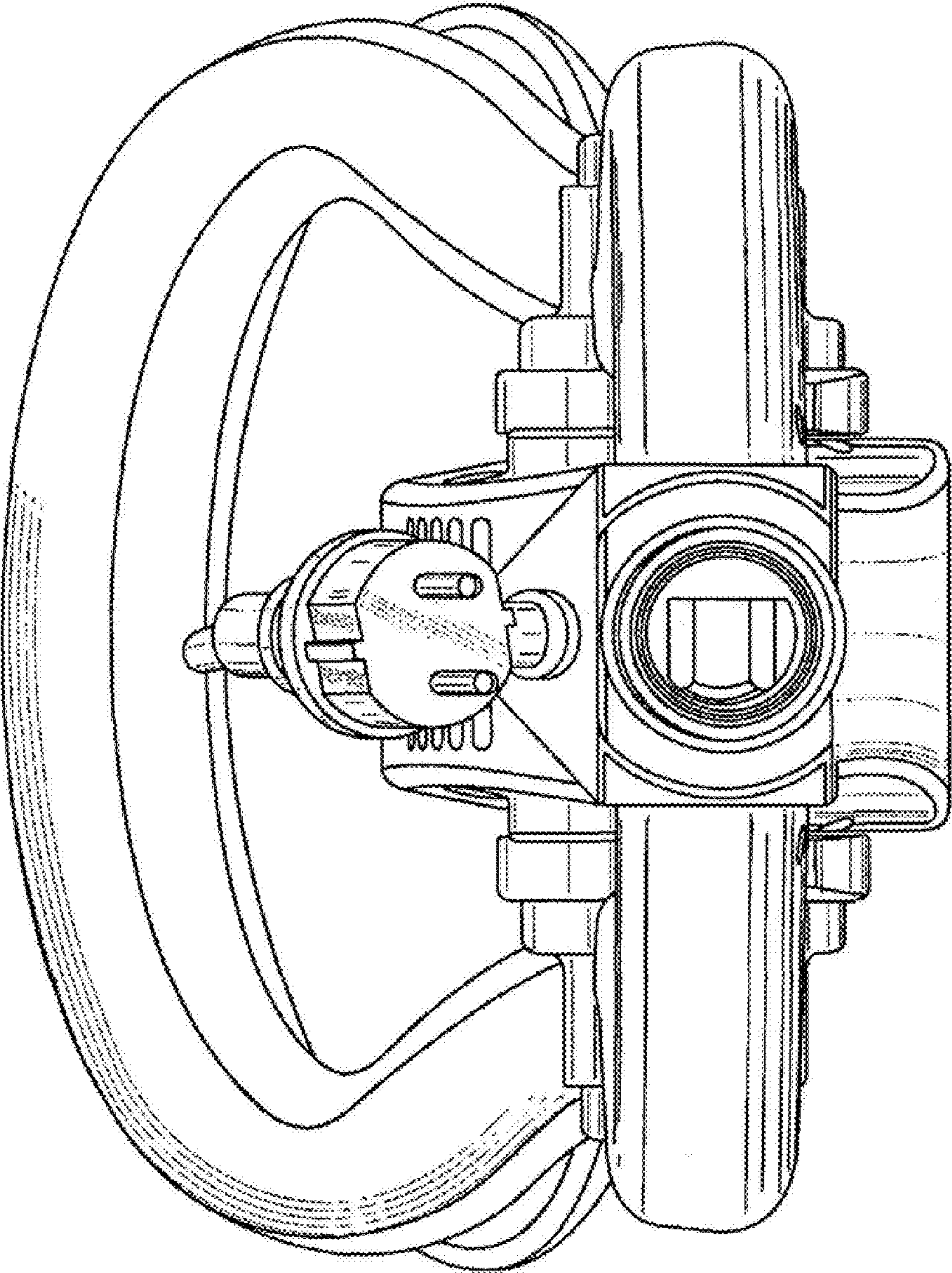


FIG. 13

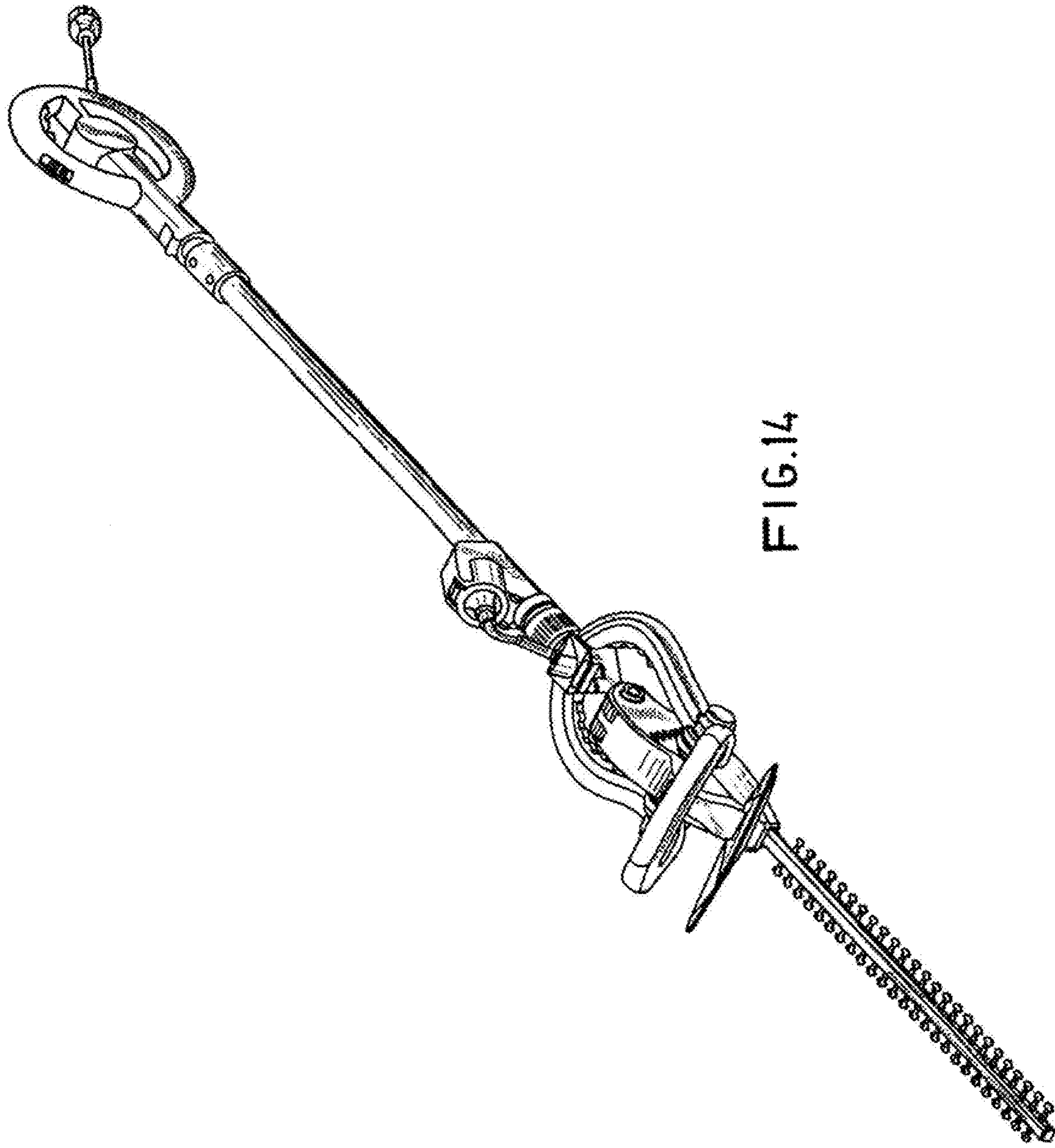


FIG. 14

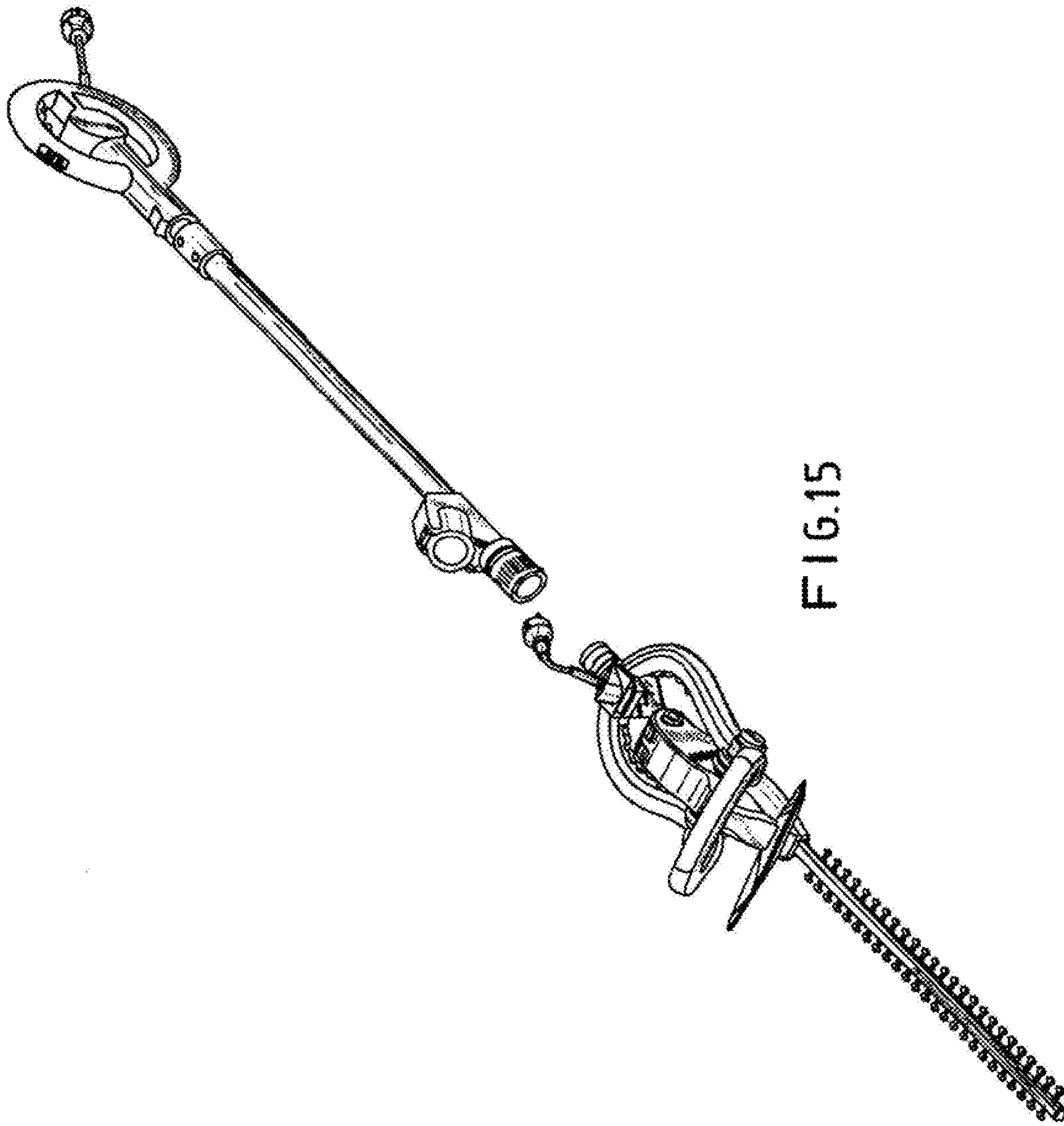


FIG. 15

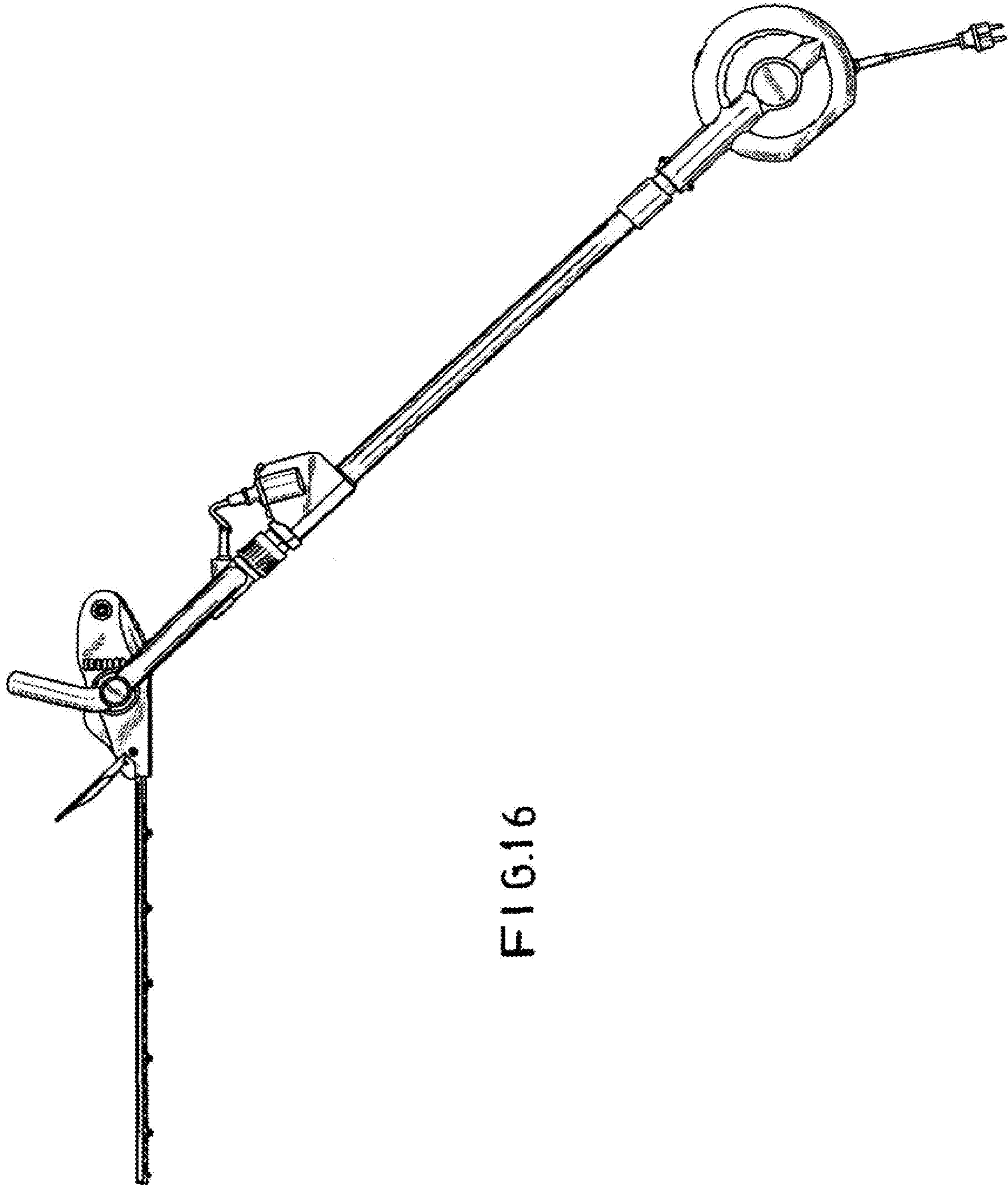


FIG.16