



US00D595998S

(12) **United States Design Patent**
Hauser

(10) **Patent No.:** **US D595,998 S**
(45) **Date of Patent:** **** Jul. 14, 2009**

(54) **BURGER PRESS TRAY**

D575,097 S * 8/2008 Courington et al. D7/357

(75) Inventor: **Lawrence M. Hauser**, Auburn, WA
(US)

* cited by examiner

Primary Examiner—Terry A Wallace

(73) Assignee: **Progressive International Corporation**,
Kent, WA (US)

(74) *Attorney, Agent, or Firm*—Black Lowe & Graham,
PLLC

(**) Term: **14 Years**

(57) **CLAIM**

(21) Appl. No.: **29/328,913**

I claim the ornamental design for the burger press tray, as
shown and described.

(22) Filed: **Dec. 3, 2008**

DESCRIPTION

(51) **LOC (9) Cl.** **07-04**

FIG. 1 is a perspective view of the burger press tray, showing
my new design;

(52) **U.S. Cl.** **D7/672**

FIG. 2 is a top view of the burger press tray;

(58) **Field of Classification Search** D7/672–677,
D7/354, 357; 249/170, 112; 425/298, 299,
425/318, 284

FIG. 3 is a front view of the burger press tray, the back view
being a mirror image;

See application file for complete search history.

FIG. 4 is a left side view of the burger press tray, the right side
view being identical;

(56) **References Cited**

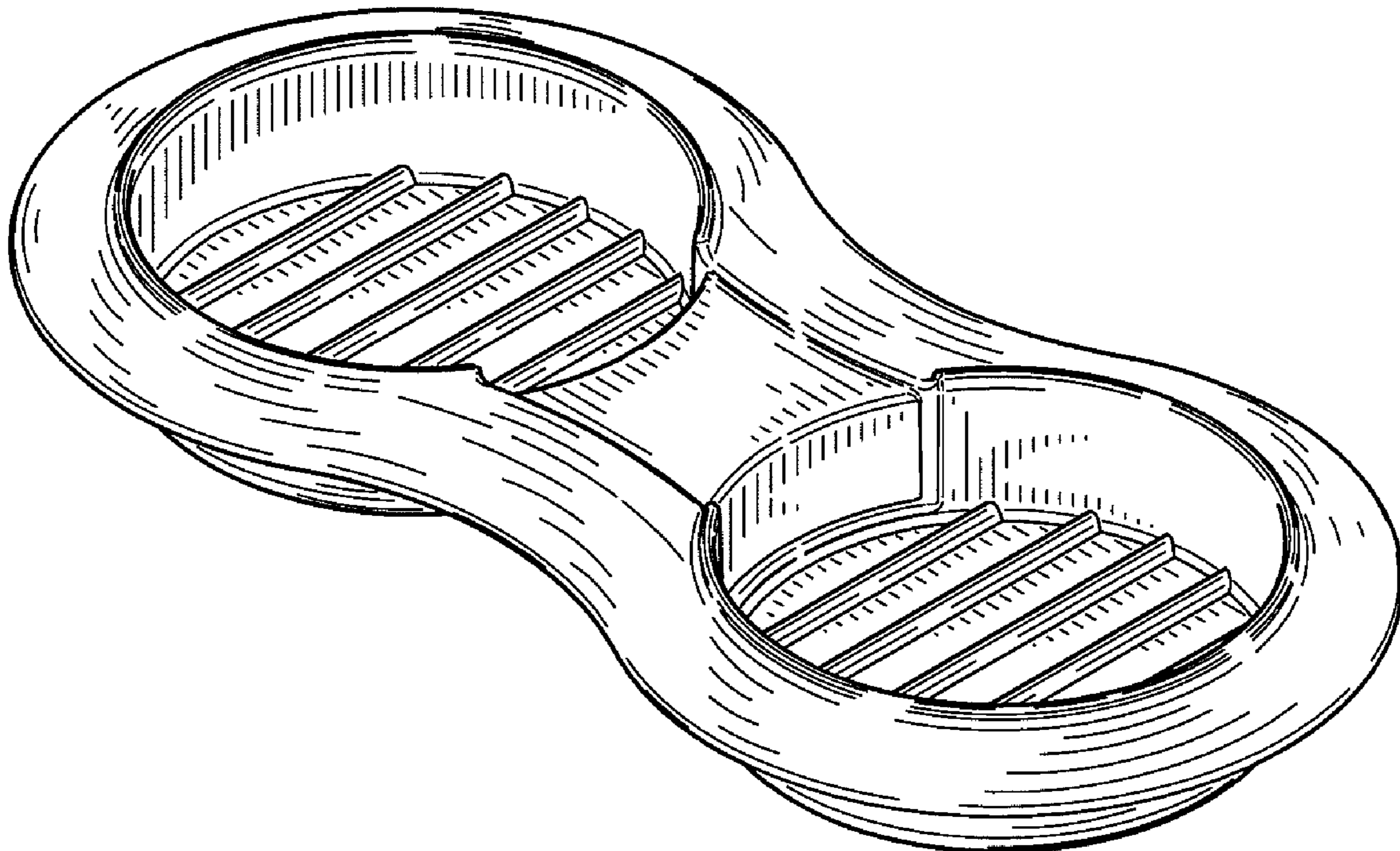
U.S. PATENT DOCUMENTS

D206,606 S *	1/1967	Smith	D7/674
D245,827 S *	9/1977	Korpi	D7/674
D352,206 S *	11/1994	Davis	D7/357
D353,968 S *	1/1995	Cock	D7/674
D414,075 S *	9/1999	Mishan	D7/675

FIG. 5 is a bottom view of the burger press tray; and,

FIG. 6 is a perspective exploded view of the burger press tray,
including a plunger and lifter shown in phantom which form
no part of the claimed design.

1 Claim, 4 Drawing Sheets



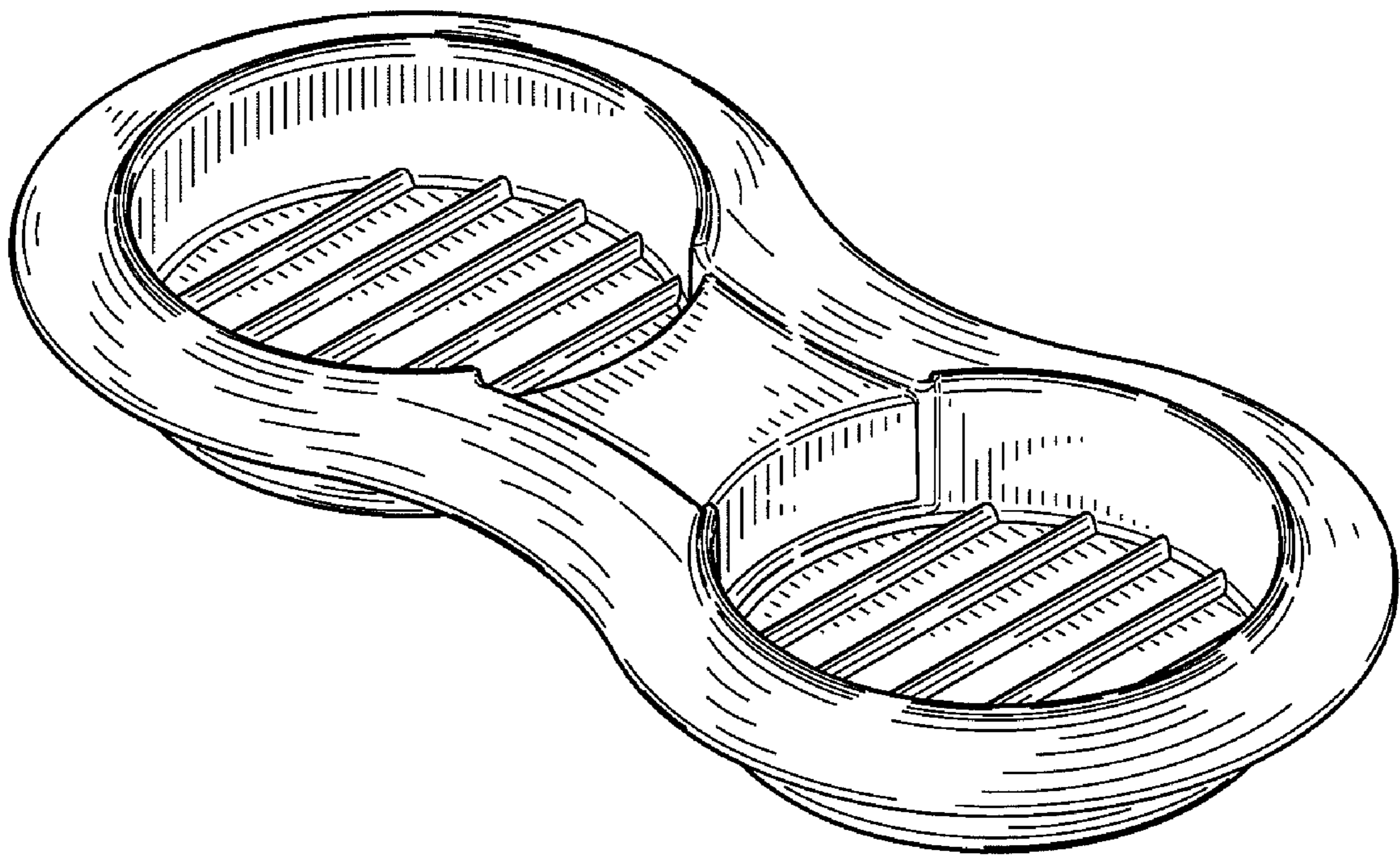


FIG.1

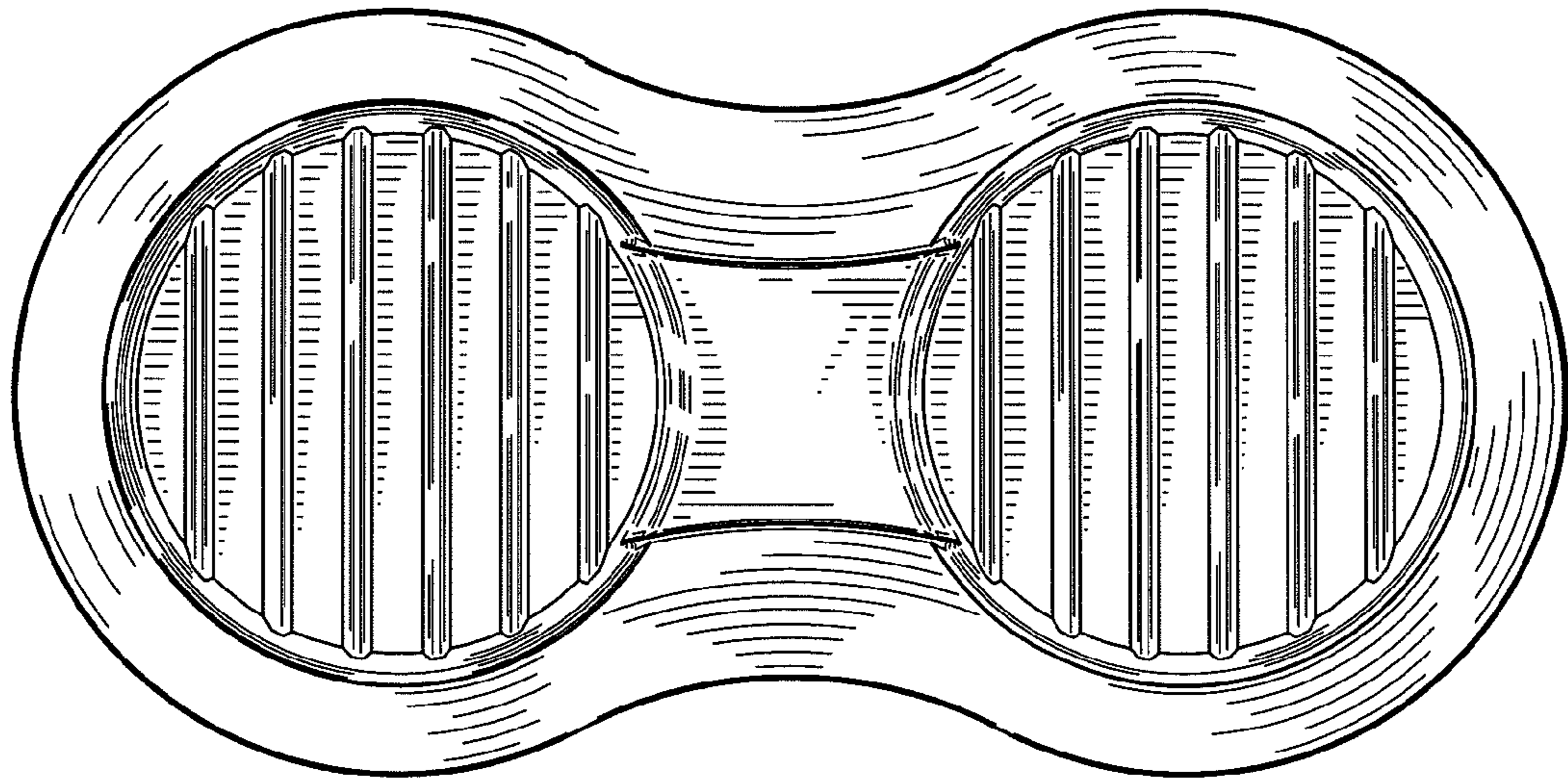


FIG. 2

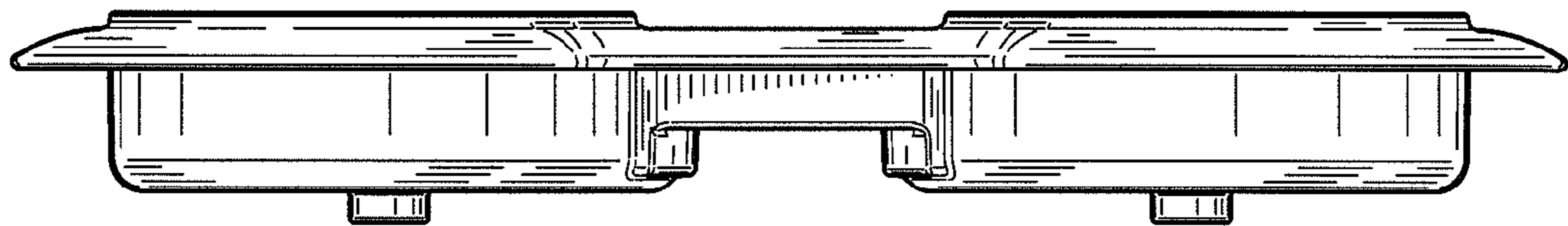


FIG. 3

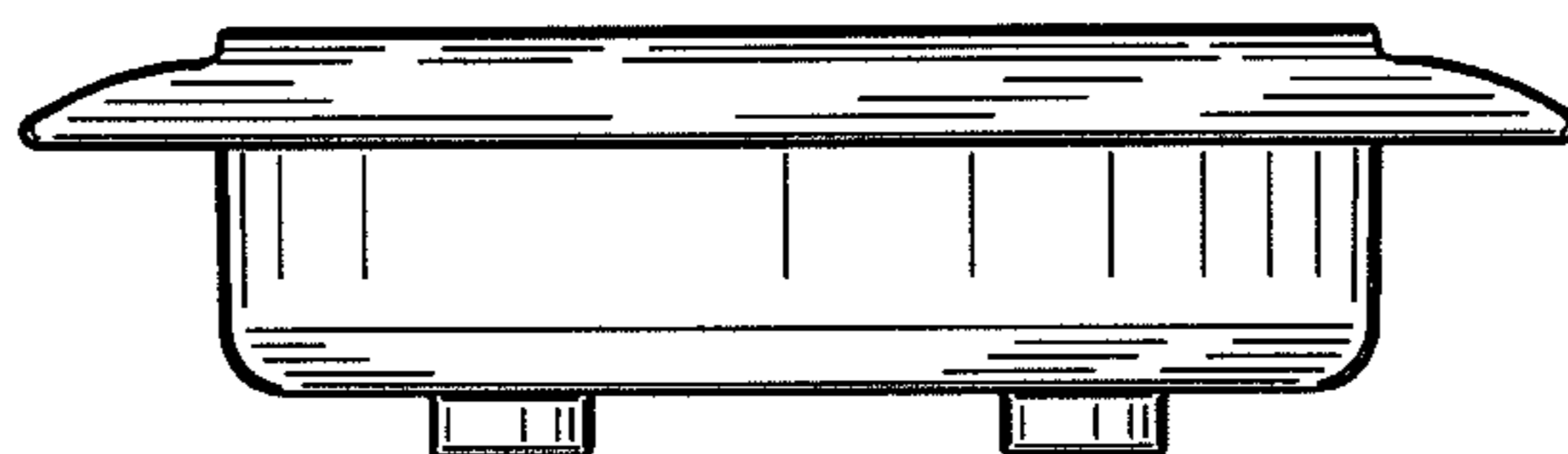


FIG. 4

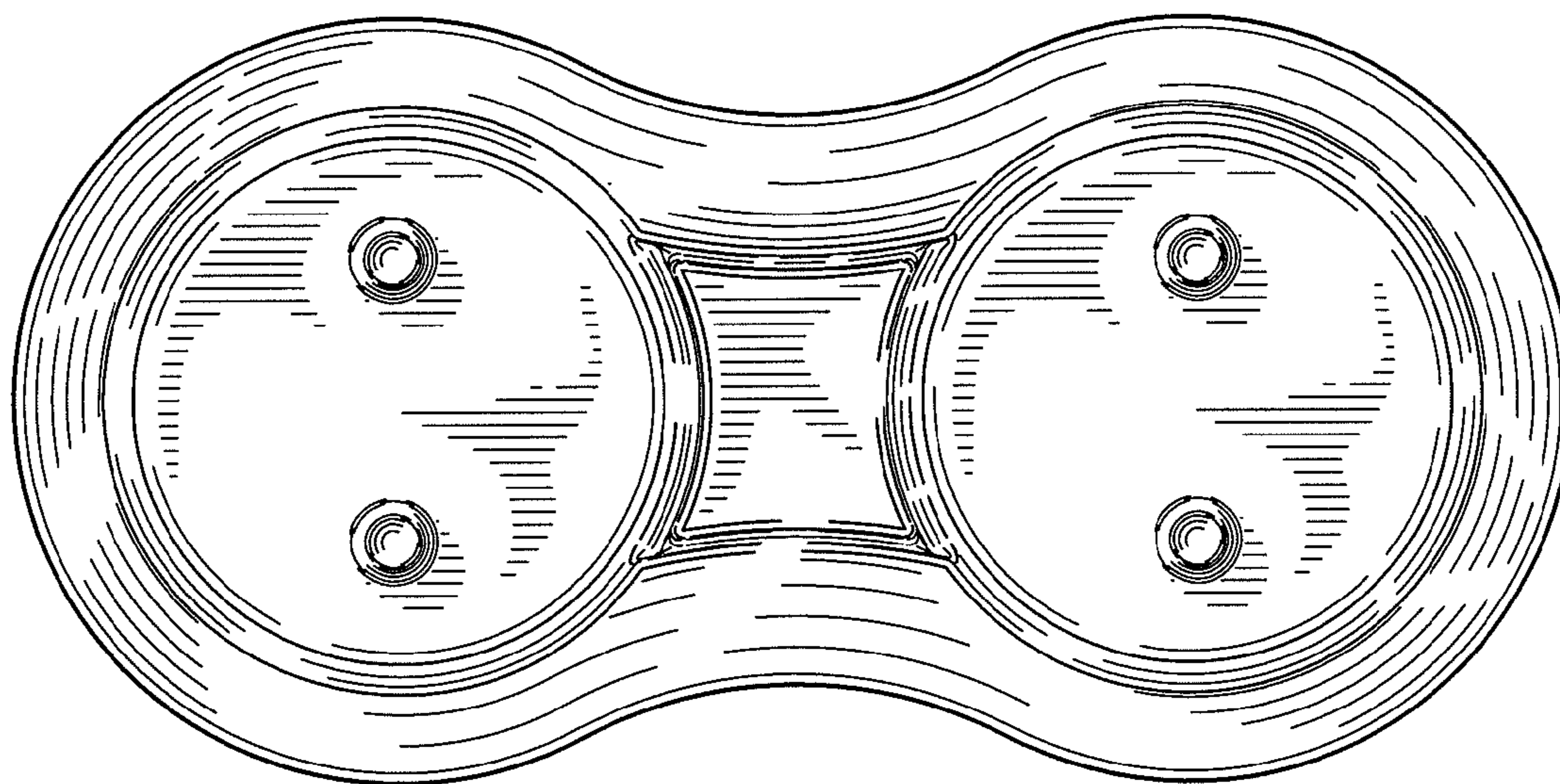


FIG. 5

FIG. 6

