

US00D595996S

(12) **United States Design Patent**  
**Cass et al.**

(10) **Patent No.:** **US D595,996 S**  
(45) **Date of Patent:** **\*\* Jul. 14, 2009**

(54) **UTENSIL STORAGE STAND**

D499,918 S \* 12/2004 Snell ..... D6/534  
D502,786 S \* 3/2005 Cheung ..... D28/73

(76) Inventors: **David Lee Cass**, 179 Sidehammer La.,  
Greensburg, PA (US) 15601; **Marilyn**  
**Kathryn Cass**, 179 Sidehammer La.,  
Greensburg, PA (US) 15601

(\*\*) Term: **14 Years**

(21) Appl. No.: **29/301,079**

(22) Filed: **Feb. 8, 2008**

(51) **LOC (9) Cl.** ..... **07-01**

(52) **U.S. Cl.** ..... **D7/637**

(58) **Field of Classification Search** ..... D7/637,  
D7/640-641, 397; 211/70.6, 70.7, 74, 77;  
248/37.3, 37.6, 176.1; D6/524, 526, 528,  
D6/534; D9/455, 739, 751-752

See application file for complete search history.

(56) **References Cited**

**U.S. PATENT DOCUMENTS**

1,221,517 A \* 4/1917 Dunbar ..... 211/70  
D375,023 S \* 10/1996 Cohen et al. .... D7/641  
D425,331 S \* 5/2000 Murray ..... D6/458  
D470,019 S \* 2/2003 Law ..... D7/641  
D478,231 S \* 8/2003 Snell ..... D6/534

**OTHER PUBLICATIONS**

“Liquor Dispenser”, The Wine Enthusiast Catalog, Fall 2005, p. 33,  
retrieved from Google Catalogs Dec. 2008, <<http://catalogs.google.com/catalogs?id=10RTwlvbmowC&pg=PA33&dq=liquor+dispensers>>.\*

\* cited by examiner

*Primary Examiner*—Ian Simmons  
*Assistant Examiner*—Dana L Sipos

(57) **CLAIM**

I claim the ornamental design for a utensil storage stand, as shown and described.

**DESCRIPTION**

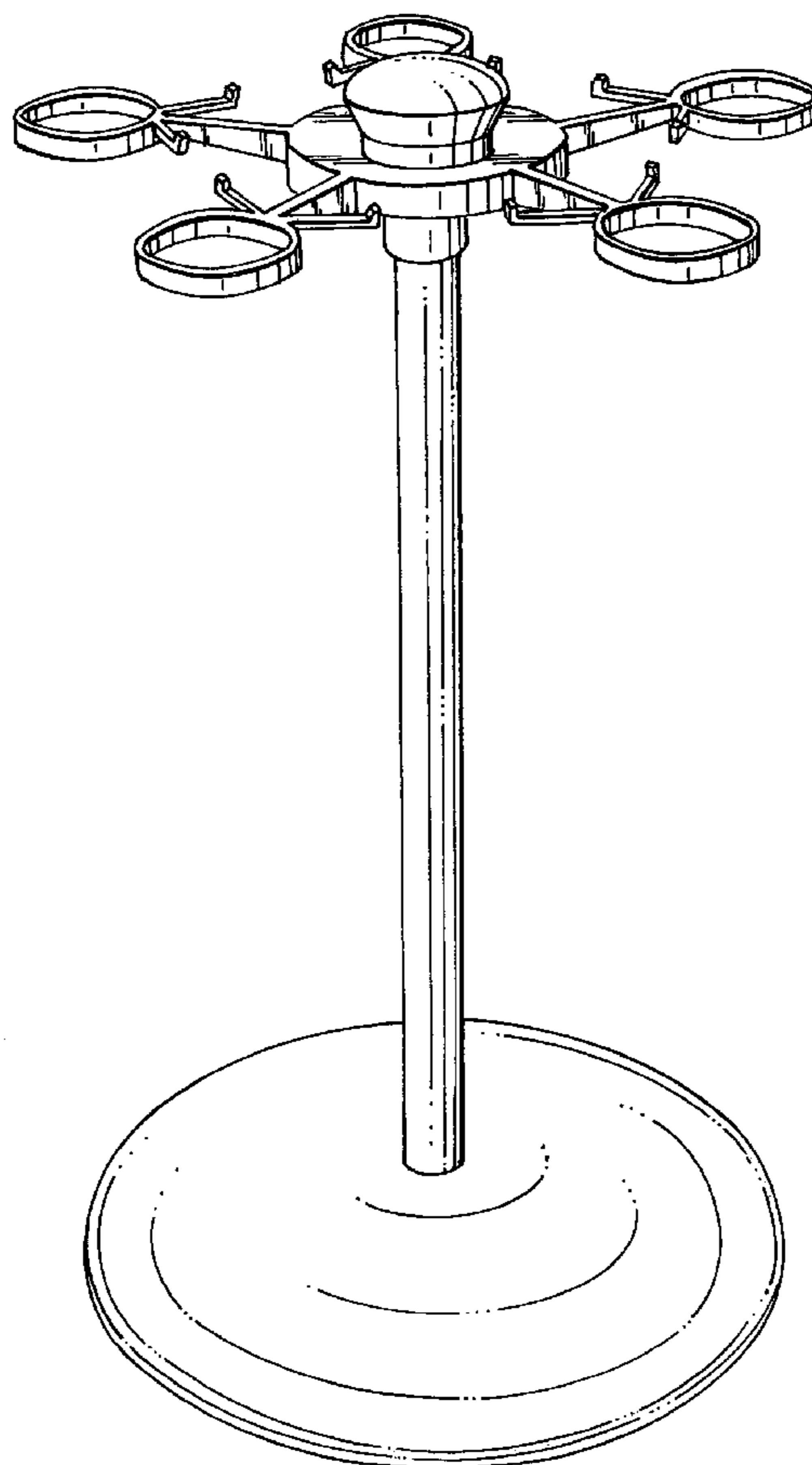
FIG. 1 is a top, front, left side perspective view of a utensil storage stand according to the present invention;

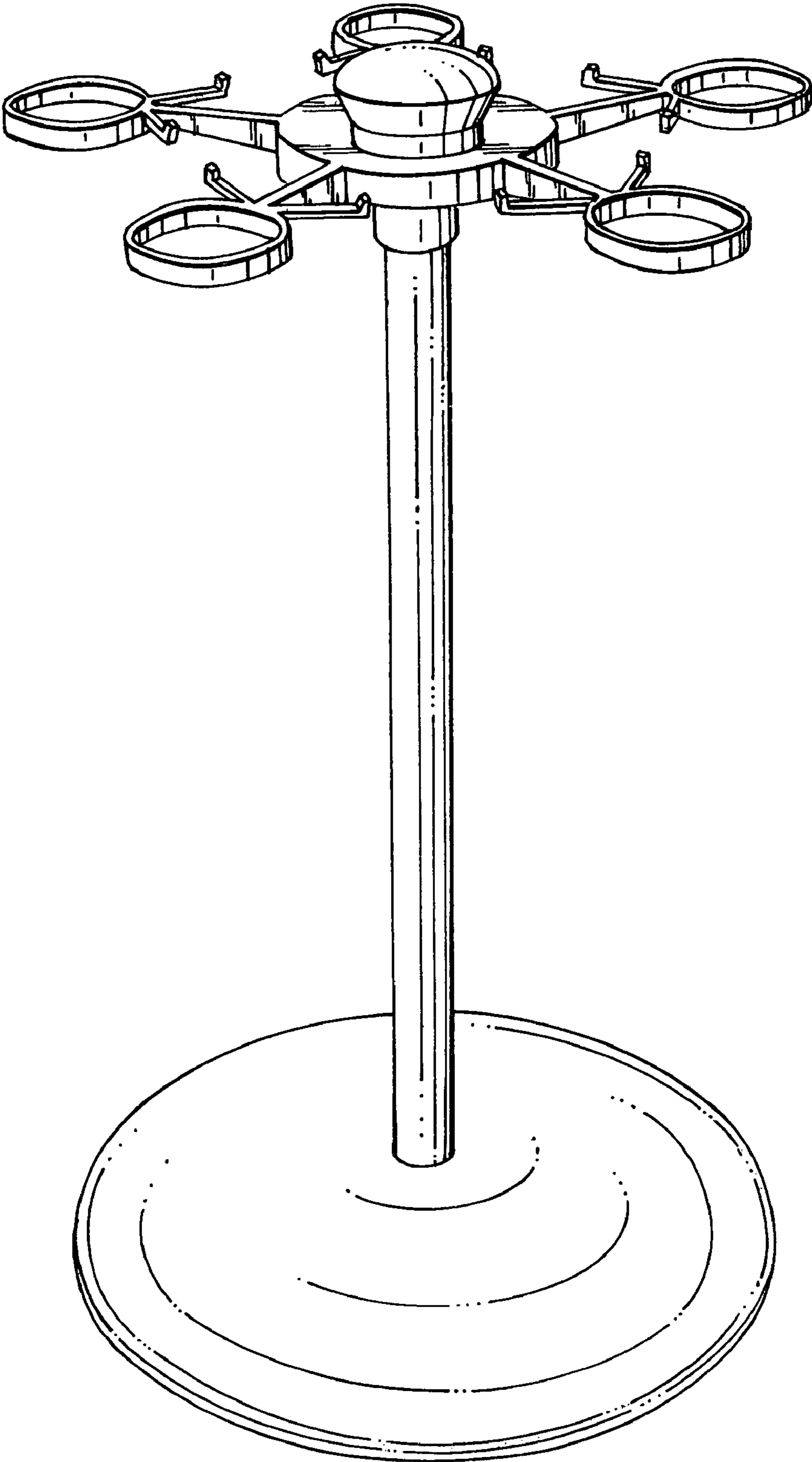
FIG. 2 is a top plan view thereof, shown at an enlarged scale;

FIG. 3 is a front elevation view thereof, shown at a reduced scale; and,

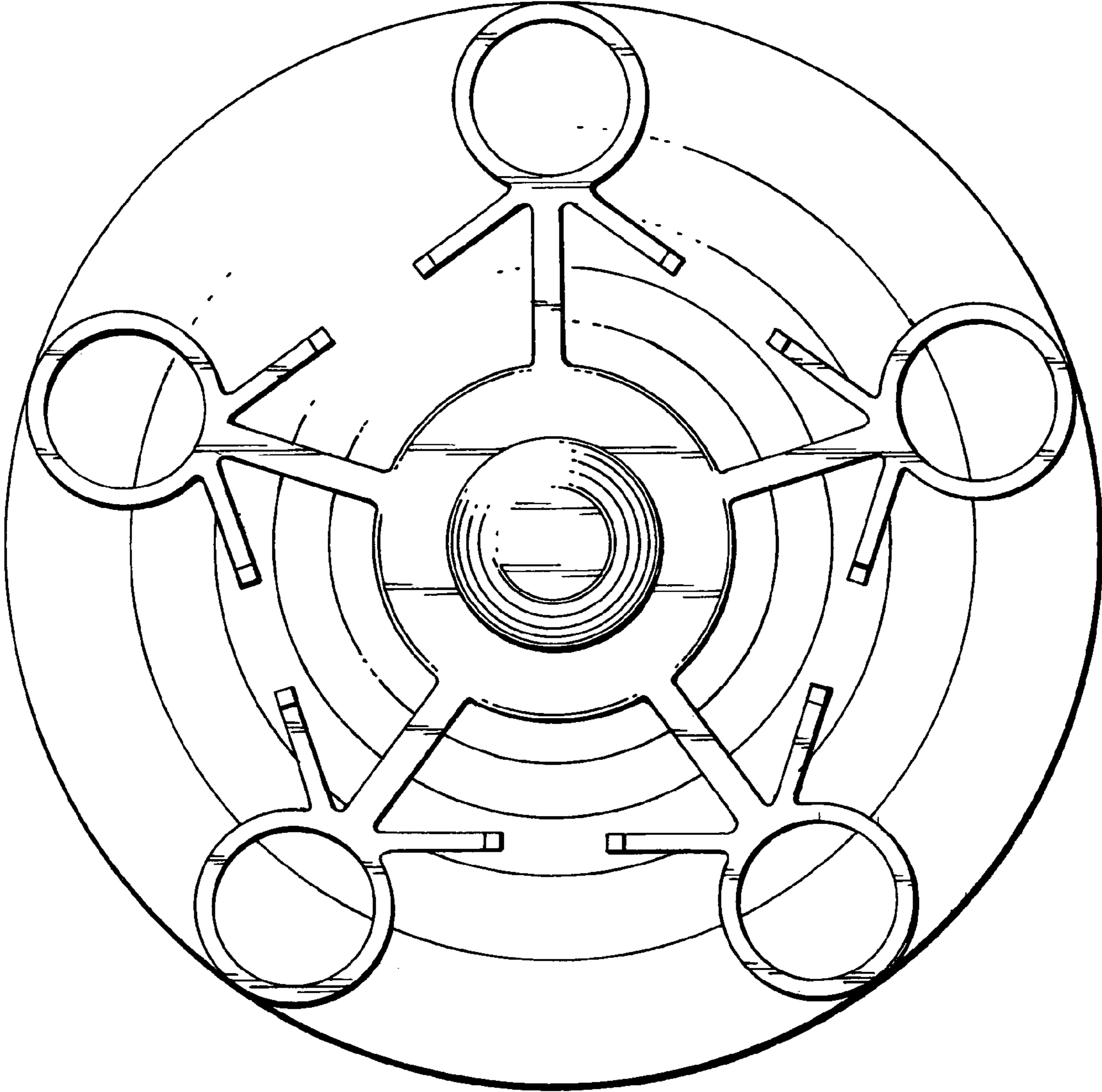
FIG. 4 is a front, right side elevation view of the top portion of the design, shown at a slightly enlarged scale.

**1 Claim, 4 Drawing Sheets**

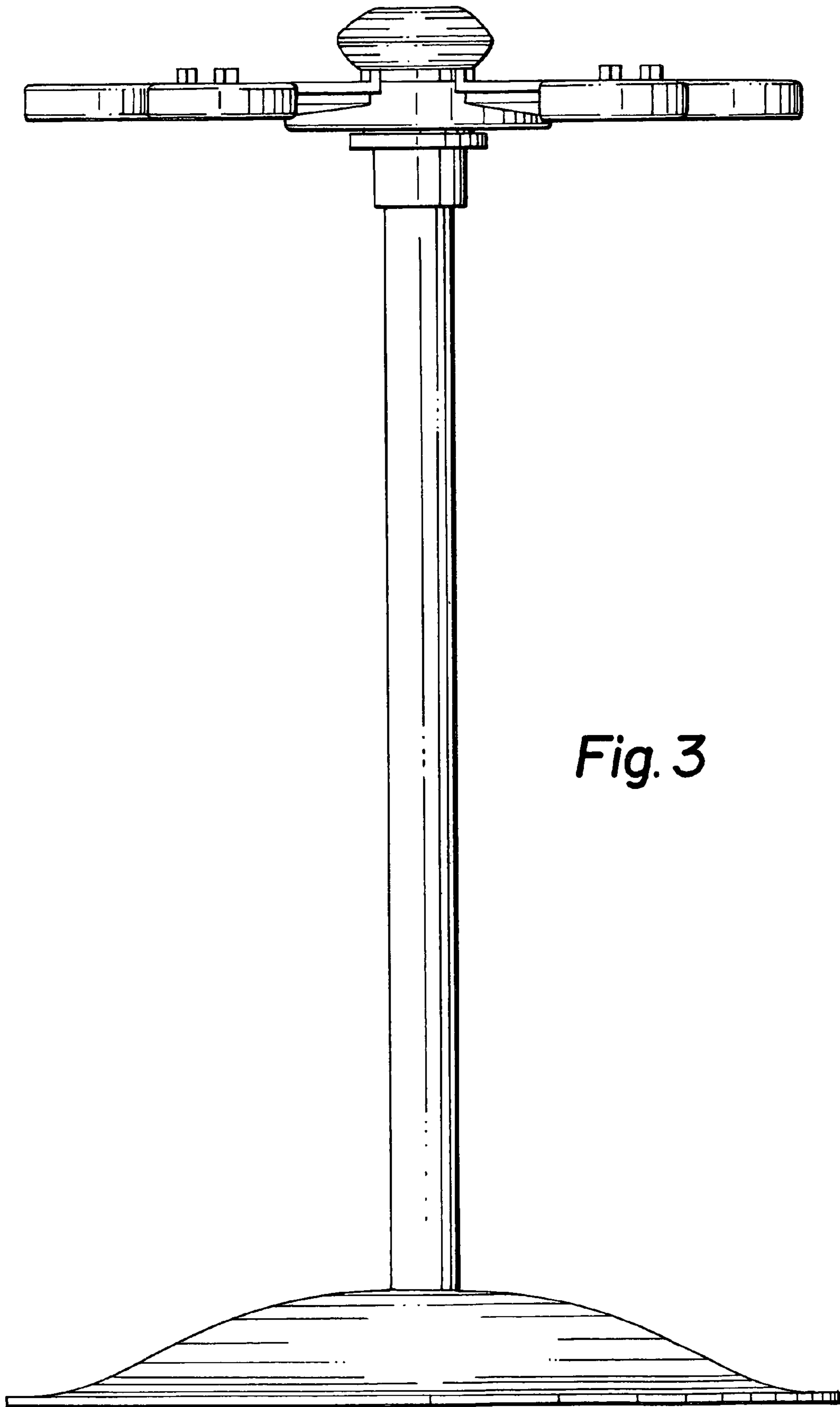




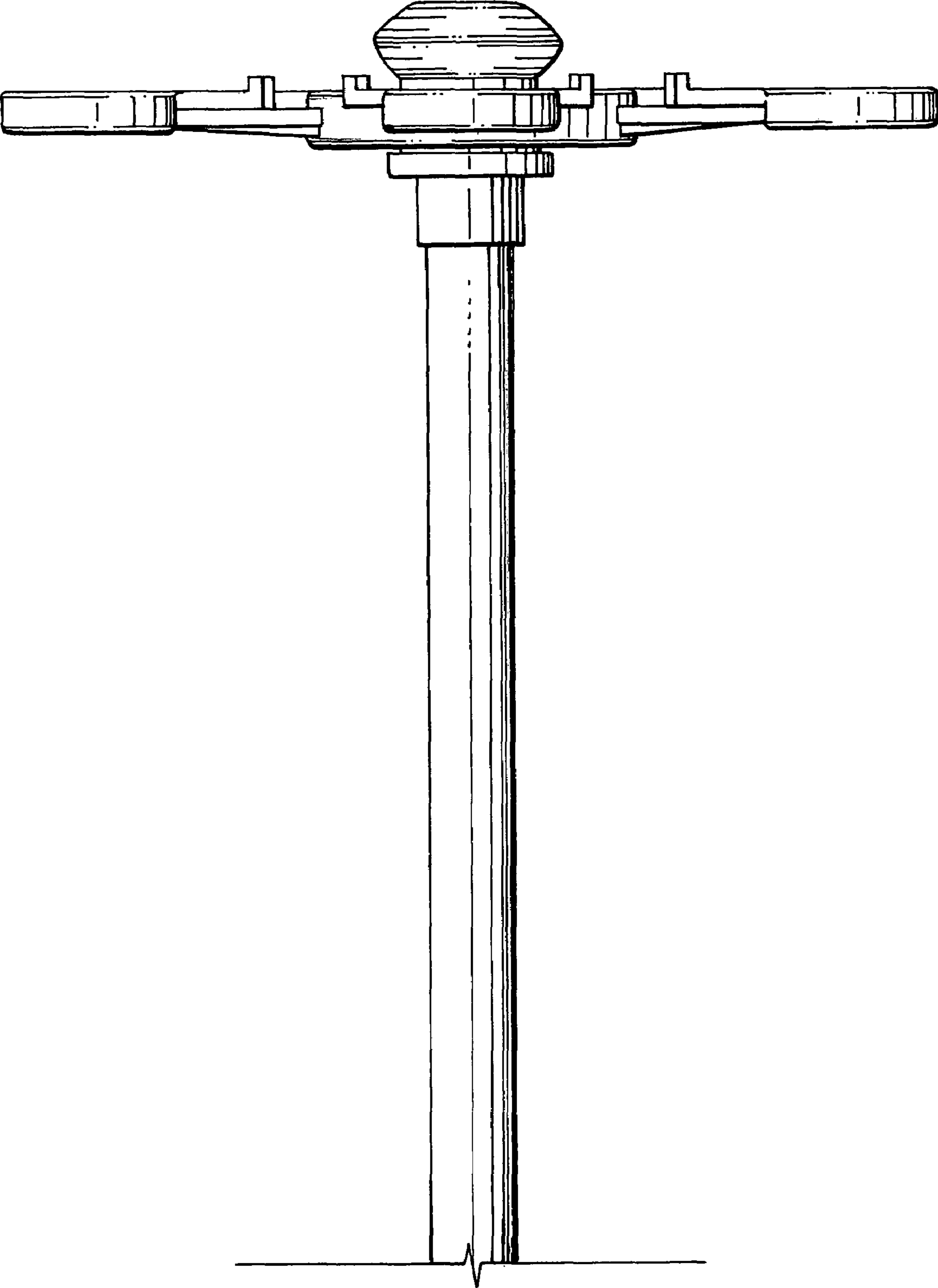
*Fig. 1*



*Fig. 2*



*Fig. 3*



*Fig. 4*