



US00D595995S

(12) **United States Design Patent**
Walton

(10) **Patent No.:** **US D595,995 S**
(45) **Date of Patent:** **** Jul. 14, 2009**

(54) **BEVERAGE HOLDER**

D453,894 S * 2/2002 Friedlander D7/622
D468,592 S * 1/2003 Aponte D7/622

(76) Inventor: **Tammy Jo Walton**, 153 Commercial St.,
Box 1373, Provincetown, MA (US)
02657

* cited by examiner

Primary Examiner—Terry A Wallace

(**) Term: **14 Years**

(74) *Attorney, Agent, or Firm*—Grossman Tucker Perreault &
Pfleger, PLLC

(21) Appl. No.: **29/320,122**

(57) **CLAIM**

(22) Filed: **Jun. 20, 2008**

The ornamental design for a beverage holder, as shown and
described.

(51) **LOC (9) Cl.** **07-06**

(52) **U.S. Cl.** **D7/624.1**

(58) **Field of Classification Search** D7/619.1–625,
D7/605, 607; 294/32, 27.1, 31.2, 33; 215/395,
215/693, 398, 392, 393; 220/737, 739, 752,
220/755, 742, 758, 759, 710.5, 902, 903;
248/311.2

See application file for complete search history.

DESCRIPTION

FIG. 1 is a perspective side view of the beverage holder of the
present invention;

FIG. 2 is a front view of the beverage holder shown in FIG. 1;

FIG. 3 is a rear view of the beverage holder shown in FIG. 1;

FIG. 4 is a left side view of the beverage holder shown in FIG.
1;

FIG. 5 is a right side view of the beverage holder shown in
FIG. 1;

FIG. 6 is a top view of the beverage holder shown in FIG. 1;
and,

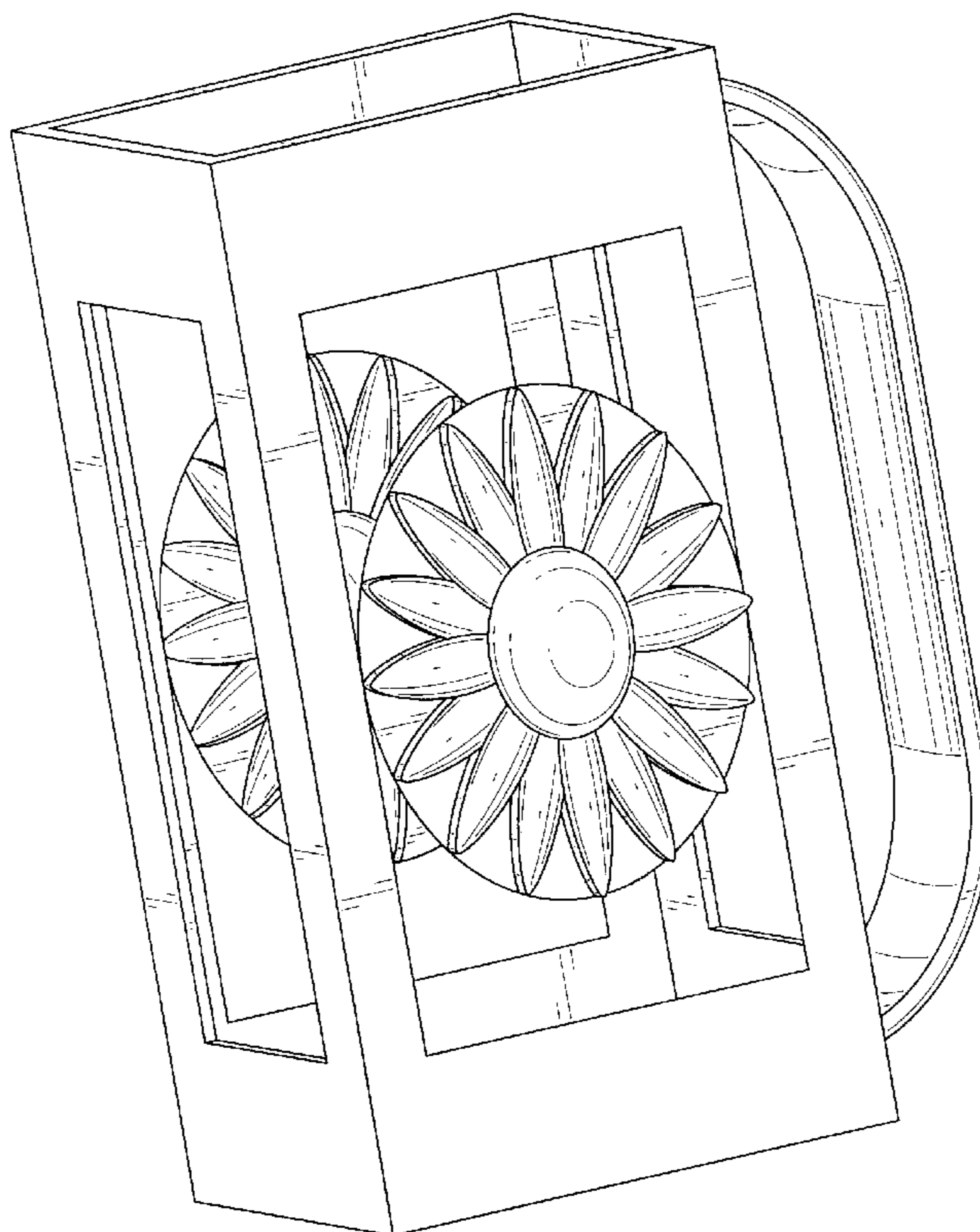
FIG. 7 is a bottom view of the beverage holder shown in FIG.
1.

(56) **References Cited**

U.S. PATENT DOCUMENTS

- D177,960 S * 6/1956 Bowans D7/622
- D180,195 S * 4/1957 Mitchell D7/622
- D187,889 S * 5/1960 Zaccaro D7/622
- D203,403 S * 1/1966 Martini D7/622
- 3,373,897 A * 3/1968 Haines 220/737
- D225,435 S * 12/1972 Anthony D7/622
- D369,724 S * 5/1996 Wieneke D7/622
- D408,226 S * 4/1999 Hollinger D7/622

1 Claim, 5 Drawing Sheets



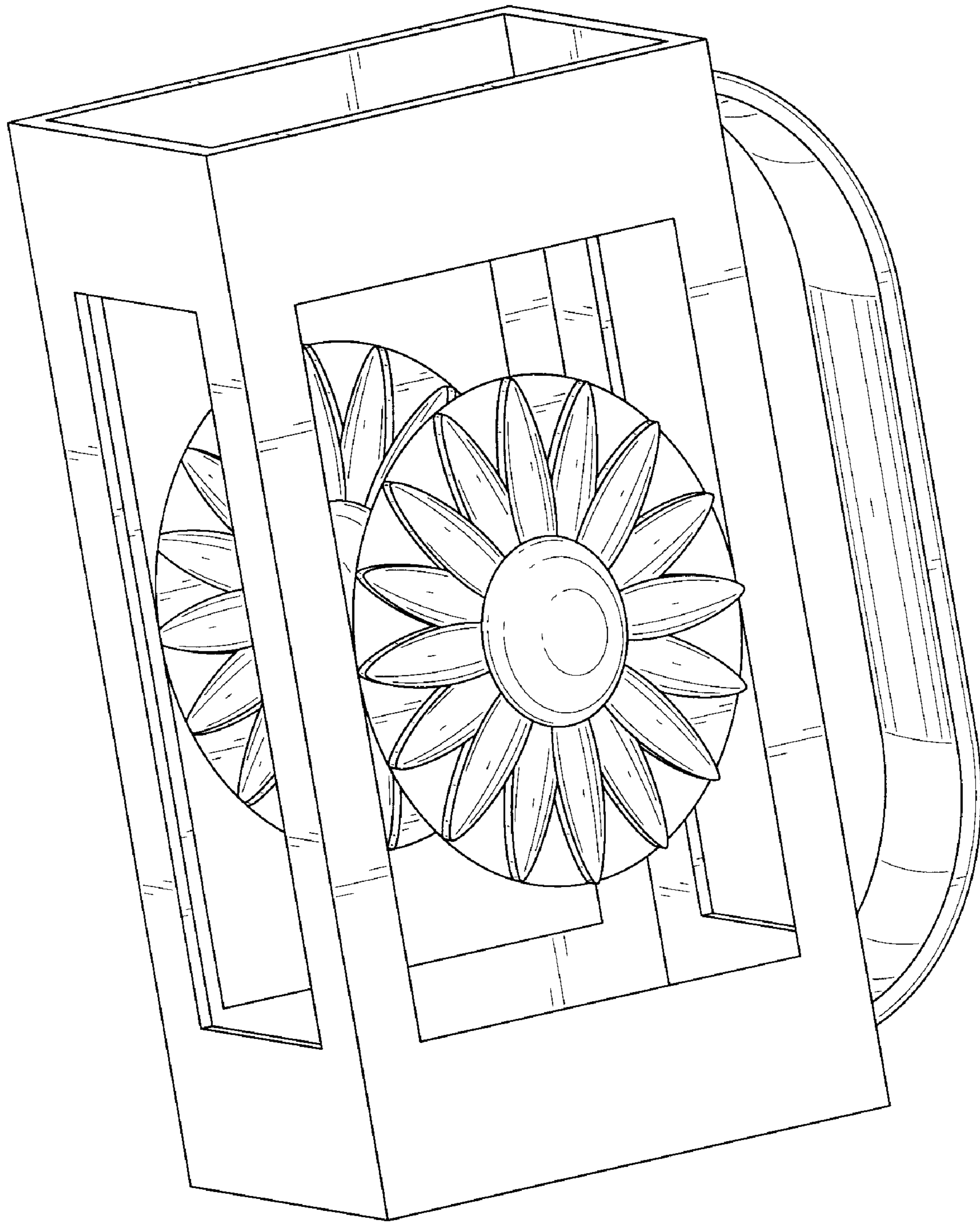


FIG. 1

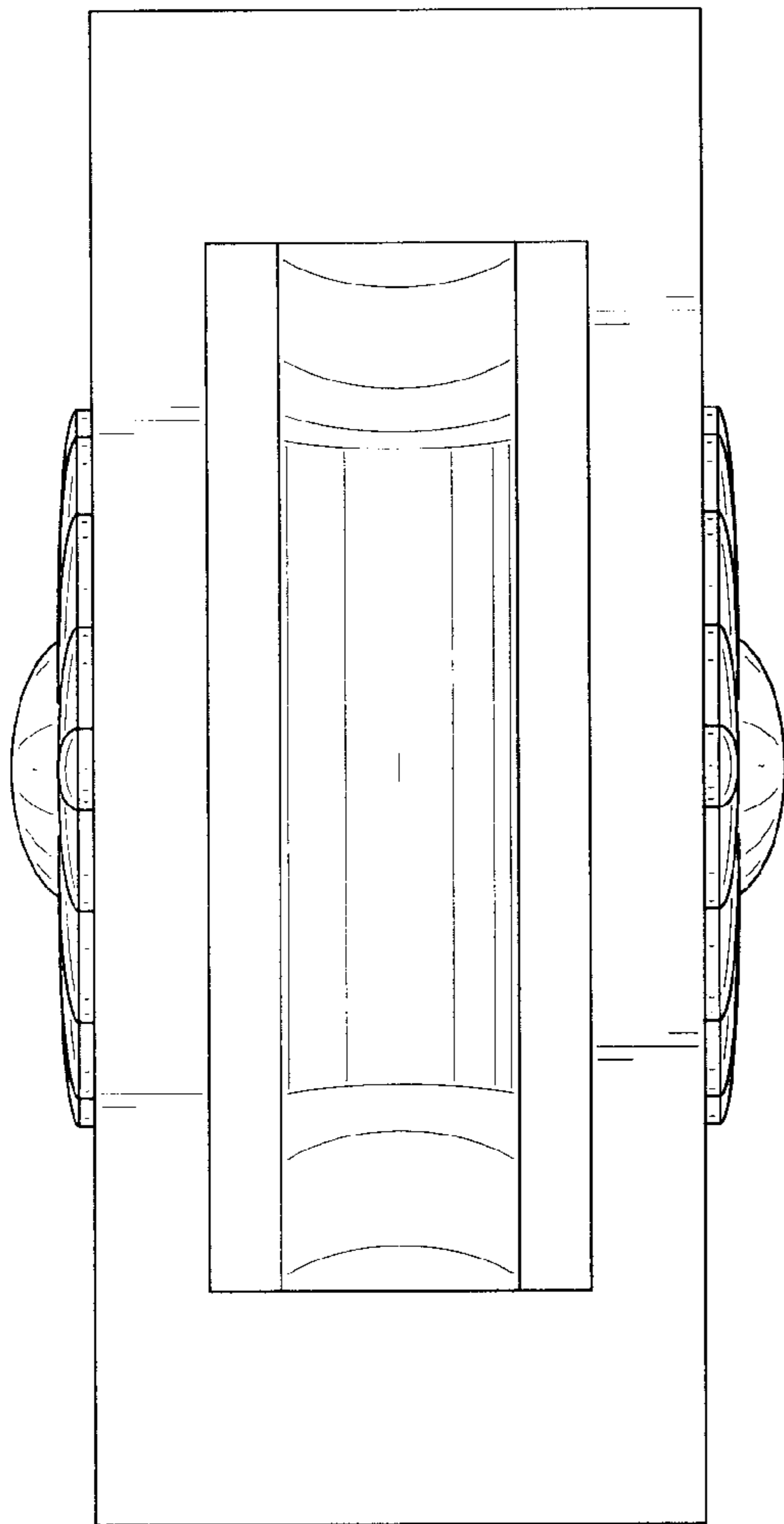


FIG. 2

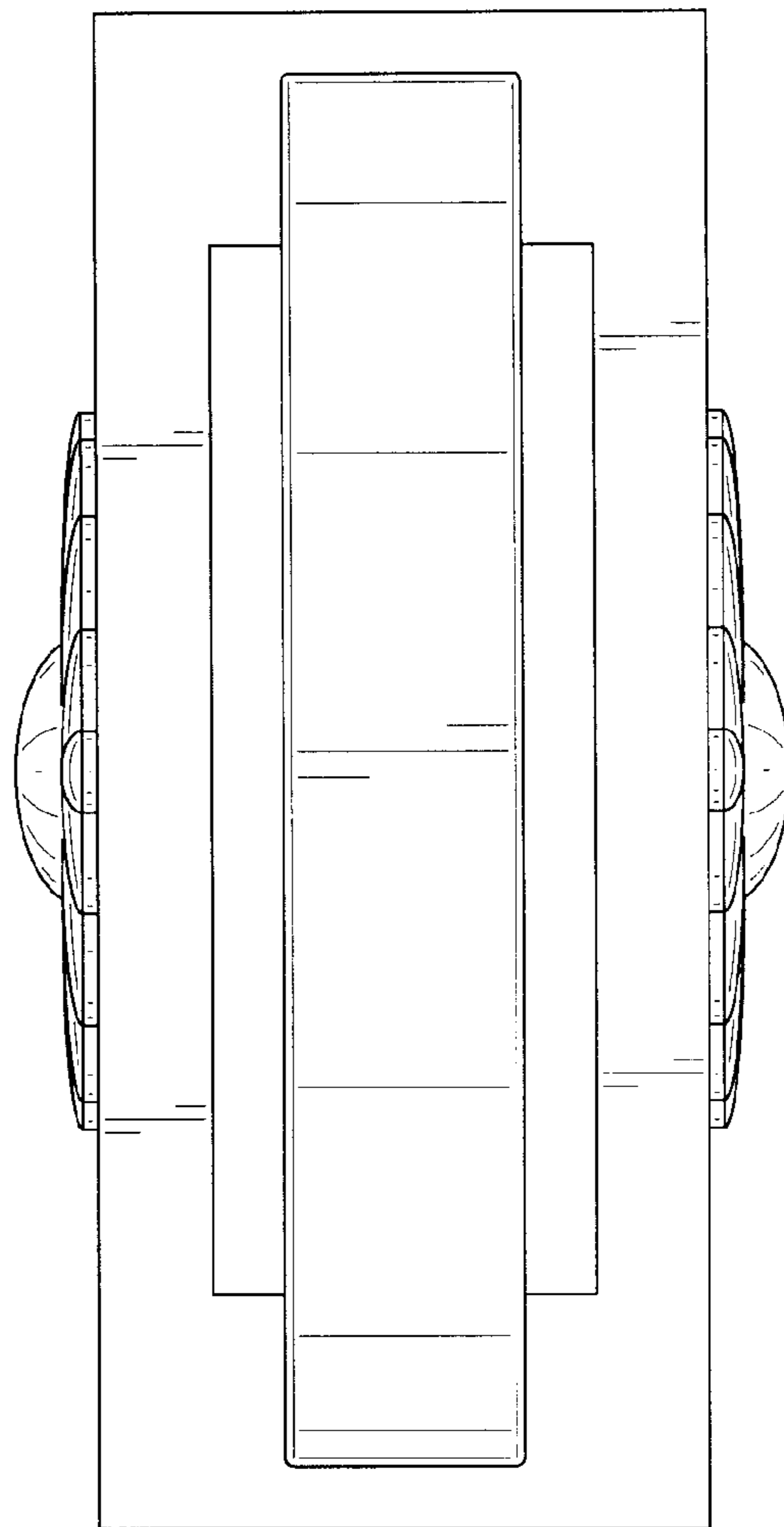


FIG. 3

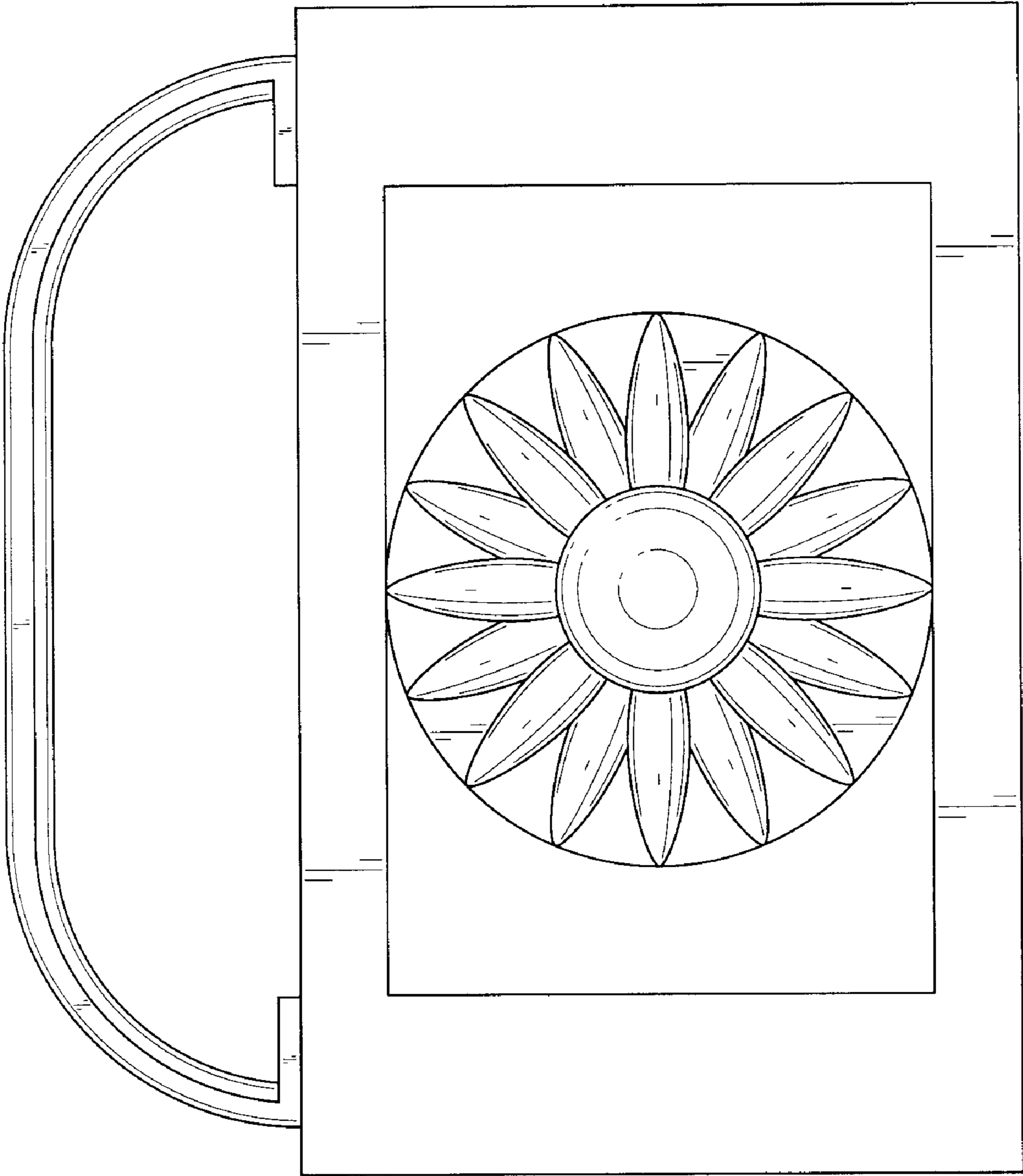


FIG. 4

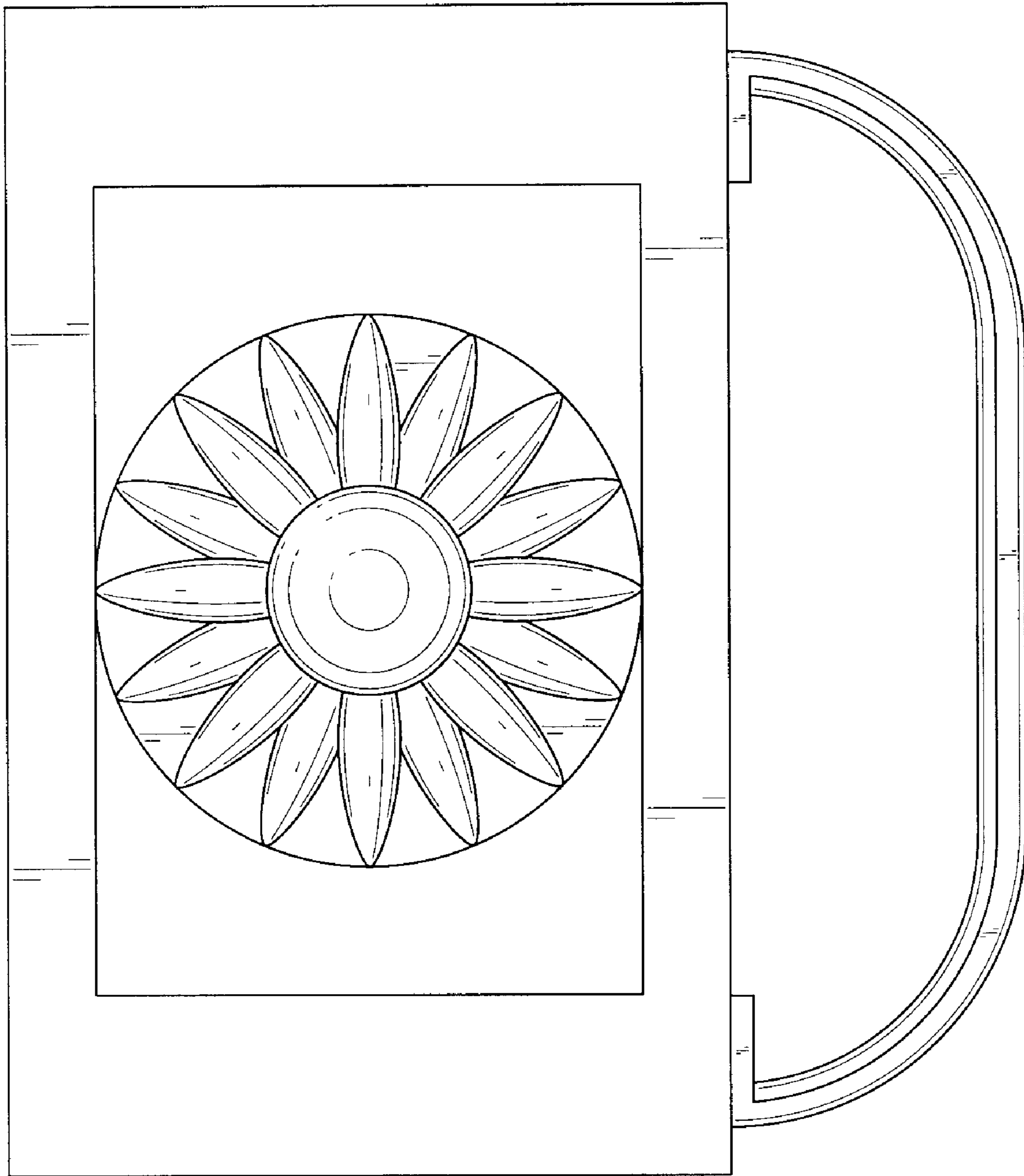


FIG. 5

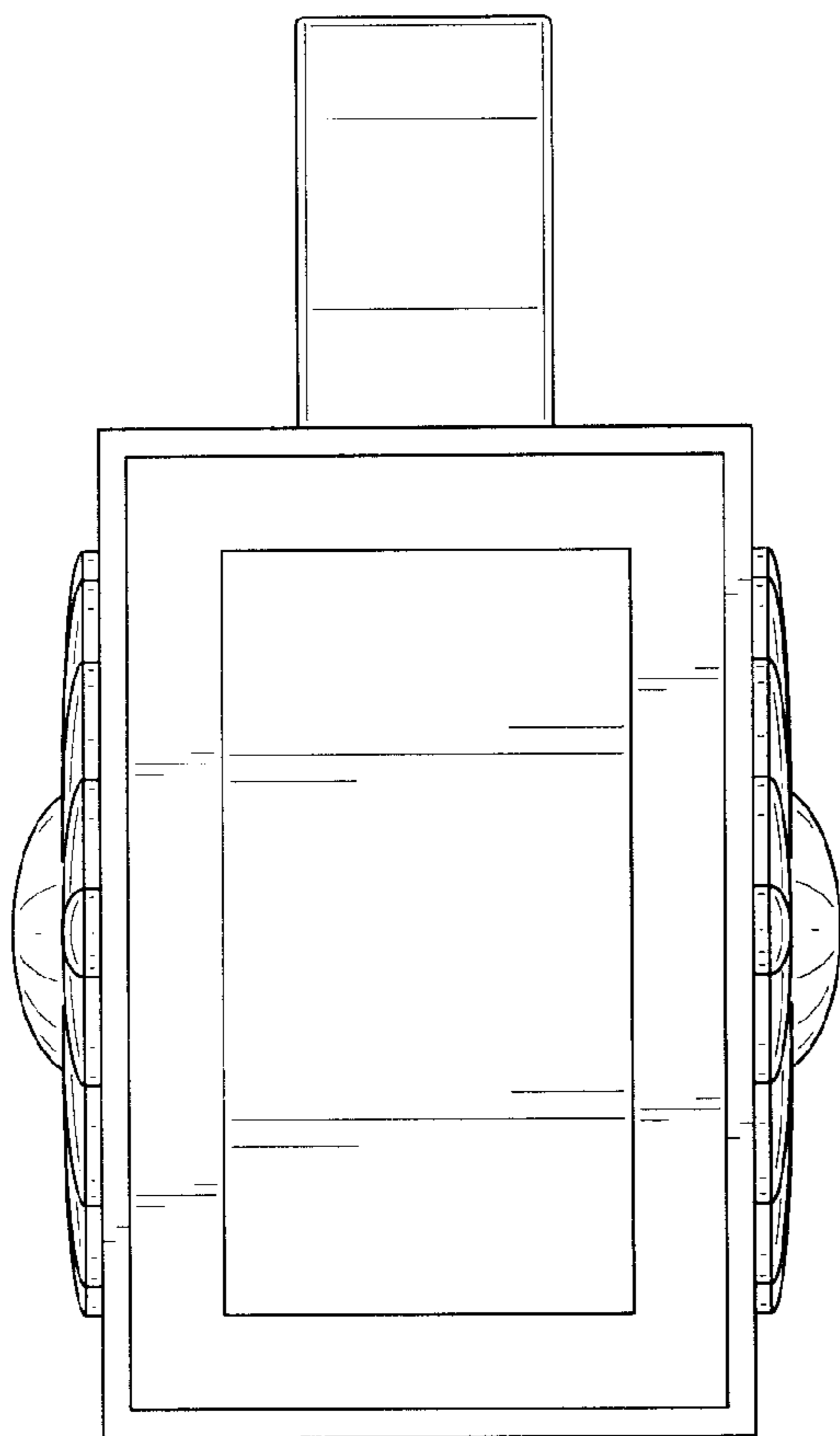


FIG. 6

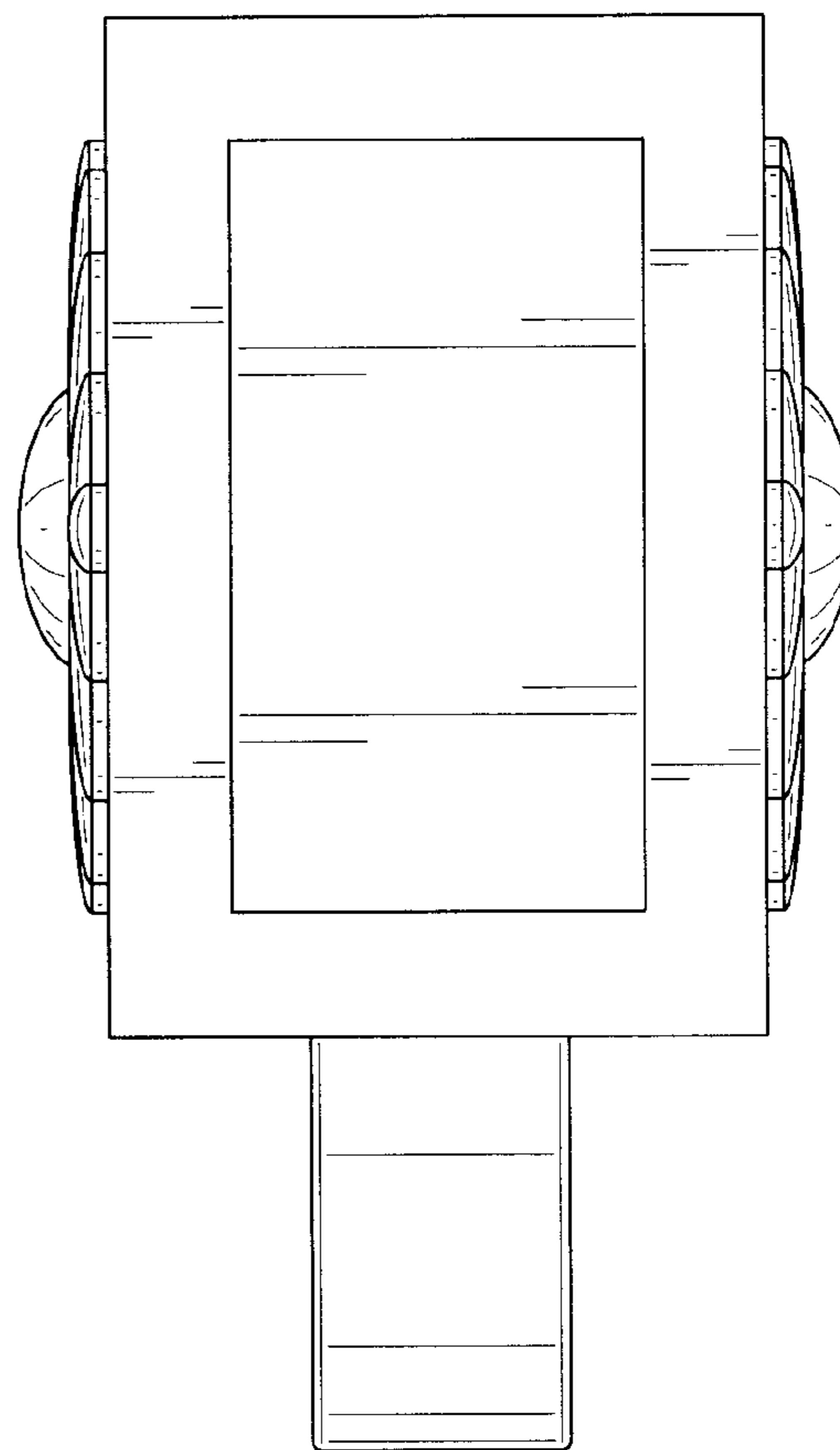


FIG. 7