



US00D595994S

(12) **United States Design Patent**
Albritton

(10) **Patent No.:** **US D595,994 S**
(45) **Date of Patent:** **** Jul. 14, 2009**

(54) **INSULATED SOFT SIDE CAN AND BOTTLE COOLER**

D530,159 S * 10/2006 Brunson D7/624.2
2007/0170189 A1 * 7/2007 Carlile 220/739

(76) Inventor: **Jeffrey Albritton**, 5023 S. Dixie Hwy.,
West Palm Beach, FL (US) 33405

* cited by examiner

Primary Examiner—Terry A Wallace

(74) *Attorney, Agent, or Firm*—McHale & Slavin, P.A.

(**) Term: **14 Years**

(21) Appl. No.: **29/323,042**

(57) **CLAIM**

(22) Filed: **Aug. 15, 2008**

The ornamental design for an insulated soft side can and bottle cooler, as shown and described.

(51) **LOC (9) Cl.** **07-06**

(52) **U.S. Cl.** **D7/607; D7/624.2**

(58) **Field of Classification Search** D7/605,
D7/607, 619.1–625; 220/737, 739, 902,
220/903; 215/392, 393, 395; 62/457.1–457.7;
211/74; 248/311.2

See application file for complete search history.

DESCRIPTION

FIG. 1 is a top perspective view of the insulated soft side can and bottle cooler of the instant invention;

FIG. 2 is a left side view thereof, the right side view being a mirror image thereof;

FIG. 3 is a front view thereof;

FIG. 4 is a rear view thereof;

FIG. 5 is a top view thereof;

FIG. 6 is a bottom thereof; and,

FIG. 7 is a top perspective environmental view thereof.

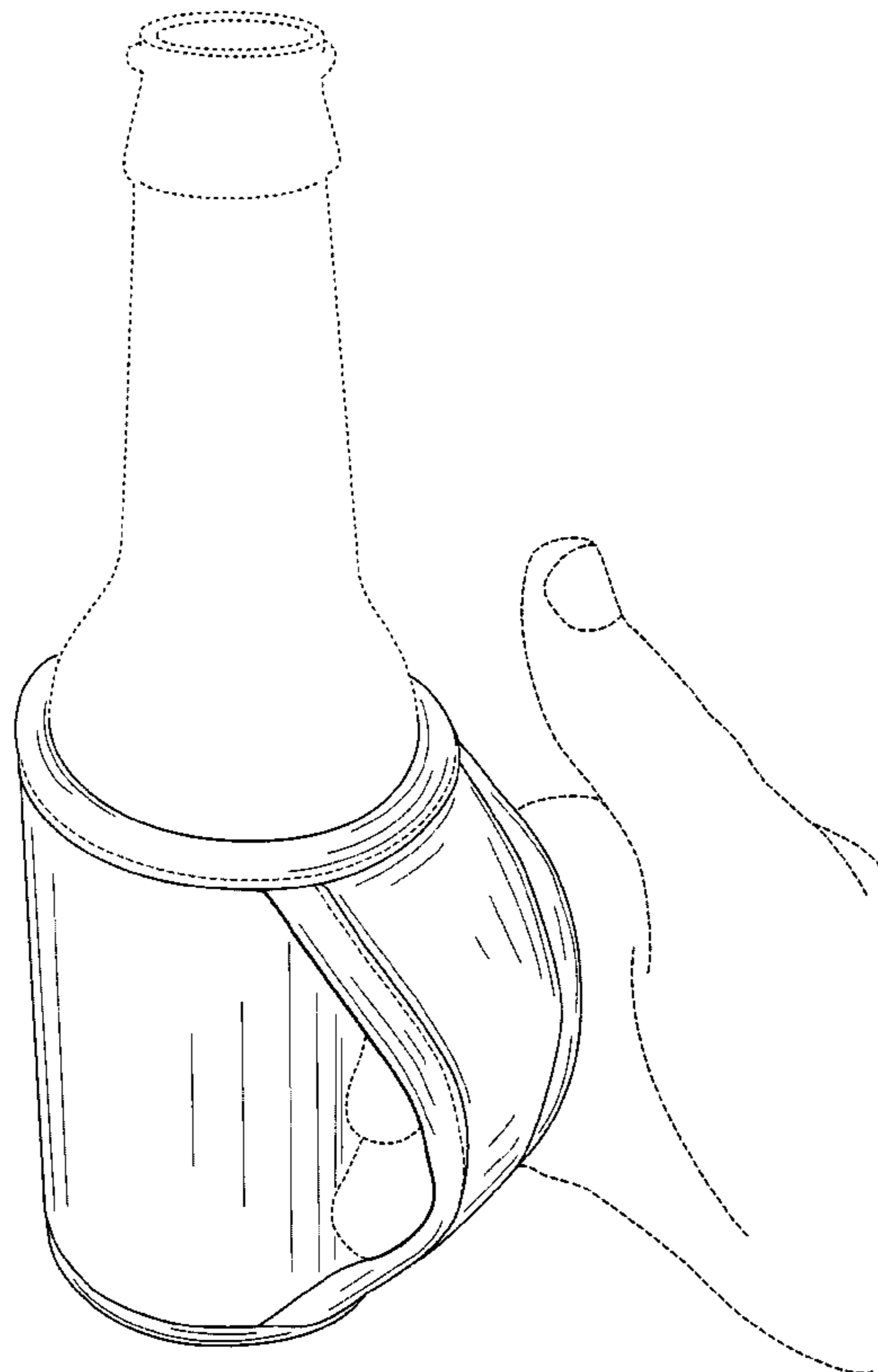
The portions of the Figures shown in broken lines are for environmental purposes only and form no part of the claimed design.

(56) **References Cited**

U.S. PATENT DOCUMENTS

4,344,303	A *	8/1982	Kelly, Jr.	220/902
4,540,611	A *	9/1985	Henderson	220/903
4,802,602	A *	2/1989	Evans et al.	220/739
4,986,089	A *	1/1991	Raab	62/457.4
D377,741	S *	2/1997	Bennett et al.	D7/622
D399,707	S *	10/1998	Villarreal et al.	D7/607
6,019,245	A *	2/2000	Foster et al.	220/739
6,029,847	A *	2/2000	Mahoney et al.	220/739

1 Claim, 6 Drawing Sheets



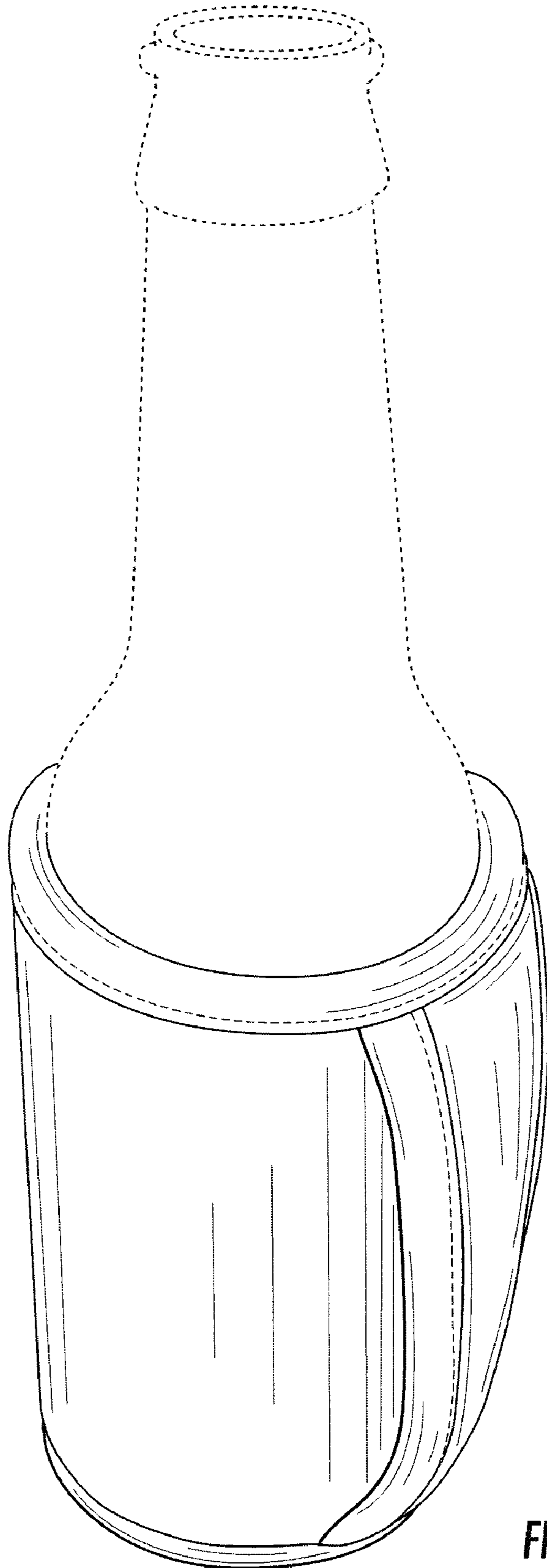


FIG. 1

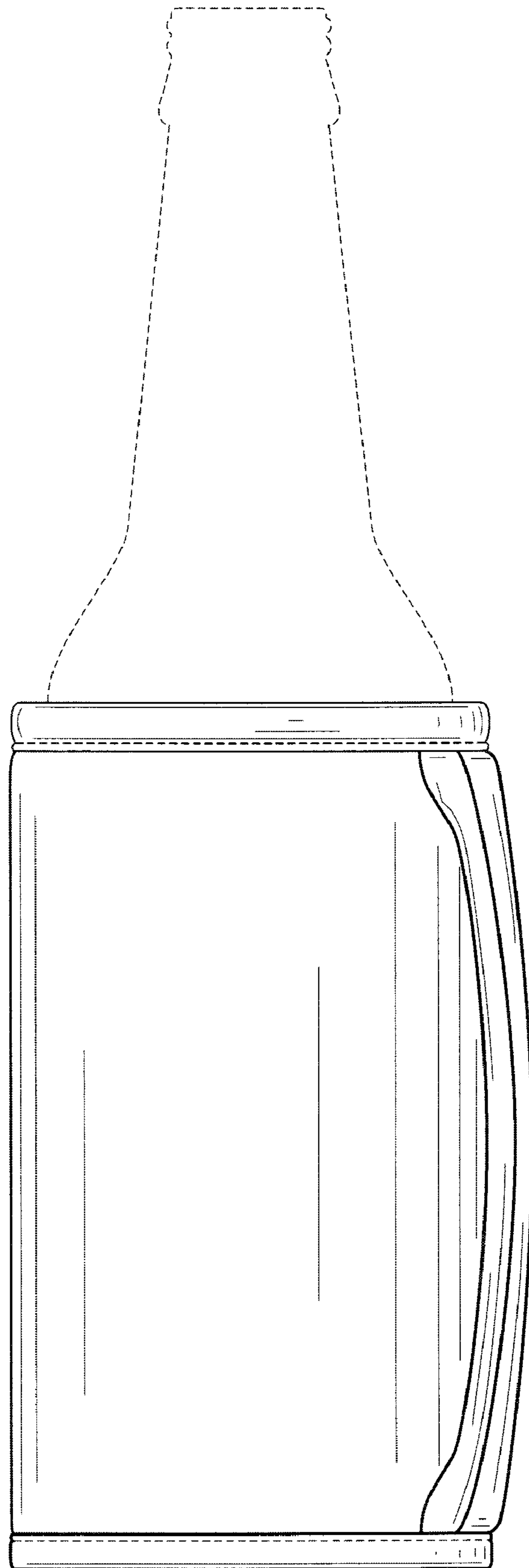


FIG. 2

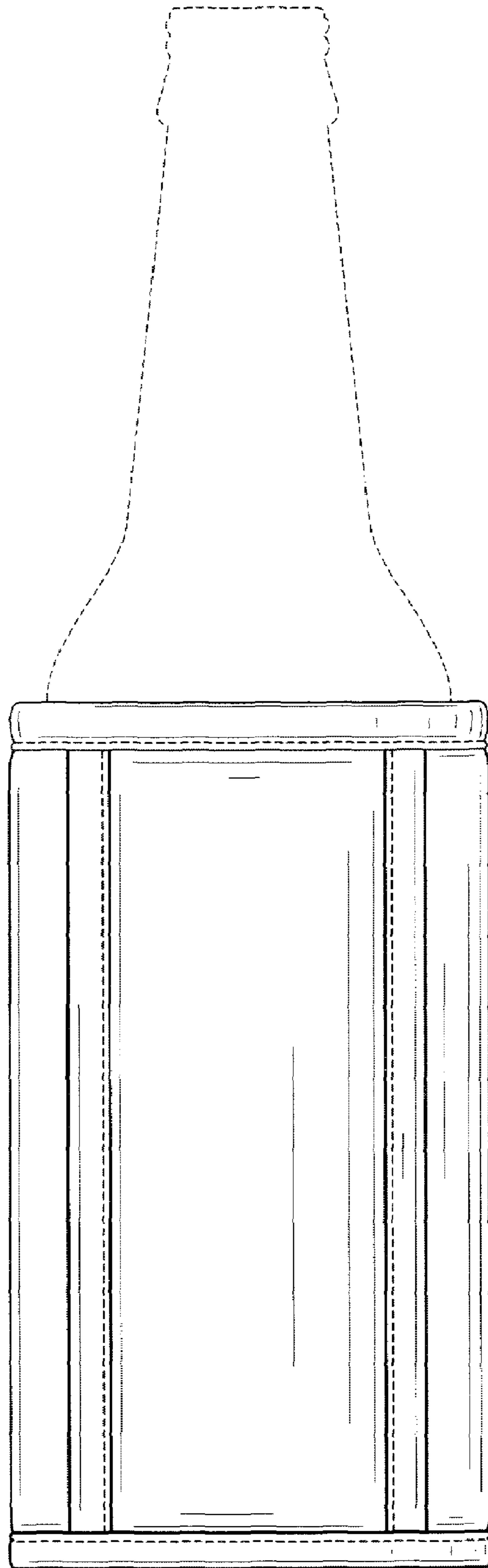


FIG. 3

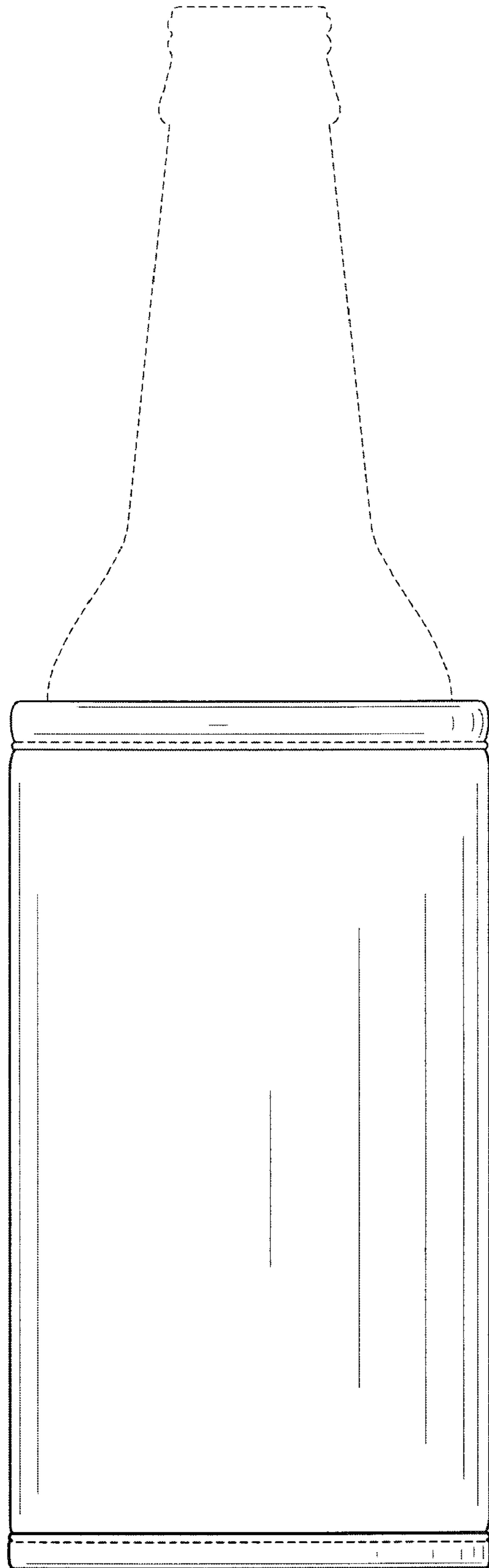


FIG. 4

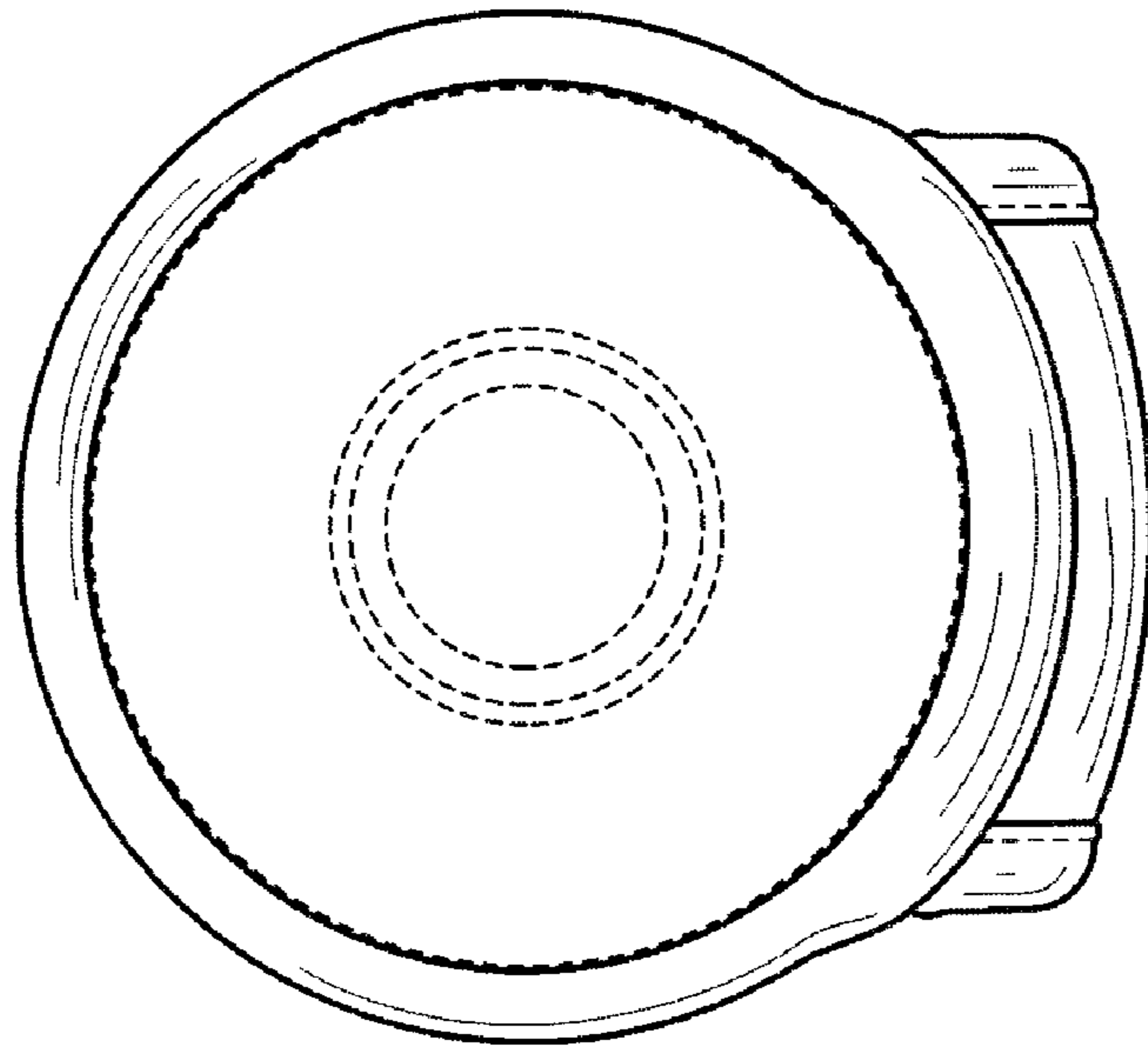


FIG. 5

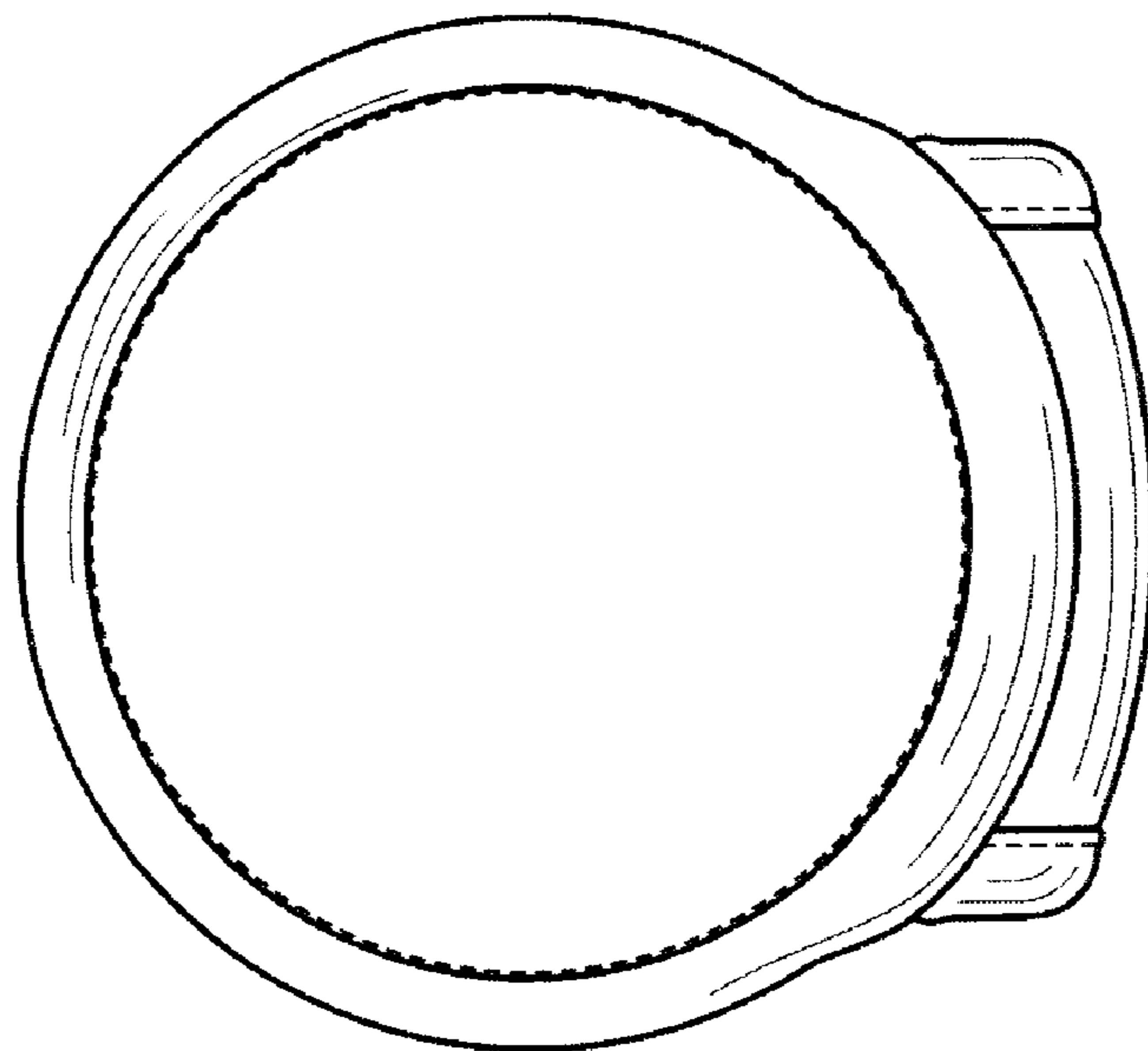


FIG. 6

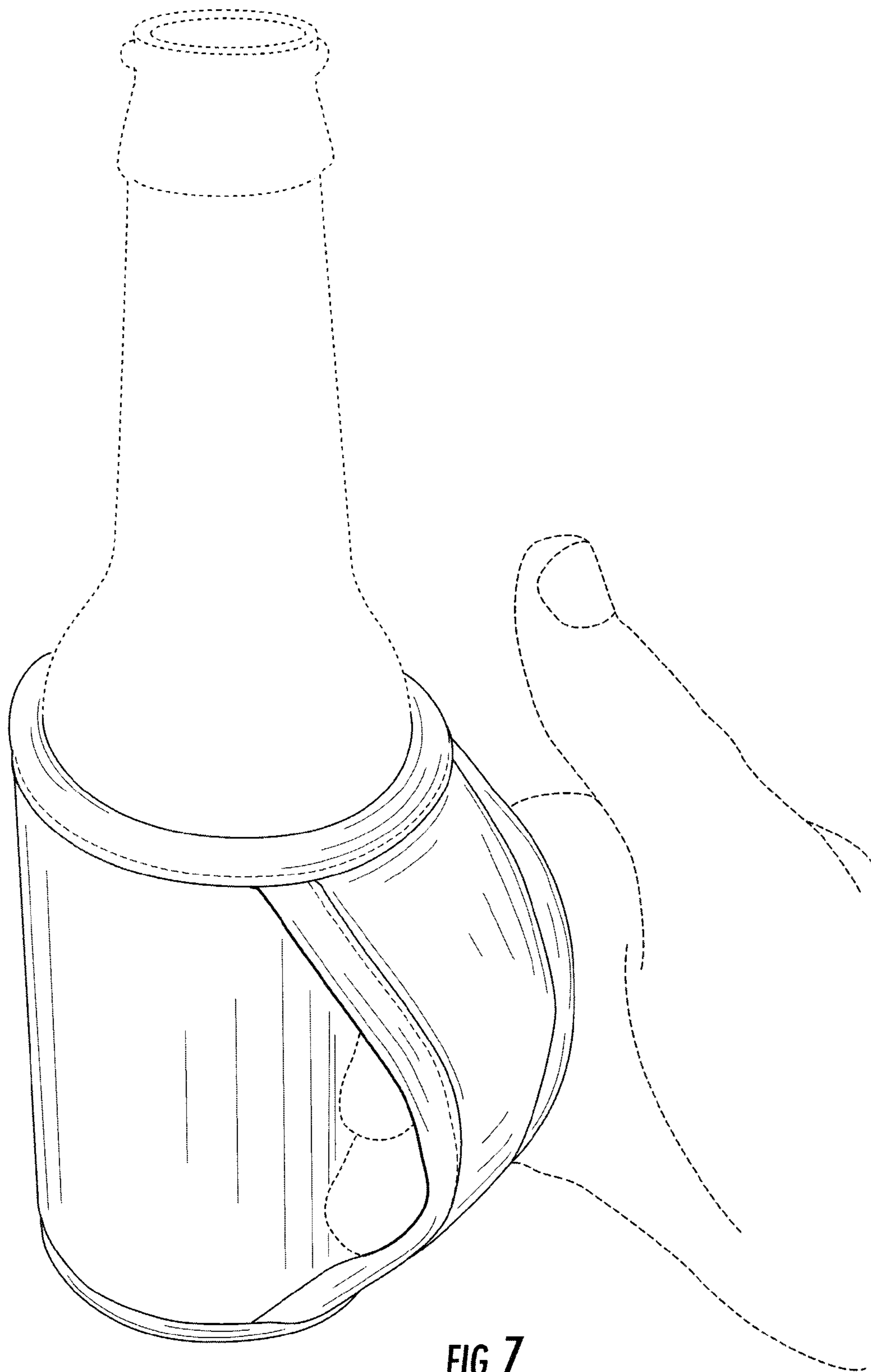


FIG. 7