



US00D595984S

(12) **United States Design Patent**
Kollman et al.

(10) **Patent No.:** **US D595,984 S**
(45) **Date of Patent:** **** Jul. 14, 2009**

(54) **HEADRAIL FOR WINDOW COVERINGS**

(75) Inventors: **Michael Kollman**, Fitchburg, WI (US);
Nicholas J. Schultz, Columbus, WI (US)

(73) Assignee: **Lumino, Inc.**, Madison, WI (US)

(**) Term: **14 Years**

(21) Appl. No.: **29/329,413**

(22) Filed: **Dec. 15, 2008**

(51) **LOC (9) Cl.** **06-10**

(52) **U.S. Cl.** **D6/580**

(58) **Field of Classification Search** D6/575,
D6/576, 577, 580; D8/377; D25/119; 160/38,
160/39, 168 R

See application file for complete search history.

(56) **References Cited**

U.S. PATENT DOCUMENTS

D337,469 S	7/1993	Young et al.	
D345,498 S *	3/1994	Fraser et al.	D8/377
5,533,560 A	7/1996	Morris	
D440,100 S *	4/2001	Horsten	D6/580
D440,444 S *	4/2001	Sonnenberg et al.	D6/580
D443,168 S *	6/2001	Horsten	D6/580
D443,457 S *	6/2001	Horsten	D6/580
D443,788 S *	6/2001	Horsten	D6/580
D455,336 S *	4/2002	Anderson	D8/377
6,532,625 B1	3/2003	Stone	
D487,662 S	3/2004	Ward et al.	

D488,945 S *	4/2004	Bibby et al.	D6/580
D494,401 S *	8/2004	Davies et al.	D6/580
D495,808 S *	9/2004	Habeck et al.	D25/119
7,143,802 B2	12/2006	Strand et al.	
D567,002 S *	4/2008	Allsopp	D6/580
2006/0021718 A1	2/2006	Franssen	

* cited by examiner

Primary Examiner—Robert M Spear

Assistant Examiner—Barbara B Lohr

(74) *Attorney, Agent, or Firm*—Buchanan Ingersoll & Rooney PC

(57) **CLAIM**

The ornamental design for a headrail for window coverings, as shown and described.

DESCRIPTION

FIG. 1 is a perspective view of our headrail for window coverings;

FIG. 2 is a right end view thereof, the left end view being a mirror image of the right end view;

FIG. 3 is a front view thereof,

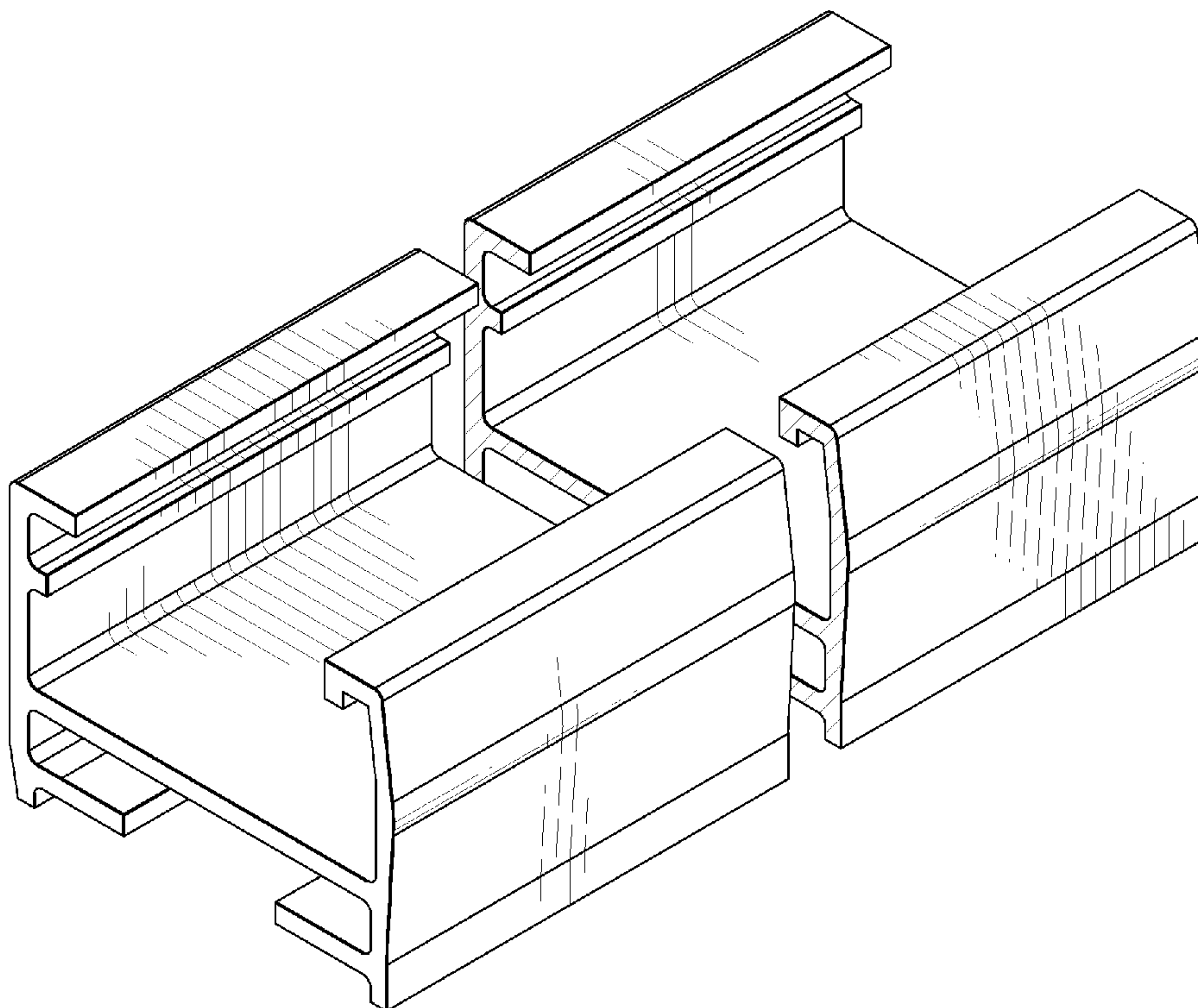
FIG. 4 is a rear view thereof;

FIG. 5 is a top view thereof; and,

FIG. 6 is a bottom view thereof.

The broken away portion indicates the article has no particular length.

1 Claim, 3 Drawing Sheets



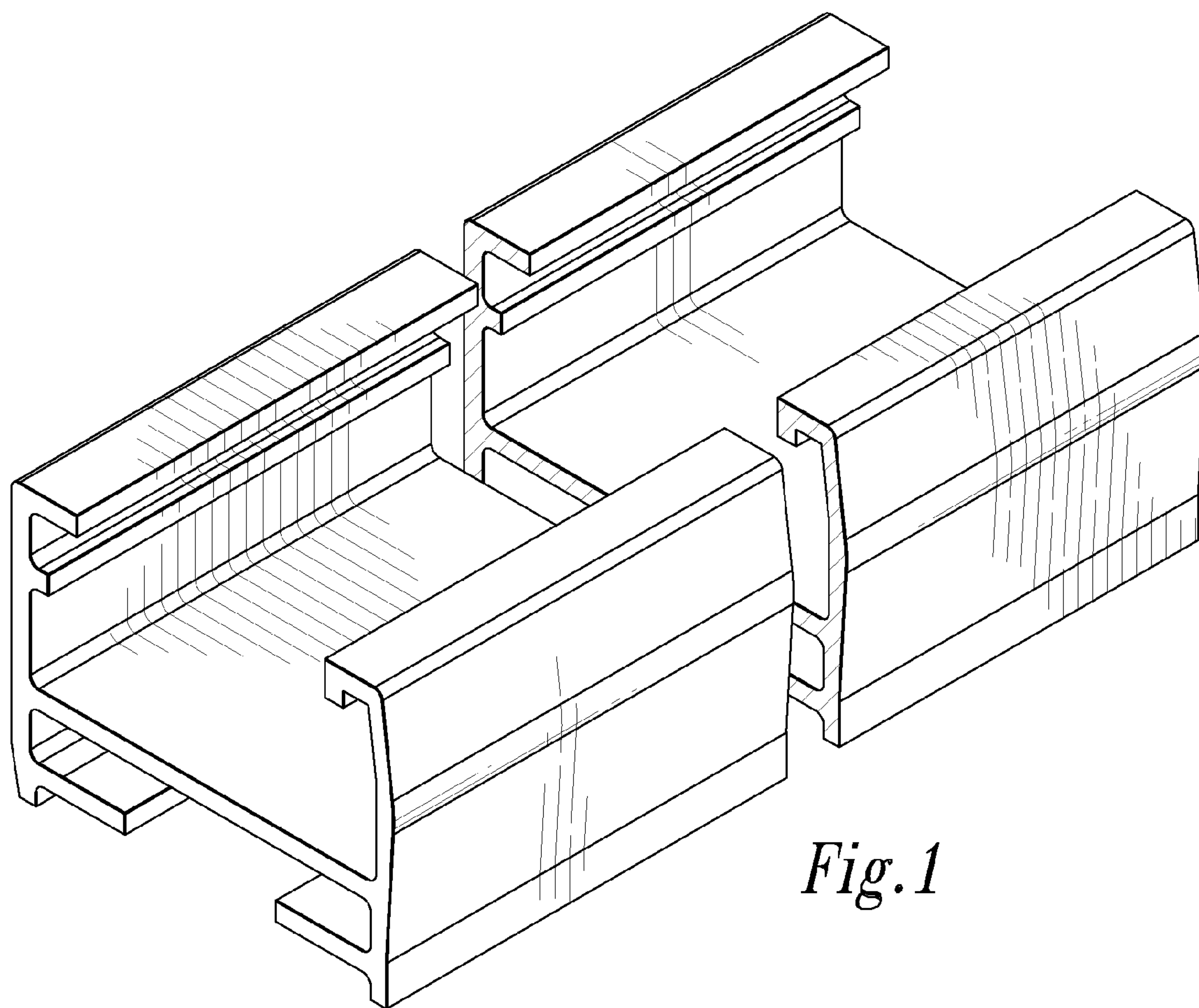


Fig. 1

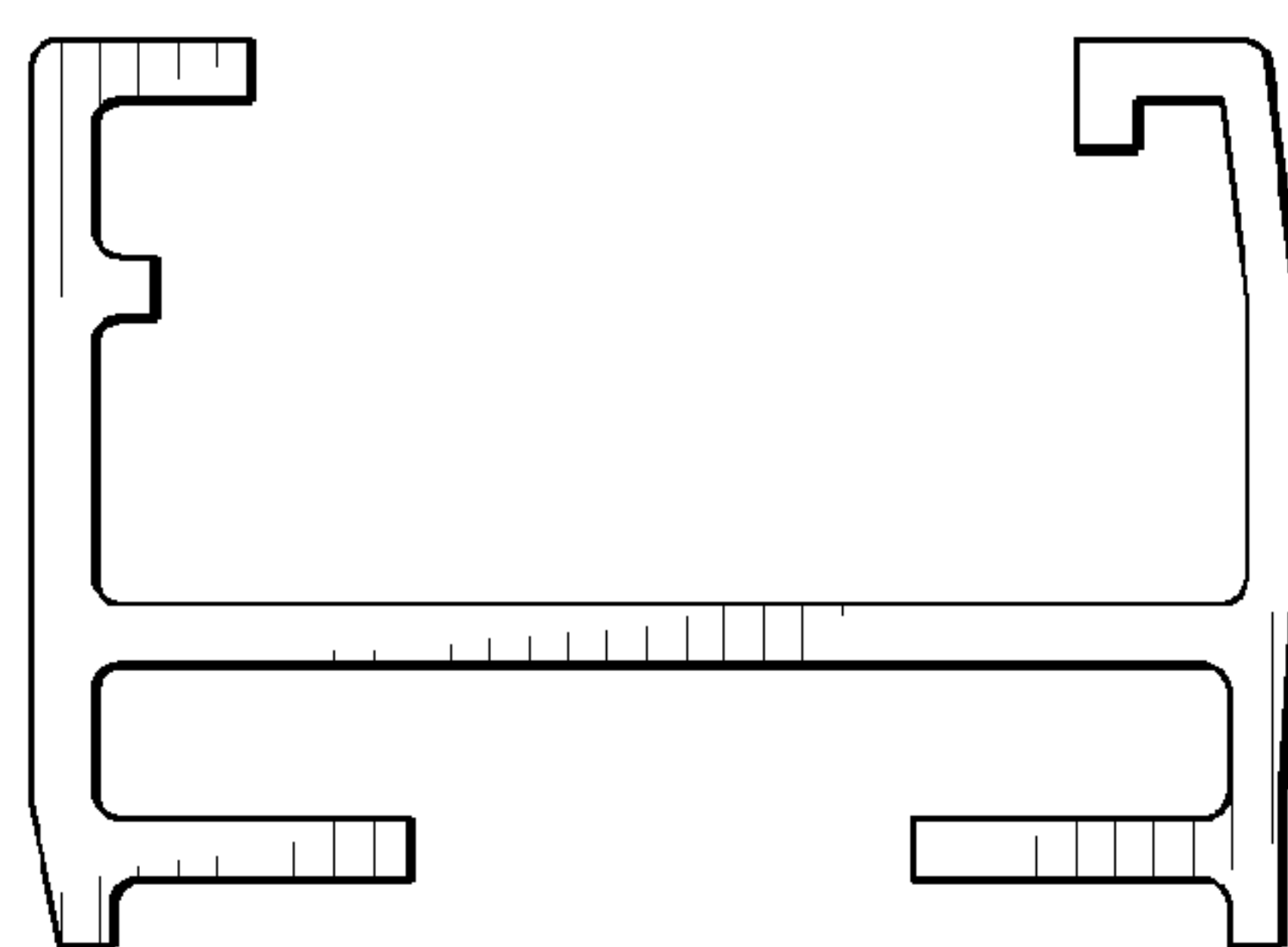


Fig. 2

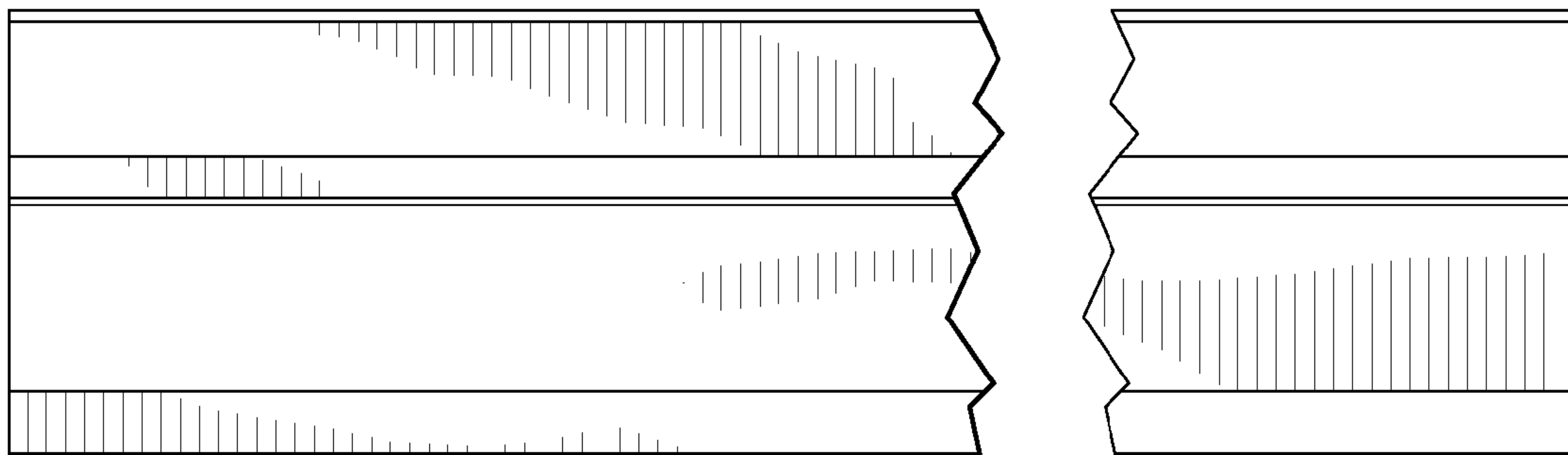


Fig. 3

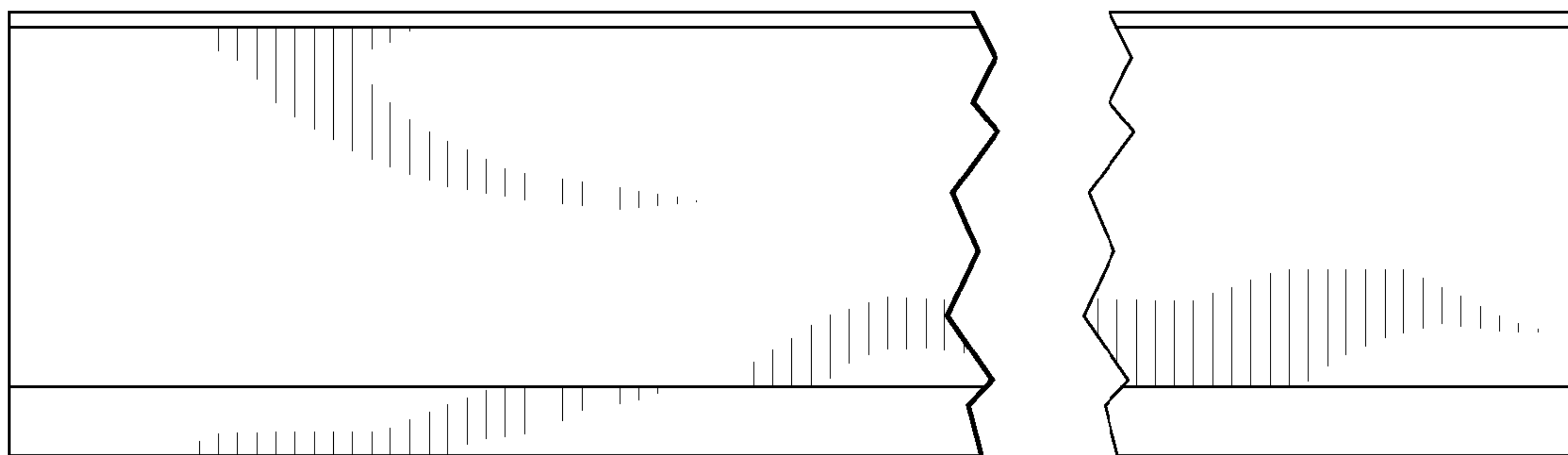


Fig. 4

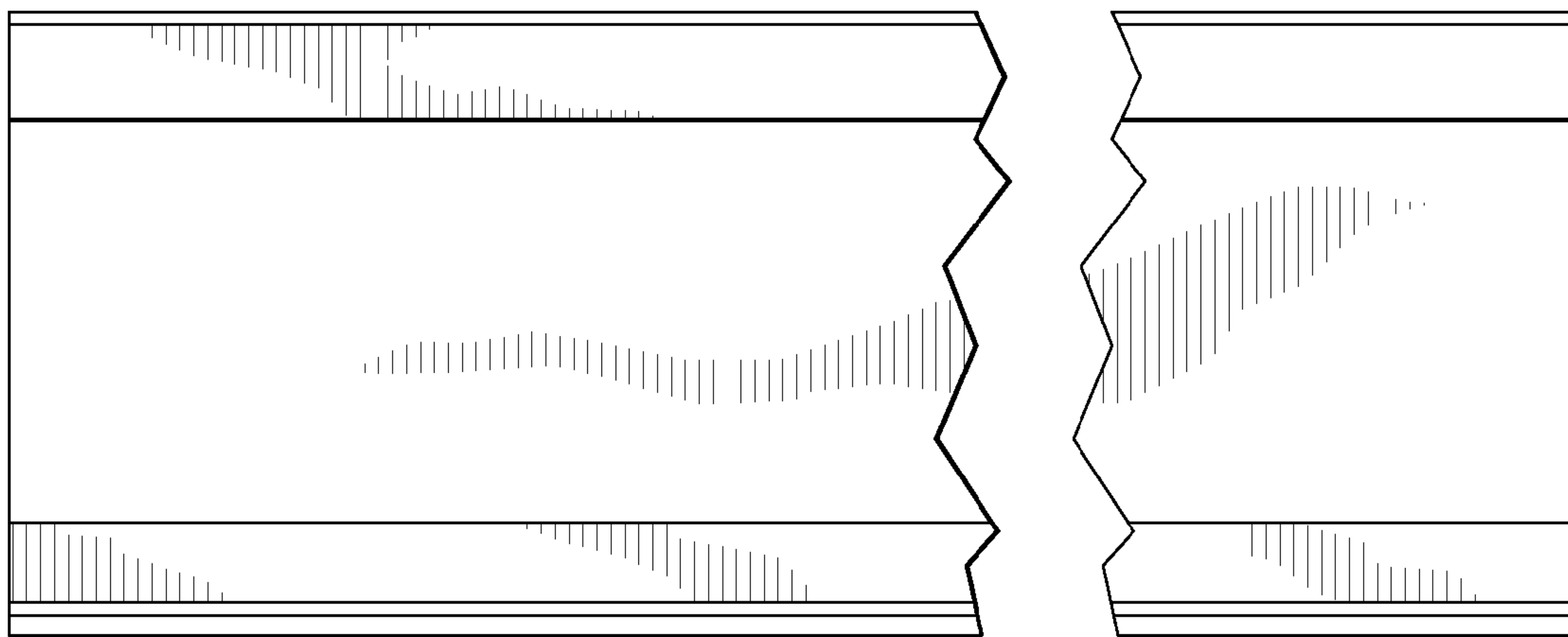


Fig. 5

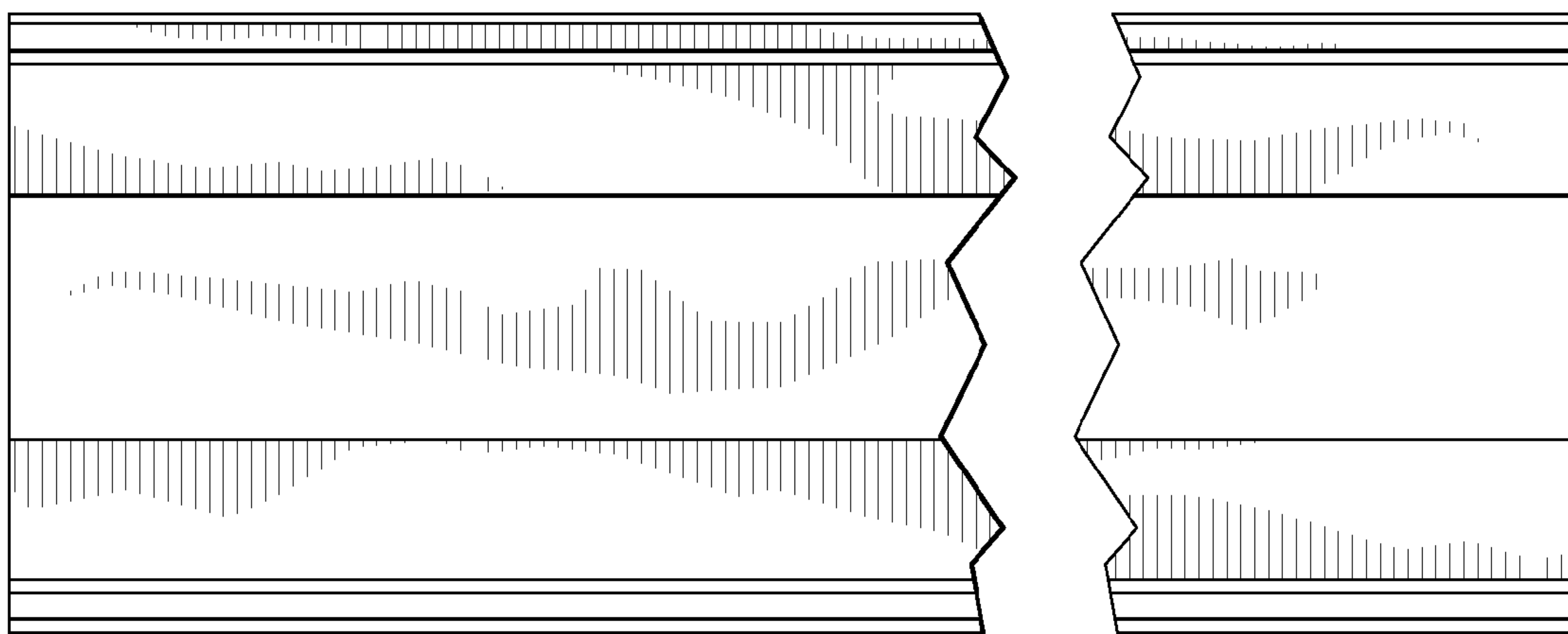


Fig. 6