



US00D595980S

(12) **United States Design Patent**
Walters

(10) **Patent No.:** **US D595,980 S**

(45) **Date of Patent:** **** Jul. 14, 2009**

(54) **ARM REST FOR COUCHES**

(76) **Inventor:** **Nadine Walters**, 4596 S. Songbird Dr.,
Lecanto, FL (US) 34461

(**) **Term:** **14 Years**

(21) **Appl. No.:** **29/310,691**

(22) **Filed:** **Sep. 4, 2008**

(51) **LOC (9) Cl.** **06-01**

(52) **U.S. Cl.** **D6/491**

(58) **Field of Classification Search** D6/334,
D6/341, 371, 372, 373, 374, 375, 381, 491,
D6/492, 500, 501, 502, 601; 297/232, 233,
297/239, 300.1, 311, 353, 445.1, 446.1, 448.1,
297/448.2, 452.11, DIG. 7, DIG. 8; 5/12.1,
5/12.2

See application file for complete search history.

(56) **References Cited**

U.S. PATENT DOCUMENTS

1,378,704 A	5/1921	McPartland	
3,074,762 A	1/1963	Kris	
D197,769 S *	3/1964	Malouf	D6/334
3,380,777 A *	4/1968	Bennett	297/440.22
3,807,801 A *	4/1974	Dalsgard	297/452.16
4,022,502 A	5/1977	Smith et al.	
D251,577 S *	4/1979	Petersen	D6/334
D281,655 S *	12/1985	Carter	D6/334
D282,423 S *	2/1986	Carter	D6/449
4,627,109 A *	12/1986	Carabelli et al.	2/44

D296,930 S *	7/1988	Carabelli	D24/190
D314,539 S *	2/1991	Swanner	D12/421
5,332,288 A *	7/1994	Coates	297/411.21
D376,345 S	12/1996	Hough	
5,605,374 A *	2/1997	Perry	297/227
5,738,414 A	4/1998	Wieland et al.	
D398,735 S *	9/1998	Bryant	D2/501
6,050,644 A	4/2000	Neal	
D432,807 S *	10/2000	Gollinucci	D6/381
D442,401 S	5/2001	Su	
D471,388 S	3/2003	Wang	
D514,349 S *	2/2006	Natuzzi	D6/381
D549,496 S *	8/2007	Stringfellow	D6/501
D552,398 S *	10/2007	Lakomy	D6/601

* cited by examiner

Primary Examiner—Sandra Snapp

(74) *Attorney, Agent, or Firm*—Robert C. Montgomery

(57) **CLAIM**

The ornamental design for an arm rest for couches, as shown and described.

DESCRIPTION

FIG. 1 is a perspective view of an arm rest for couches, as shown and described;

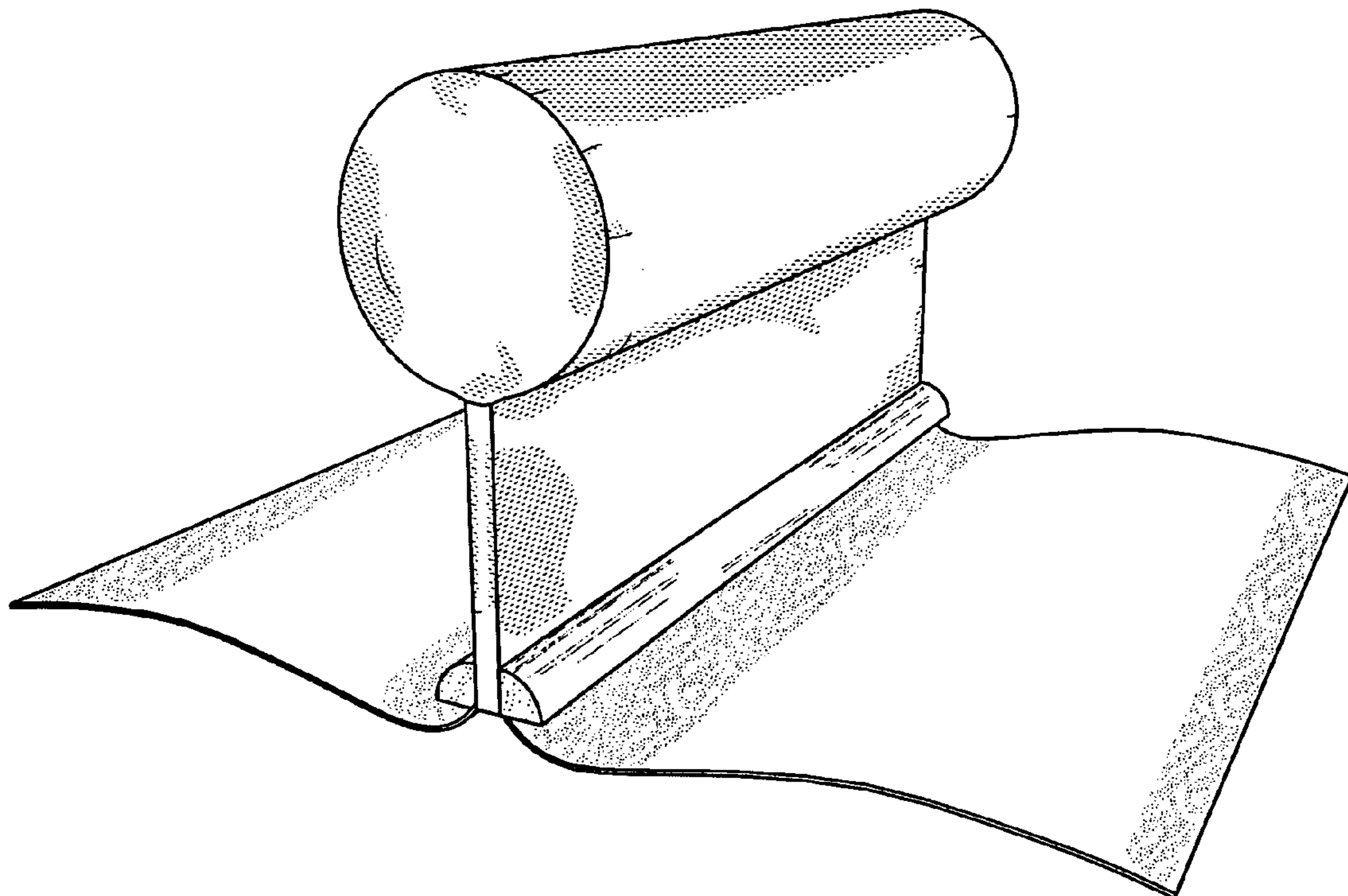
FIG. 2 is a front view thereof;

FIG. 3 is a side view thereof;

FIG. 4 is a top view thereof; and,

FIG. 5 is a bottom side view thereof.

1 Claim, 5 Drawing Sheets



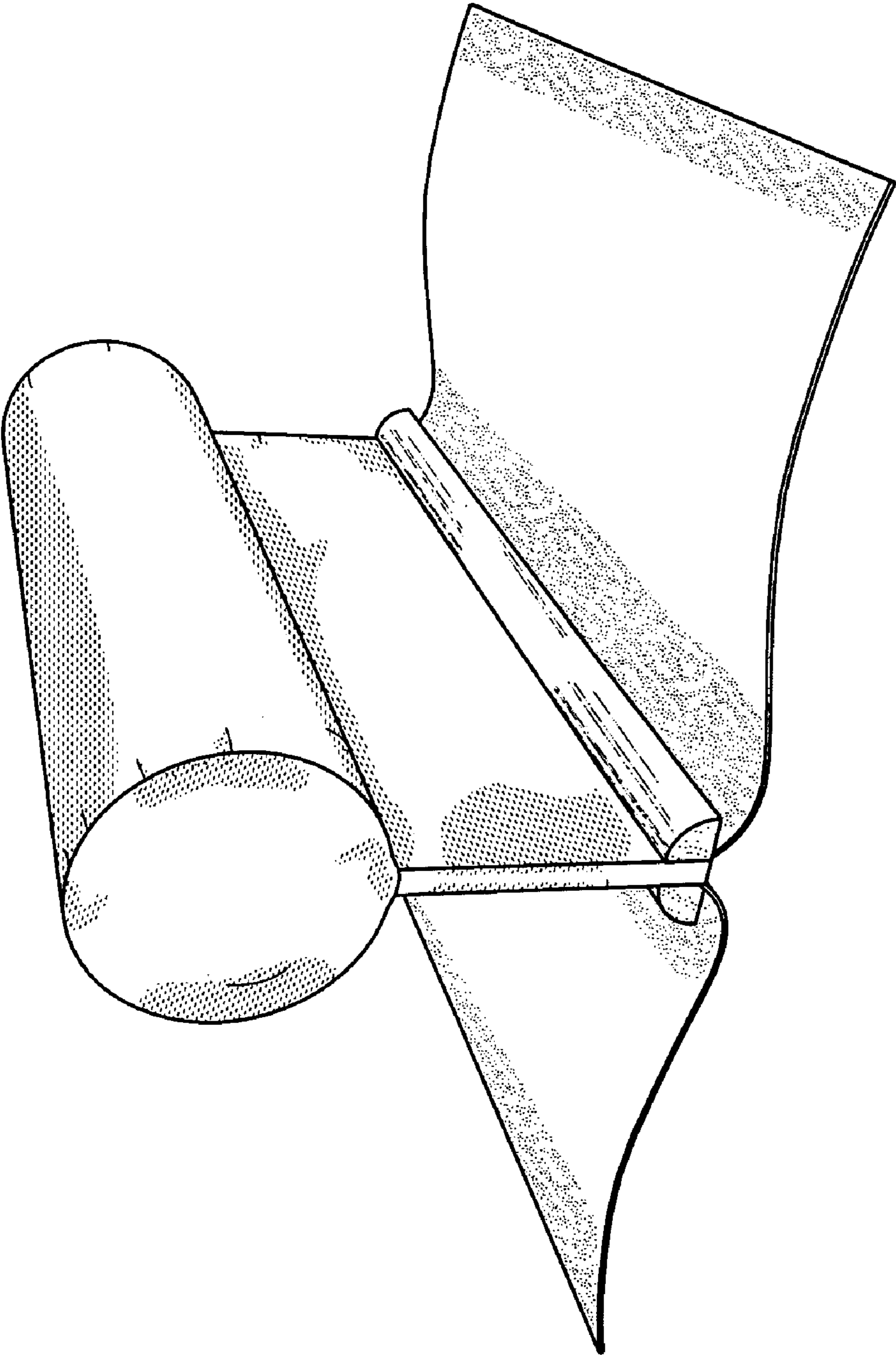


Fig. 1

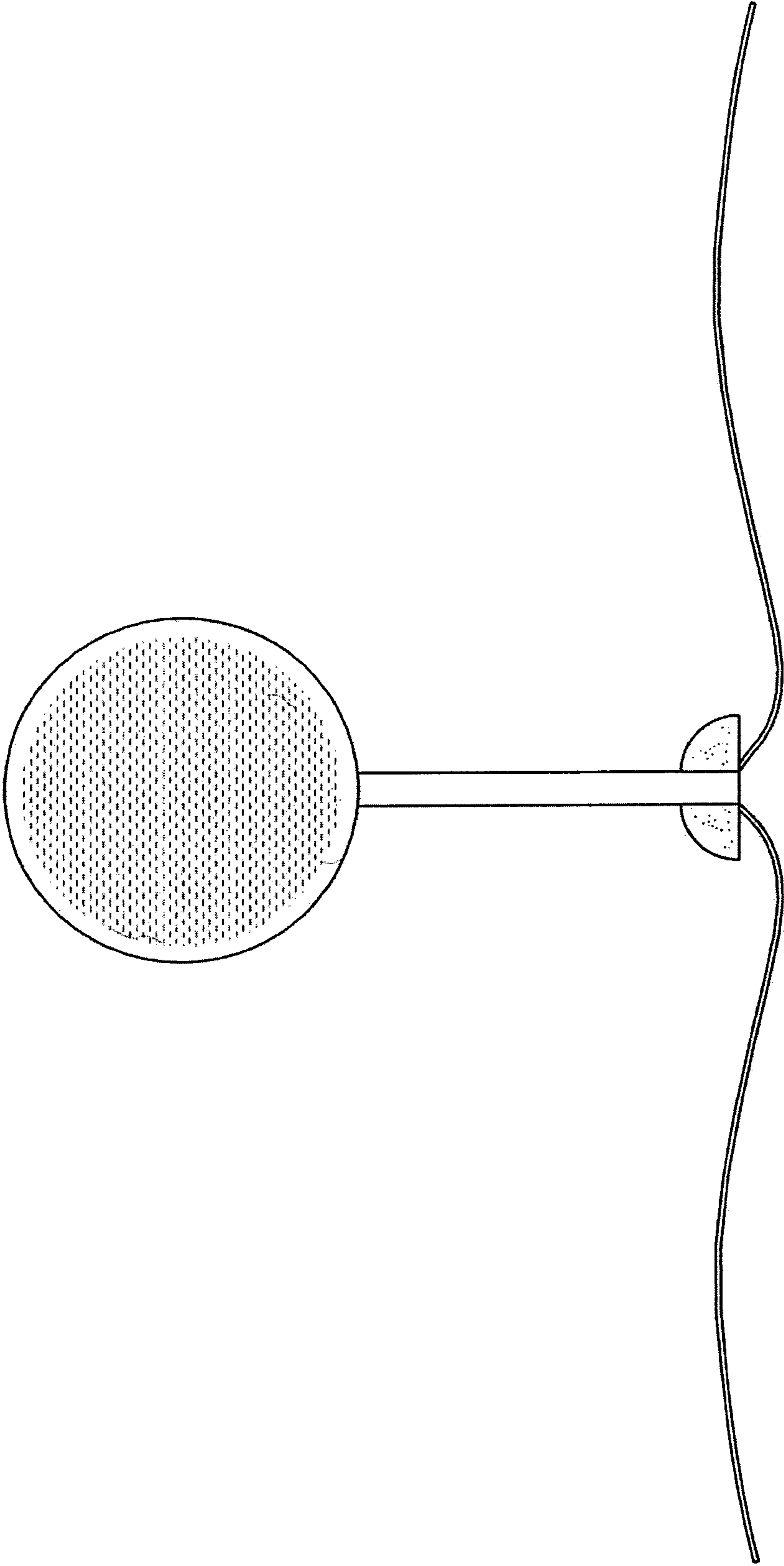


Fig. 2

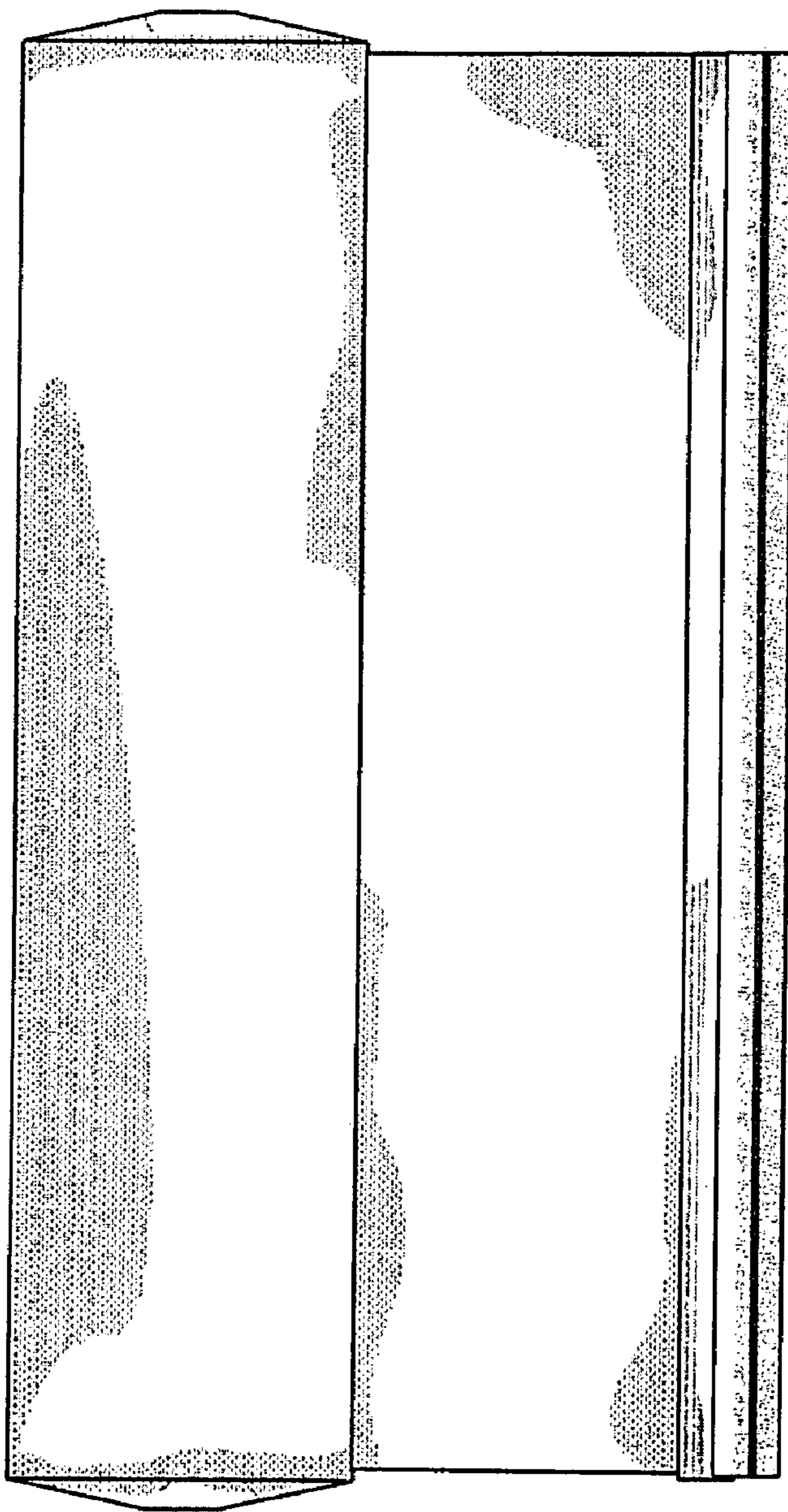


Fig. 3

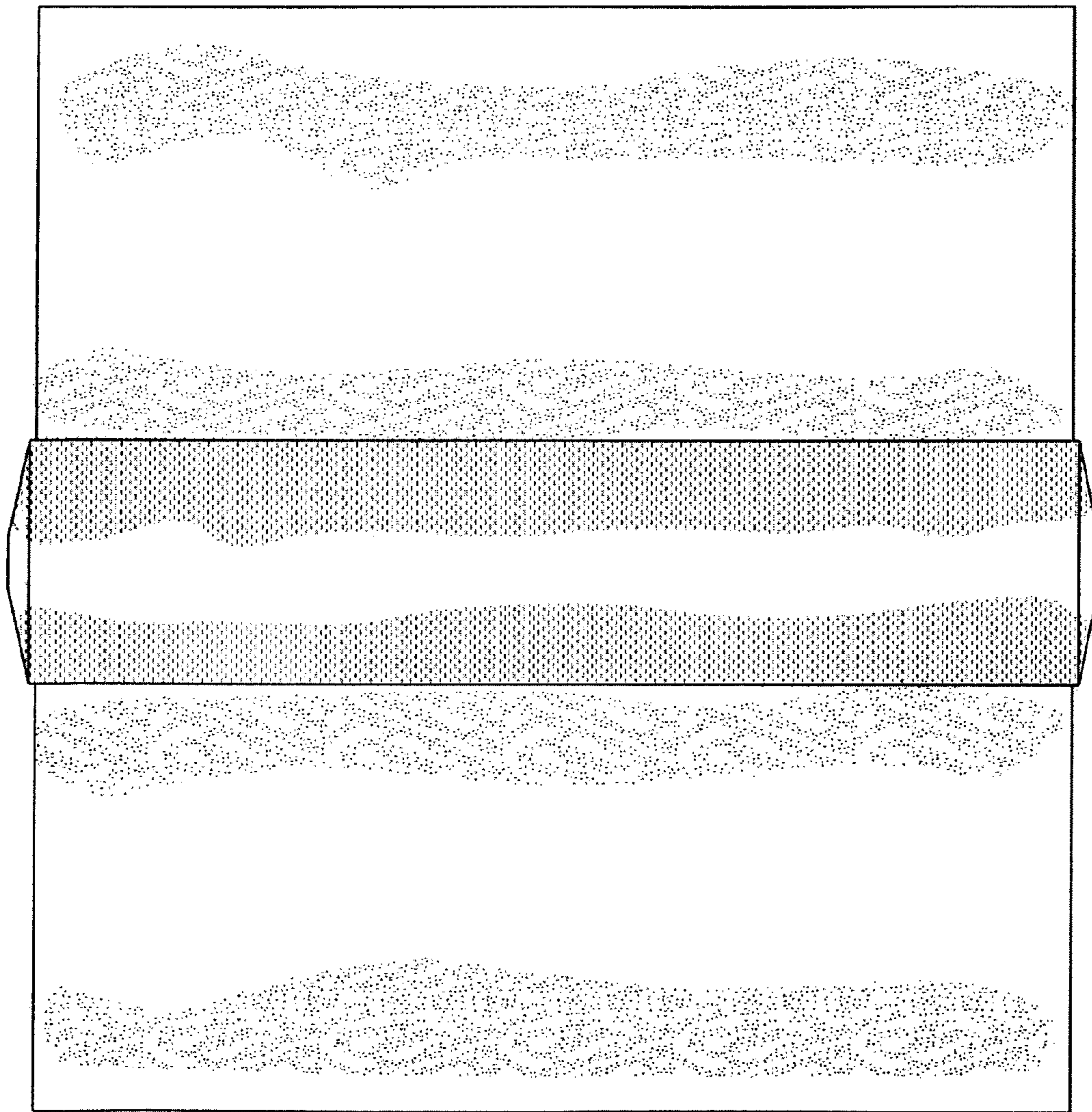


Fig. 4

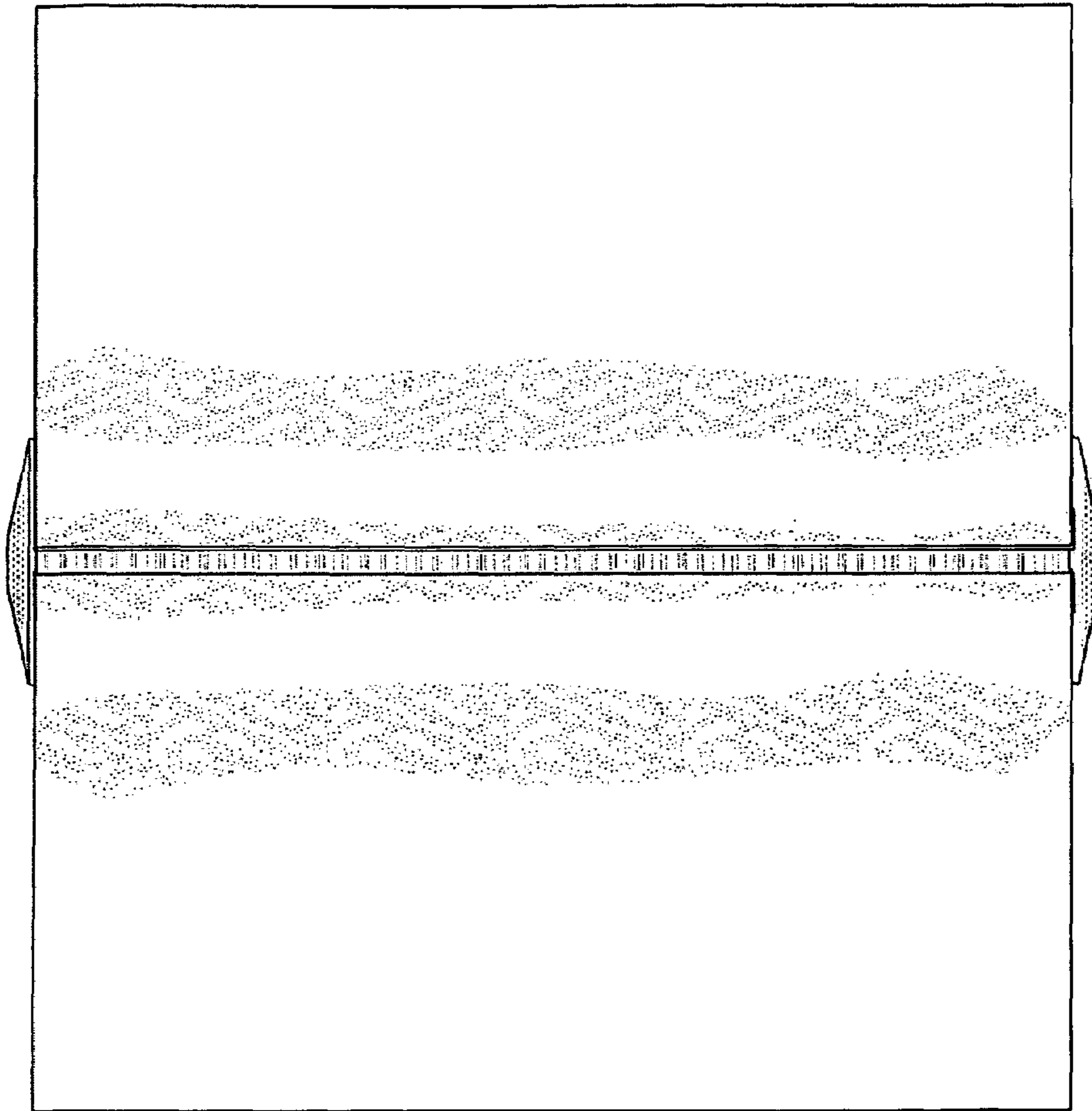


Fig. 5