



US00D595977S

(12) **United States Design Patent**  
**Stebbens et al.**

(10) **Patent No.:** **US D595,977 S**  
(45) **Date of Patent:** **\*\* Jul. 14, 2009**

(54) **FLAT SCREEN STAND**  
(75) Inventors: **Jason Andrew Stebbens**, West Yorkshire (GB); **Oliver Pearce Mitchell**, West Yorkshire (GB)  
(73) Assignee: **Off The Wall (UK) Limited** (GB)  
(\*\*) Term: **14 Years**  
(21) Appl. No.: **29/298,976**  
(22) Filed: **Dec. 17, 2007**

D458,053 S 6/2002 Luong  
D459,391 S 6/2002 Huang  
D495,163 S 8/2004 Weatherly  
D504,463 S 4/2005 Wehmeyer  
6,899,541 B2 5/2005 Kassai et al.  
D507,900 S 8/2005 Sexton  
D508,171 S 8/2005 Choo  
D517,349 S \* 3/2006 Lara ..... D6/477  
D537,656 S 3/2007 Lara  
D537,658 S 3/2007 Tung  
D539,565 S \* 4/2007 Sexton, III ..... D6/474  
D539,566 S 4/2007 Anderson  
D545,081 S 6/2007 Lara  
D564,261 S \* 3/2008 Sculler ..... D6/477  
D564,796 S \* 3/2008 Zambelli ..... D6/477  
D570,620 S \* 6/2008 Ongor ..... D6/479

**Related U.S. Application Data**

(62) Division of application No. 29/280,488, filed on May 30, 2007, now Pat. No. Des. 576,427.

\* cited by examiner

*Primary Examiner*—Caron Veynar  
*Assistant Examiner*—Kelley A Donnelly  
(74) *Attorney, Agent, or Firm*—Adams Intellectual Property Law, P.A.

(30) **Foreign Application Priority Data**

Nov. 30, 2006 (EM) ..... 630629-0001  
Nov. 30, 2006 (EM) ..... 630629-0002  
Nov. 30, 2006 (EM) ..... 630629-0003

(57) **CLAIM**

We claim the ornamental design for a flat screen stand, as shown and described.

(51) **LOC (9) Cl.** ..... **06-04**  
(52) **U.S. Cl.** ..... **D6/477**  
(58) **Field of Classification Search** ..... D6/477-479, D6/460-461; D14/239, 129, 126; 108/59, 108/96, 91-92; 211/40, 41.12, 42, 49.1, 211/50, 85.2; 312/9.1, 9.2, 46, 9.64, 9.8, 312/7.2

**DESCRIPTION**

FIG. 1 is a perspective view of the flat screen stand according to the invention;  
FIG. 2 is a front elevational view of the flat screen stand of FIG. 1;  
FIG. 3 is a side elevational view of the flat screen stand of FIG. 1;  
FIG. 4 is a rear elevational view of the flat screen stand of FIG. 1;  
FIG. 5 is a top plan view of the flat screen stand of FIG. 1; and,  
FIG. 6 is a bottom plan view of the flat screen stand of FIG. 1.

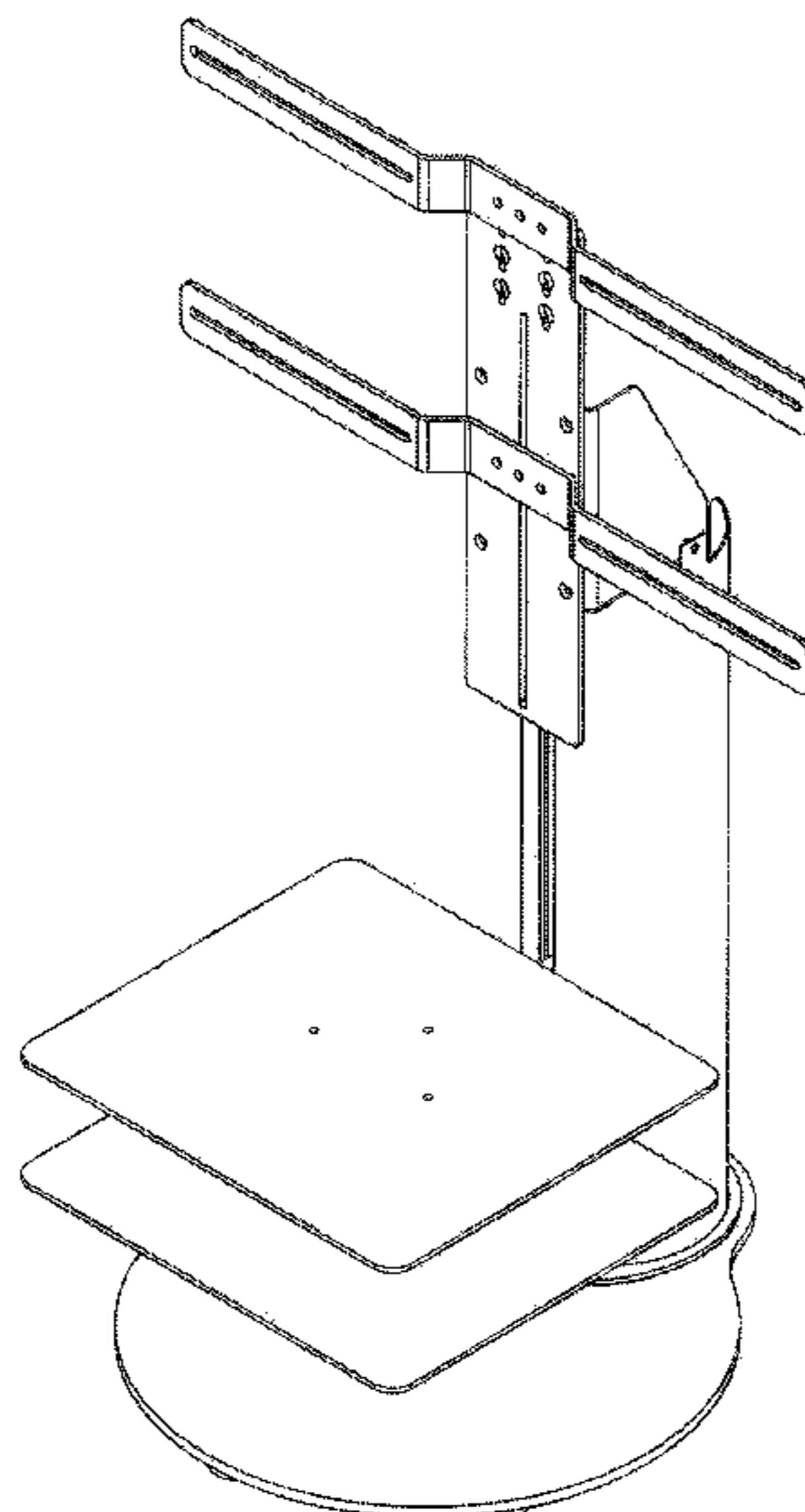
See application file for complete search history.

(56) **References Cited**

**U.S. PATENT DOCUMENTS**

D311,549 S 10/1990 Battisti  
D319,659 S 9/1991 Moor  
D330,288 S 10/1992 Rawson  
D401,410 S 11/1998 Wyant  
D414,800 S 10/1999 Wyant  
D435,591 S 12/2000 Wyant

**1 Claim, 6 Drawing Sheets**



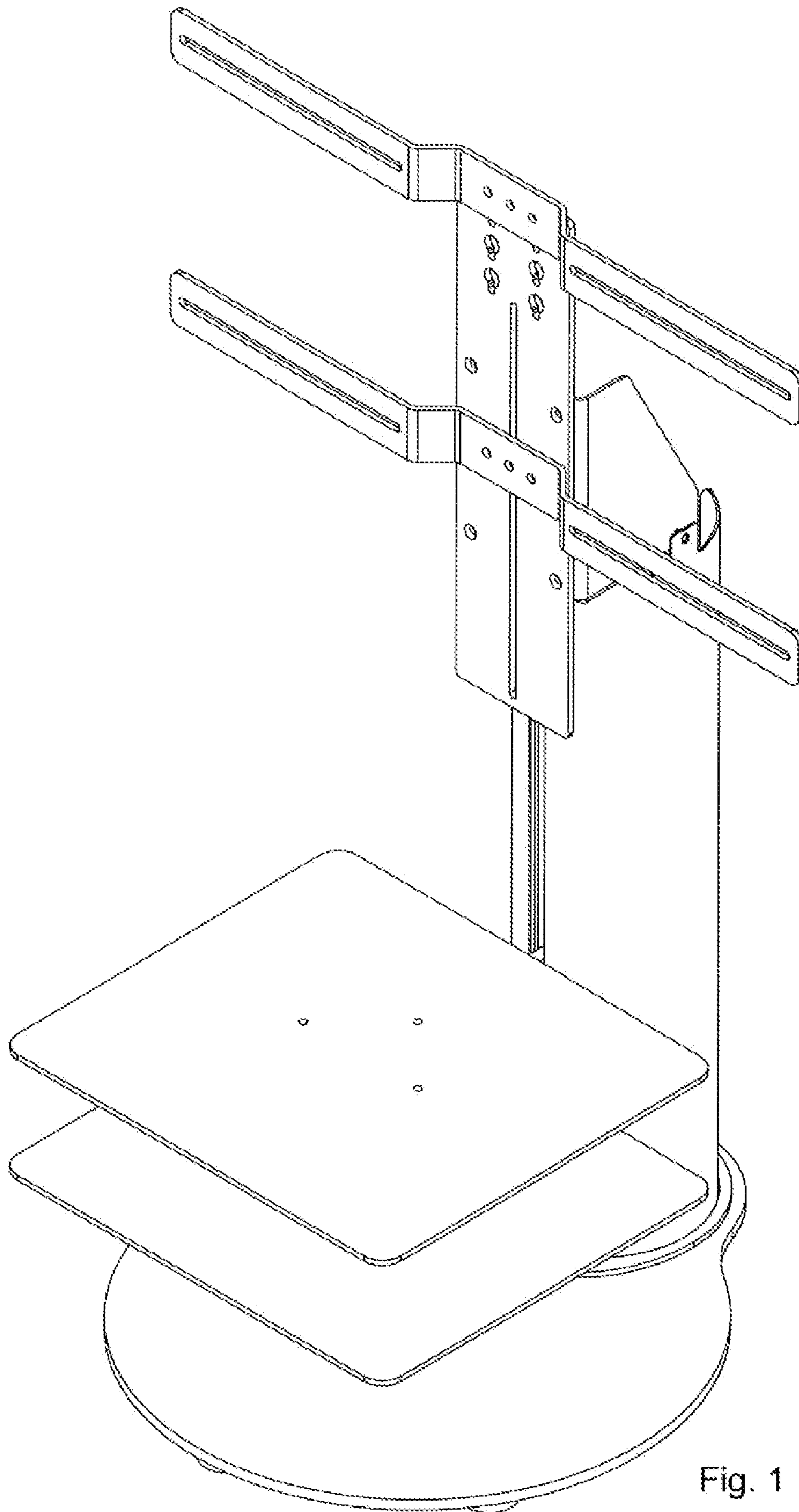


Fig. 1

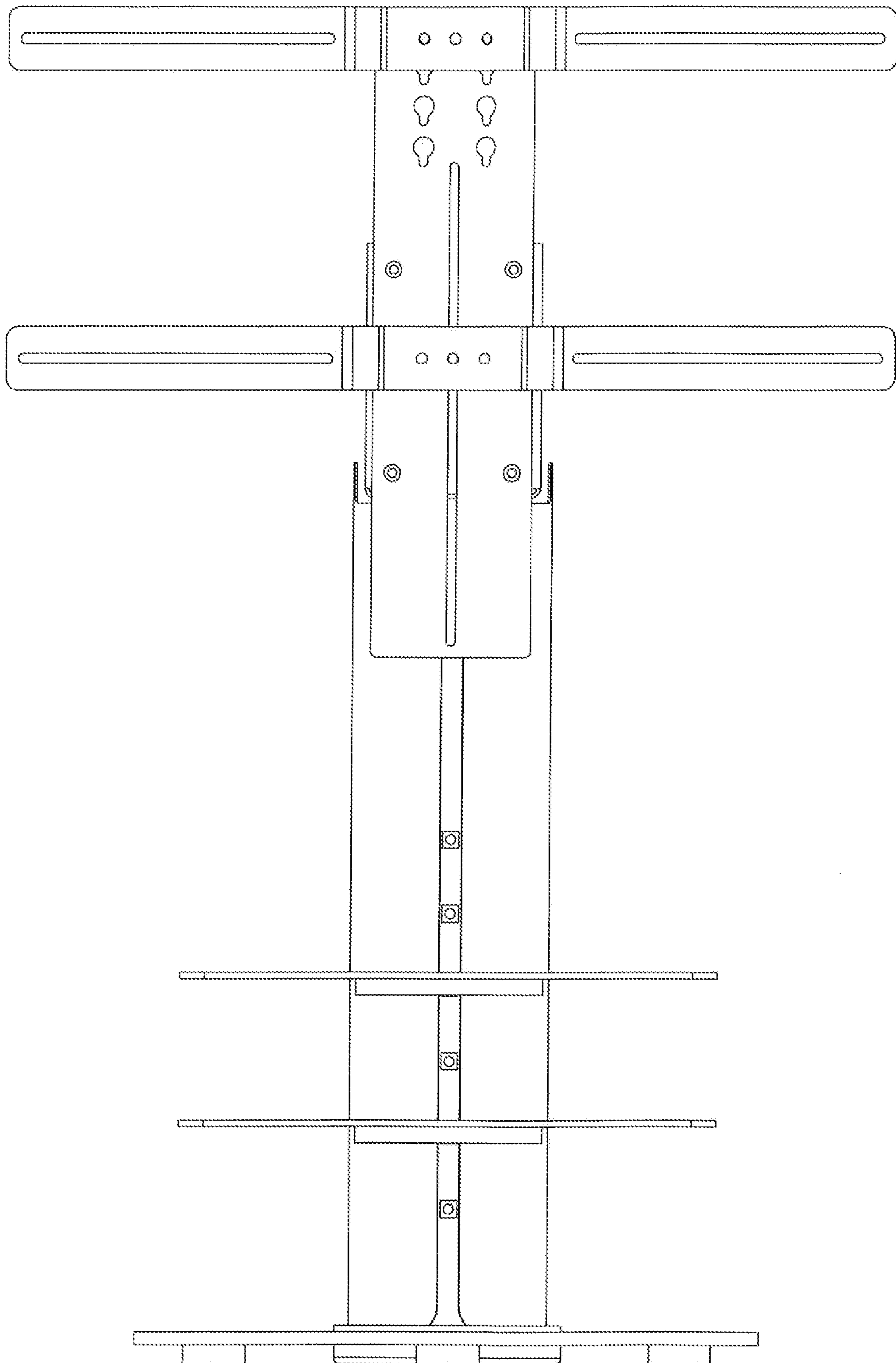


Fig. 2

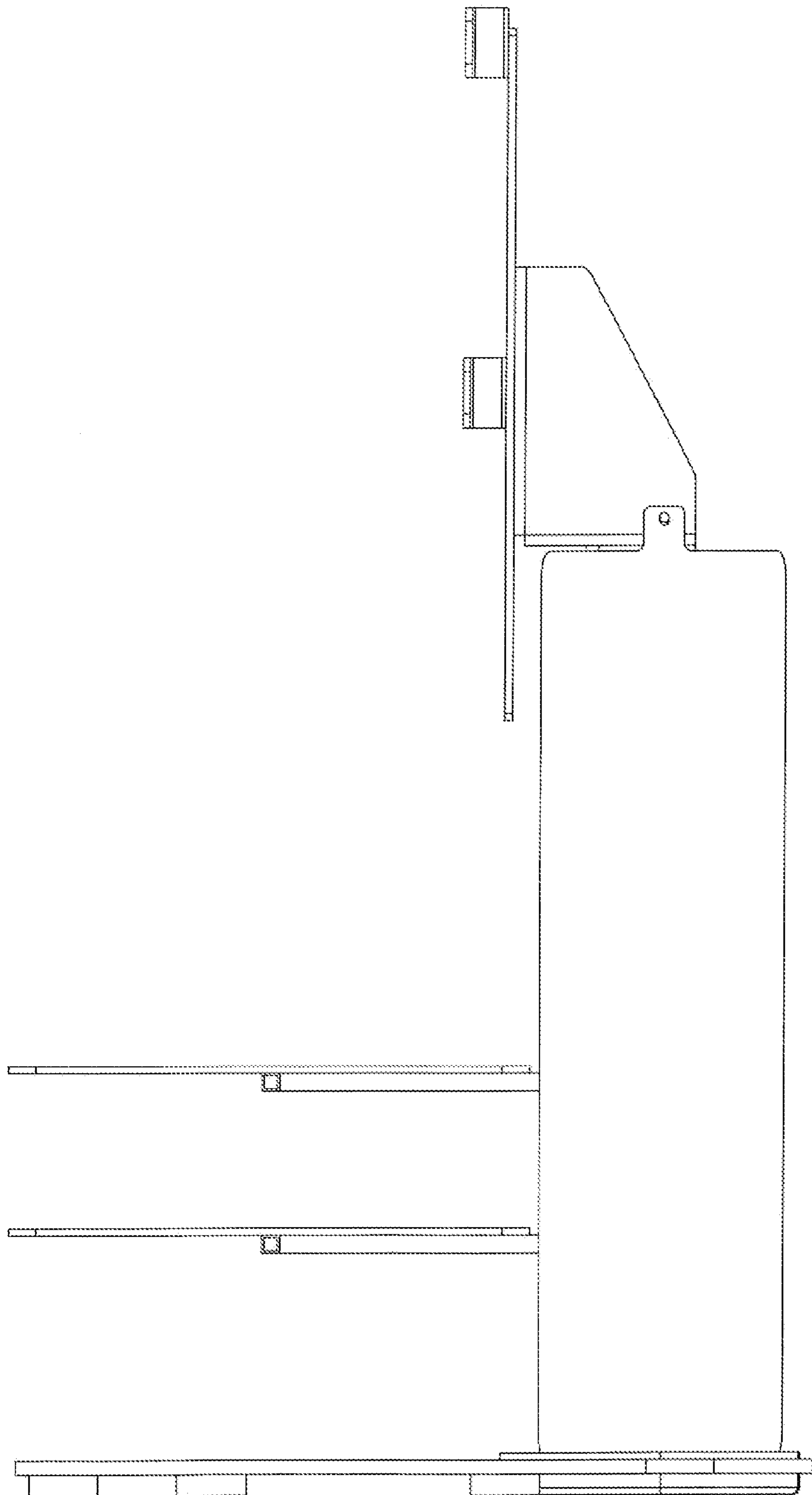


Fig. 3

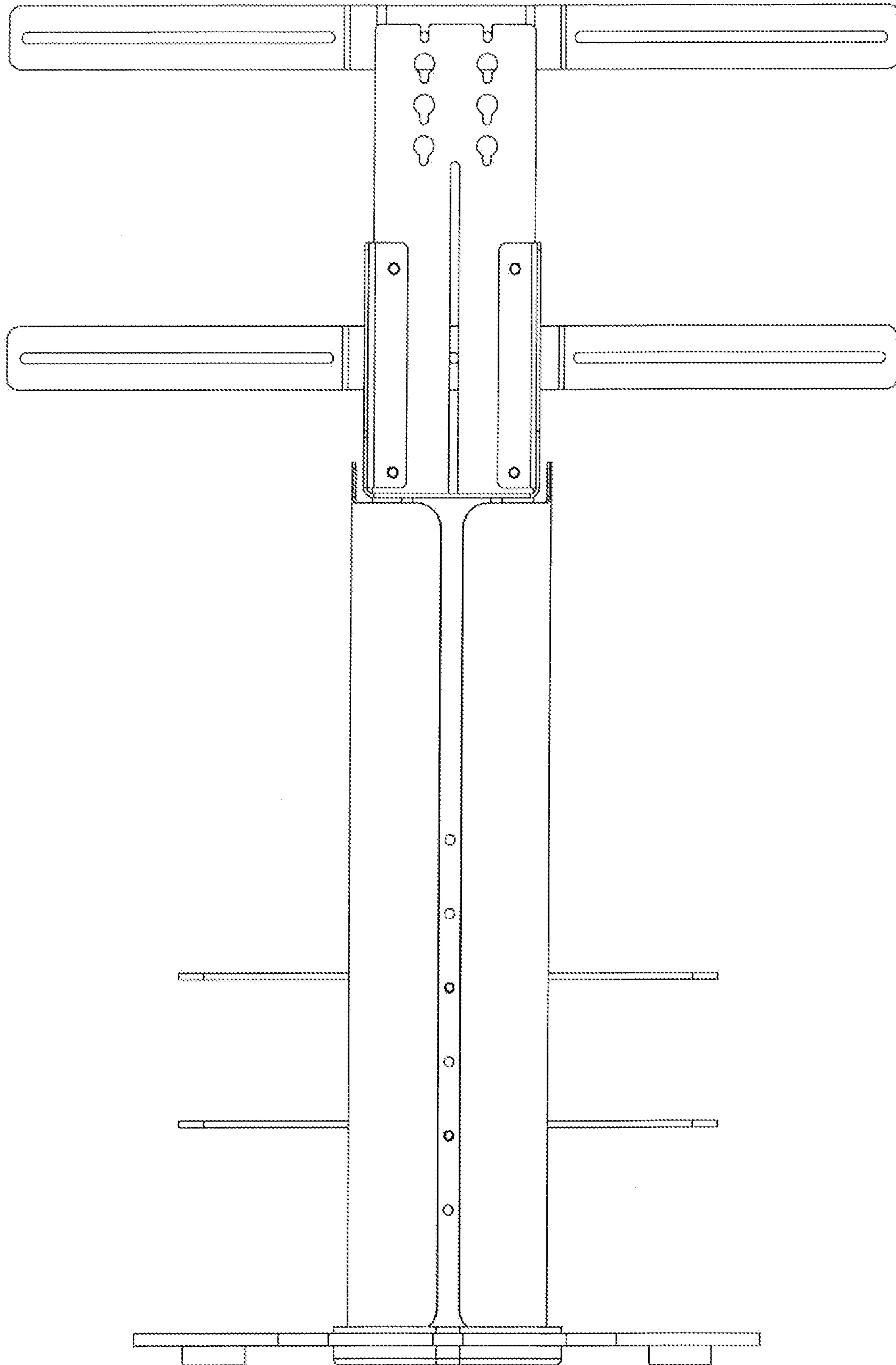
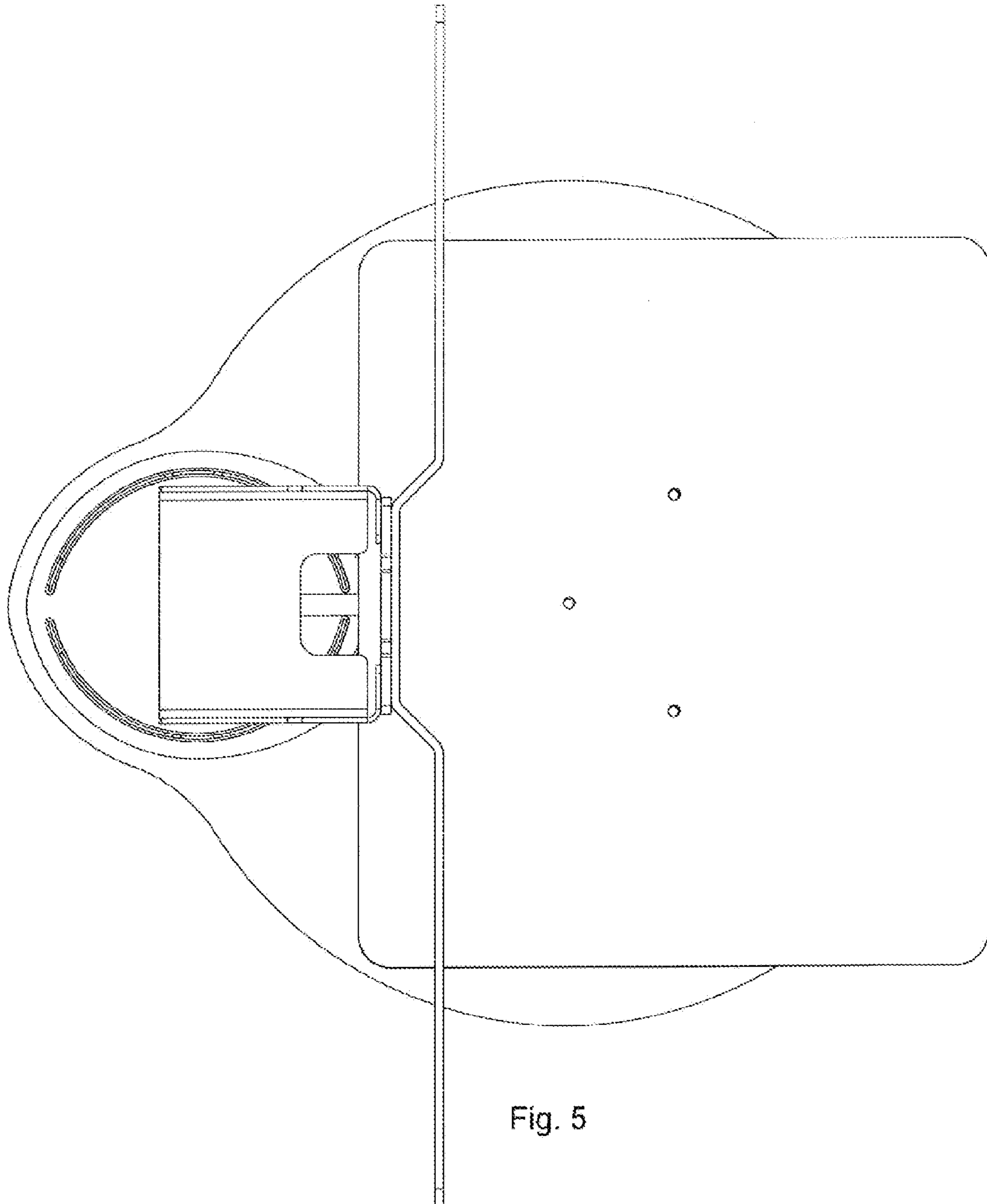


Fig. 4



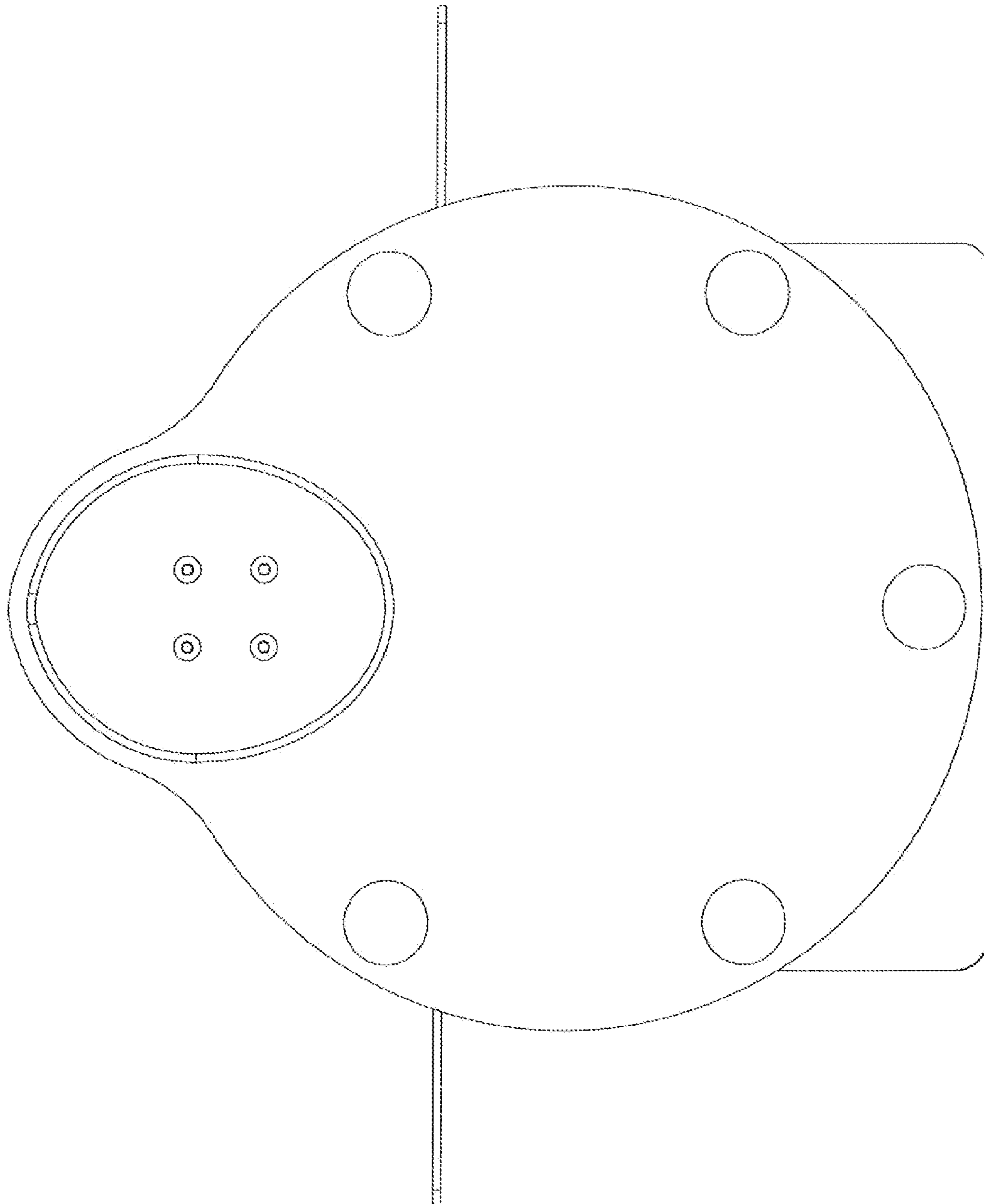


Fig. 6