



US00D595973S

(12) **United States Design Patent**  
**Skalka**

(10) **Patent No.:** **US D595,973 S**  
(45) **Date of Patent:** **\*\* Jul. 14, 2009**

- (54) **BENCH**
- (75) Inventor: **Gerald P. Skalka**, Potomac, MD (US)
- (73) Assignee: **Victor Stanley, Inc.**, Dunkirk, MD (US)
- (\*\*) Term: **14 Years**
- (21) Appl. No.: **29/309,773**
- (22) Filed: **Oct. 7, 2008**

D270,500 S 9/1983 Harper, Jr. et al.

(Continued)

\* cited by examiner

*Primary Examiner*—Sandra Snapp

(74) *Attorney, Agent, or Firm*—Jacobson Holman PLLC

(57) **CLAIM**

The ornamental design for a bench, as shown and described.

**Related U.S. Application Data**

- (62) Division of application No. 29/290,547, filed on Dec. 14, 2007, now Pat. No. Des. 586,144.
- (51) **LOC (9) Cl.** ..... **06-01**
- (52) **U.S. Cl.** ..... **D6/381**
- (58) **Field of Classification Search** ..... D6/334,  
D6/349, 355, 357, 367, 368, 370, 374–381,  
D6/500–502; 297/175, 232, 233, 283.2,  
297/283.3, 445.1, 448.1, 452.12, 452.38,  
297/452.48, 461, 462; 5/12.1, 12.2  
See application file for complete search history.

**DESCRIPTION**

FIG. 1 is an isometric view of a first embodiment of a bench showing my new design.

FIG. 2 is a right side elevational view of the bench of FIG. 1, the left side elevational view being a mirror image thereof.

FIG. 3 is a top plan view of the bench of FIG. 1.

FIG. 4 is a front elevational view of the bench of FIG. 1, the back elevational view being a mirror image thereof.

FIG. 5 is a bottom plan view of the bench of FIG. 1.

FIG. 6 is an isometric view of a second embodiment of a bench showing my new design.

FIG. 7 is a right side elevational view of the bench of FIG. 6, the left side elevational view being a mirror image thereof.

FIG. 8 is a top plan view of the bench of FIG. 6.

FIG. 9 is a front elevational view of the bench of FIG. 6, the back elevational view being a mirror image thereof; and,

FIG. 10 is a bottom plan view of the bench of FIG. 6.

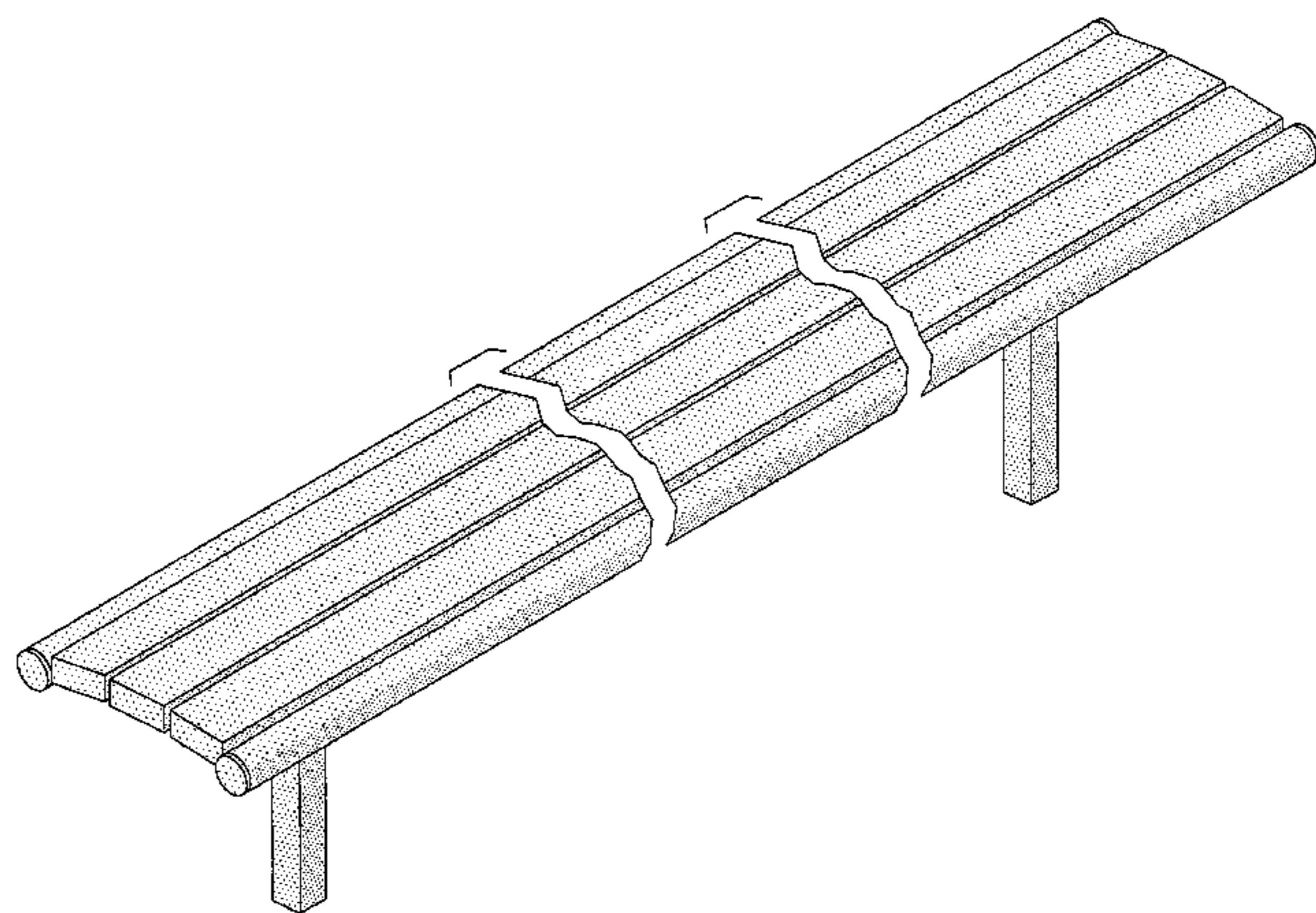
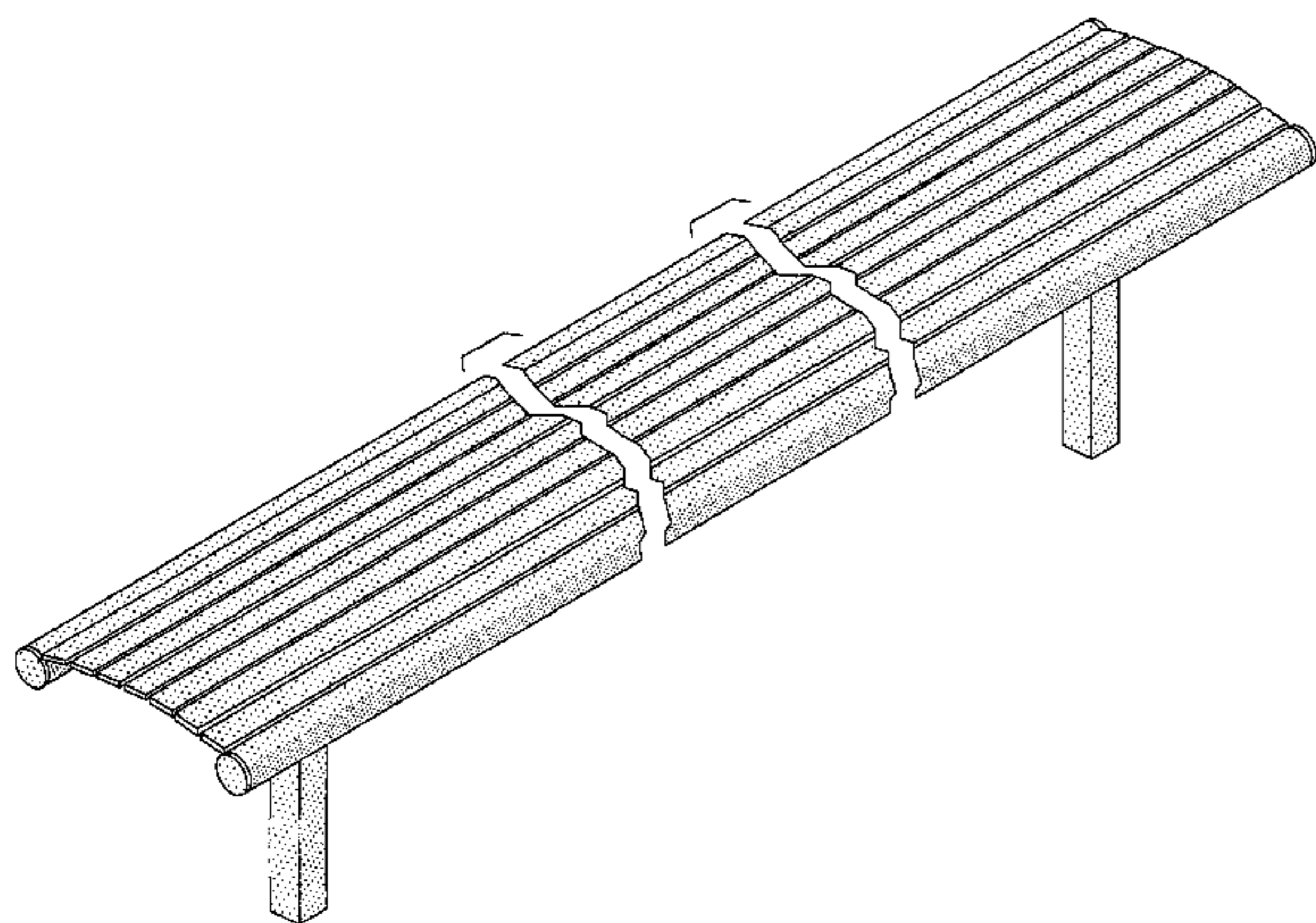
The bench is shown broken-away transversely in the various views to indicate that a specific length forms no part of the claimed design.

(56) **References Cited**

**U.S. PATENT DOCUMENTS**

153,019	A	7/1874	Ross	
268,990	A *	12/1882	Blythe	108/36
D48,329	S	12/1915	Severt	
D67,030	S *	4/1925	Haase	D6/370
2,097,884	A	11/1937	Kann	
D214,042	S *	5/1969	Henebry	D6/381
D225,194	S *	11/1972	Ruth	D6/370
D247,529	S	3/1978	Lamb	
4,113,312	A	9/1978	Skalka	
D263,353	S	3/1982	Beals	

**1 Claim, 4 Drawing Sheets**



# US D595,973 S

Page 2

---

U.S. PATENT DOCUMENTS							
D294,782	S	3/1988	Balderi	D458,474	S *	6/2002	Hecht et al. .... D6/480
D299,595	S	1/1989	Shields	6,623,081	B2	9/2003	Snyders
D303,877	S	10/1989	Norton	D481,211	S *	10/2003	Chipman ..... D6/349
D336,796	S *	6/1993	Chang ..... D6/370	D498,079	S	11/2004	Messier
D357,364	S *	4/1995	Dionne et al. .... D6/368	D521,763	S *	5/2006	Wilmotte ..... D6/381
D361,901	S	9/1995	Szekely	D522,775	S	6/2006	Skalka
D365,937	S	1/1996	Skalka	D523,650	S	6/2006	Skalka
D369,692	S	5/1996	Skalka	7,073,756	B1	7/2006	Walton
D381,831	S	8/1997	Prehart	D526,805	S	8/2006	Skalka
D384,512	S	10/1997	Skalka	D532,620	S	11/2006	Skalka
D386,012	S	11/1997	Skalka	D536,184	S	2/2007	Skalka
5,957,536	A	9/1999	Sullivan	7,252,331	B1	8/2007	Walton
D414,952	S	10/1999	Slear	D562,034	S	2/2008	Pappas
D419,326	S	1/2000	Davidson	D569,122	S	5/2008	Flaherty
D438,730	S *	3/2001	D'Urso et al. .... D6/480	D578,783	S *	10/2008	Skalka ..... D6/355
D453,424	S	2/2002	Stewart	D581,173	S *	11/2008	Skalka ..... D6/337
				D581,188	S *	11/2008	Skalka ..... D6/480

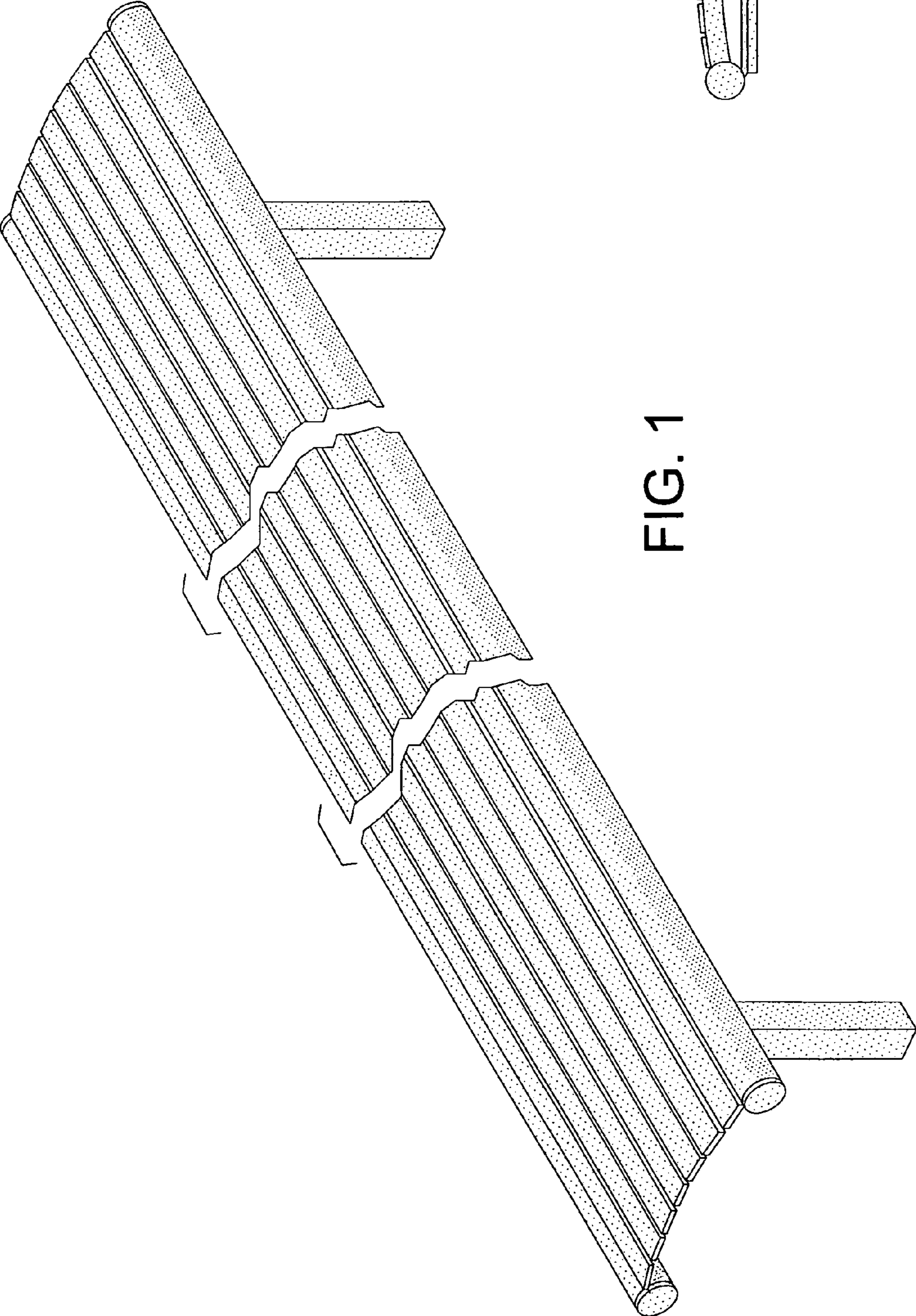


FIG. 1

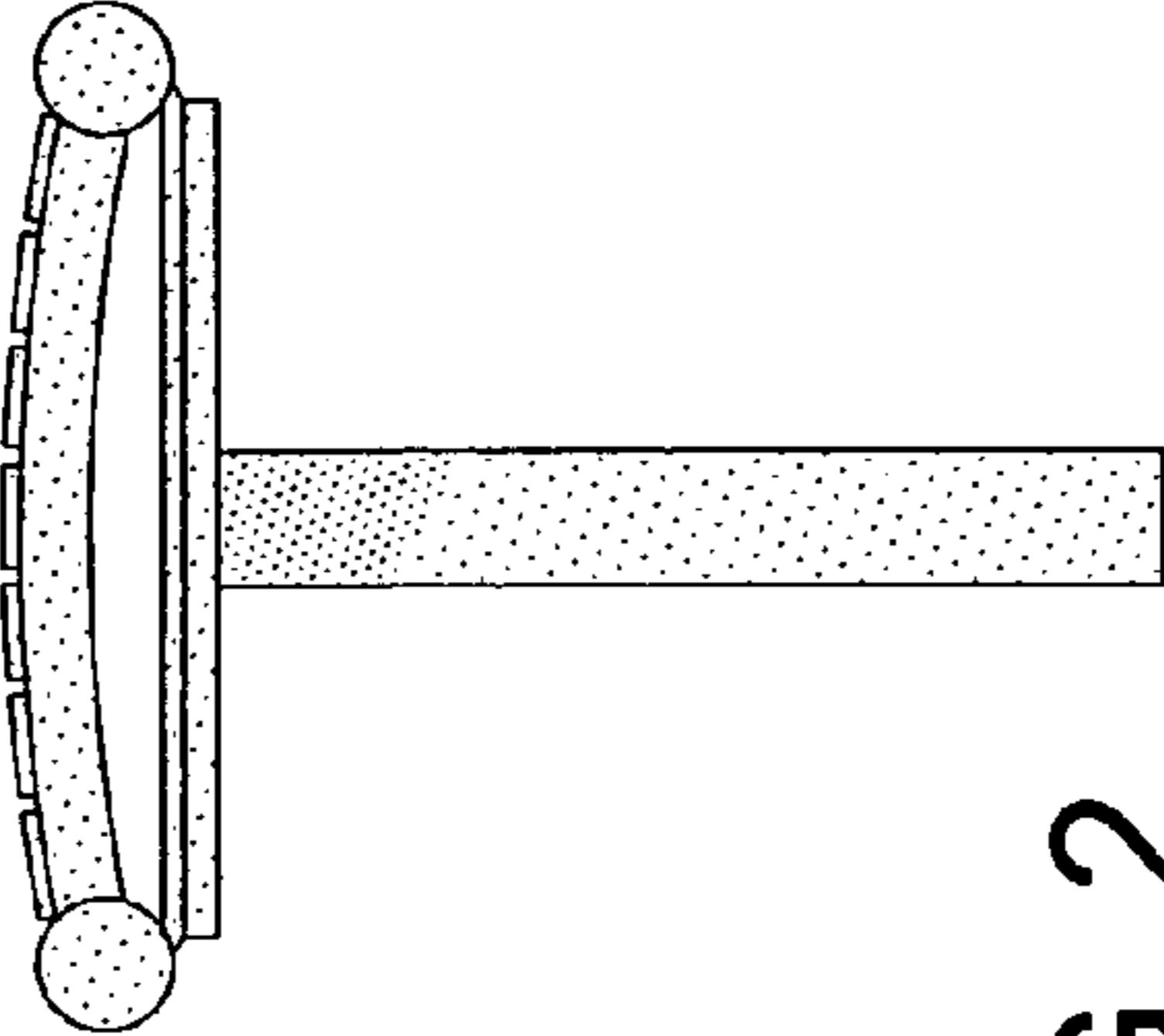


FIG. 2

FIG. 3

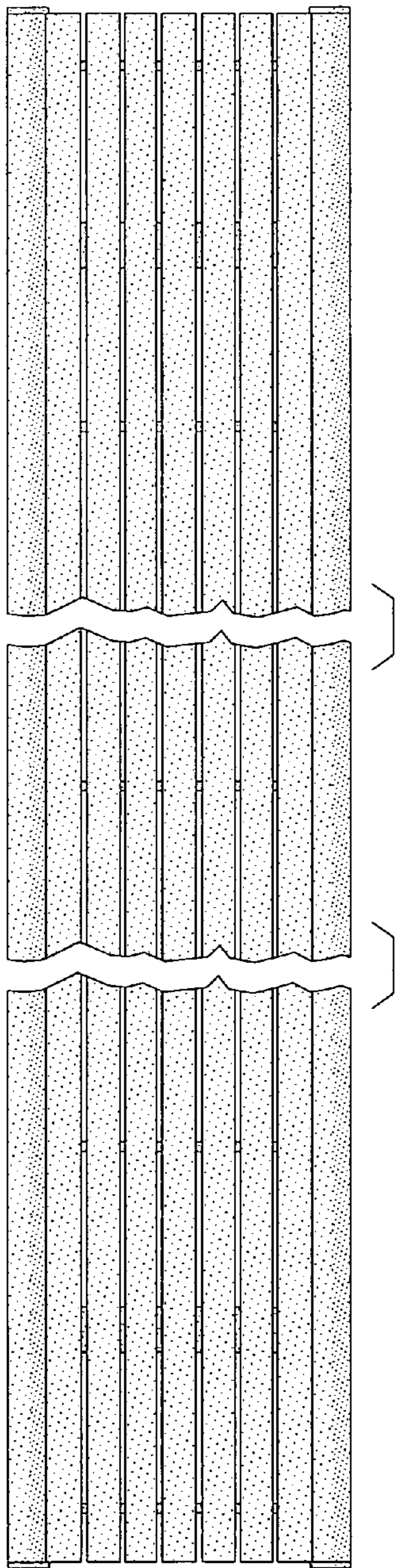


FIG. 4

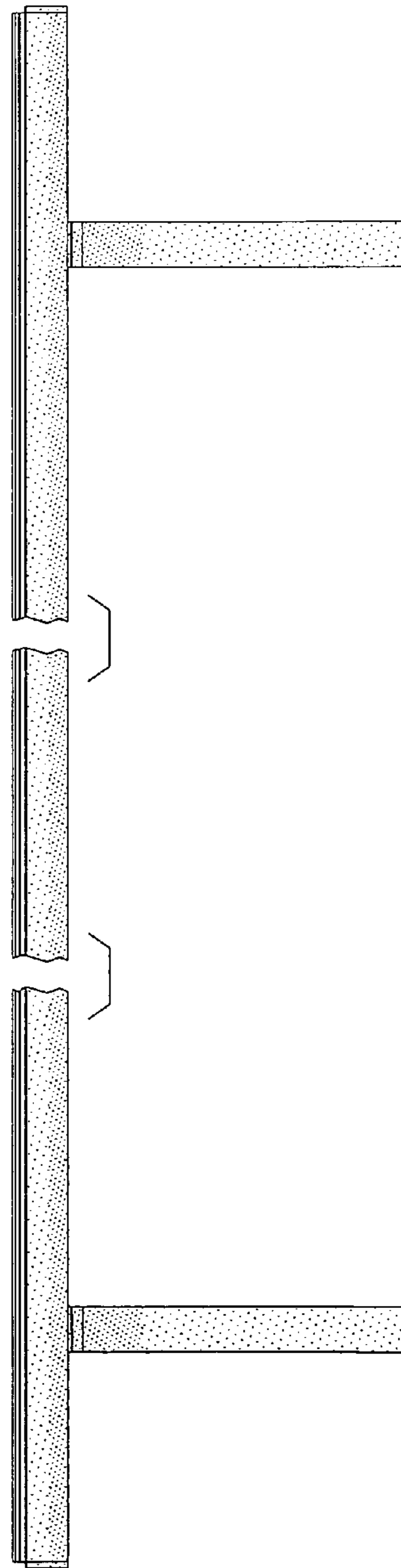
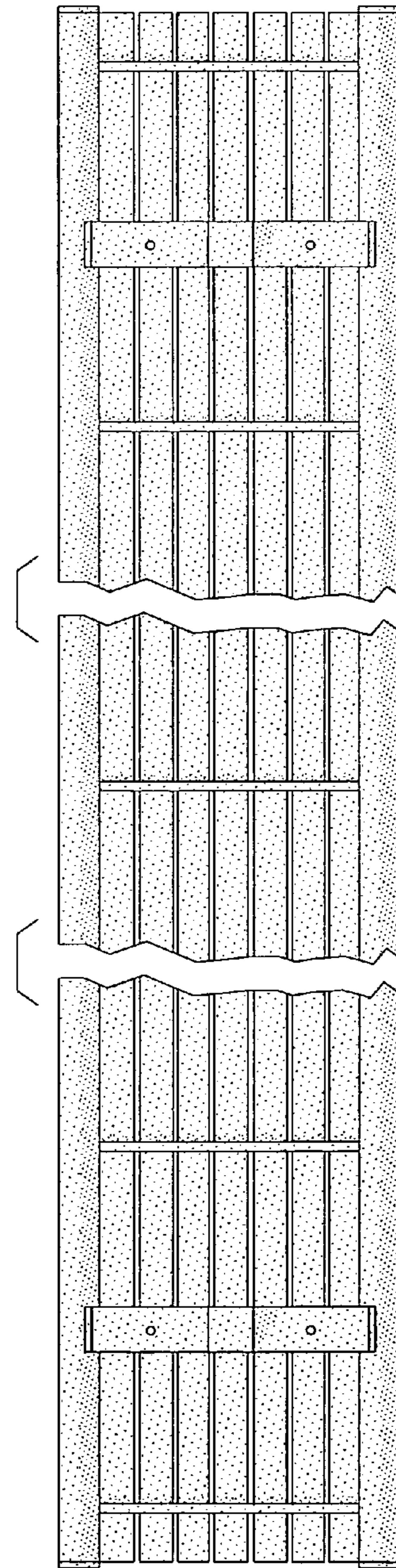


FIG. 5



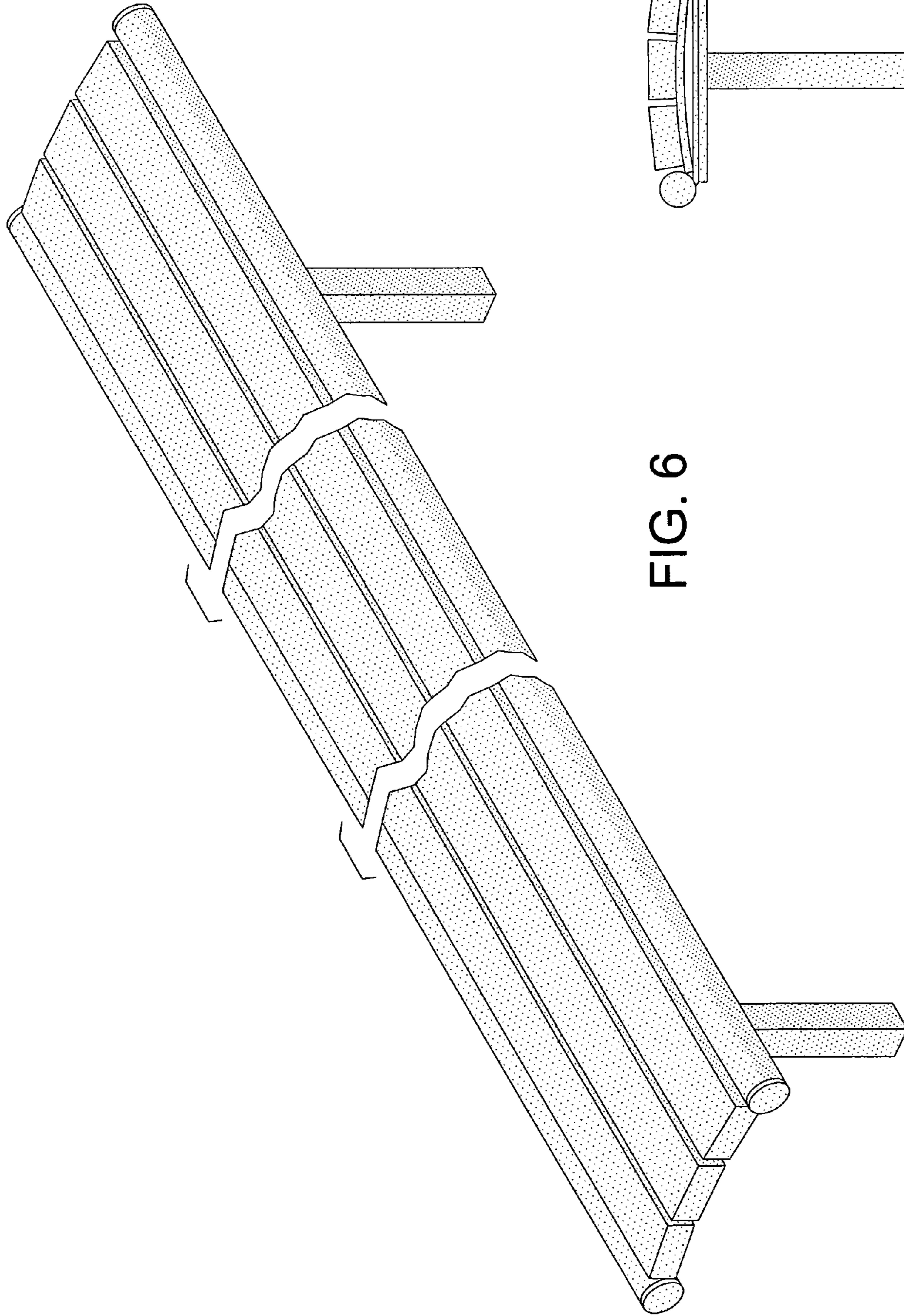


FIG. 6

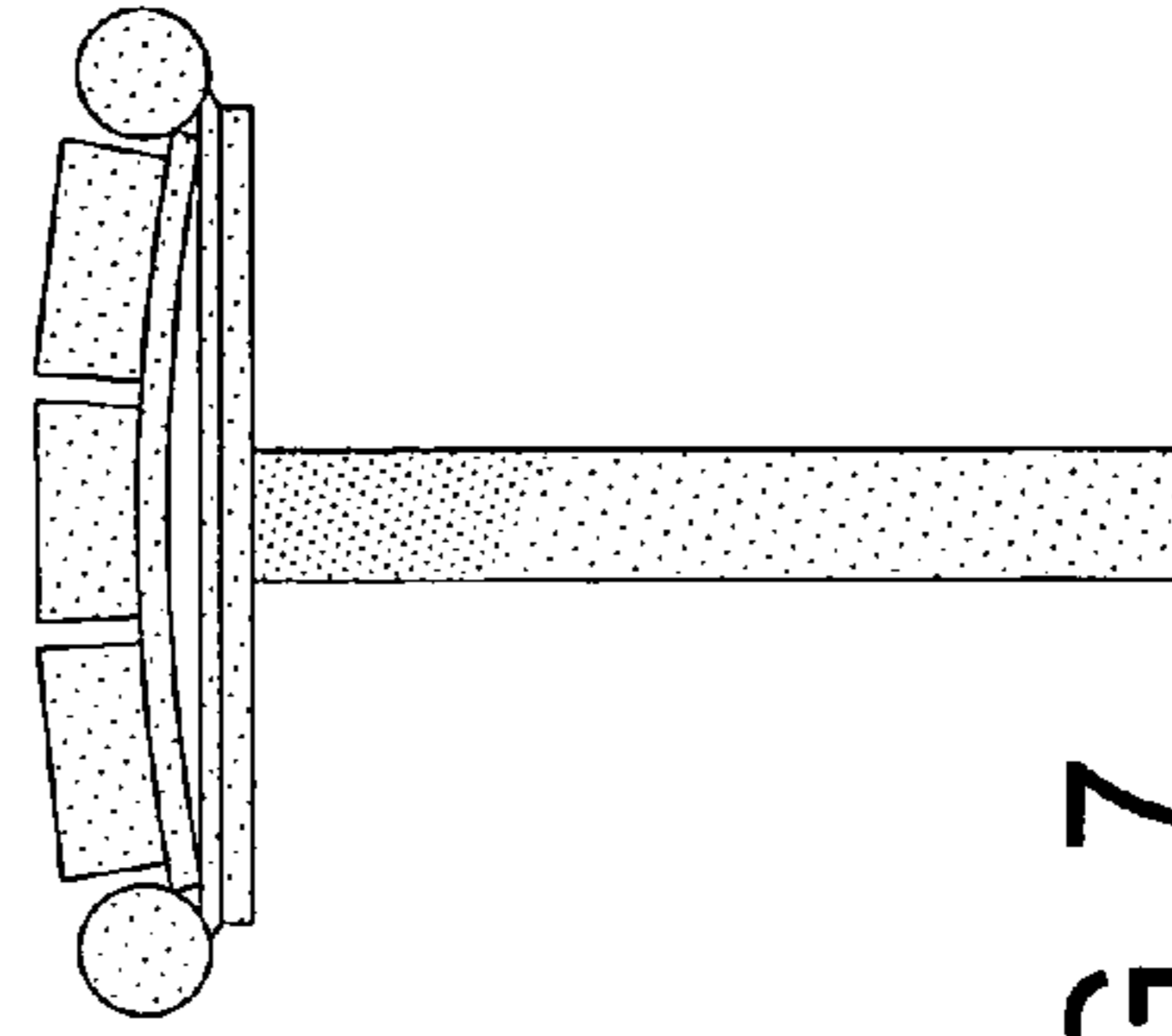


FIG. 7

FIG. 8

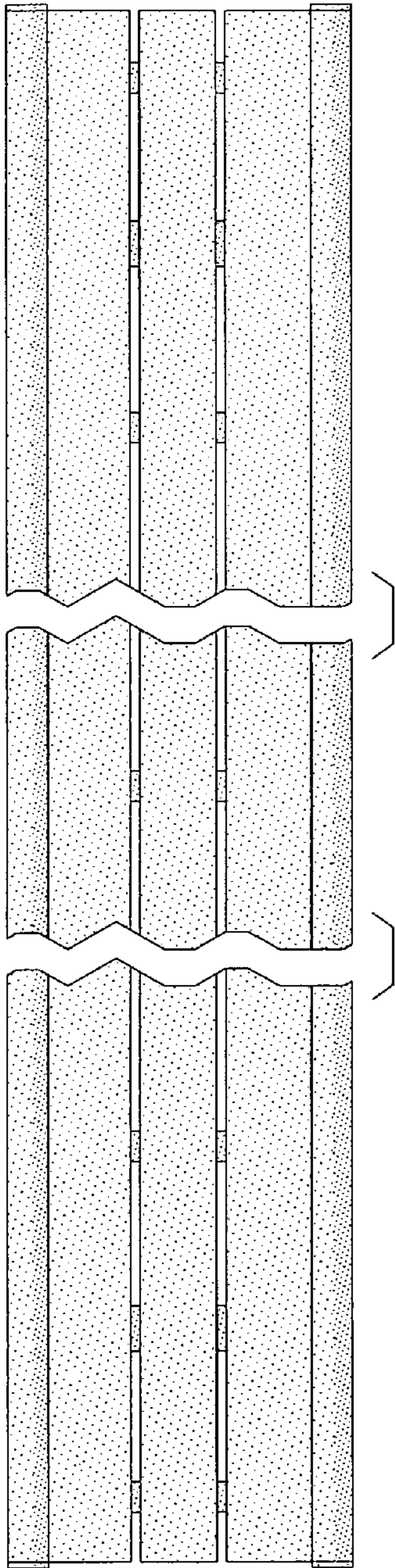


FIG. 9

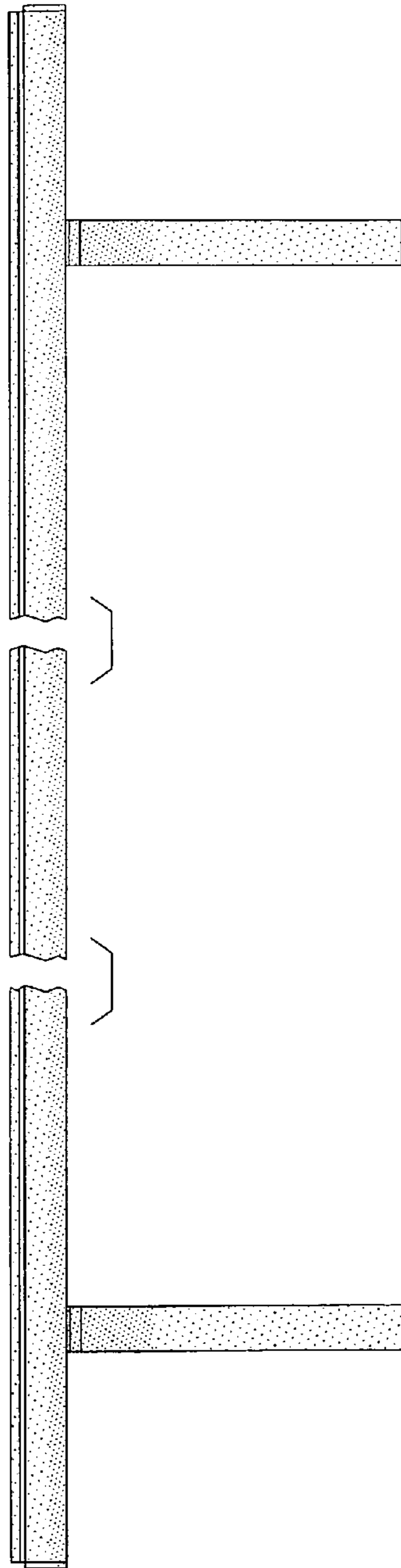


FIG. 10

