



US00D595970S

(12) **United States Design Patent**  
**Ueda**

(10) **Patent No.:** **US D595,970 S**  
(45) **Date of Patent:** **\*\* Jul. 14, 2009**

(54) **CHAIR**

(75) Inventor: **Nobuyuki Ueda**, Osaka (JP)  
(73) Assignee: **Kokuyo Co., Ltd.**, Osaka (JP)  
(\*\*) Term: **14 Years**  
(21) Appl. No.: **29/321,208**  
(22) Filed: **Jul. 13, 2008**

(30) **Foreign Application Priority Data**

Jan. 16, 2008 (JP) ..... 2008-000687

(51) **LOC (9) Cl.** ..... **06-01**  
(52) **U.S. Cl.** ..... **D6/366**  
(58) **Field of Classification Search** ..... D6/334-336,  
D6/364, 365, 366, 367, 368, 374, 498, 500-502;  
297/284.1, 284.4, 411.27, 452.11, 452.21,  
297/452.29, 452.3, 463.1  
See application file for complete search history.

(56) **References Cited**

**U.S. PATENT DOCUMENTS**

D548,993 S *	8/2007	Fancelli	.....	D6/366
D553,376 S *	10/2007	Nakamura et al.	.....	D6/366
D557,027 S *	12/2007	Hara	.....	D6/366
D557,917 S *	12/2007	Nakamura et al.	.....	D6/366
D557,918 S *	12/2007	Nakamura et al.	.....	D6/366
D567,523 S *	4/2008	Hara	.....	D6/366

\* cited by examiner

*Primary Examiner*—Mimosa De  
(74) *Attorney, Agent, or Firm*—Eaton Peabody Patent Group, LLC; Dennis R. Haszko

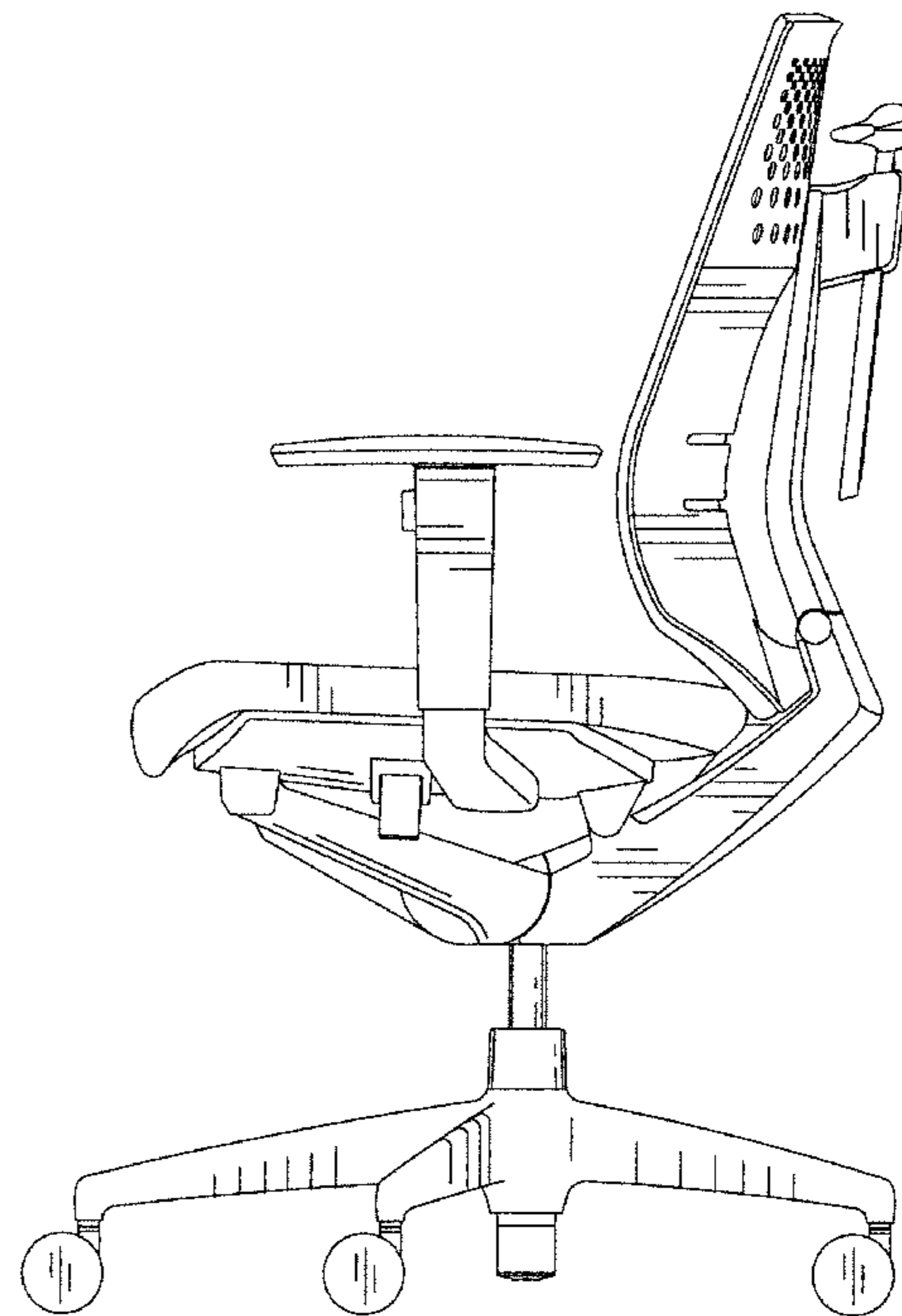
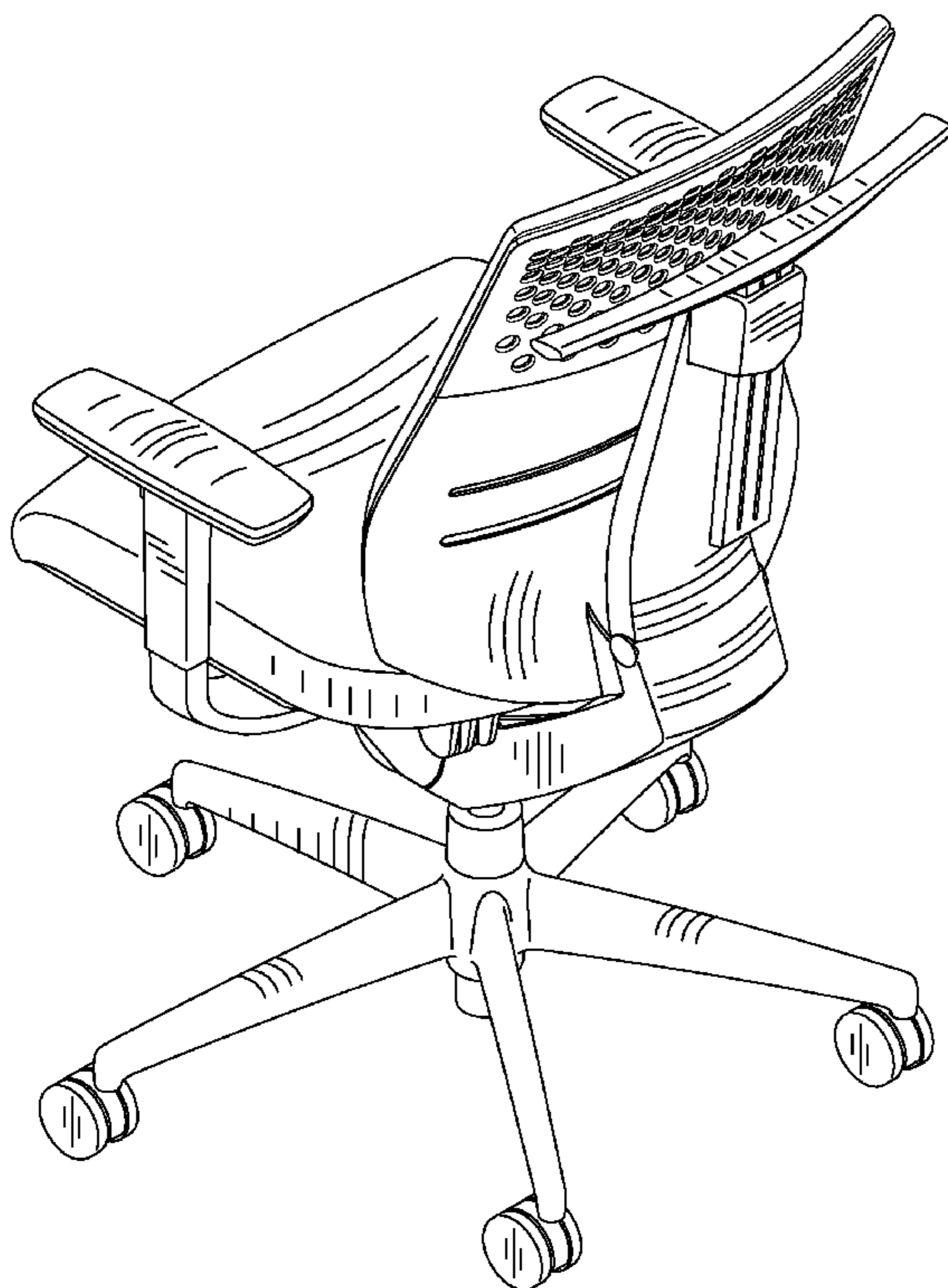
(57) **CLAIM**

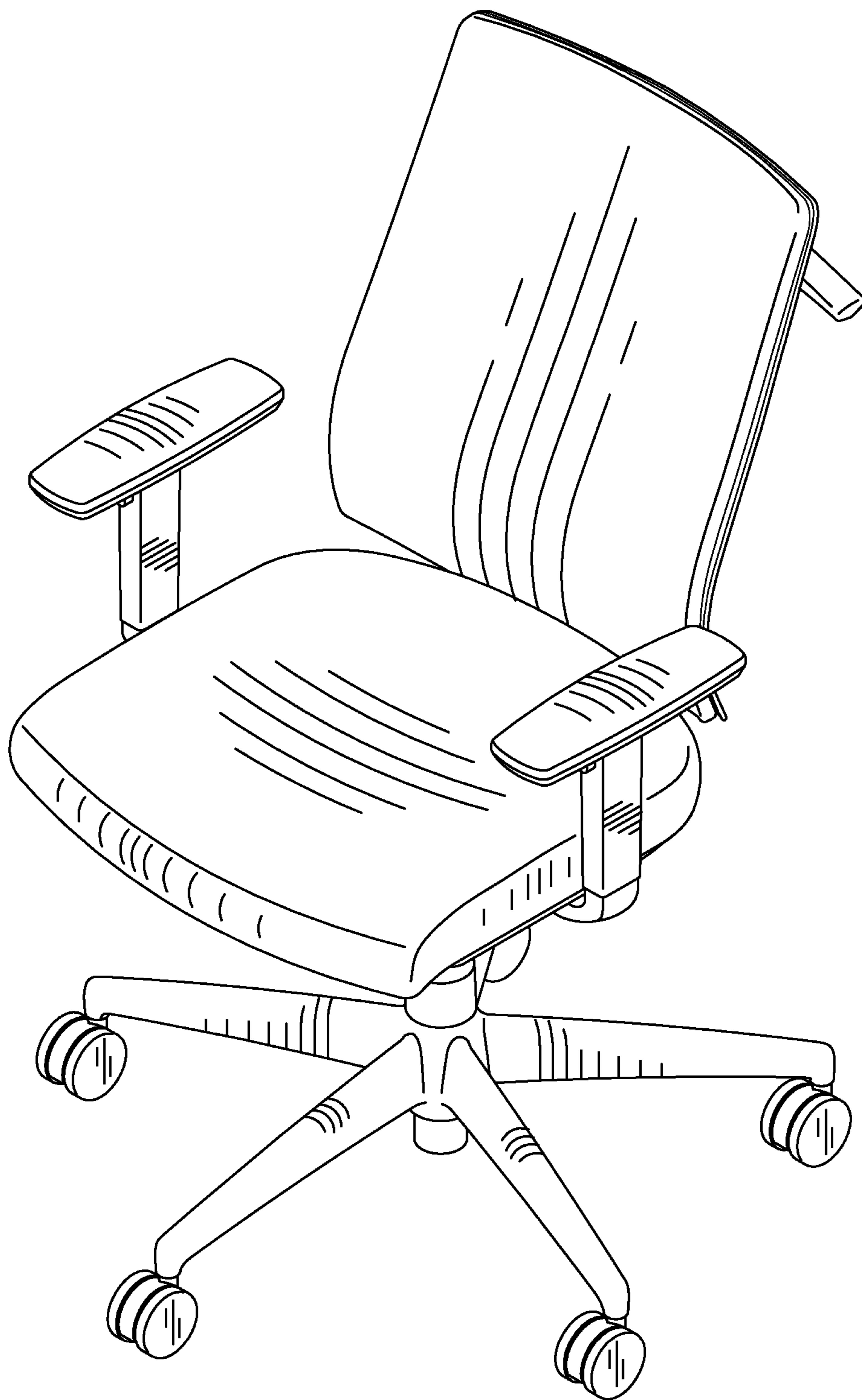
The ornamental design for a chair, as shown and described.

**DESCRIPTION**

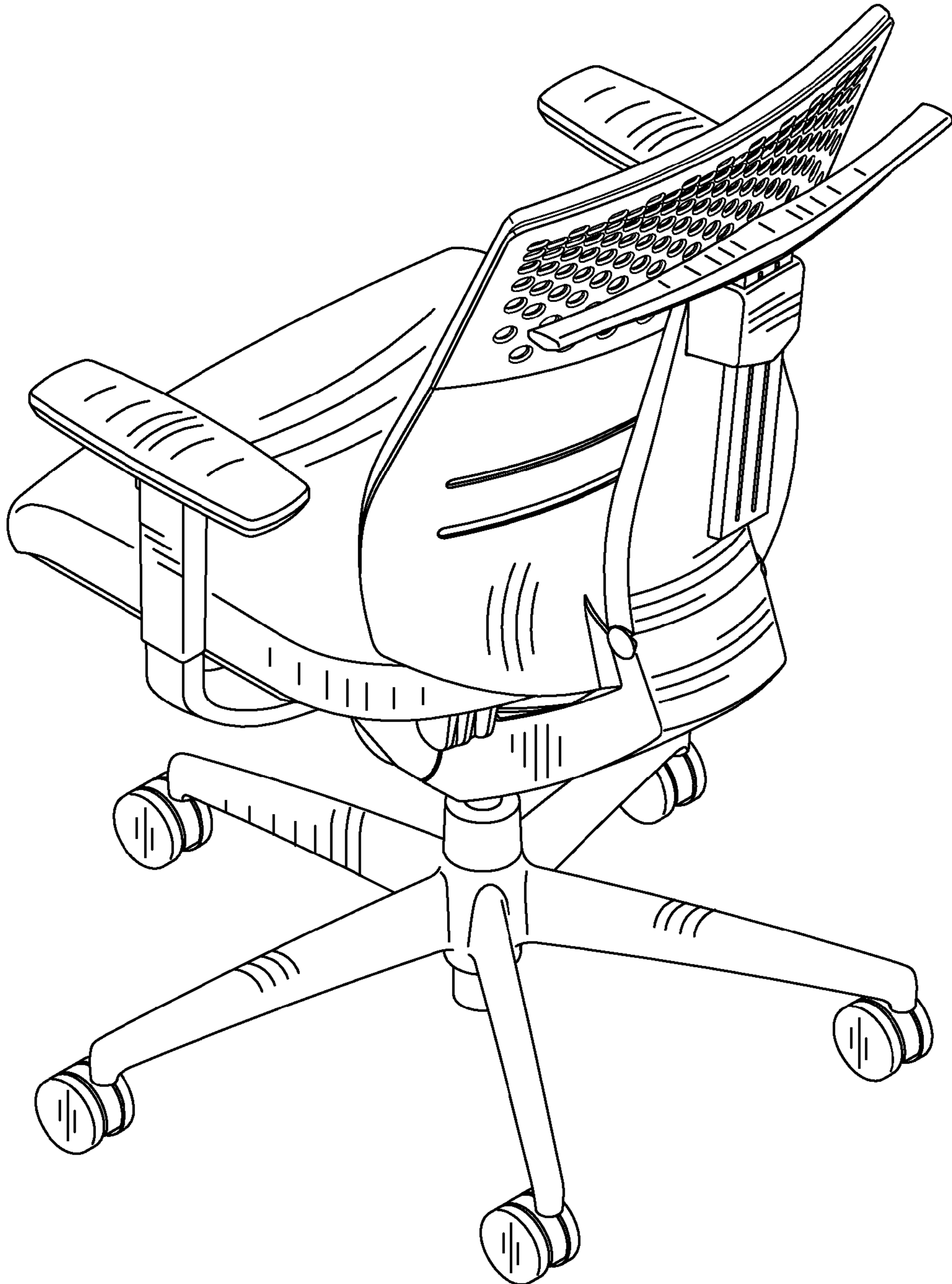
FIG. 1 is a front perspective view of the chair showing the design;  
FIG. 2 is a rear perspective view thereof;  
FIG. 3 is a front elevation view thereof;  
FIG. 4 is a sectional view taken along the section line 3A—3A of FIG. 3, in which elements other than the section are not shown;  
FIG. 5 is a sectional view taken along the section line 3B—3B of FIG. 3 in which the base portion is not shown;  
FIG. 6 is a rear elevation view thereof;  
FIG. 7 is a top plan view thereof;  
FIG. 8 is a bottom plan view thereof;  
FIG. 9 is a right elevation view thereof;  
FIG. 10 is a left elevation view thereof; and,  
FIG. 11 is a right elevation view showing the chair with a hanger portion in an elevated position.

**1 Claim, 10 Drawing Sheets**

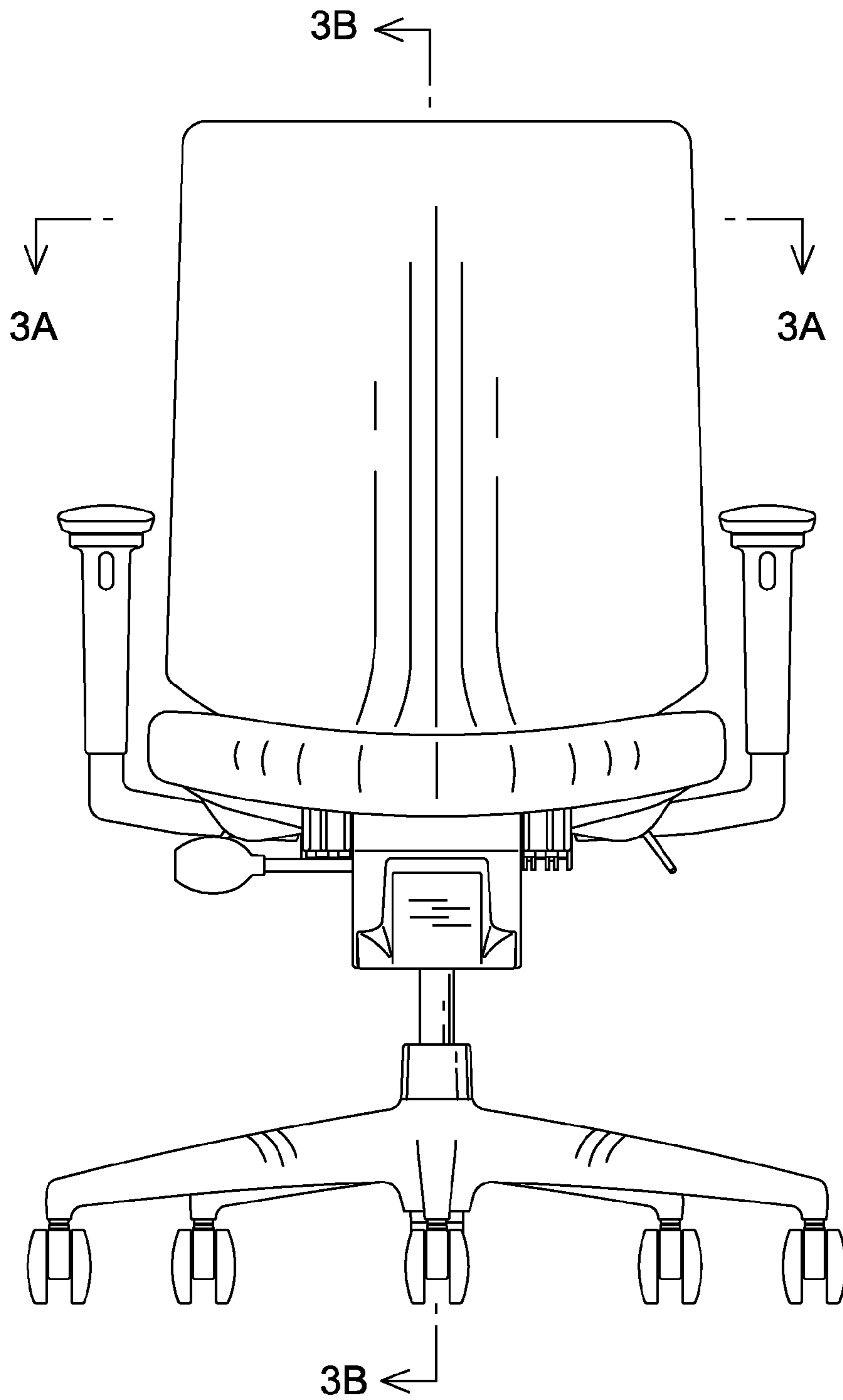




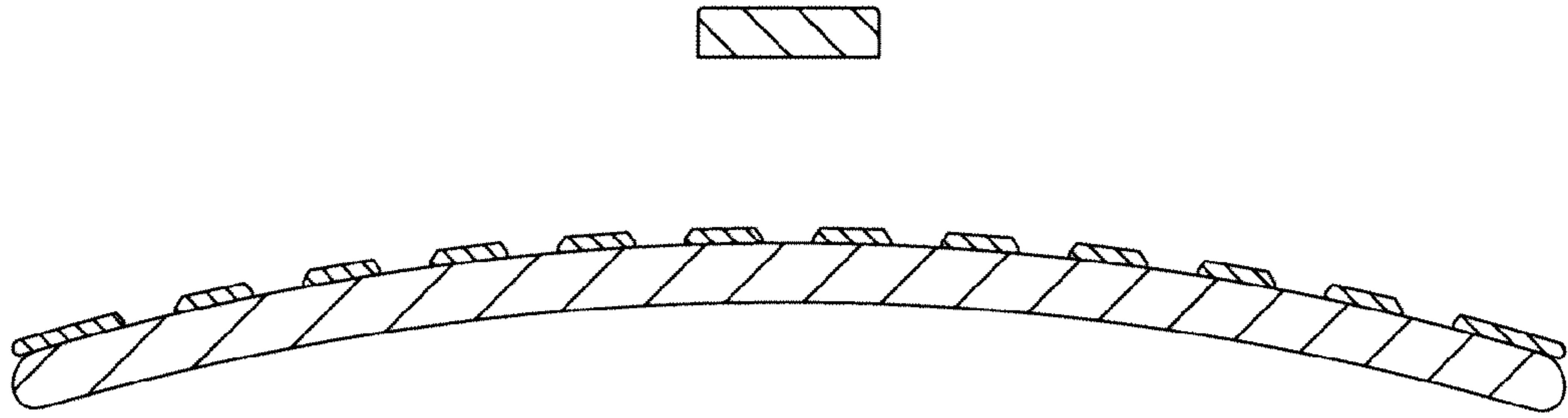
**FIG. 1**



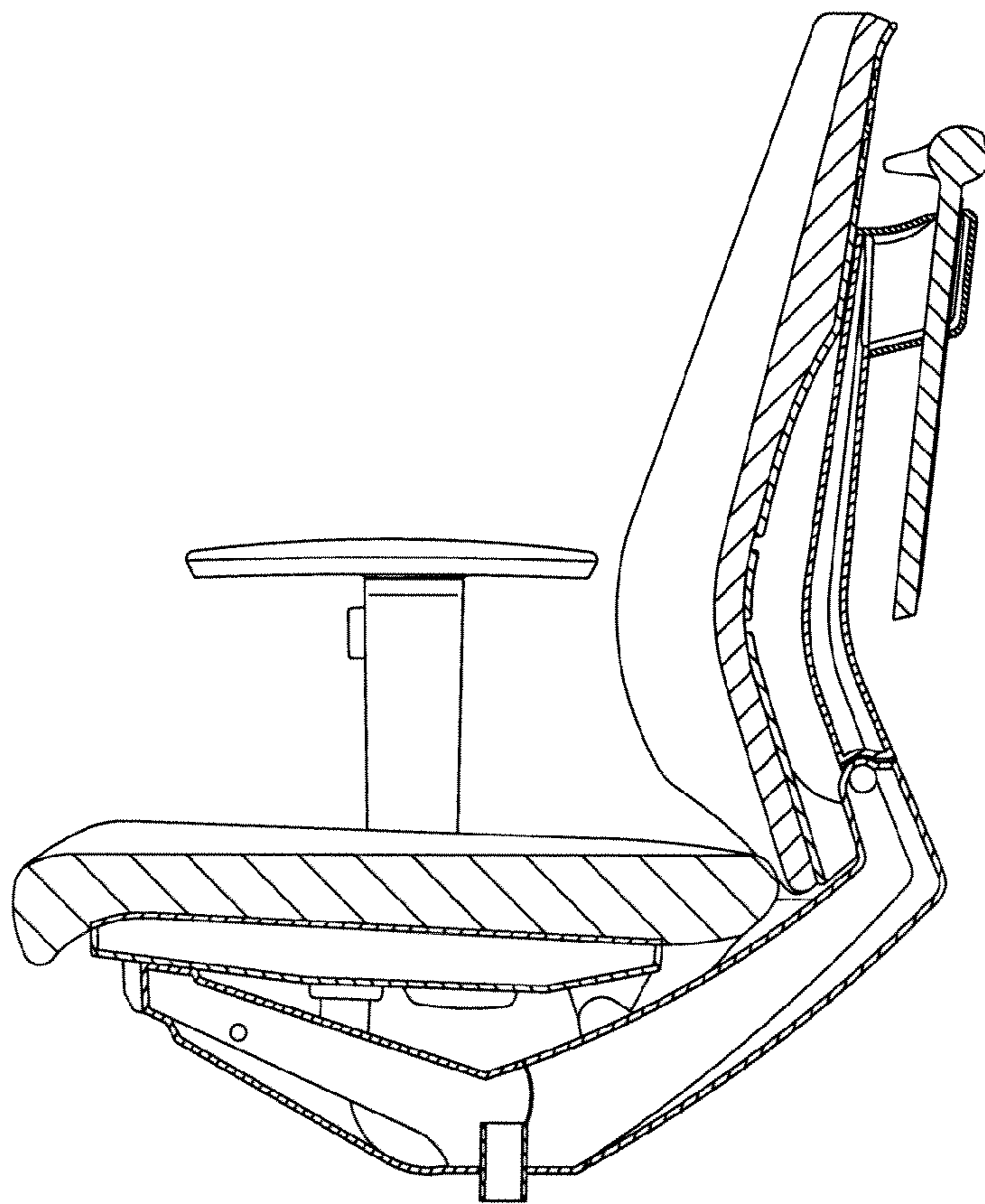
**FIG. 2**



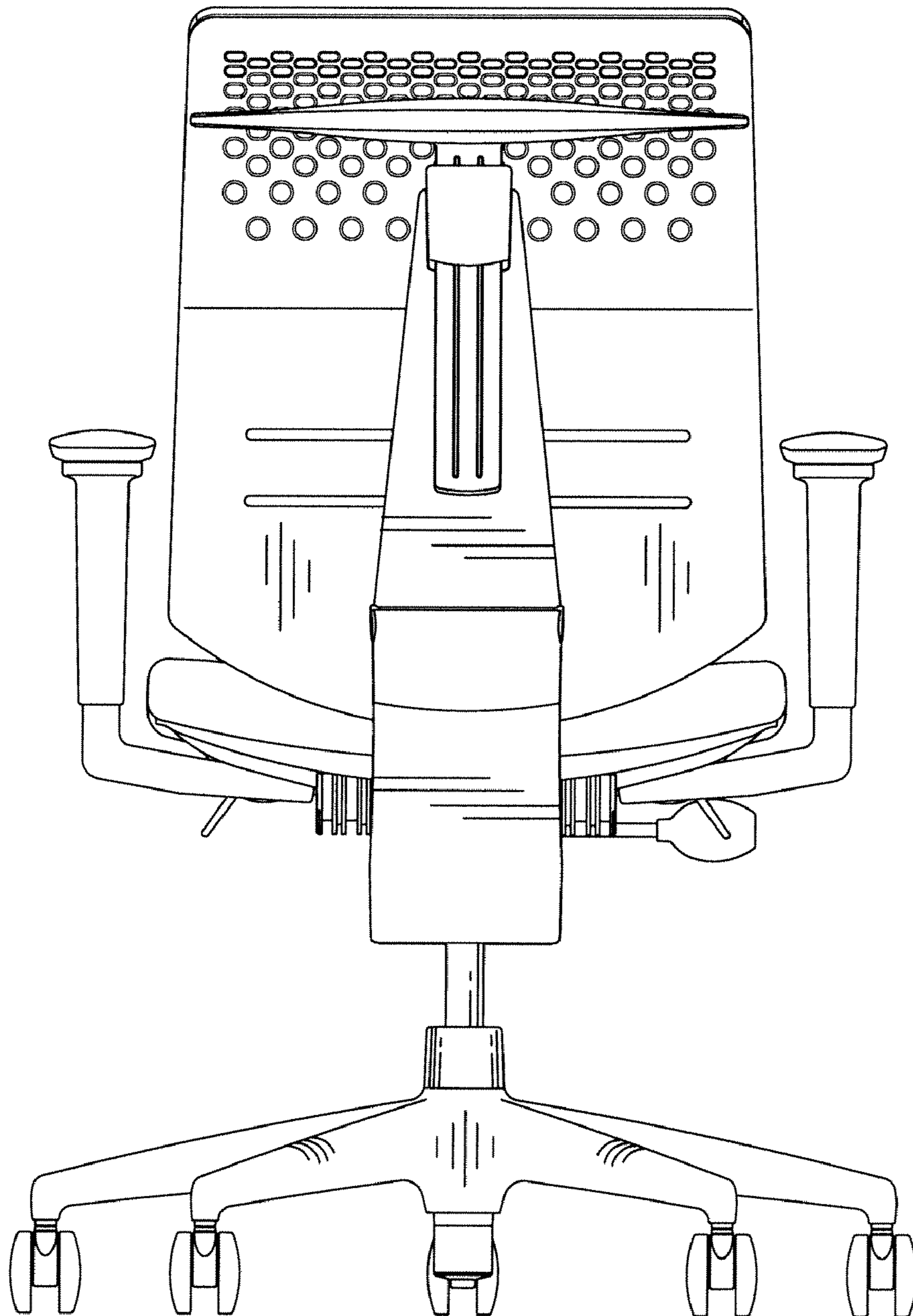
**FIG. 3**



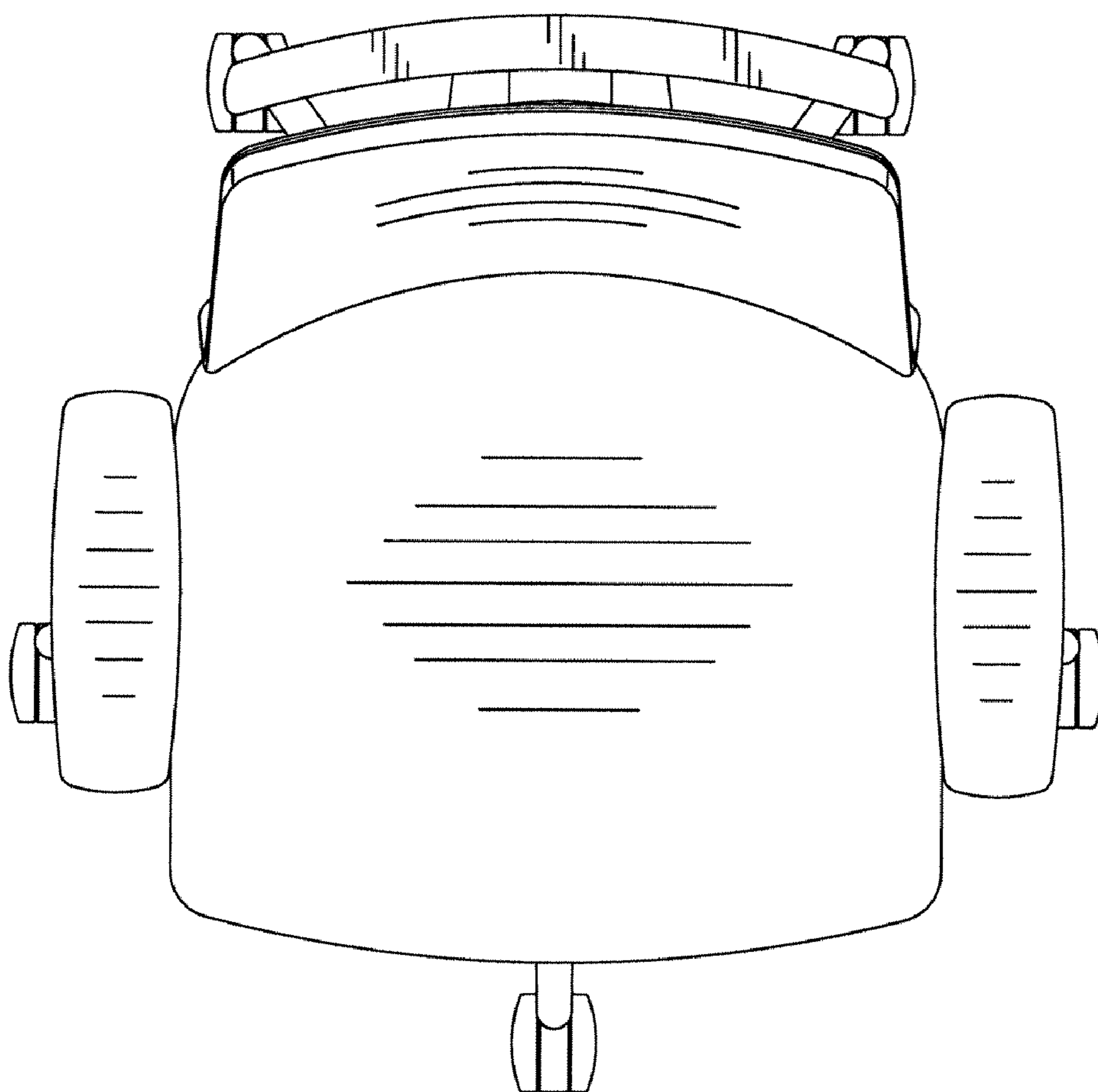
**FIG. 4**



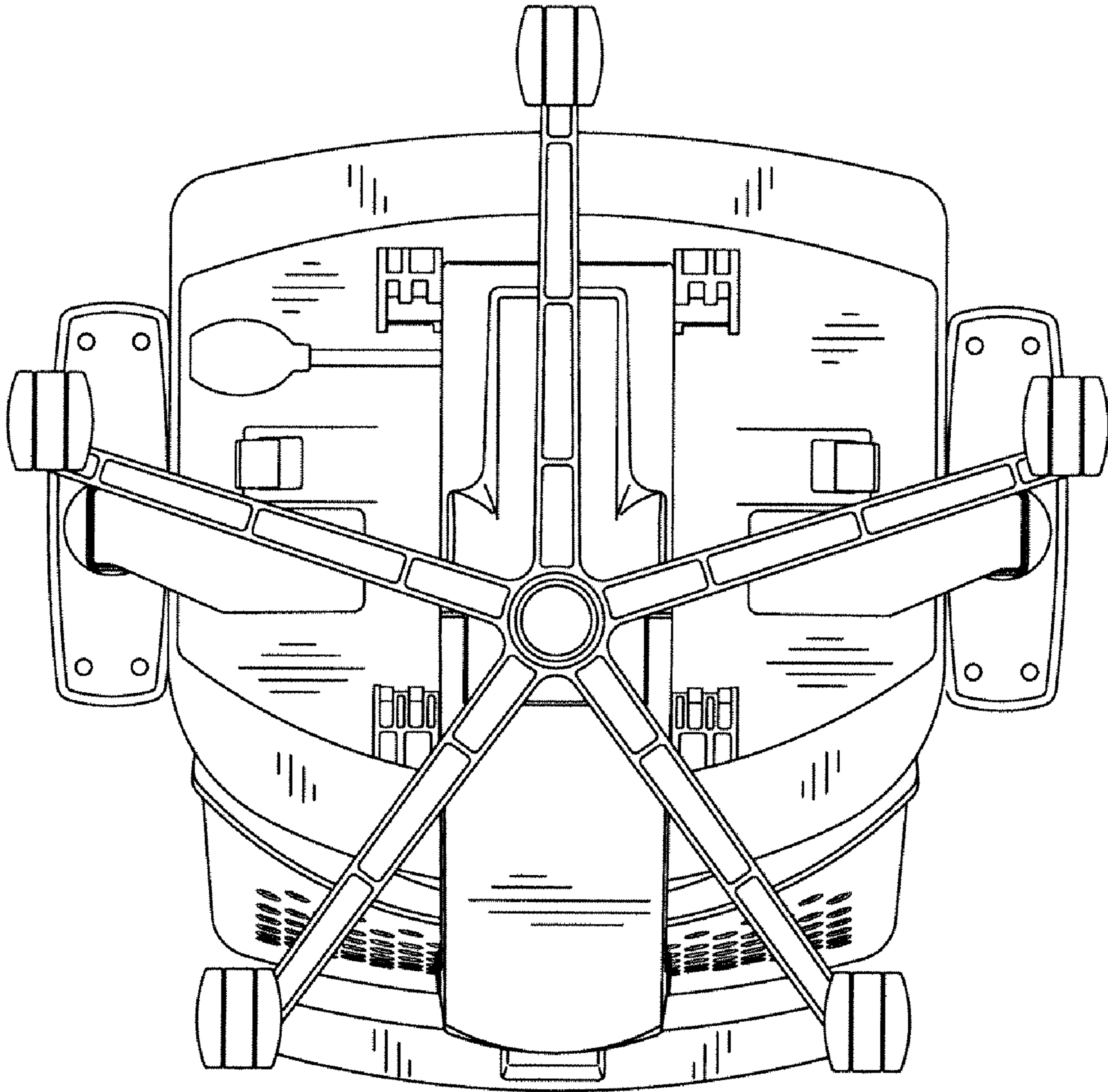
**FIG. 5**



**FIG. 6**

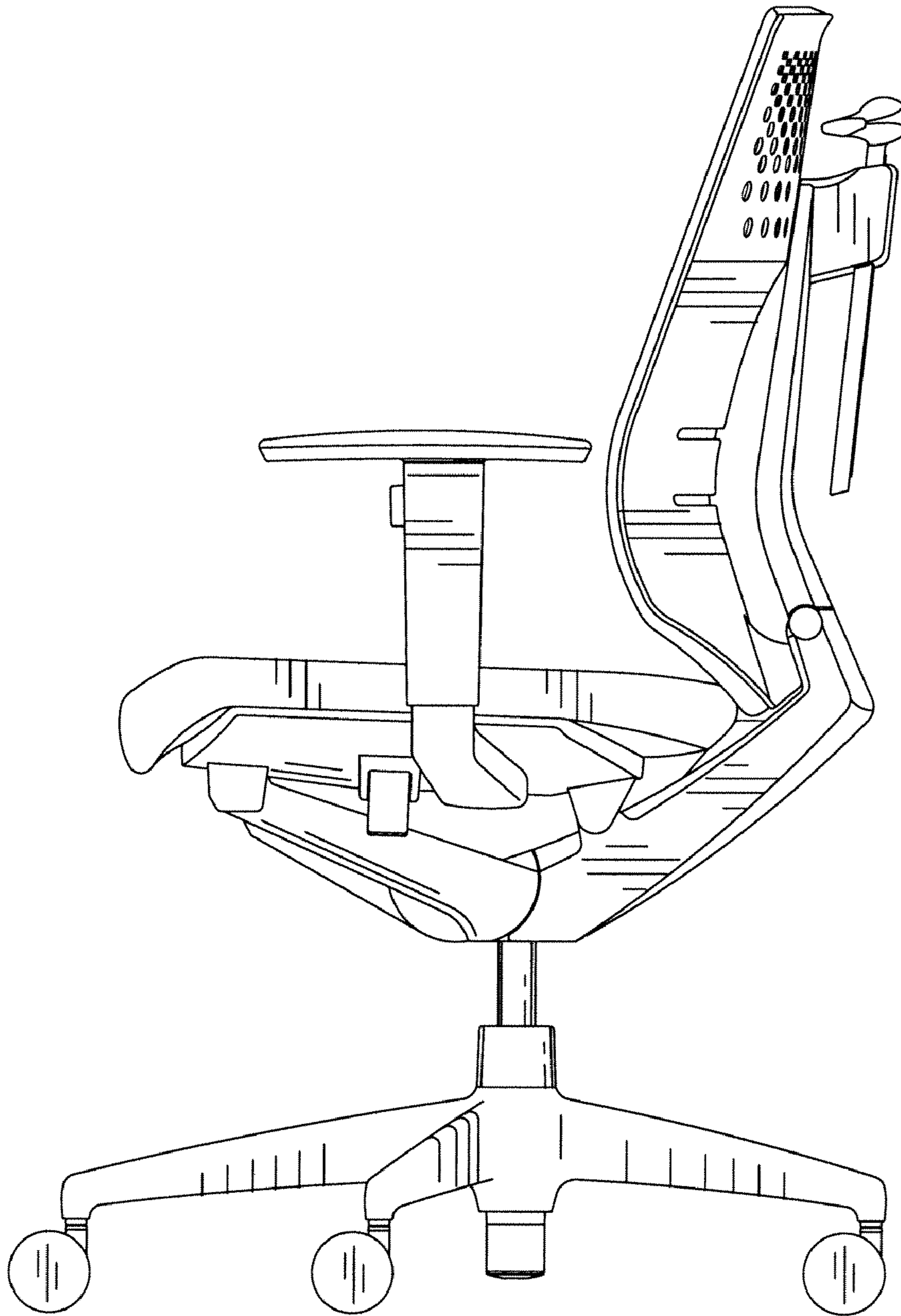


**FIG. 7**

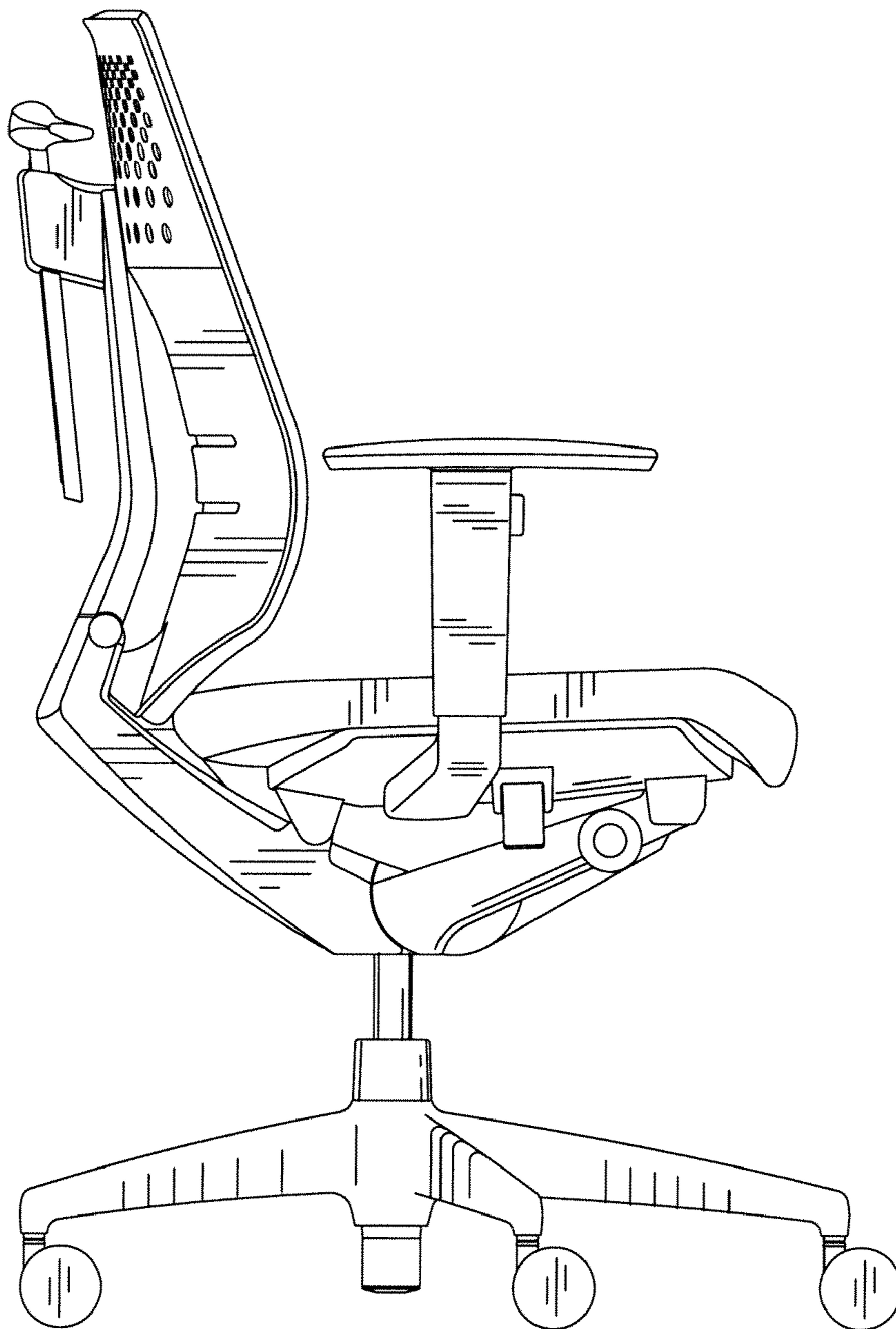


**FIG. 8**

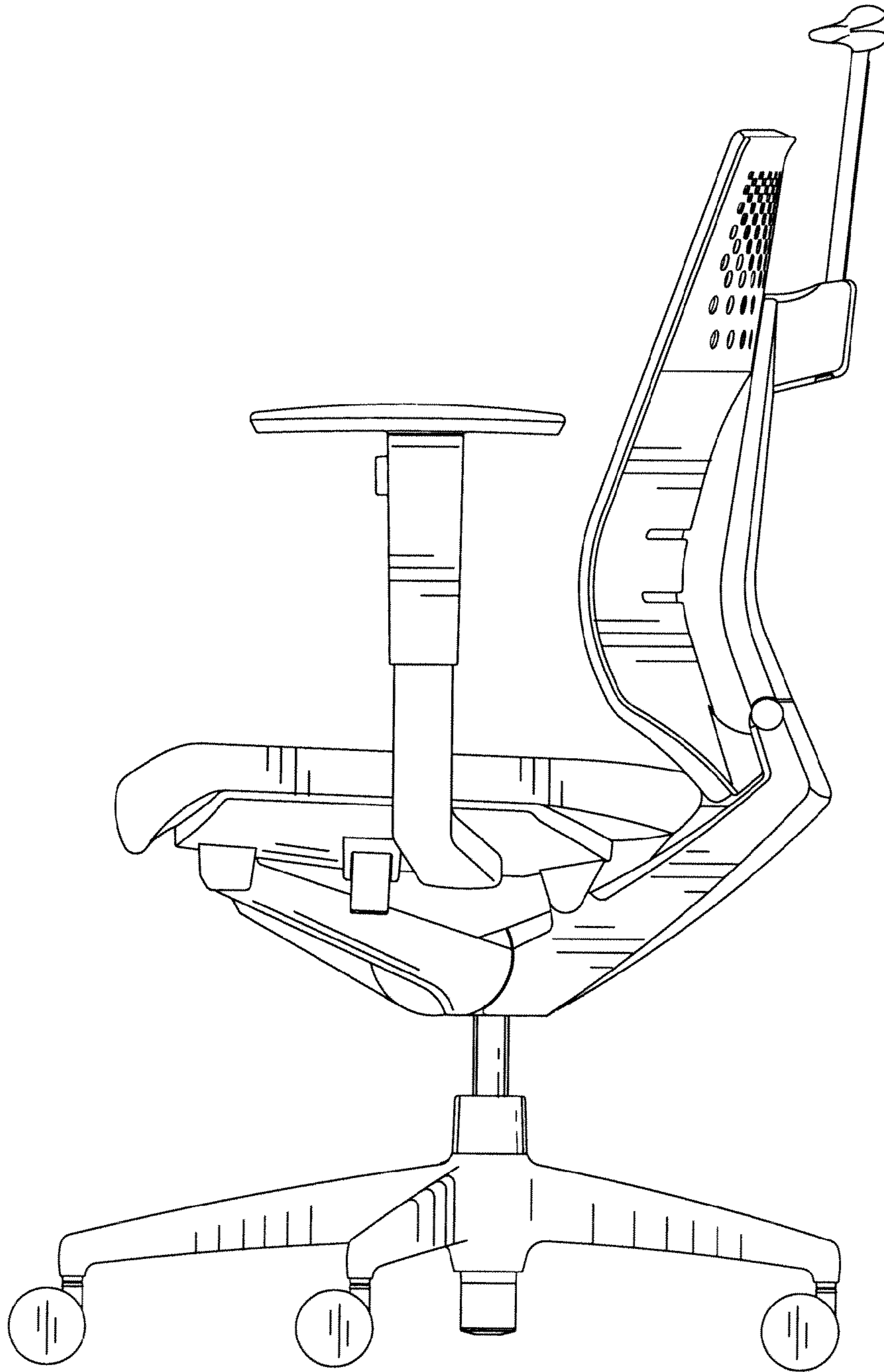




**FIG. 9**



**FIG. 10**



**FIG. 11**