



US00D595969S

(12) **United States Design Patent**
Hanusiak et al.

(10) **Patent No.:** **US D595,969 S**
(45) **Date of Patent:** **** Jul. 14, 2009**

(54) **STOOL WITH SQUARE SUPPORT**

7,393,049 B2 * 7/2008 Chase 297/134

* cited by examiner

(76) Inventors: **Gregory Hanusiak**, 7448 N. Osceola Ave., Chicago, IL (US) 60631; **Jeremias C. Rivera, Jr.**, 668 Mary Ct., Elmhurst, IL (US) 60126; **Doss Samikkannu**, 950 Carlow Dr., Des Plaines, IL (US) 60016

Primary Examiner—Sandra Snapp
(74) *Attorney, Agent, or Firm*—Ryndak & Suri LLP

(57) **CLAIM**

(**) Term: **14 Years**

The ornamental design for a stool with square support, as shown and described.

(21) Appl. No.: **29/310,327**

DESCRIPTION

(22) Filed: **Aug. 8, 2008**

(51) **LOC (9) Cl.** **06-01**

FIG. 1 is an underside perspective view of a stool with square support depicting the new design, viewed from the front-left corner;

(52) **U.S. Cl.** **D6/349**

FIG. 2 is a top perspective view of the stool with square support depicted in FIG. 1, viewed from the rear-right corner;

(58) **Field of Classification Search** D6/330,
D6/335–338, 340, 349–355, 358, 359, 364,
D6/366, 376, 491, 495, 500–502; 297/16.1,
297/39, 46, 135, 140, 156, 158.3, 158.4,
297/175, 177, 187, 195.1, 195.11, 211, 245,
297/423.1, 423.16, 445.1, 461, 462

FIG. 3 is a bottom plan view of the stool with square support depicted in FIG. 1;

See application file for complete search history.

FIG. 4 is a top plan view of the stool with square support depicted in FIG. 1;

(56) **References Cited**

FIG. 5 is a front elevational view of the stool with square support depicted in FIG. 1;

U.S. PATENT DOCUMENTS

FIG. 6 is a rear elevational view of the stool with square support depicted in FIG. 1;

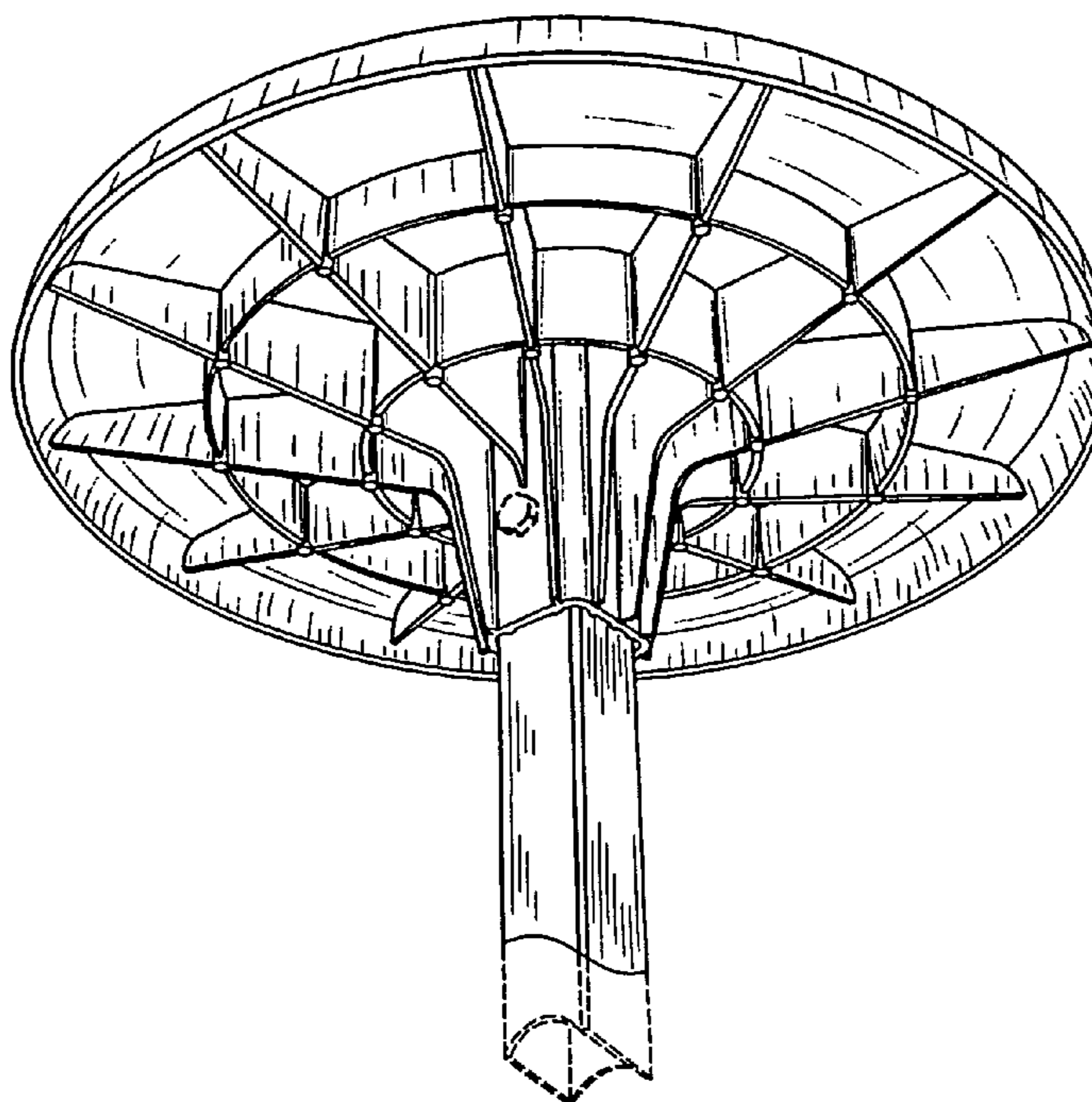
D268,971 S *	5/1983	Reineman	D6/337
4,921,303 A	5/1990	White		
D413,734 S *	9/1999	Bue	D6/337
6,074,005 A	6/2000	Simmons		
6,254,178 B1 *	7/2001	Bue	297/159.1
D456,155 S *	4/2002	DeVriendt	D6/337
6,386,628 B2 *	5/2002	Bue	297/158.3
6,749,265 B1 *	6/2004	Wang	297/440.1

FIG. 7 is a right side elevational view of the stool with square support depicted in FIG. 1; and,

FIG. 8 is a left side elevational view of the stool with square support depicted in FIG. 1.

The broken lines showing in the drawings are for illustrative purposes only and form no part of the claimed design.

1 Claim, 4 Drawing Sheets



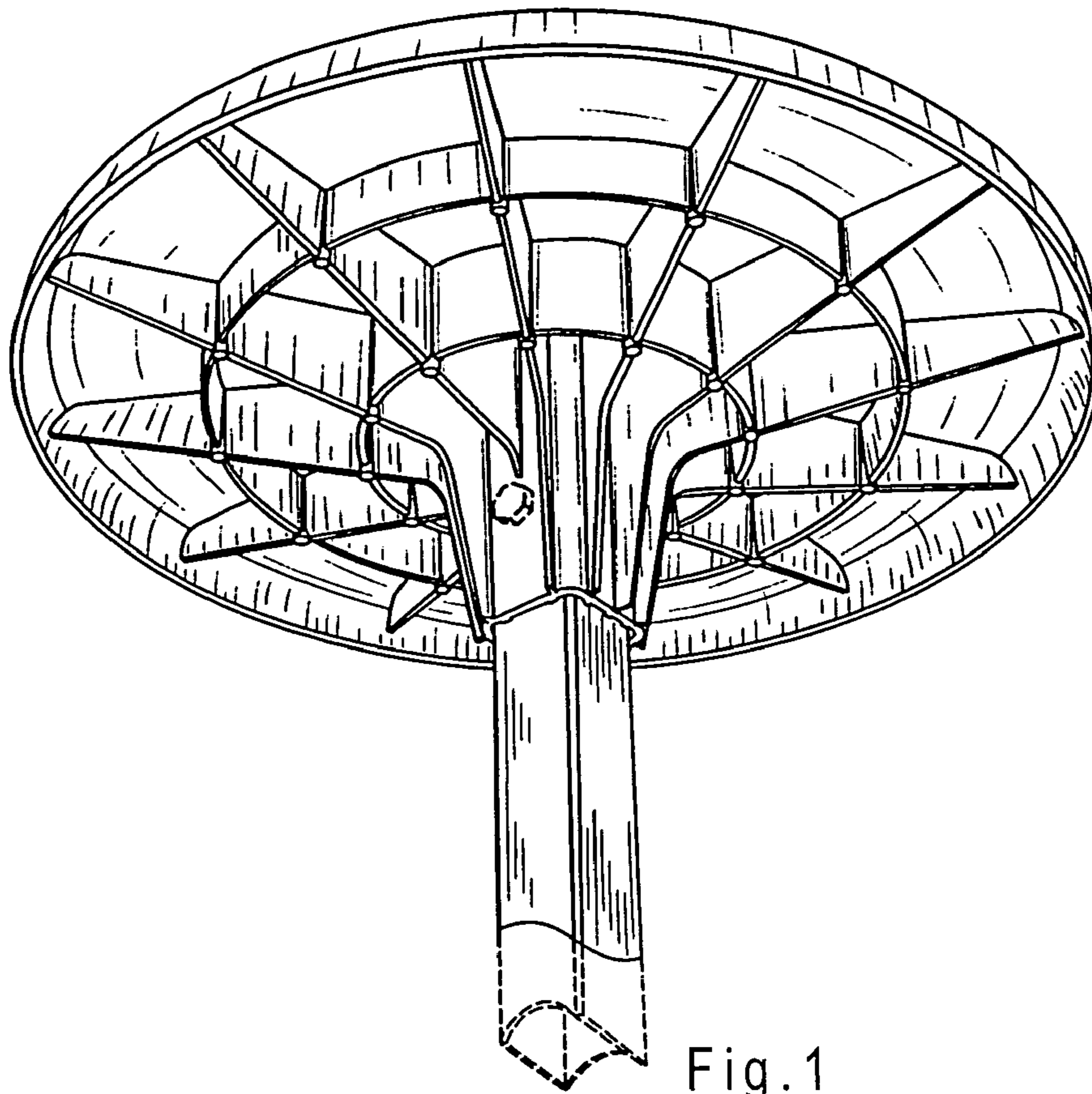


Fig. 1

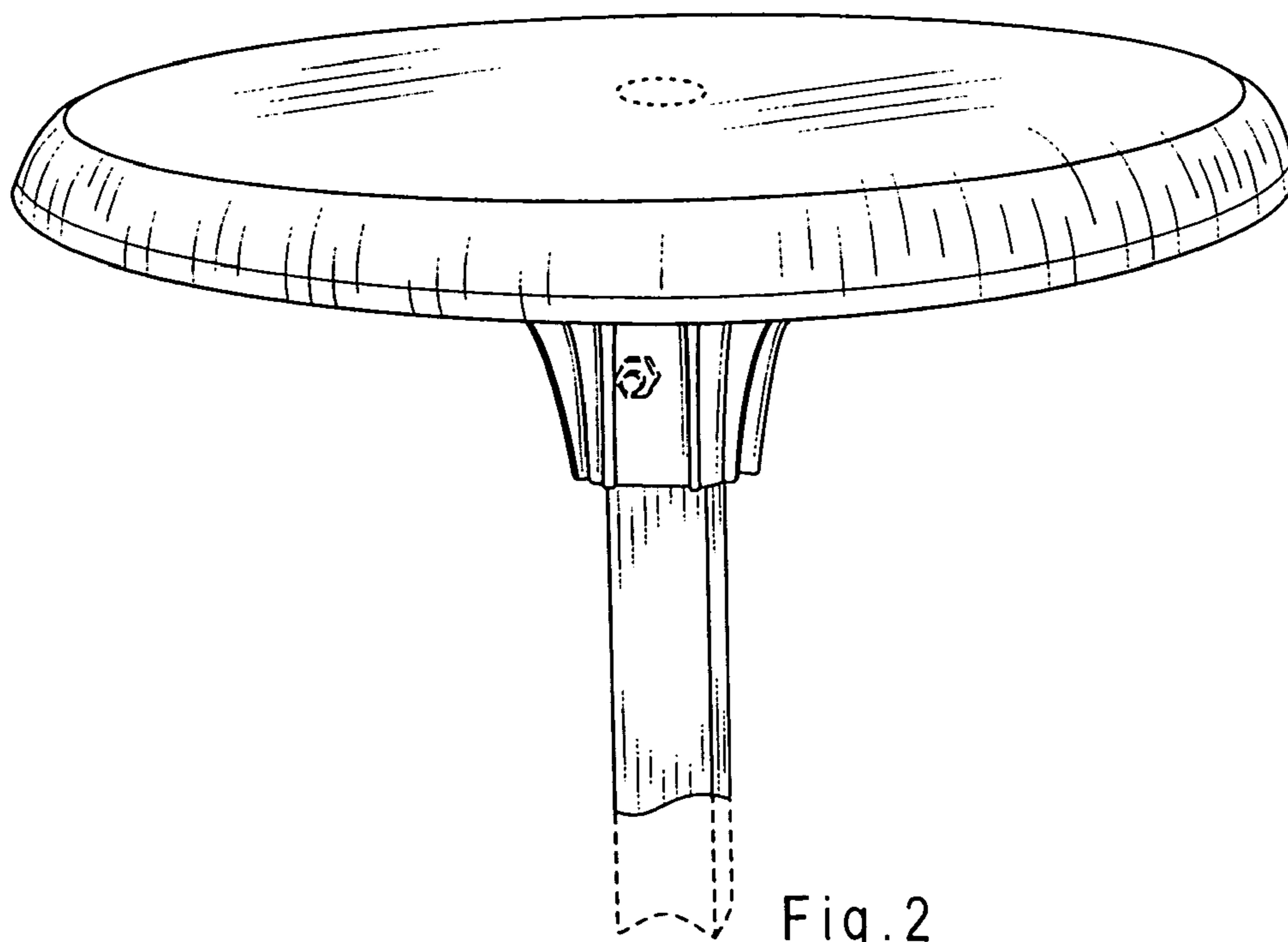


Fig. 2

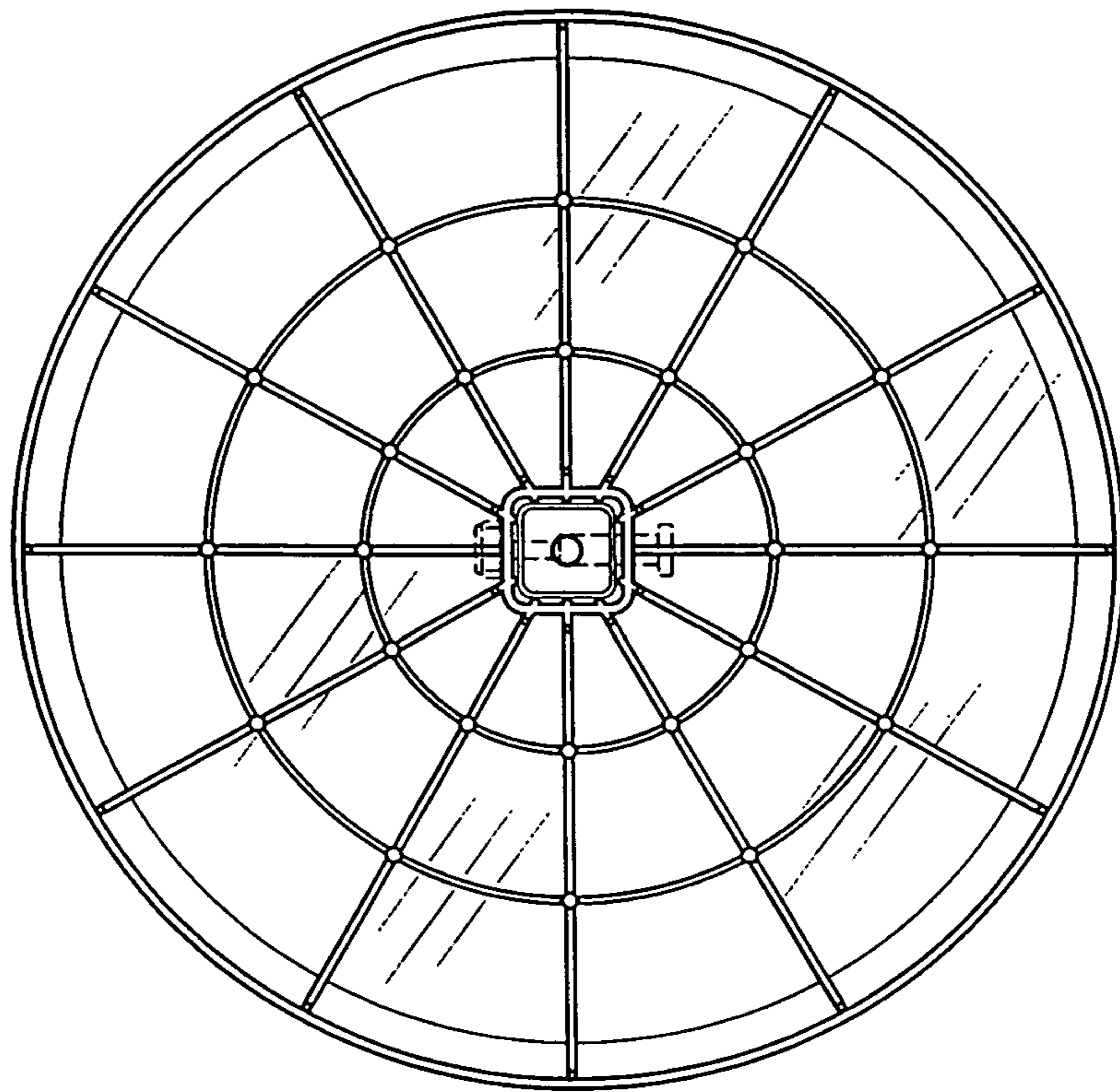


Fig. 3

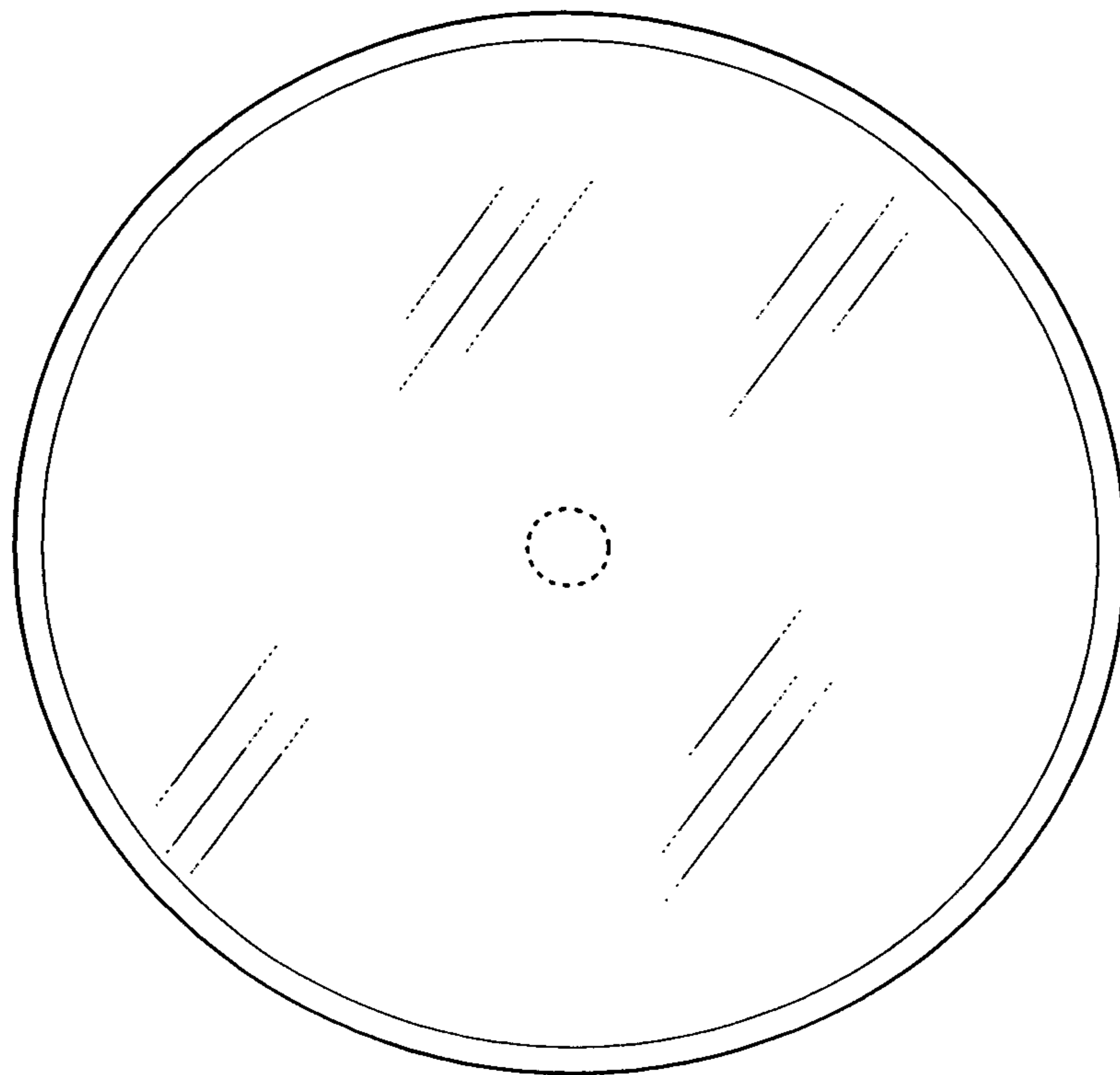


Fig. 4

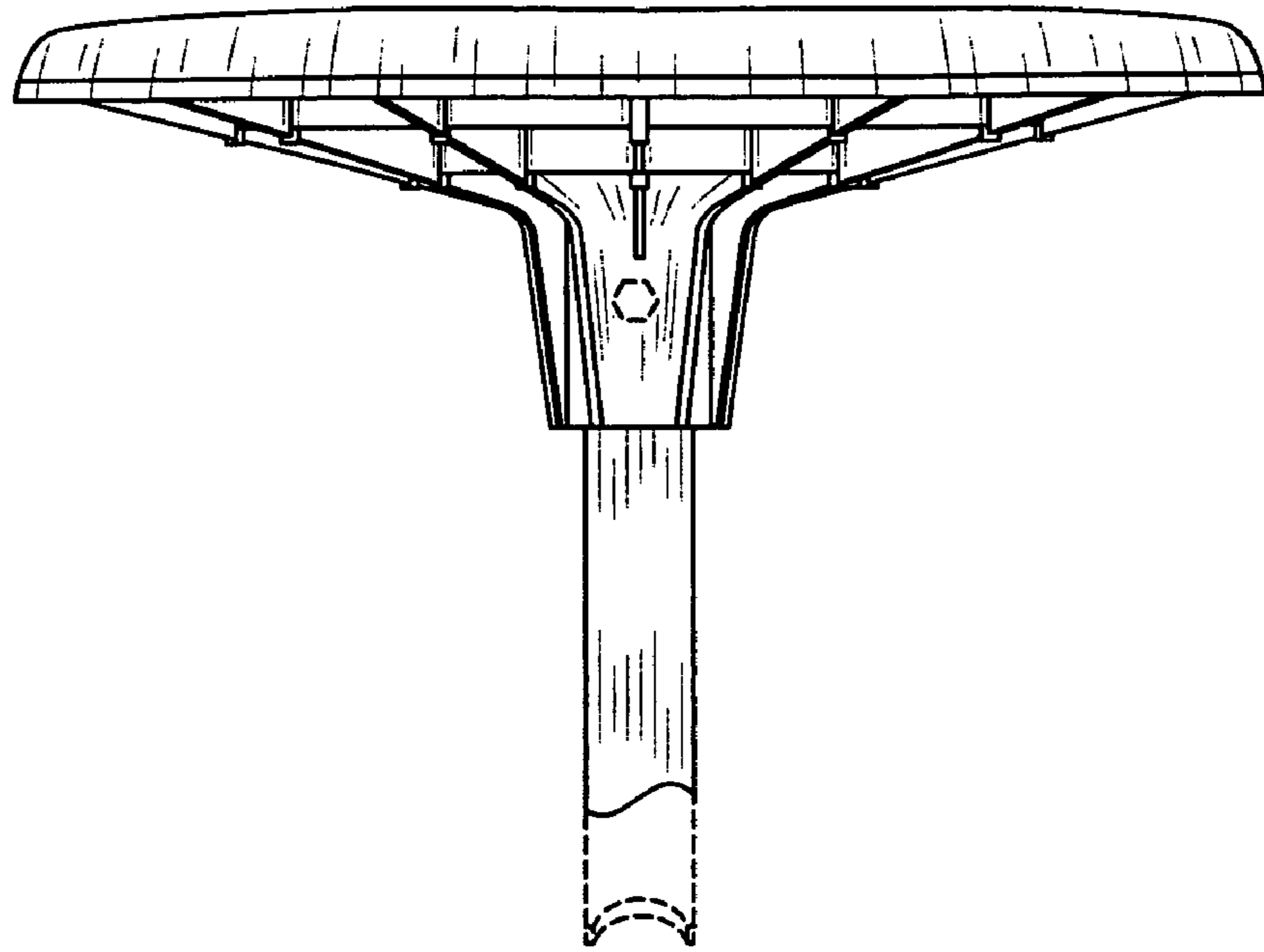


Fig. 5

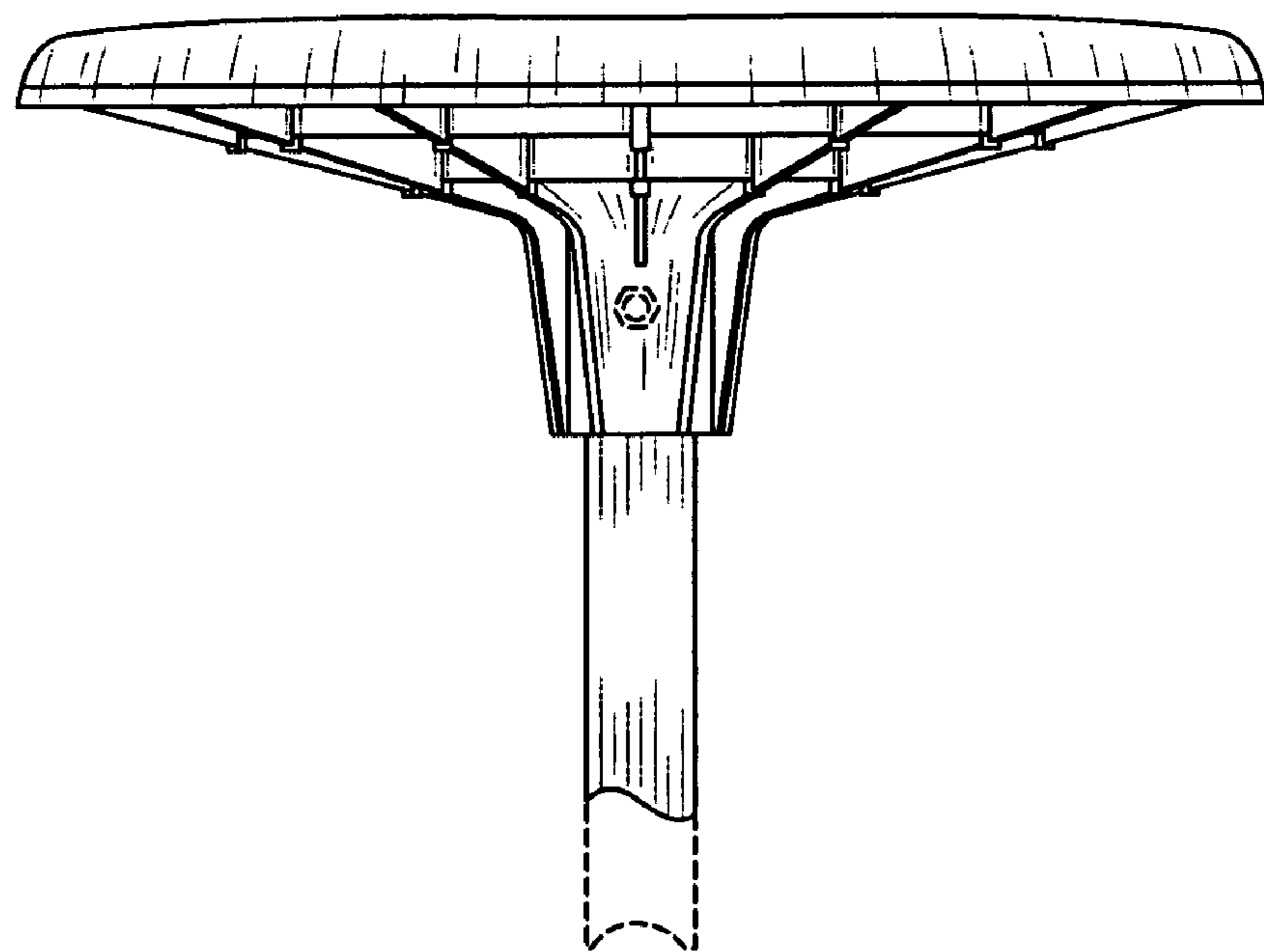


Fig. 6

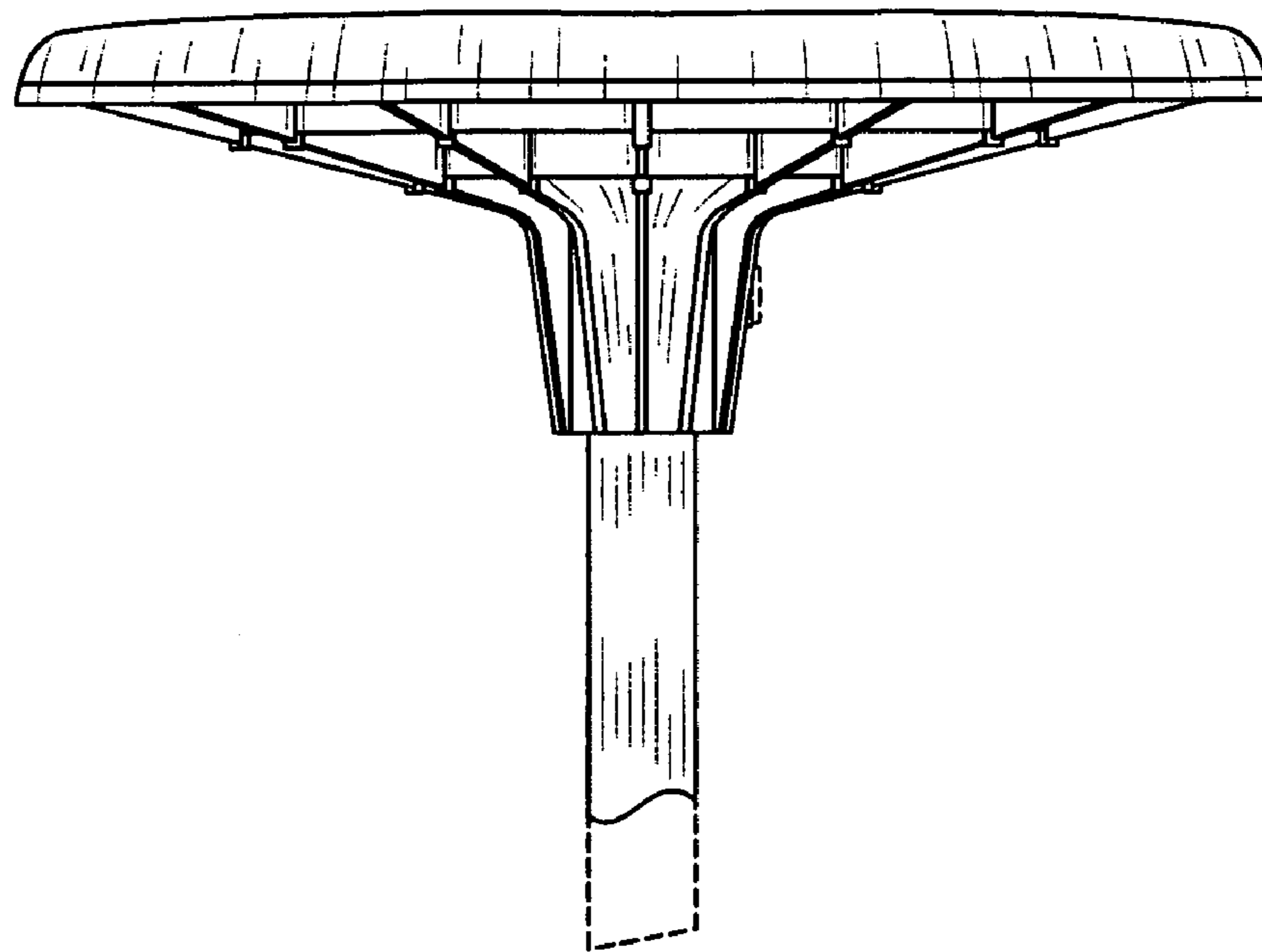


Fig. 7

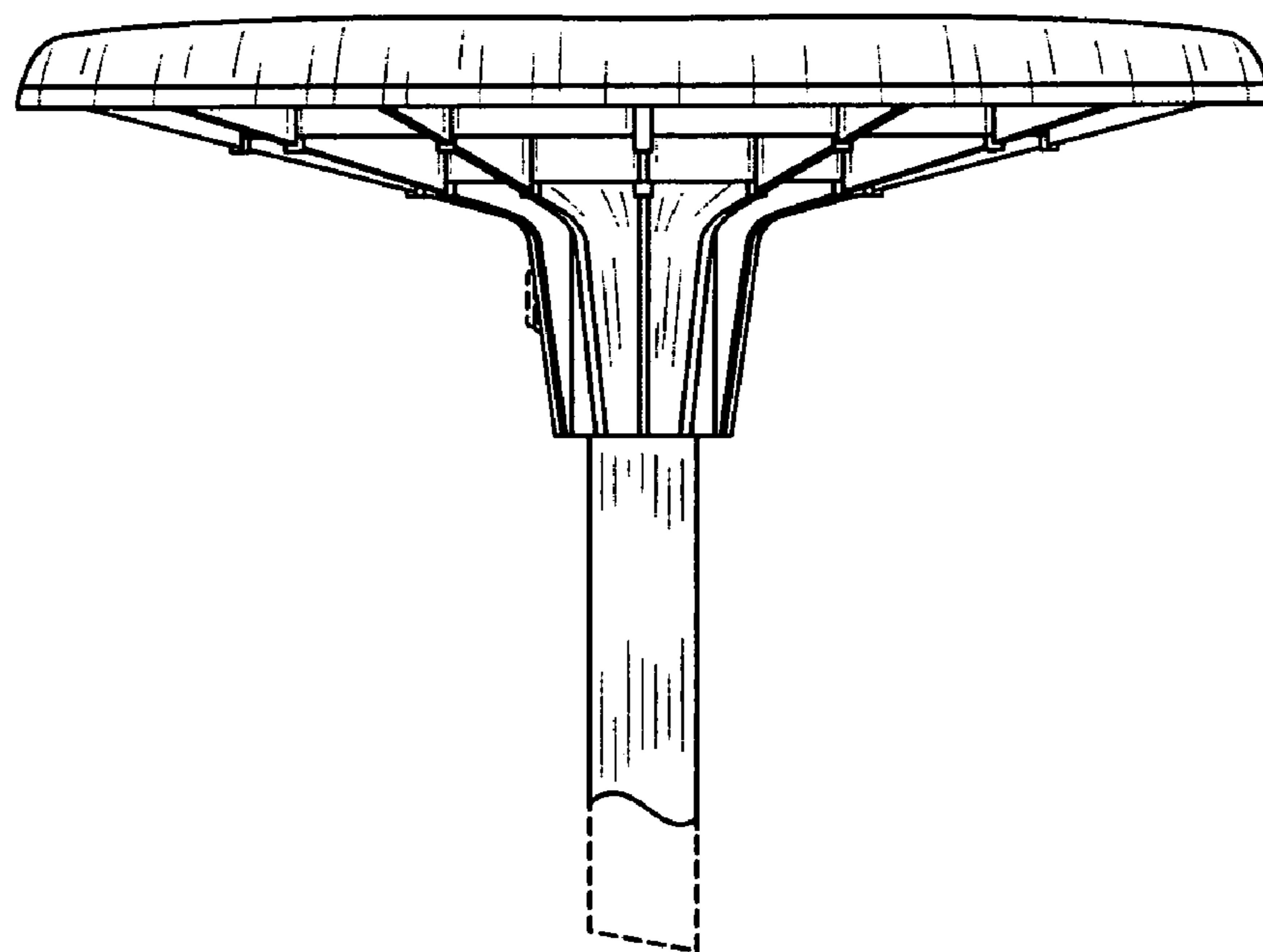


Fig. 8