

US00D595960S

(12) **United States Design Patent**
Teitloff et al.

(10) **Patent No.:** **US D595,960 S**
(45) **Date of Patent:** **** Jul. 14, 2009**

(54) **BOWLING BALL CARRIER WITH PIVOTING LEG SUPPORTS**

D537,628 S * 3/2007 Teitloff et al. D3/258
2005/0034947 A1 * 2/2005 Nykoluk 190/18 A
2006/0006034 A1 * 1/2006 Nordstrom 190/18 A
2006/0091627 A1 * 5/2006 Handelman et al. 280/47.26

(75) Inventors: **Randall R. Teitloff**, Paducah, KY (US);
Robert Reid, Hopkinsville, KY (US)

OTHER PUBLICATIONS

(73) Assignee: **Ebonite Holdings, Inc.**, Hopkinsville, KY (US)

Ebonite Fastbreak IV Wheeled Bowling Bag at Dick's Sporting Goods. Downloaded May 18, 2007 at <http://www.dickssporting-goods.com/product/index/sp?productid=1926371>.
Ebonite Grand Tour IV—4 Ball Rolling Bag at CBS Sports Store. Downloaded May 18, 2007 at <http://www.cbssportsstore.com/smebonite-grand-tour-iv-4-ball-rolling-bag—pi-2369109.html>.*

(**) Term: **14 Years**

* cited by examiner

(21) Appl. No.: **29/261,989**

(22) Filed: **Jun. 23, 2006**

Primary Examiner—Philip S Hyder

(51) **LOC (9) Cl.** **03-99**

Assistant Examiner—Roselynn Cody

(52) **U.S. Cl.** **D3/328**

(74) *Attorney, Agent, or Firm*—Wyatt, Tarrant & Combs, LLP; Matthew A. Williams; H. Roy Berkenstock

(58) **Field of Classification Search** D3/254,
D3/257–258, 273–274, 276, 279, 283–285,
D3/289, 902, 904; D34/25–26; 190/18 R,
190/18 A, 107, 109, 111–112, 115, 127, 903;
280/37–40, 47.17–47.19, 47.24, 47.26, 47.371;
206/315.1, 315.9, 315.91; 224/919

(57) **CLAIM**

See application file for complete search history.

The ornamental design for a bowling ball carrier with pivoting leg supports, as shown and described.

DESCRIPTION

(56) **References Cited**

FIG. 1 is a perspective view showing a new design for a bowling ball carrier with pivoting leg supports, with the legs extended; and,

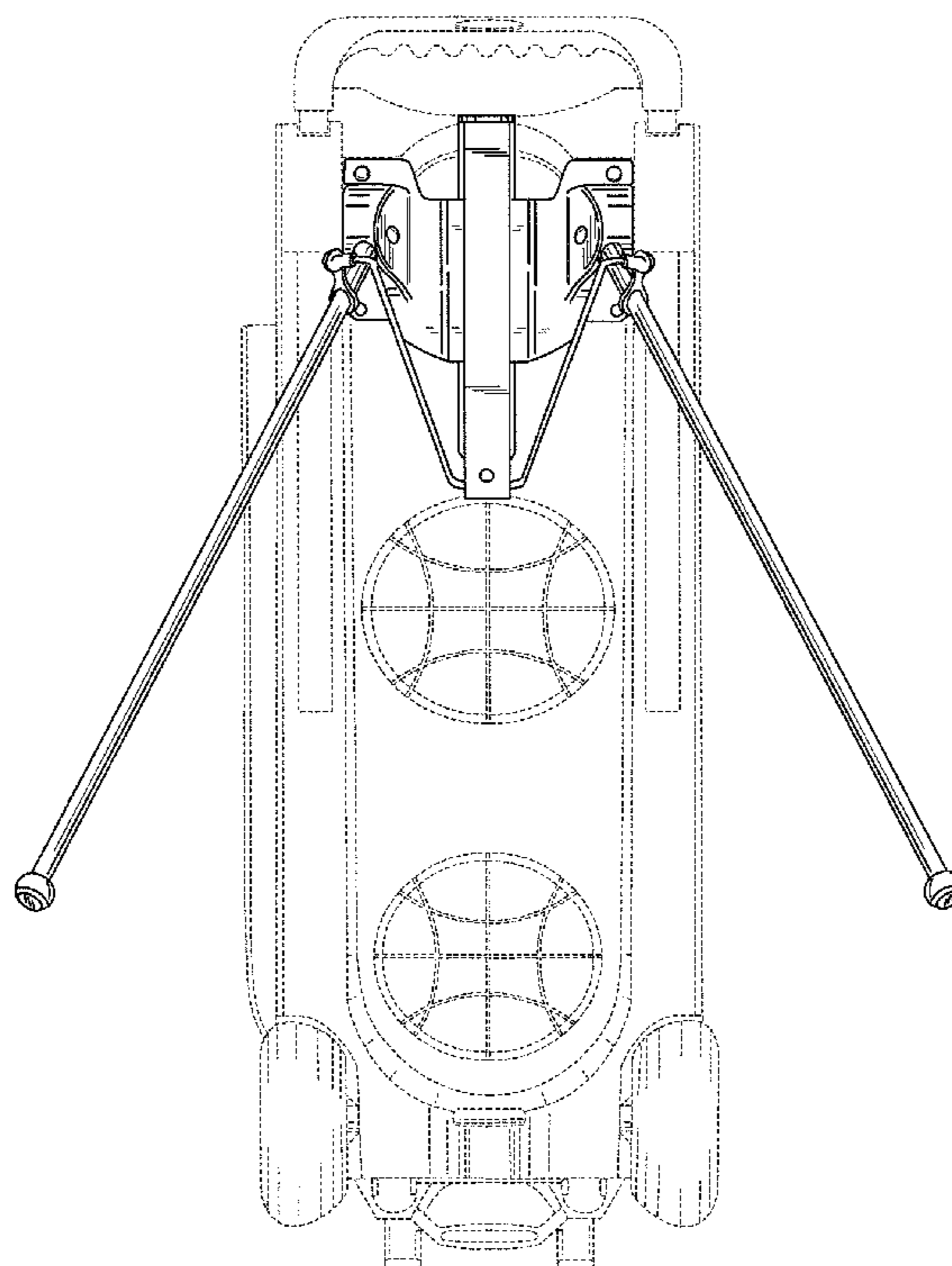
U.S. PATENT DOCUMENTS

FIG. 2 is a bottom view thereof.

4,066,156	A *	1/1978	Basile	190/18 A
5,074,571	A *	12/1991	Reese	280/47.19
6,099,023	A *	8/2000	Be	280/655
6,604,617	B2 *	8/2003	Davis et al.	190/107
6,722,671	B2 *	4/2004	Be	280/47.26
6,926,129	B2 *	8/2005	Hoberman	190/107
D532,970	S *	12/2006	Teitloff et al.	D3/258

The broken lines in the drawings represent environmental structure that forms no part of the design to be patented.

1 Claim, 2 Drawing Sheets



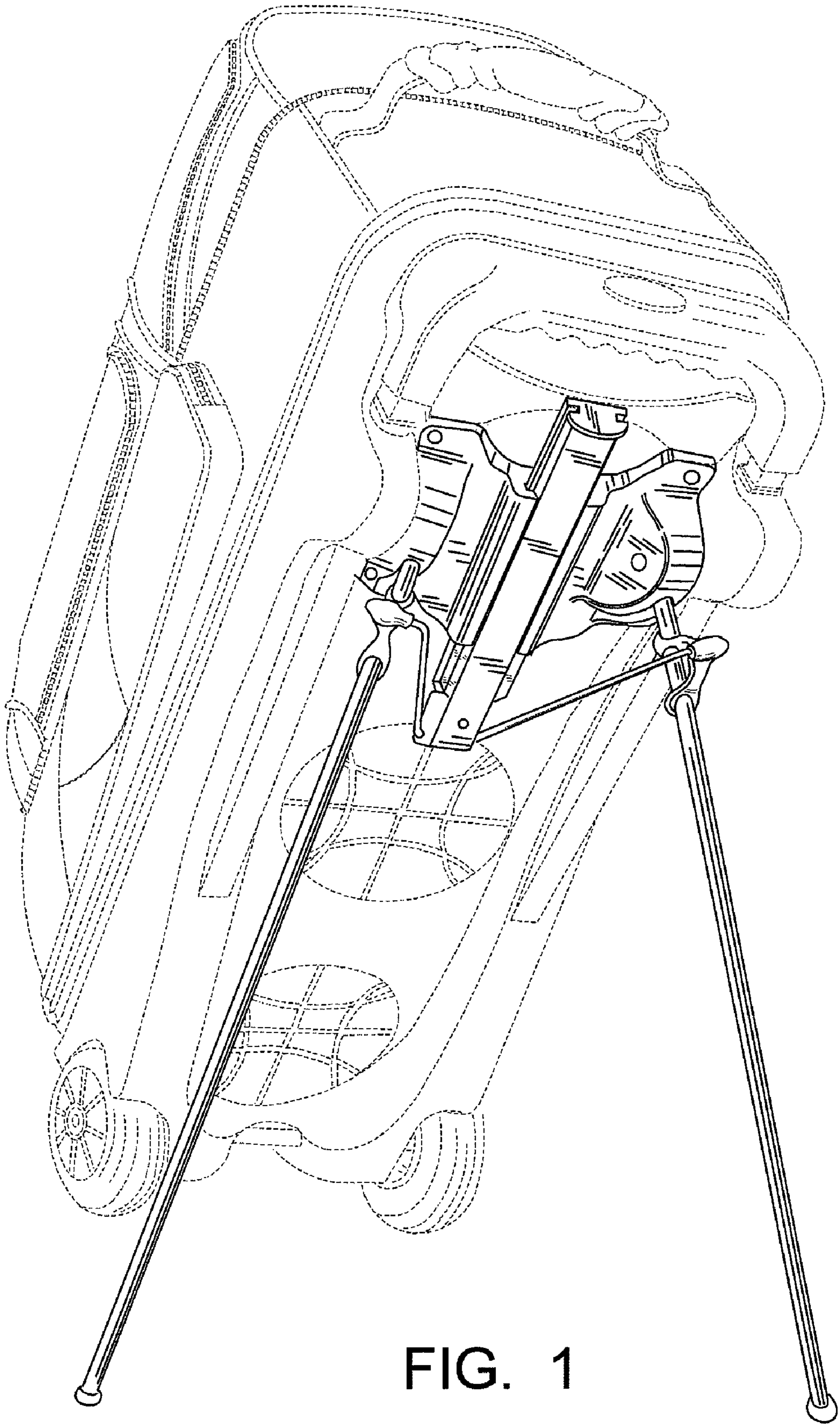


FIG. 1

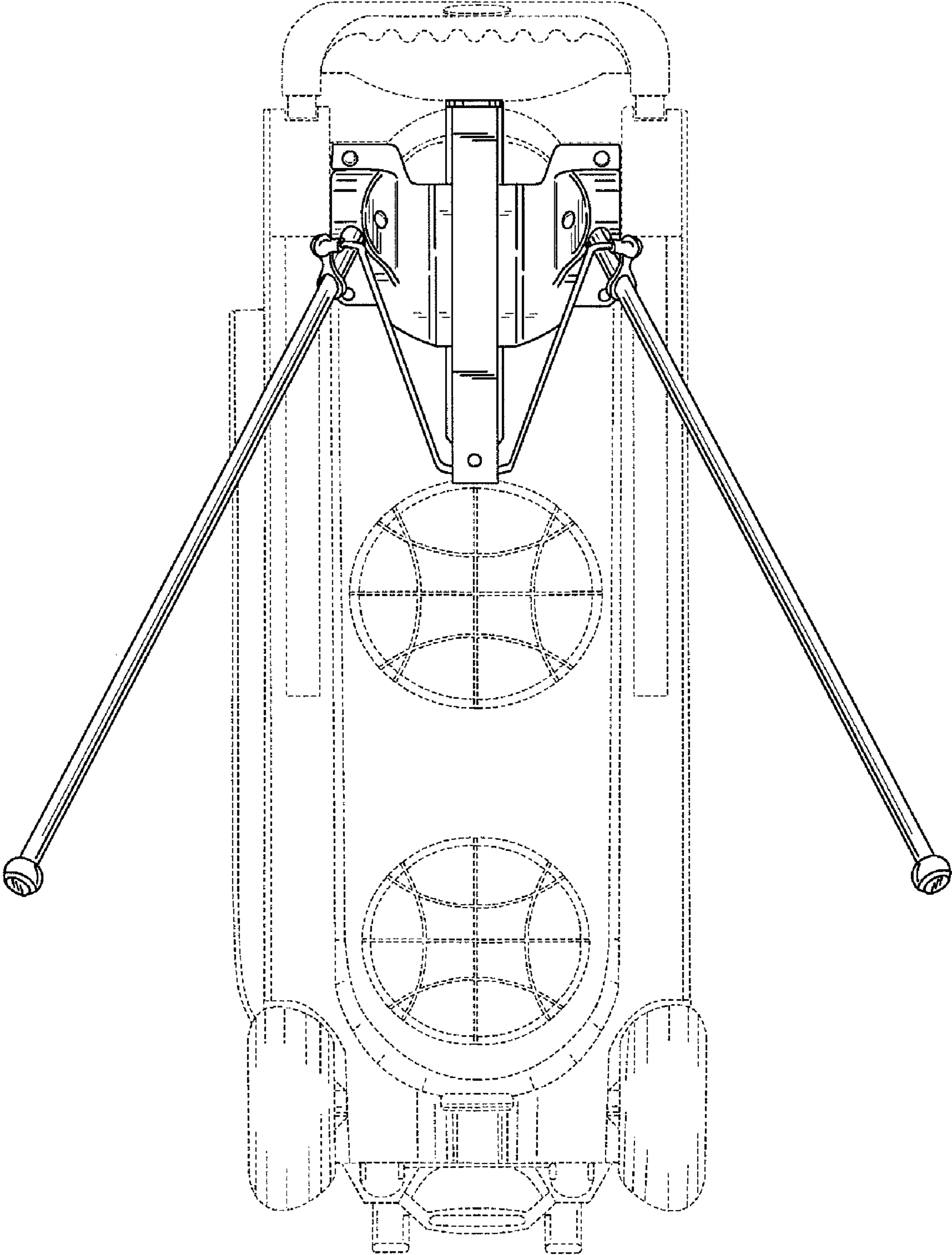


FIG. 2