



US00D595958S

(12) **United States Design Patent**  
**Twig**

(10) **Patent No.:** **US D595,958 S**  
(45) **Date of Patent:** **\*\* Jul. 14, 2009**

(54) **ORGANIZER DRAWER**

D529,716 S \* 10/2006 Wang ..... D3/282  
7,121,407 B2 \* 10/2006 Hurt et al. .... 206/373

(75) Inventor: **Noam Twig**, Tikva (IL)

(73) Assignee: **ZAG Industries, Ltd.**, Rosh Ha' Ayin (IL)

(\*\*) Term: **14 Years**

(21) Appl. No.: **29/317,683**

(22) Filed: **May 5, 2008**

(51) **LOC (9) Cl.** ..... **03-01**

(52) **U.S. Cl.** ..... **D3/294; D3/905**

(58) **Field of Classification Search** ..... D3/273,  
D3/276, 282, 294-297, 905; 206/349, 372-373  
See application file for complete search history.

(56) **References Cited**

**U.S. PATENT DOCUMENTS**

4,344,646	A	*	8/1982	Michel	.....	292/87
D329,331	S	*	9/1992	Hobson	.....	D3/294
D351,727	S	*	10/1994	Tarozzi	.....	D3/276
D356,891	S	*	4/1995	Hobson	.....	D3/294
D369,901	S	*	5/1996	Laube	.....	D3/205
D391,760	S	*	3/1998	Zeller	.....	D3/281
D406,192	S	*	3/1999	Schurman	.....	D3/282
D413,440	S	*	9/1999	Schurman	.....	D3/282
D431,112	S	*	9/2000	Ahern et al.	.....	D3/323
D470,658	S	*	2/2003	Chunn et al.	.....	D3/282
D477,913	S	*	8/2003	Fang	.....	D3/282
D478,209	S	*	8/2003	Chen	.....	D3/282
D505,549	S	*	5/2005	Hosking	.....	D14/509
D507,877	S	*	8/2005	Lin	.....	D3/282
D523,635	S	*	6/2006	Chen	.....	D3/282

**OTHER PUBLICATIONS**

Stanley [Registered Trademark] Deep Professional Organizer. Downloaded Feb. 5, 2009 at [http://www.stanleytools.com/default.asp?CATEGORY=ZAG+ORGANIZERS&TYPE=P...RTNUMBER=014708R&SDesc=Stanley%26%23174%3B+Deep+Professional+Organizer.\\*](http://www.stanleytools.com/default.asp?CATEGORY=ZAG+ORGANIZERS&TYPE=P...RTNUMBER=014708R&SDesc=Stanley%26%23174%3B+Deep+Professional+Organizer.*)

\* cited by examiner

*Primary Examiner*—Philip S Hyder  
*Assistant Examiner*—RoseLynne Cody

(74) *Attorney, Agent, or Firm*—Pillsbury Winthrop Shaw Pittman LLP

(57) **CLAIM**

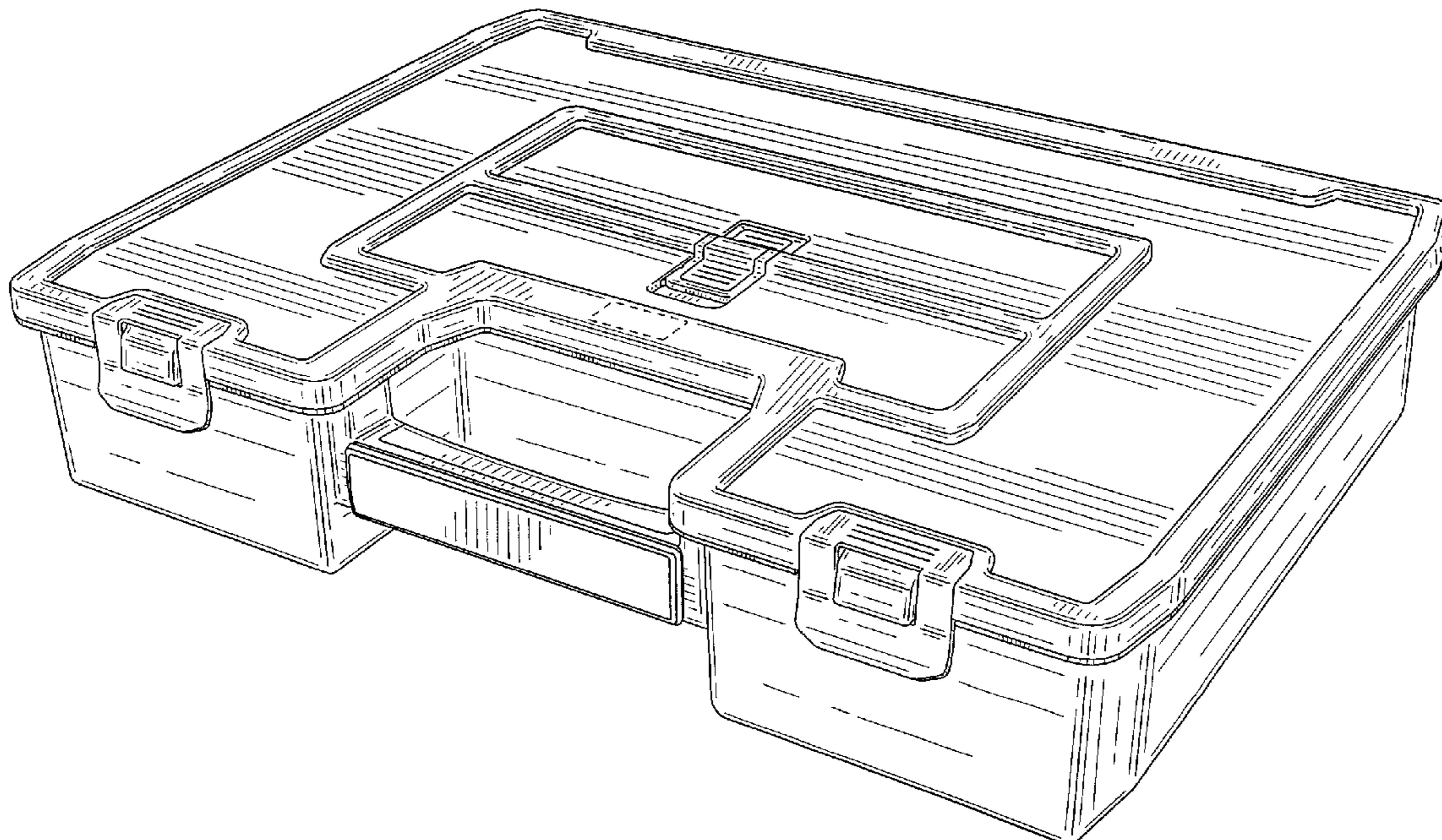
The ornamental design for an organizer drawer, as shown and described.

**DESCRIPTION**

FIG. 1 is a perspective illustration of an embodiment of the organizer drawer according to my design;  
FIG. 2 is a front plan view thereof;  
FIG. 3 is a rear plan view thereof;  
FIG. 4 is a left side view thereof, the right side being a mirror image thereof; and,  
FIG. 5 is a top plan view thereof.

Where included, broken lines showing environment or structure are for illustrative purposes only and form no part of the claimed design.

**1 Claim, 3 Drawing Sheets**



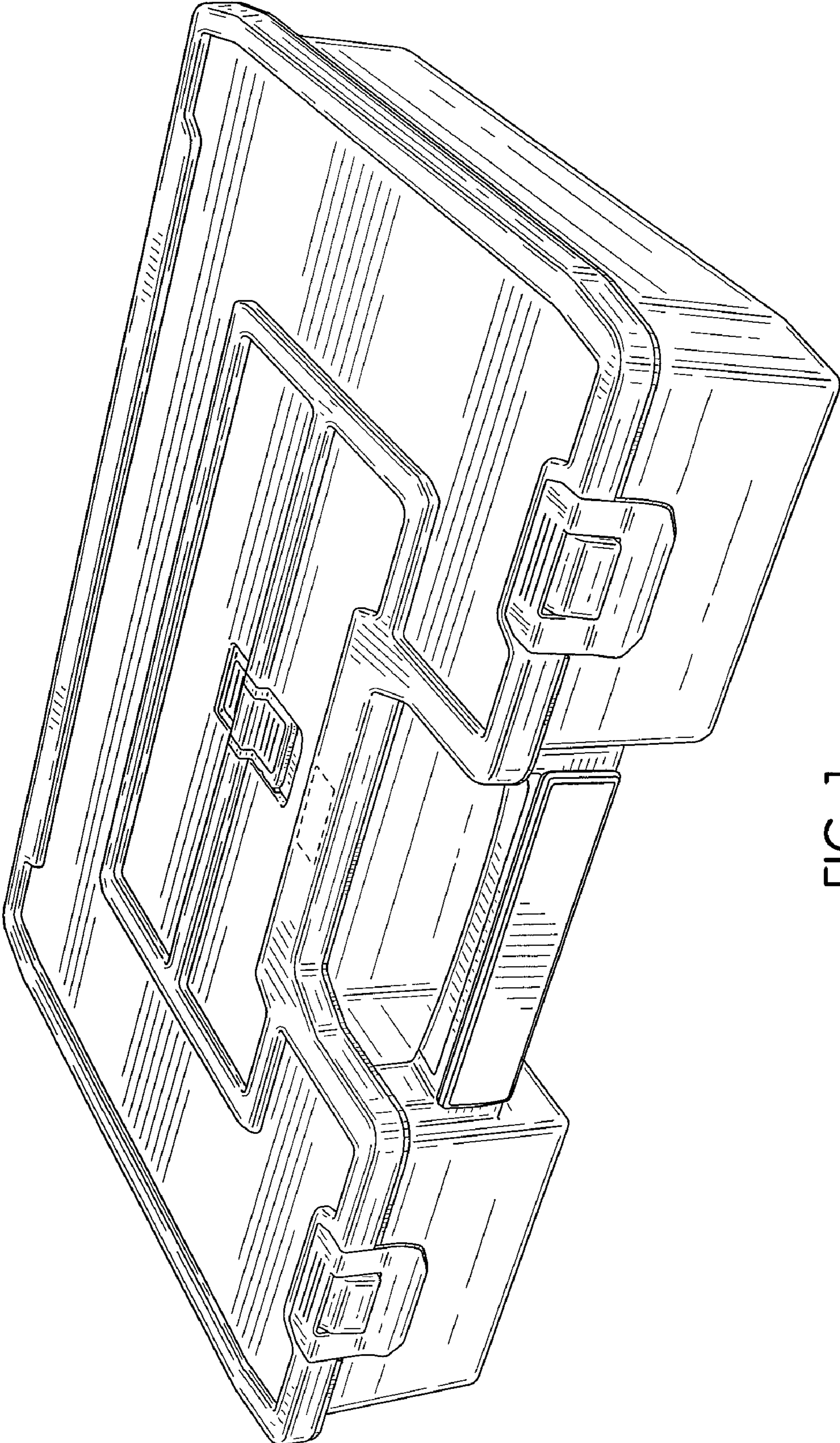


FIG. 1



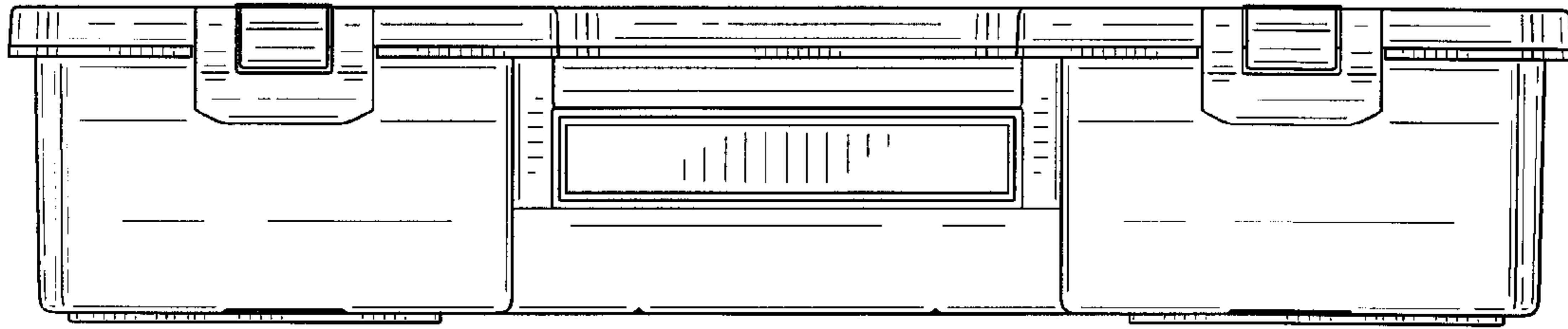


FIG. 2

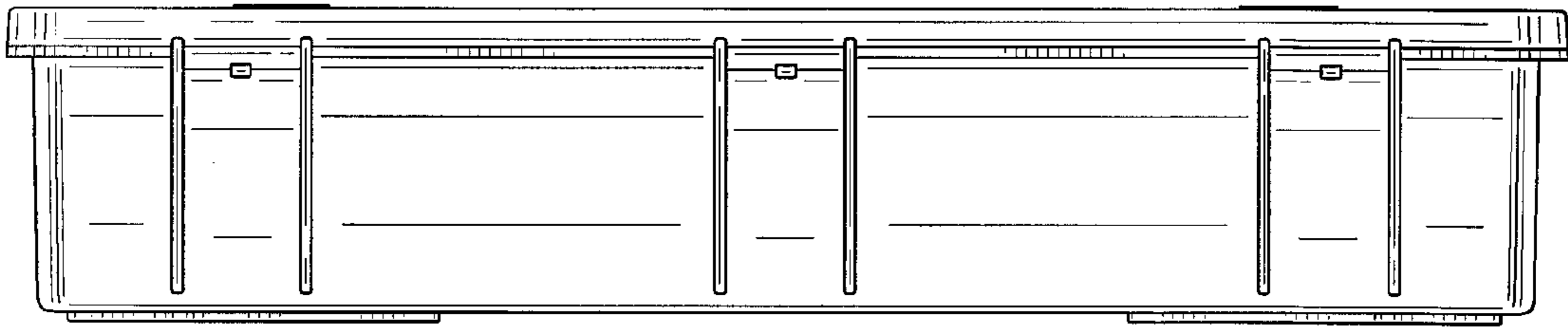


FIG. 3

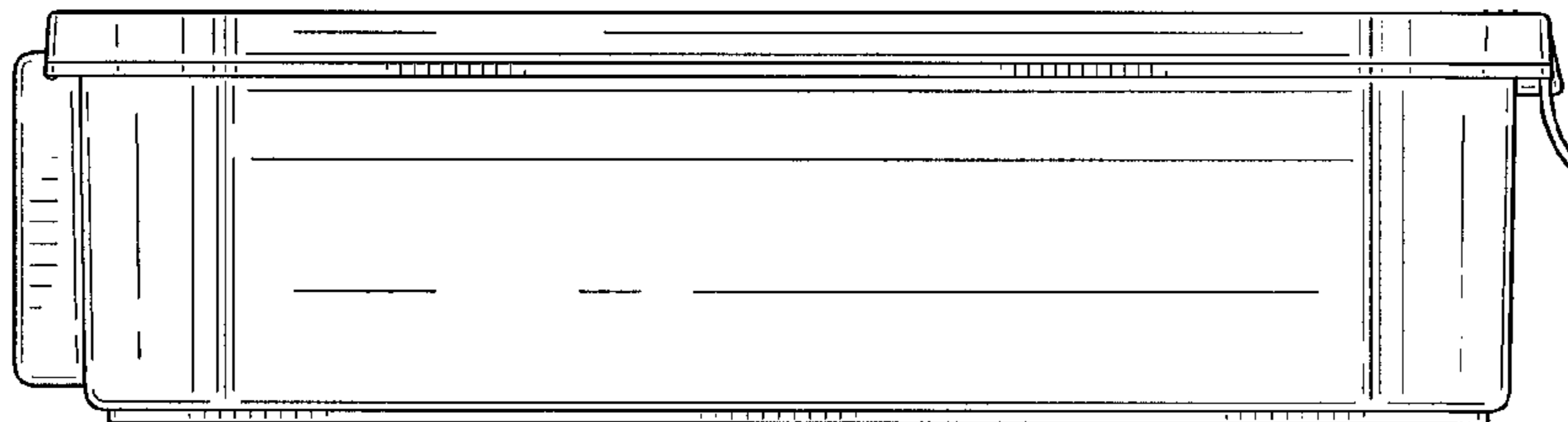


FIG. 4

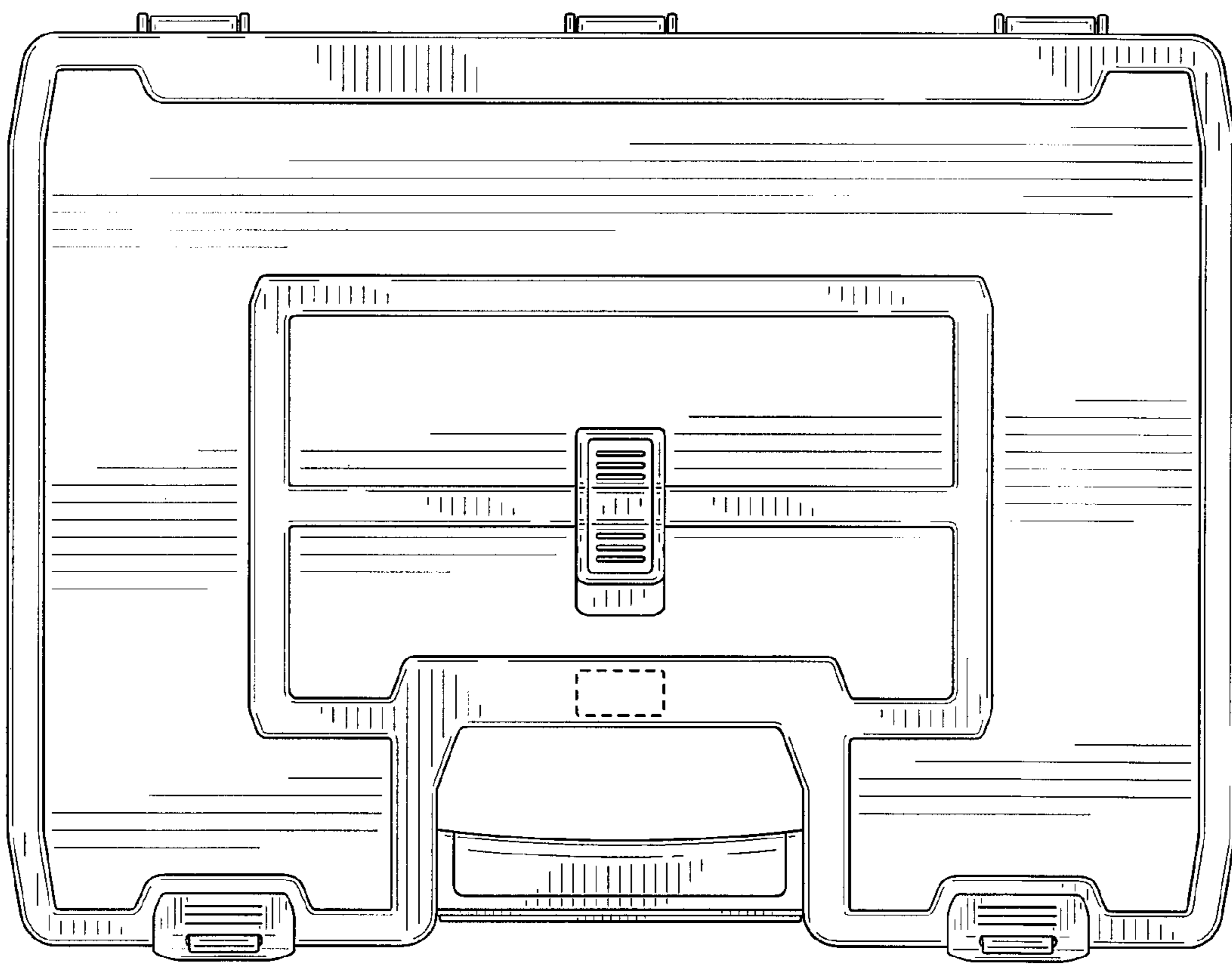


FIG. 5