



US00D595944S

(12) **United States Design Patent**
Anderson et al.

(10) **Patent No.:** **US D595,944 S**
(45) **Date of Patent:** **** Jul. 14, 2009**

(54) **SHOE INSOLE**
(75) Inventors: **Daniel D. Anderson**, Minneapolis, MN
(US); **Jon A. Kirschhoffer**, White Bear
Lake, MN (US)

D396,948 S 8/1998 Moore et al.
D423,766 S * 5/2000 Genga D2/961
D461,300 S 8/2002 Hall
D518,945 S 4/2006 Vasyli
D551,437 S 9/2007 Hung
D551,835 S 10/2007 Hung

(73) Assignee: **3M Innovative Properties Company**,
St. Paul, MN (US)

* cited by examiner

(**) Term: **14 Years**

Primary Examiner—Dominic Simone

(21) Appl. No.: **29/323,304**

(74) *Attorney, Agent, or Firm*—Karl G. Hanson

(22) Filed: **Aug. 22, 2008**

(57) **CLAIM**

(51) **LOC (9) Cl.** **02-99**

The ornamental design for a shoe insole, as shown and described.

(52) **U.S. Cl.** **D2/961**; 02/99

DESCRIPTION

(58) **Field of Classification Search** D2/946,
D2/961; 36/43, 44

FIG. 1 is a bottom perspective view, showing the new design for a shoe insole;

See application file for complete search history.

FIG. 2 is a bottom view thereof;

(56) **References Cited**

U.S. PATENT DOCUMENTS

2,139,971 A 12/1938 Pava
D268,303 S * 3/1983 Gaski D2/961
D288,383 S 2/1987 Autry
D289,103 S 4/1987 Autry
D295,690 S 5/1988 Finn
D302,764 S 8/1989 Peoples et al.
D350,432 S 9/1994 Saez
5,669,161 A * 9/1997 Huang 36/43
D388,948 S 1/1998 Sessa

FIG. 3 is a top view thereof;

FIG. 4 is a left side view thereof;

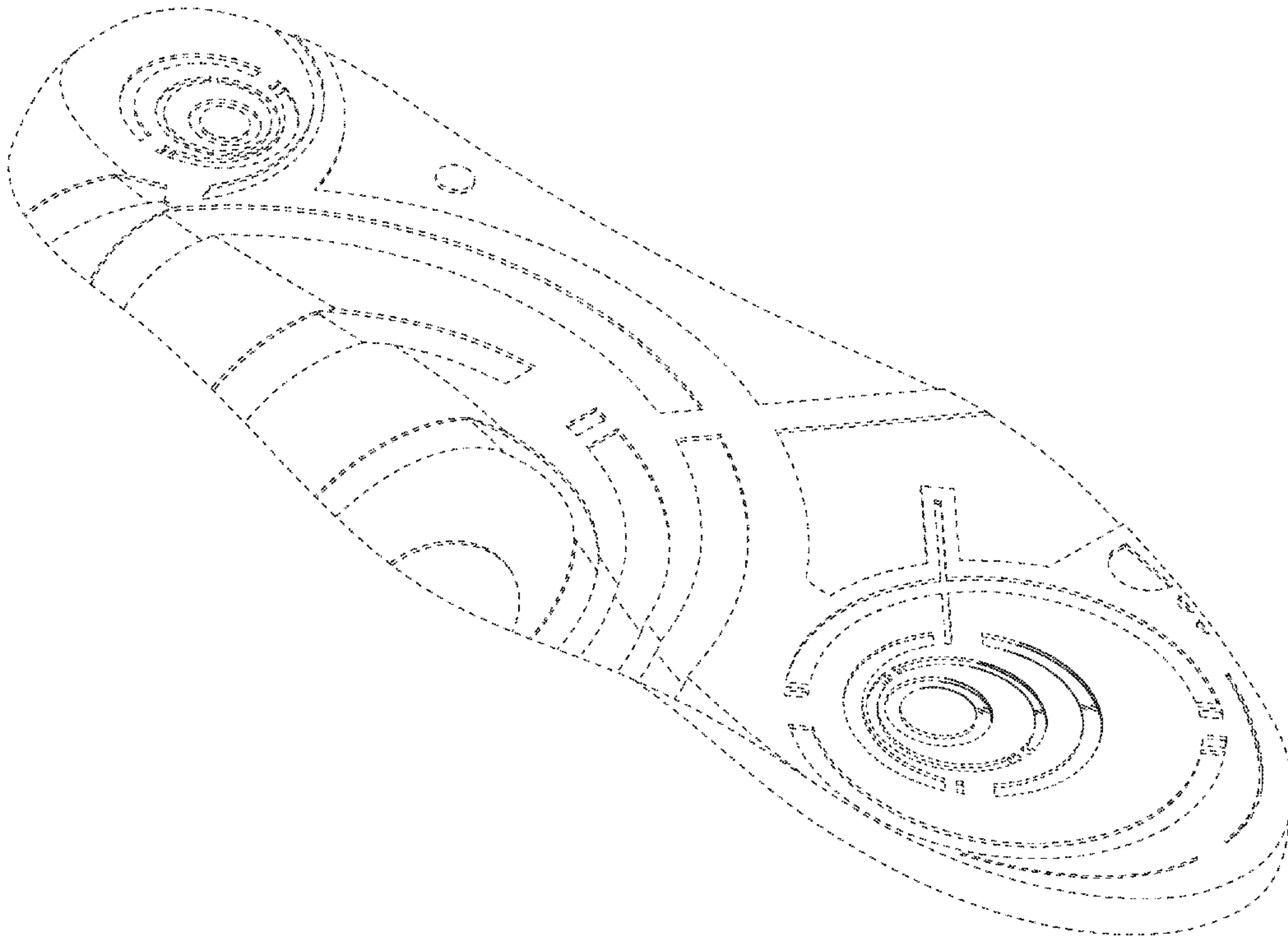
FIG. 5 is a right side view thereof;

FIG. 6 is a front view thereof; and,

FIG. 7 is a rear view thereof.

The broken line showing forms no part of the claimed design, and the shading is provided to illustrate contour only and is not an indication of texture, gloss, etc.

1 Claim, 4 Drawing Sheets



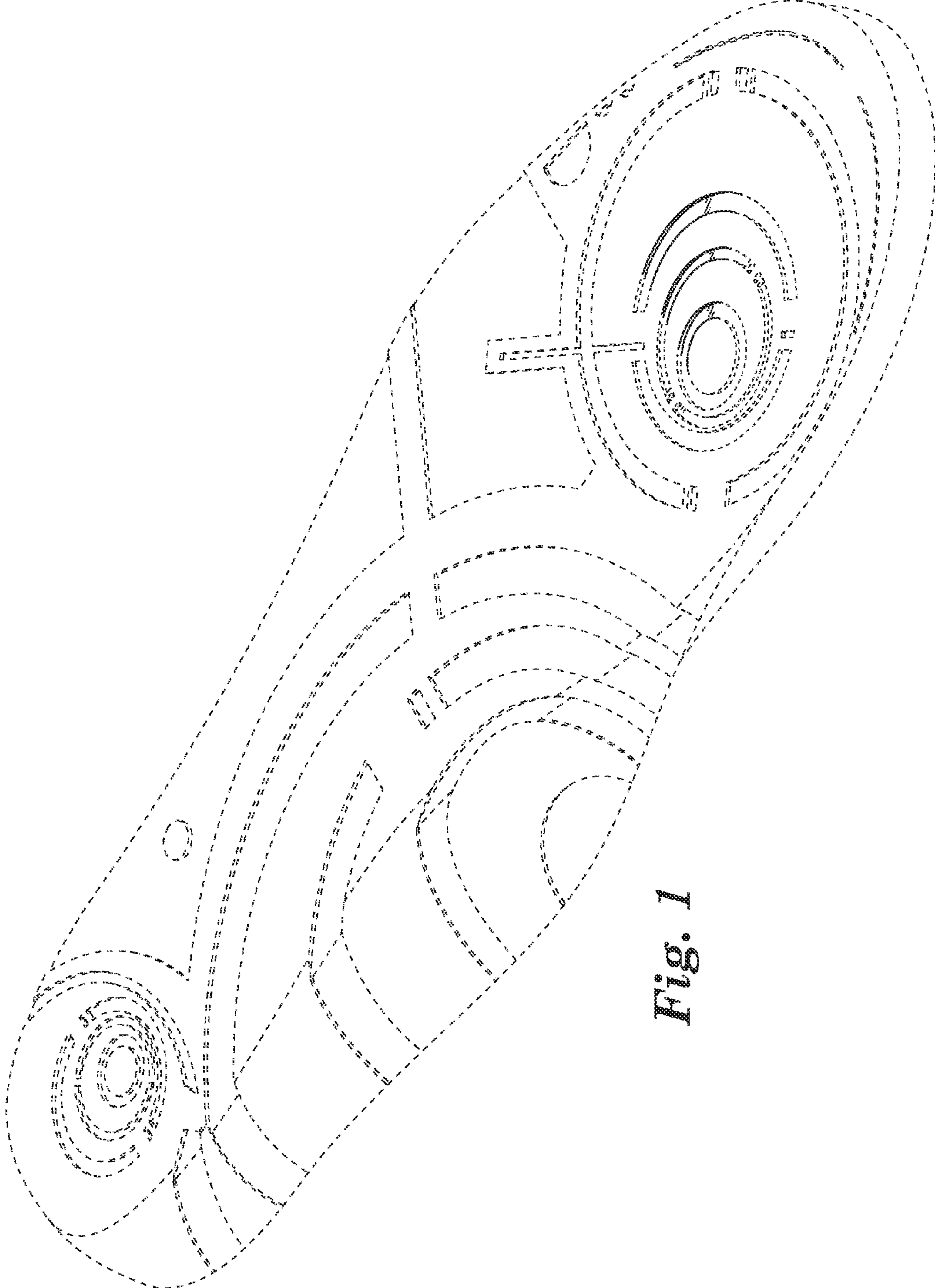


Fig. 1

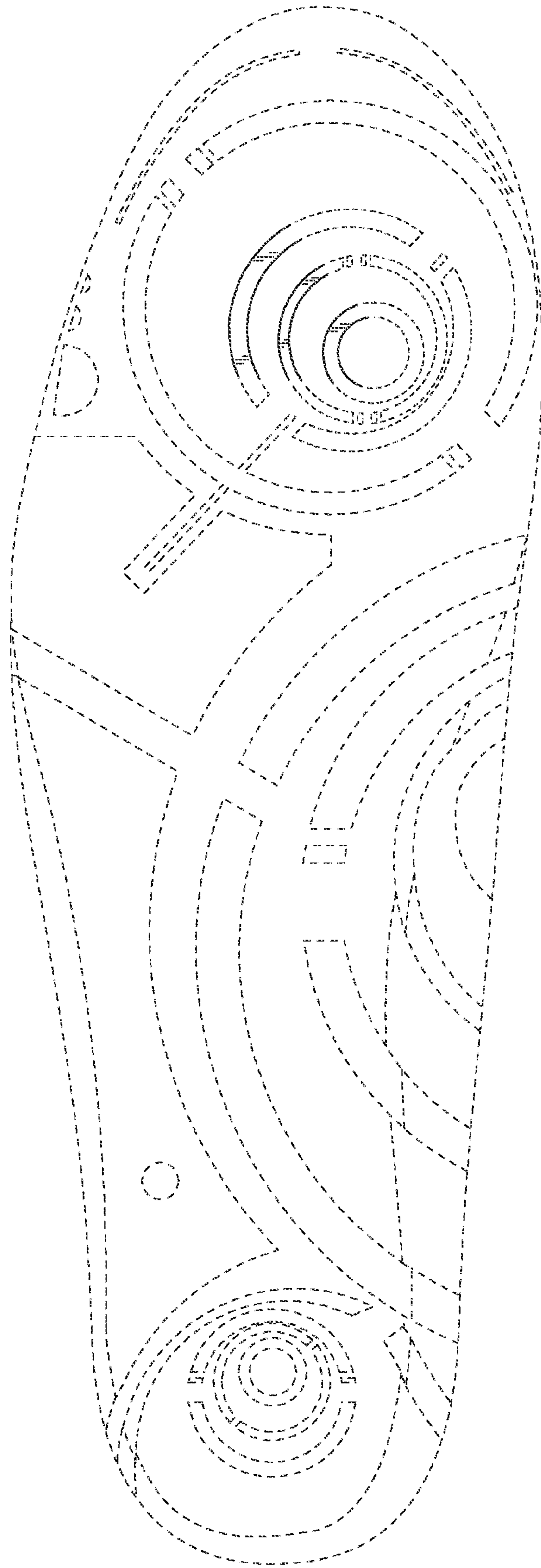


Fig. 2

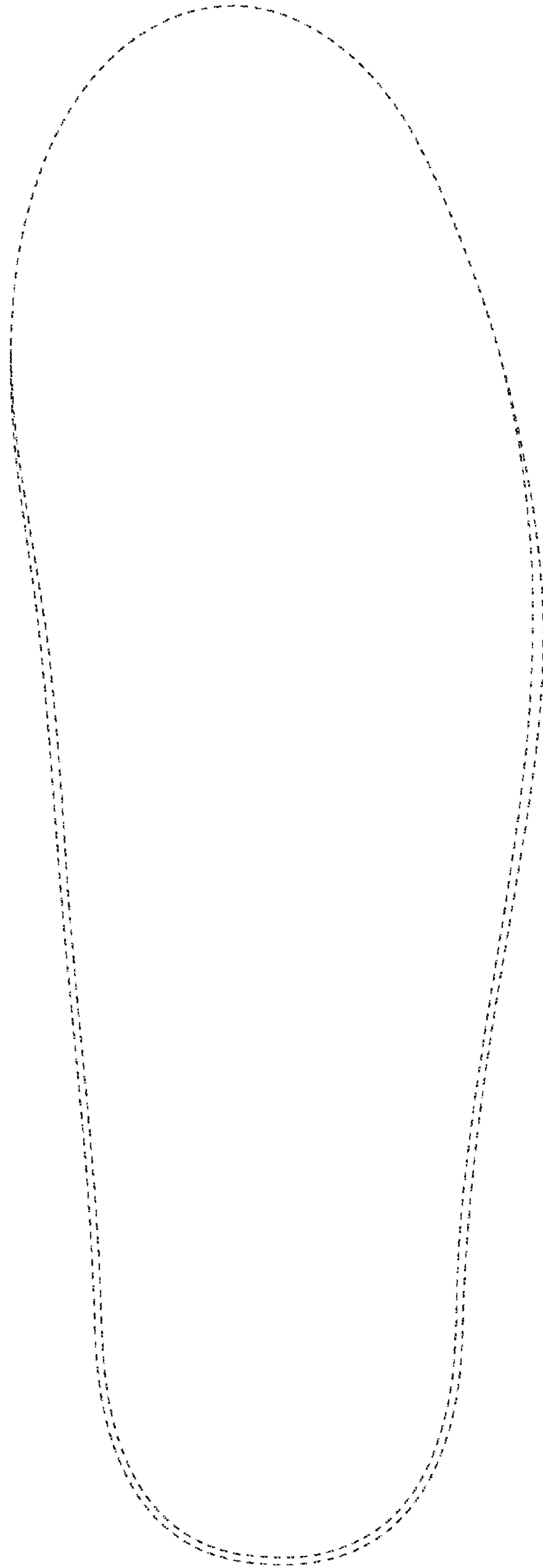


Fig. 3

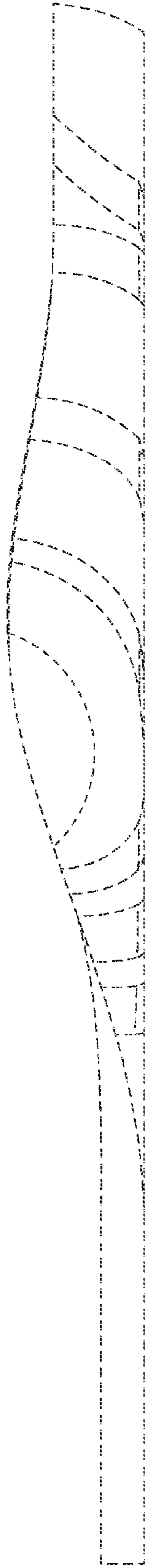


Fig. 4

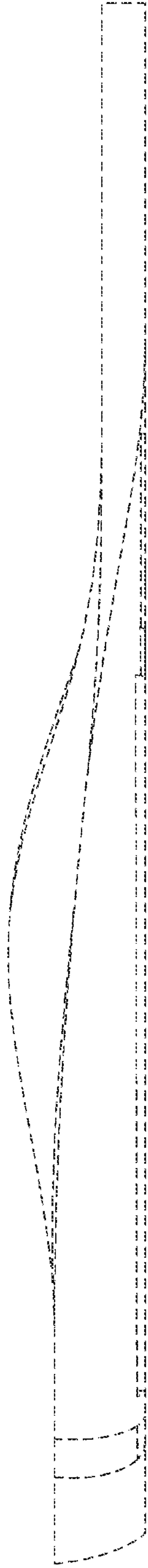


Fig. 5

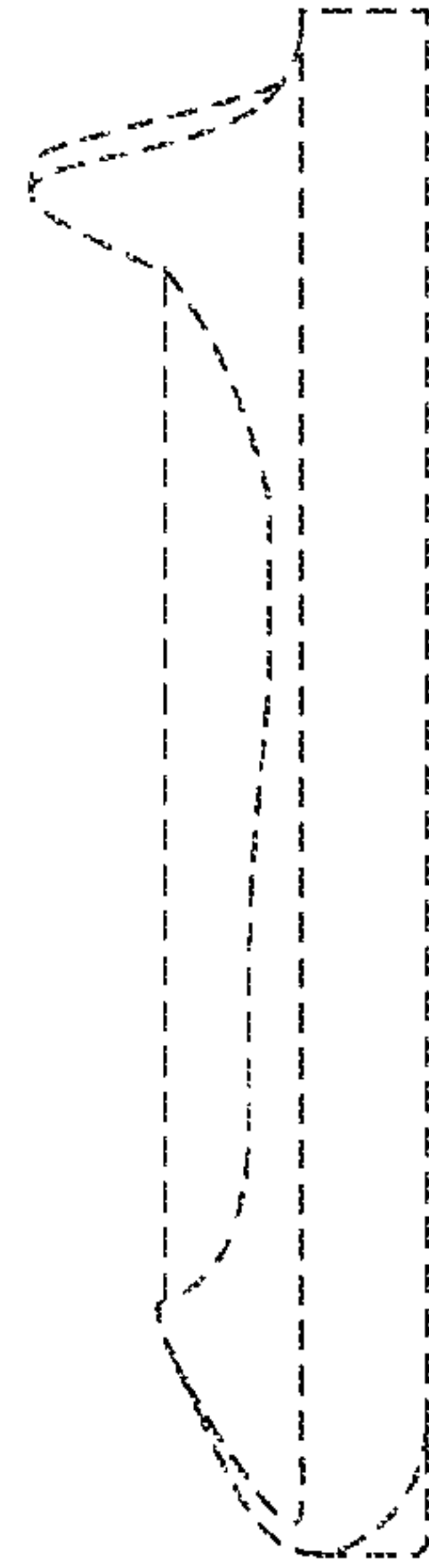


Fig. 6

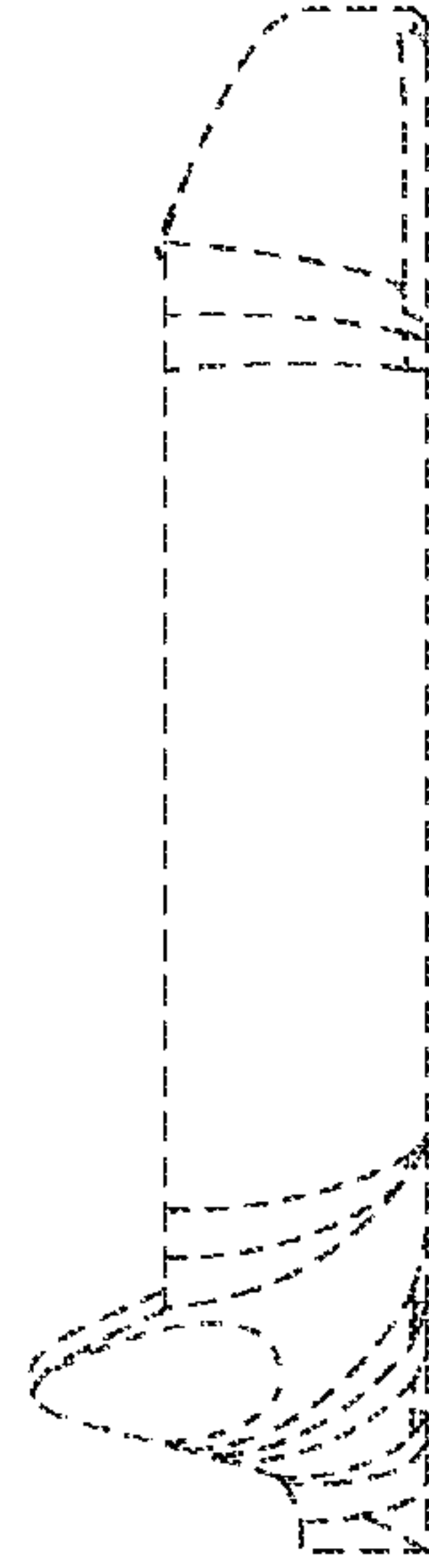


Fig. 7