



US00D595931S

(12) **United States Design Patent**
Reed

(10) **Patent No.:** **US D595,931 S**
(45) **Date of Patent:** **** Jul. 14, 2009**

(54) **BREAST SUPPORT PAD**

(76) Inventor: **Margareth Reed**, 1861 N. Glades Dr.,
Apt. 10, North Miami Beach, FL (US)
33162

(**) Term: **14 Years**

(21) Appl. No.: **29/323,590**

(22) Filed: **Aug. 27, 2008**

(51) **LOC (9) Cl.** **02-01**

(52) **U.S. Cl.** **D2/701**

(58) **Field of Classification Search** D2/706-711,
D2/731, 736, 853; 2/67, 73, 113, 118, 913;
450/50, 65, 70, 54, 53, 31; 5/630; 4/456
See application file for complete search history.

(56) **References Cited**

U.S. PATENT DOCUMENTS

2,793,369	A *	5/1957	Panighini	450/53
6,113,460	A *	9/2000	McKeown	450/31
6,256,804	B1 *	7/2001	Stevens	4/456
D523,212	S *	6/2006	Iourina	D2/706
7,144,295	B2 *	12/2006	Fisher	450/54

D575,934 S * 9/2008 Killinger D2/853

* cited by examiner

Primary Examiner—Ian Simmons

Assistant Examiner—Anna J Burmeister

(74) *Attorney, Agent, or Firm*—Gold & Rizvi, P.A.; H. John
Rizvi; Glenn E. Gold

(57) **CLAIM**

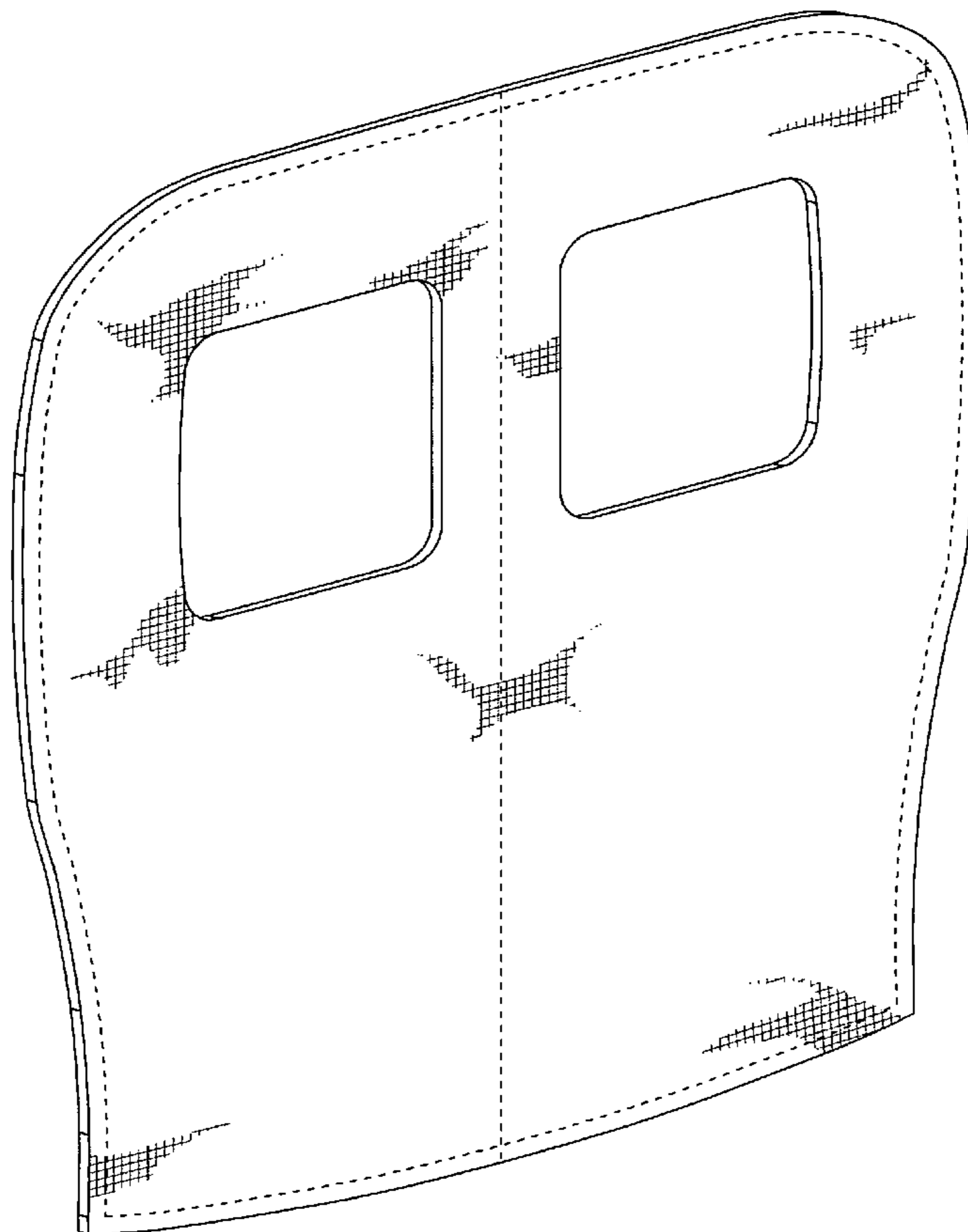
I claim the ornamental design for a breast support pad, as
shown and described.

DESCRIPTION

FIG. 1 is a front perspective view of a breast support pad;
FIG. 2 is a front side planar view of the breast support pad;
FIG. 3 is a top view thereof;
FIG. 4 is a bottom view thereof;
FIG. 5 is a left side view thereof;
FIG. 6 is a right side view thereof; and,
FIG. 7 is a backside planar view thereof.

The dashed lines shown in the drawing views represents a
stitching line.

1 Claim, 3 Drawing Sheets



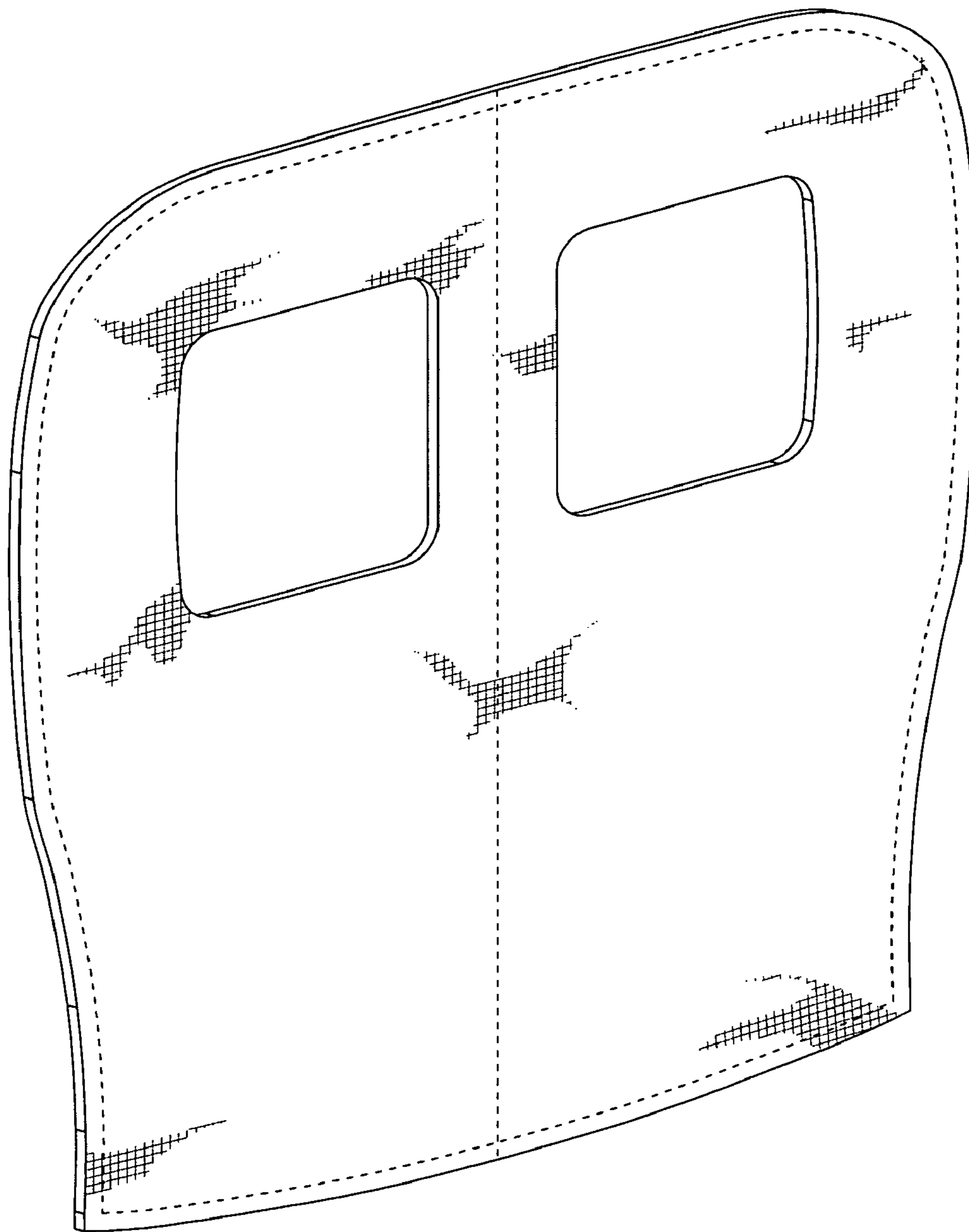


FIG. 1

FIG. 3

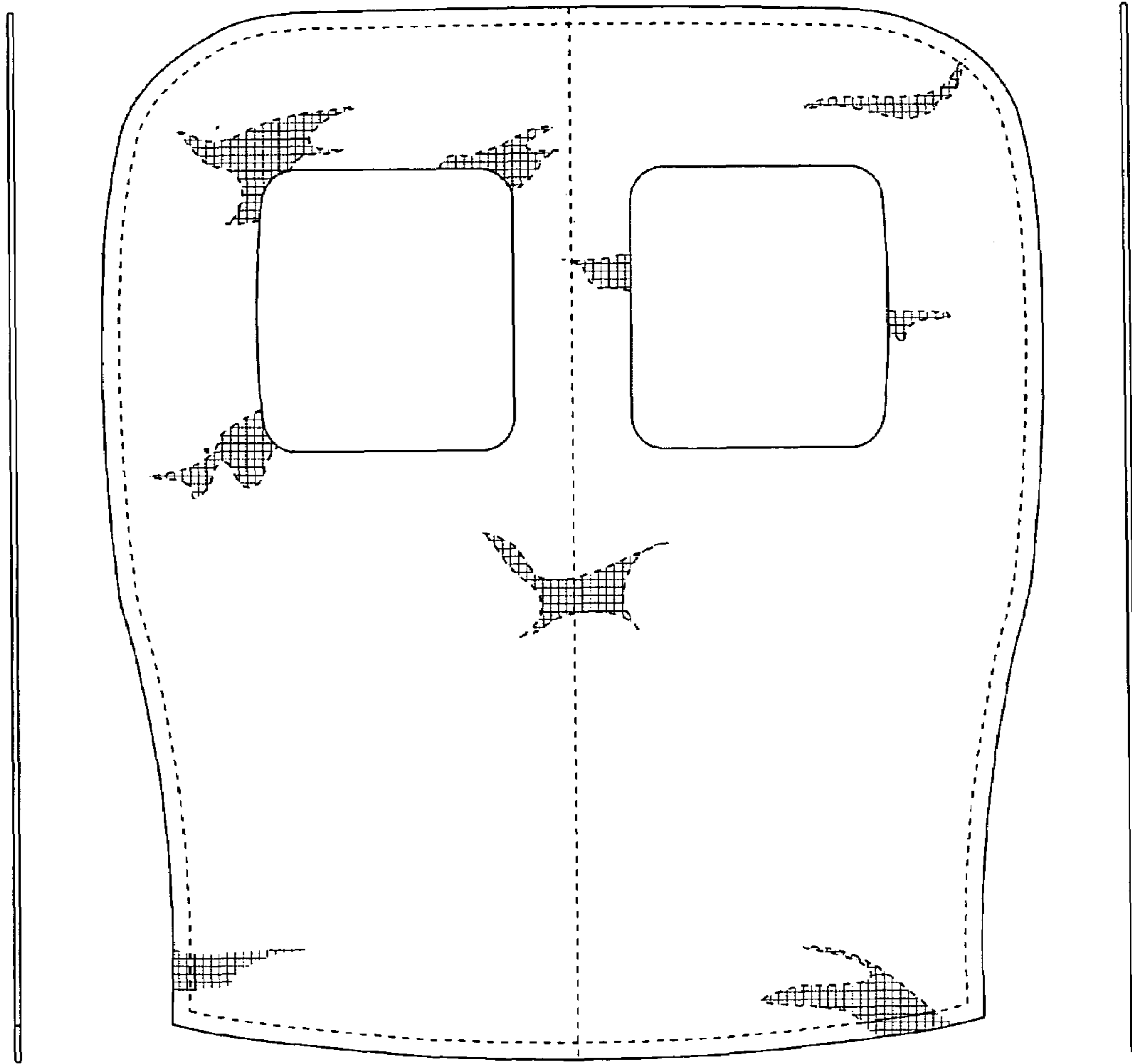


FIG. 5

FIG. 2

FIG. 6

FIG. 4

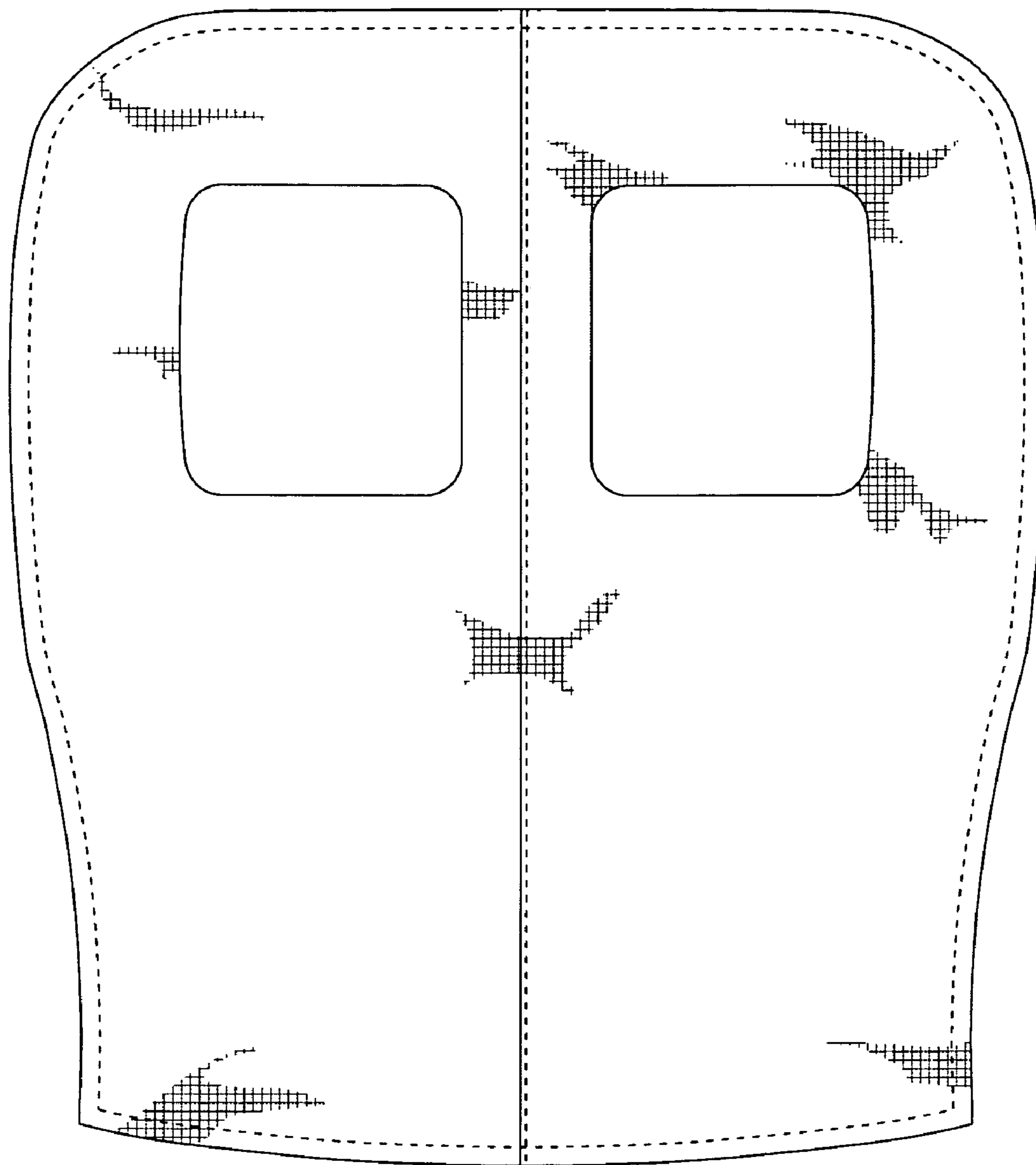


FIG. 7