



US00D595925S

(12) **United States Design Patent**
Bowers

(10) **Patent No.:** **US D595,925 S**
(45) **Date of Patent:** **** Jul. 7, 2009**

(54) **MAILBOX WITH SPEAR-SHAPED FLAG**

(75) Inventor: **John M. Bowers**, Orlando, FL (US)

(73) Assignee: **EuroAsia Products, Inc.**, Orlando, FL (US)

(**) Term: **14 Years**

(21) Appl. No.: **29/312,044**

(22) Filed: **Sep. 26, 2008**

Related U.S. Application Data

(62) Division of application No. 29/272,110, filed on Feb. 1, 2007, now Pat. No. Des. 580,623.

(51) **LOC (9) Cl.** **25-03**

(52) **U.S. Cl.** **D99/43**

(58) **Field of Classification Search** D99/28-33, D99/43, 99; 232/17, 21, 28, 33-35, 38-39, 232/42, 43.1-43.3, 45, 47; D20/29, 36; D8/305-307, D8/313-320; D3/270, 272, 294; D11/165, D11/166; 220/830

See application file for complete search history.

(56) **References Cited**

U.S. PATENT DOCUMENTS

1,037,348 A	9/1912	Smith	
1,136,505 A	4/1915	Razny	
1,690,967 A	11/1928	Cobb	
1,824,881 A	9/1931	Foss	
2,169,855 A	8/1939	Stouch	232/41.4
2,437,053 A	3/1948	Swanson	232/25
2,484,718 A	10/1949	McCullar	232/34
D183,625 S	9/1958	Masso	
2,960,265 A	11/1960	Simon	232/25
D196,467 S	10/1963	Alley	
D200,452 S *	2/1965	Duncan et al.	D99/29
3,208,668 A	9/1965	Dickins, Sr.	232/33
3,722,460 A	3/1973	James, Sr.	116/132
3,733,026 A	5/1973	Rowe et al.	232/35
3,758,027 A	9/1973	Morgan	232/17
3,827,626 A	8/1974	Daigle	232/17
3,874,583 A	4/1975	Moll	232/17

3,958,752 A *	5/1976	Pieszchala	232/35
4,186,869 A	2/1980	Brown	232/17
4,413,770 A	11/1983	Nye	
D287,898 S *	1/1987	Carter	D99/29
4,711,391 A *	12/1987	Roge et al.	232/35
4,720,042 A *	1/1988	Tapy	232/35
4,883,223 A *	11/1989	Taniguchi	232/35
4,901,913 A	2/1990	Fischer	232/17
4,905,892 A	3/1990	Fischer	232/17
D315,821 S *	3/1991	Lorenzi	D99/29

(Continued)

OTHER PUBLICATIONS

WDS8509 Handle <http://web.archive.org/web/2061015025610/www.wdsltd.co.uk/Handles+and+hinges/Han...> Oct. 2006.

Primary Examiner—Robert M. Spear

Assistant Examiner—Susan E Krakower

(74) *Attorney, Agent, or Firm*—Brian S. Steinberger; Law Offices of Brian S. Steinberger, P.A.

(57) **CLAIM**

The ornamental design for a mailbox with spear-shaped flag, as shown and described.

DESCRIPTION

FIG. 1 is an upper front right perspective of a mailbox with spear-shaped flag showing my new design.

FIG. 2 is an upper rear right perspective view of the design of FIG. 1.

FIG. 3 is a front end view of the design of FIG. 1.

FIG. 4 is a rear end view of the design of FIG. 1.

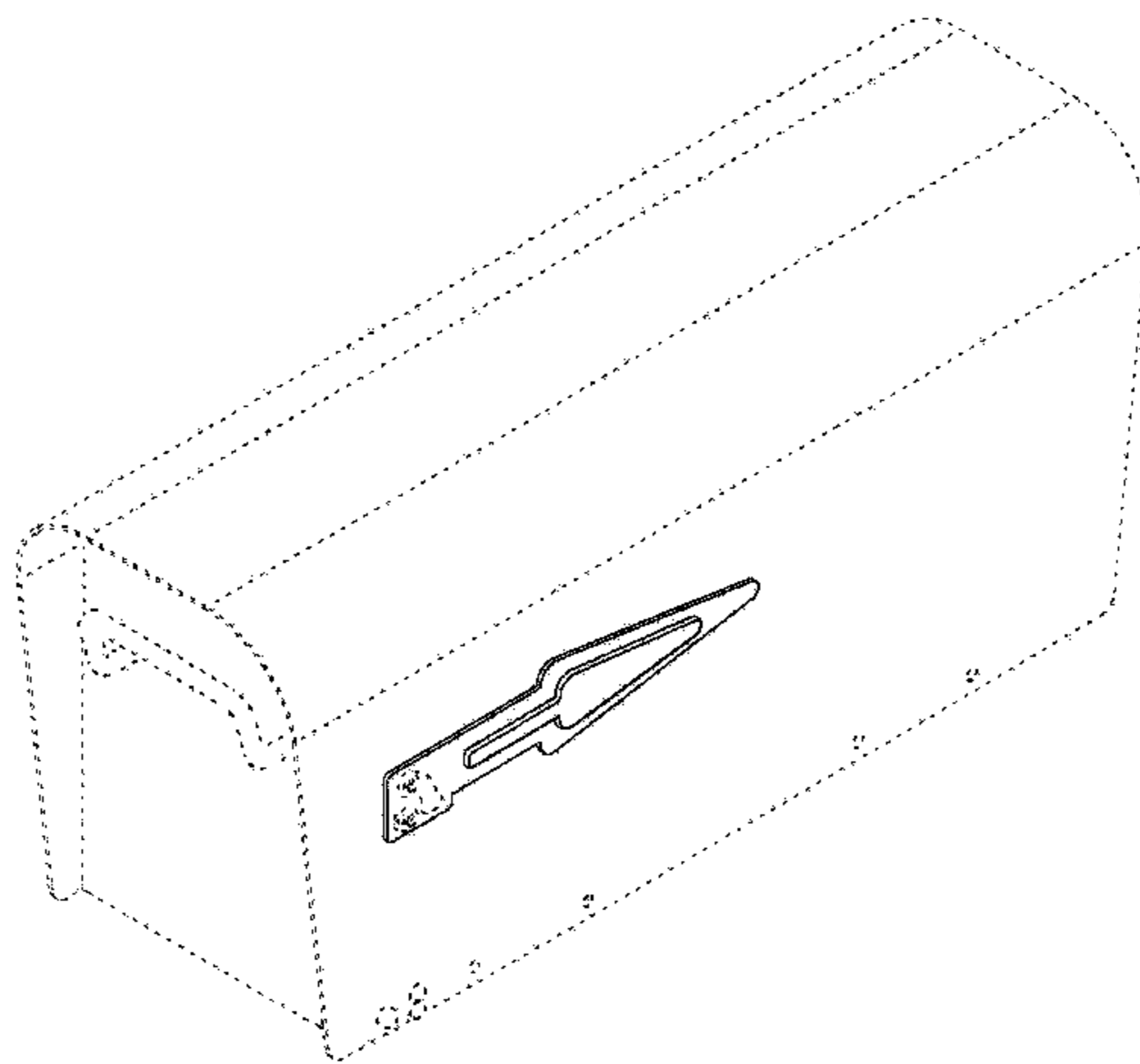
FIG. 5 is a right side view of the design of FIG. 1.

FIG. 6 is a top view of the design of FIG. 1; and,

FIG. 7 is a bottom view of the design of FIG. 1.

The broken lines illustrate environmental elements which form no part of the claimed design.

1 Claim, 7 Drawing Sheets



US D595,925 S

Page 2

U.S. PATENT DOCUMENTS					
D320,334 S	10/1991	Clancy	6,293,461 B1 *	9/2001	Rivers, Sr. 232/35
D340,179 S	10/1993	Mirick et al.	D452,130 S	12/2001	Richardson
D340,398 S	10/1993	Clancey	D467,784 S	12/2002	Maier
5,339,980 A	8/1994	Stutler 220/571	D467,785 S	12/2002	Tsai
D376,249 S *	12/1996	Bunch et al. D99/29	D474,563 S	5/2003	Bresciani
D376,463 S *	12/1996	Polley et al. D99/29	6,641,186 B2	11/2003	Tsai
D384,266 S	9/1997	Mantarakis et al.	6,772,939 B1	8/2004	Simpson 232/38
D384,568 S	10/1997	Mantarakis et al.	D503,504 S	3/2005	Taylor et al.
D397,604 S	9/1998	Libby et al.	6,946,184 B2	9/2005	Robbins
5,807,021 A	9/1998	Aaron	7,032,811 B1 *	4/2006	Paulic et al. 232/39
5,921,117 A	7/1999	Illguth 70/159	D546,160 S	7/2007	Reithmeyer
D423,321 S	4/2000	Maier	D556,973 S *	12/2007	Pierce D99/29
D431,994 S	10/2000	Libby et al.	D560,871 S	1/2008	Zhang
D438,363 S	2/2001	Lackey et al.	D569,075 S *	5/2008	Ehrbaker D99/43
6,234,388 B1	5/2001	Taylor 232/47	2002/0059691 A1	5/2002	Audisio 16/374
6,244,505 B1	6/2001	Grimes et al. 232/47	2008/0035720 A1	2/2008	Bolles

* cited by examiner

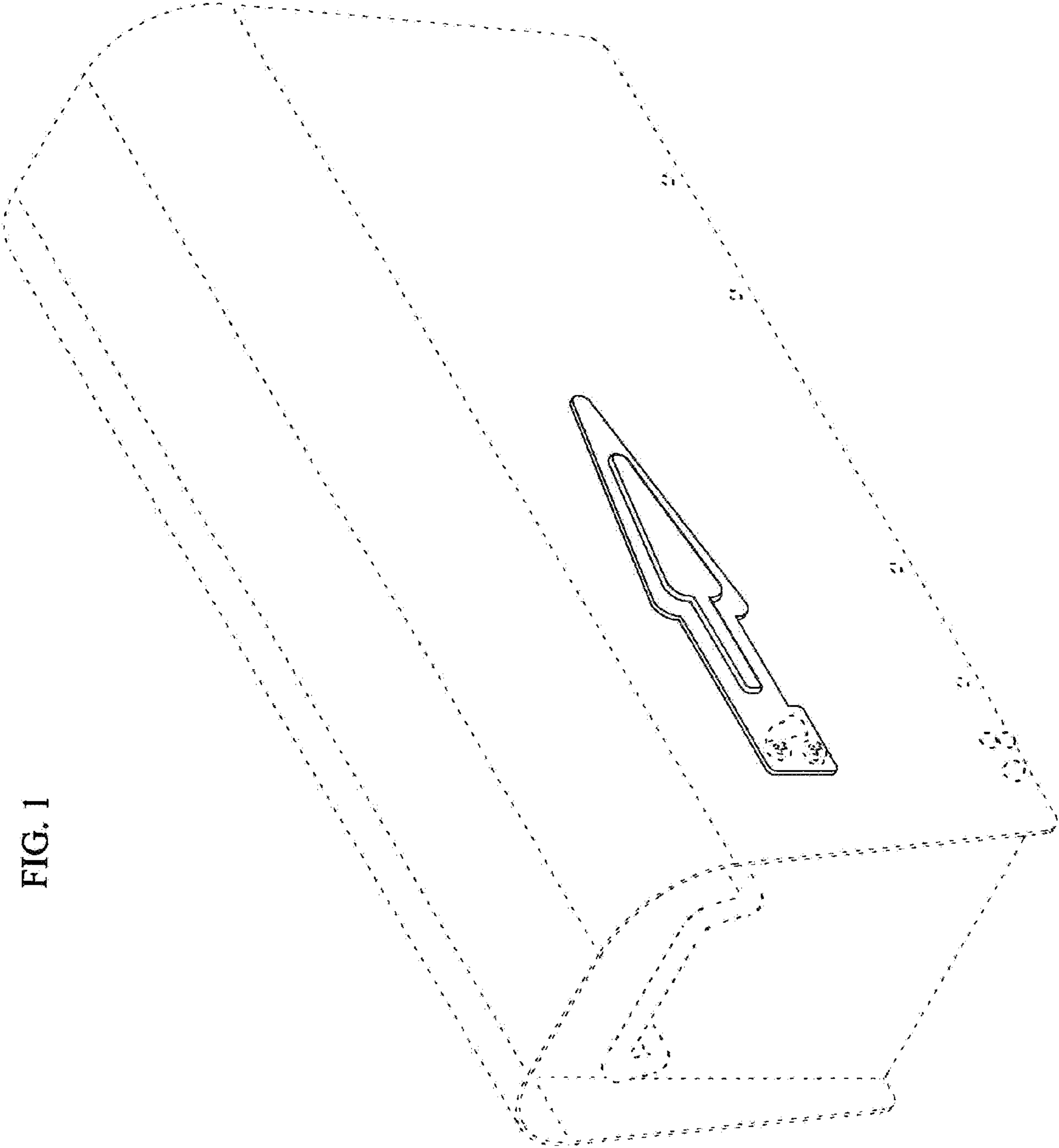


FIG. 1

FIG. 2

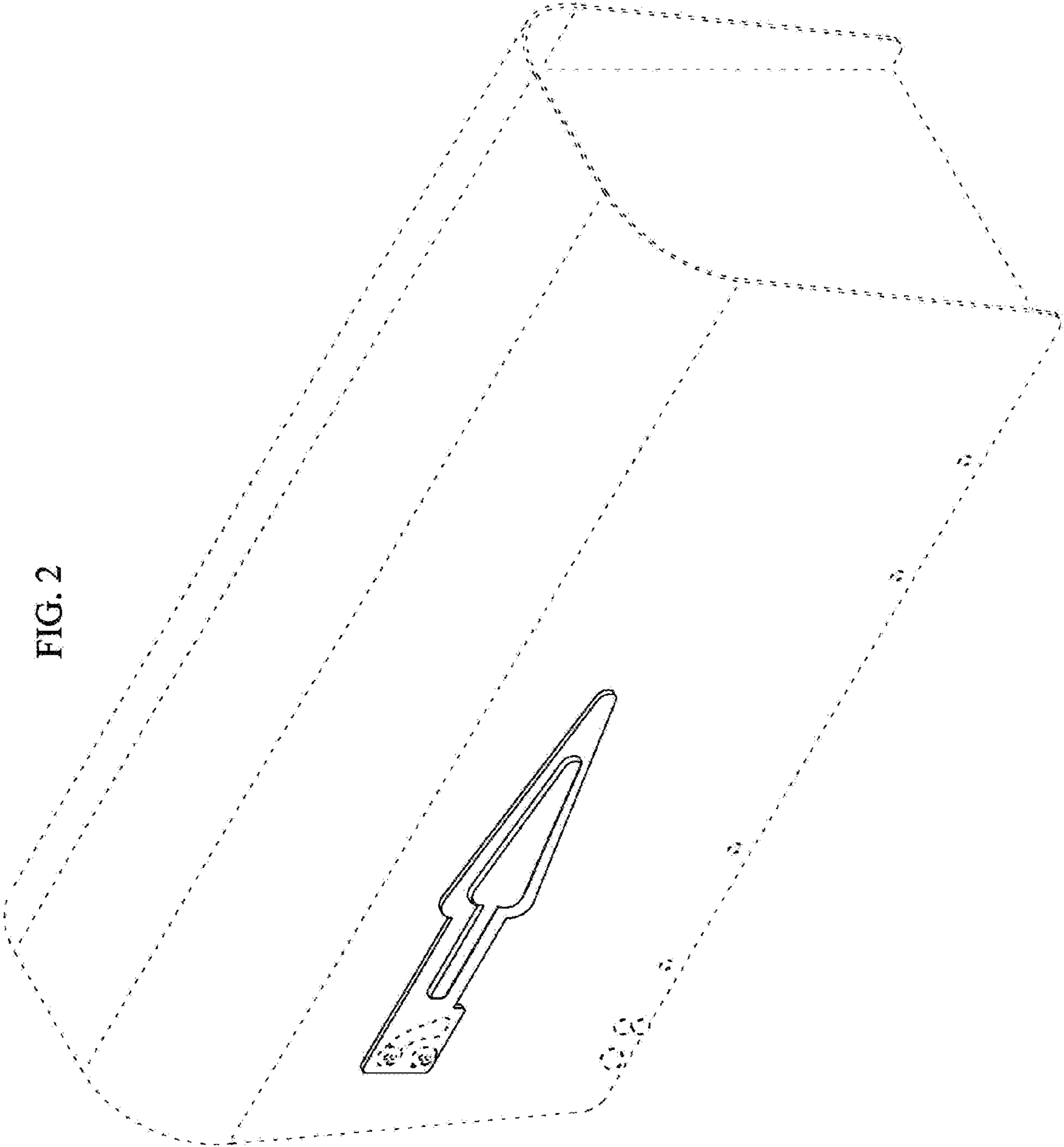


FIG. 3

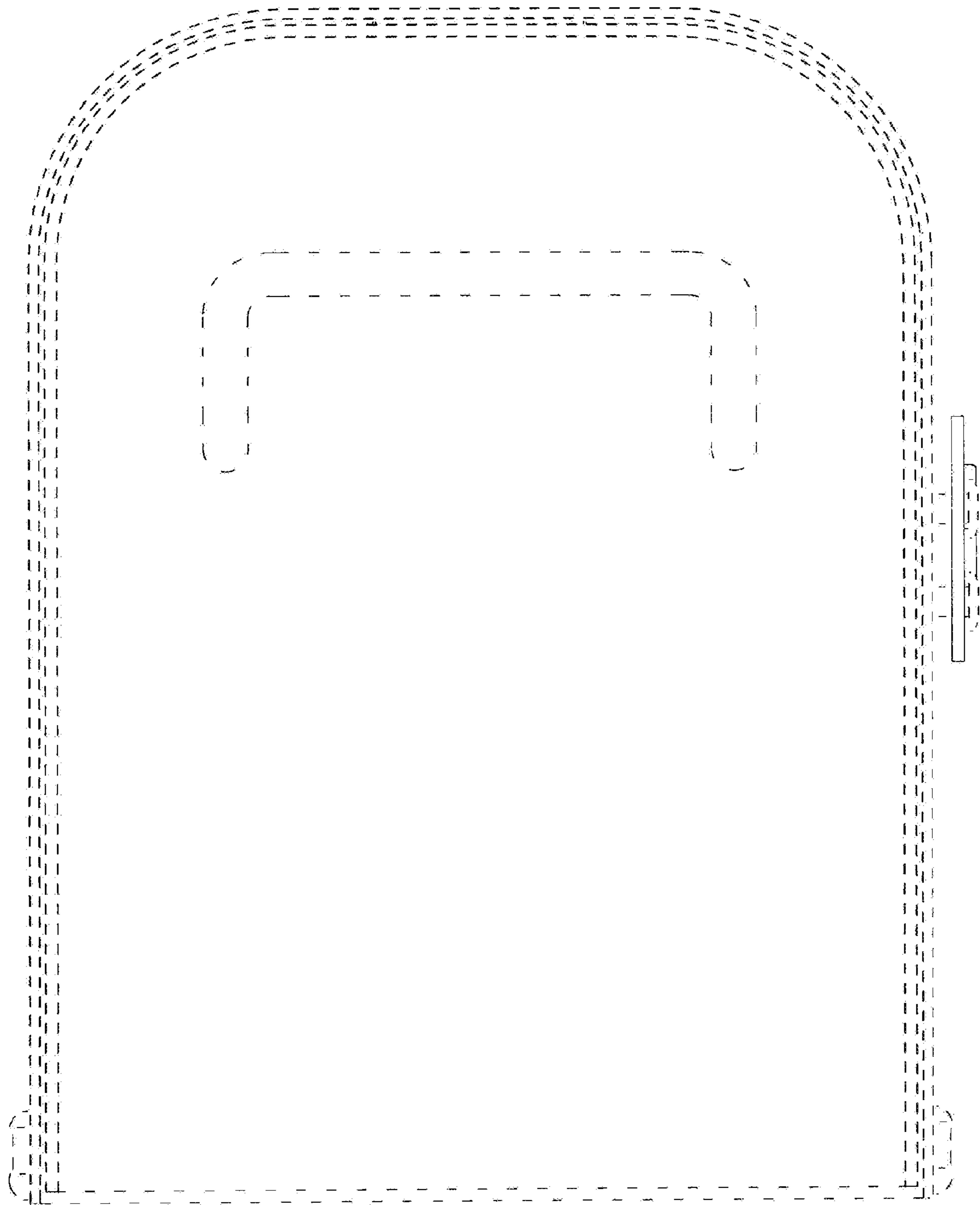


FIG. 4

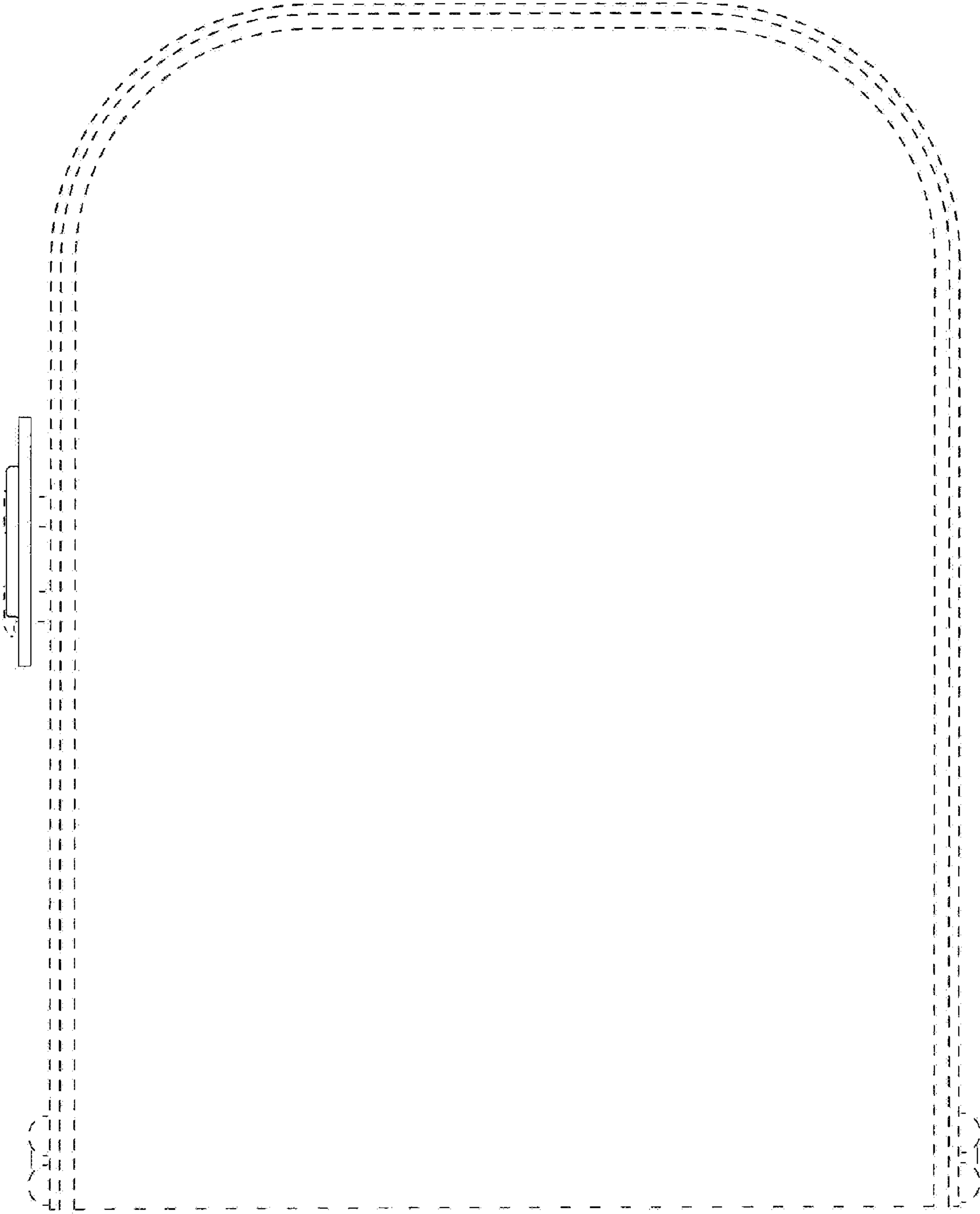


FIG. 5

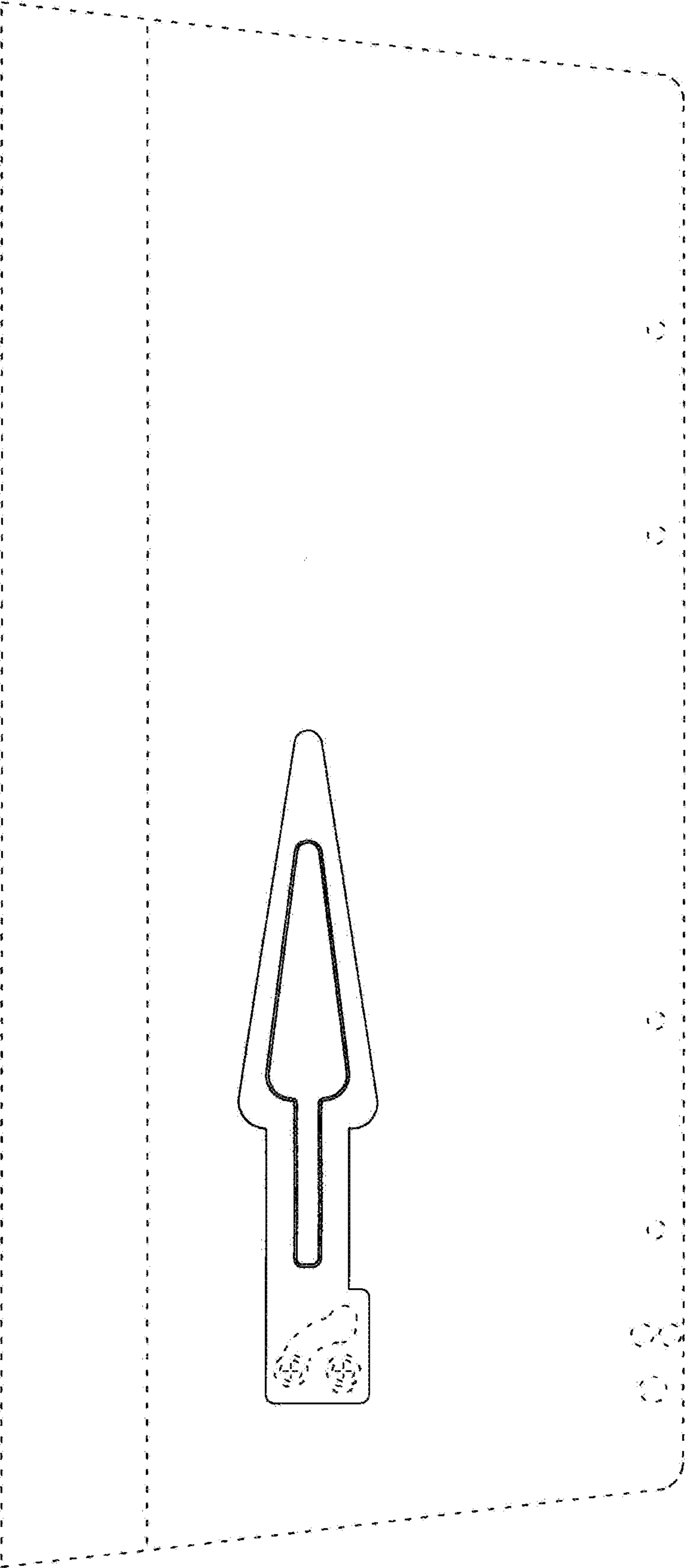


FIG. 6

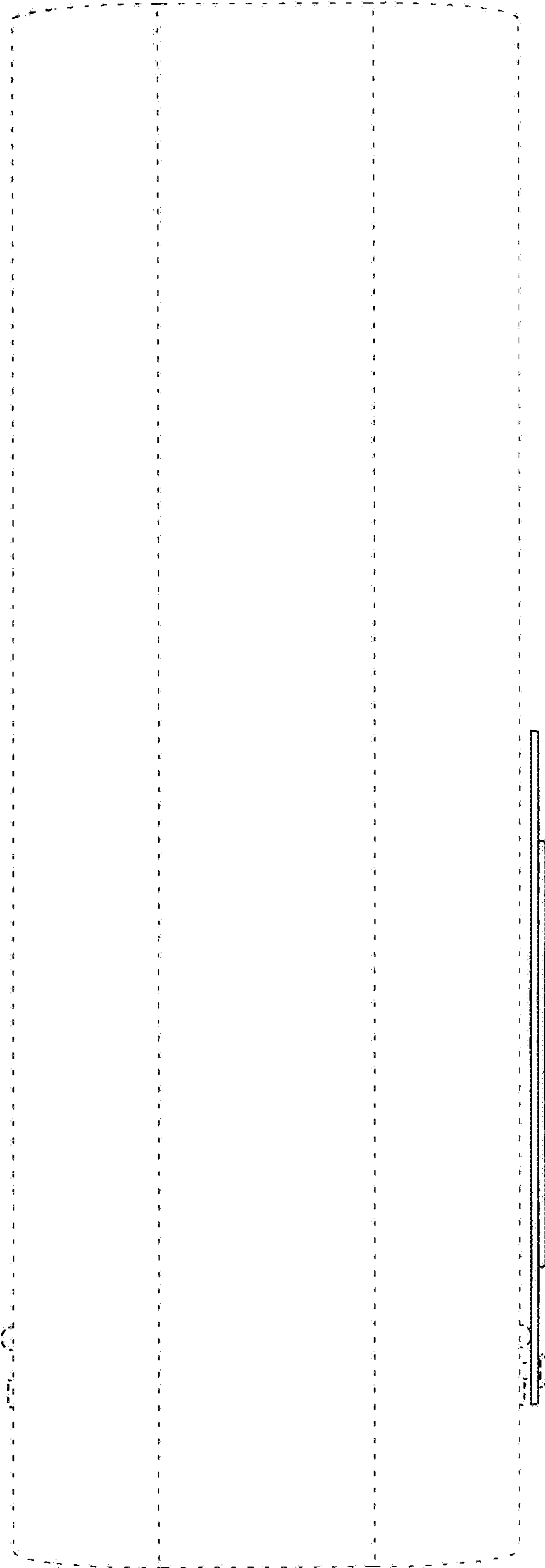


FIG. 7

