

US00D595922S

(12) **United States Design Patent**
Walstrom et al.

(10) **Patent No.:** **US D595,922 S**
(45) **Date of Patent:** **** Jul. 7, 2009**

(54) **COMBINED HANDLE AND CLIP FOR JACK ASSEMBLY**

(75) Inventors: **Todd Walstrom**, Weston, WI (US); **Eric Anderson**, Plover, WI (US); **Russ Beck**, Wausau, WI (US); **Todd Trowbridge**, Marathon, WI (US); **Joseph J. Peschmann**, Plover, WI (US); **Kawa-She-Queen Okerlund**, Wittenberg, WI (US)

(73) Assignee: **Cequent Trailer Product, Inc.**, Mosinee, WI (US)

(**) Term: **14 Years**

(21) Appl. No.: **29/310,360**

(22) Filed: **Aug. 11, 2008**

Related U.S. Application Data

(62) Division of application No. 29/289,359, filed on Jul. 17, 2007, now Pat. No. Des. 577,175.

(51) **LOC (9) Cl.** **12-05**

(52) **U.S. Cl.** **D34/35; D34/31**

(58) **Field of Classification Search** D34/31, D34/35; 254/97, 418; 280/47.131; 114/344; D12/317, 101, 106; D8/300, 375; 414/559
See application file for complete search history.

(56) **References Cited**

U.S. PATENT DOCUMENTS

2,227,725 A	1/1941	Laddon
2,233,135 A	2/1941	Ketel
2,383,204 A	8/1945	Veque
D212,800 S	11/1968	Kimball
3,595,527 A	7/1971	Douglass
3,841,663 A	10/1974	Proffit
3,851,855 A	12/1974	Douglass
3,863,894 A	2/1975	Mansi et al.
3,921,958 A	11/1975	Brockelsby et al.
3,934,852 A	1/1976	Weber et al.
4,169,579 A	10/1979	Moll

4,283,073 A	8/1981	Gostomski et al.
4,424,983 A	1/1984	Walters
4,623,125 A	11/1986	Ebey
4,702,458 A	10/1987	Kendrick
5,009,445 A	4/1991	Williams, Jr.
5,016,900 A	5/1991	McCully
D318,355 S	7/1991	Salvesen
5,040,937 A	8/1991	Godbersen
5,067,692 A	11/1991	Nudd et al.
D334,268 S	3/1993	Hayes
D340,340 S	10/1993	Allen
5,282,605 A	2/1994	Sauber
D348,340 S	6/1994	Collins, Jr. et al.
D358,920 S	5/1995	Peterman
5,435,523 A	7/1995	Hying et al.
5,553,825 A	9/1996	Rasmussen

(Continued)

Primary Examiner—Cynthia E Ramirez

(74) *Attorney, Agent, or Firm*—Robert H. Earp, III; McDonald Hopkins LLC

(57) **CLAIM**

The ornamental design of a combined handle and clip for jack assembly, as shown and described.

DESCRIPTION

FIG. 1 is a top, left and front perspective view of a combined handle and clip for jack assembly showing our new design;

FIG. 2 is another perspective view of the handle and clip thereof;

FIG. 3 is a front view thereof;

FIG. 4 is a back view thereof;

FIG. 5 is a left side view thereof;

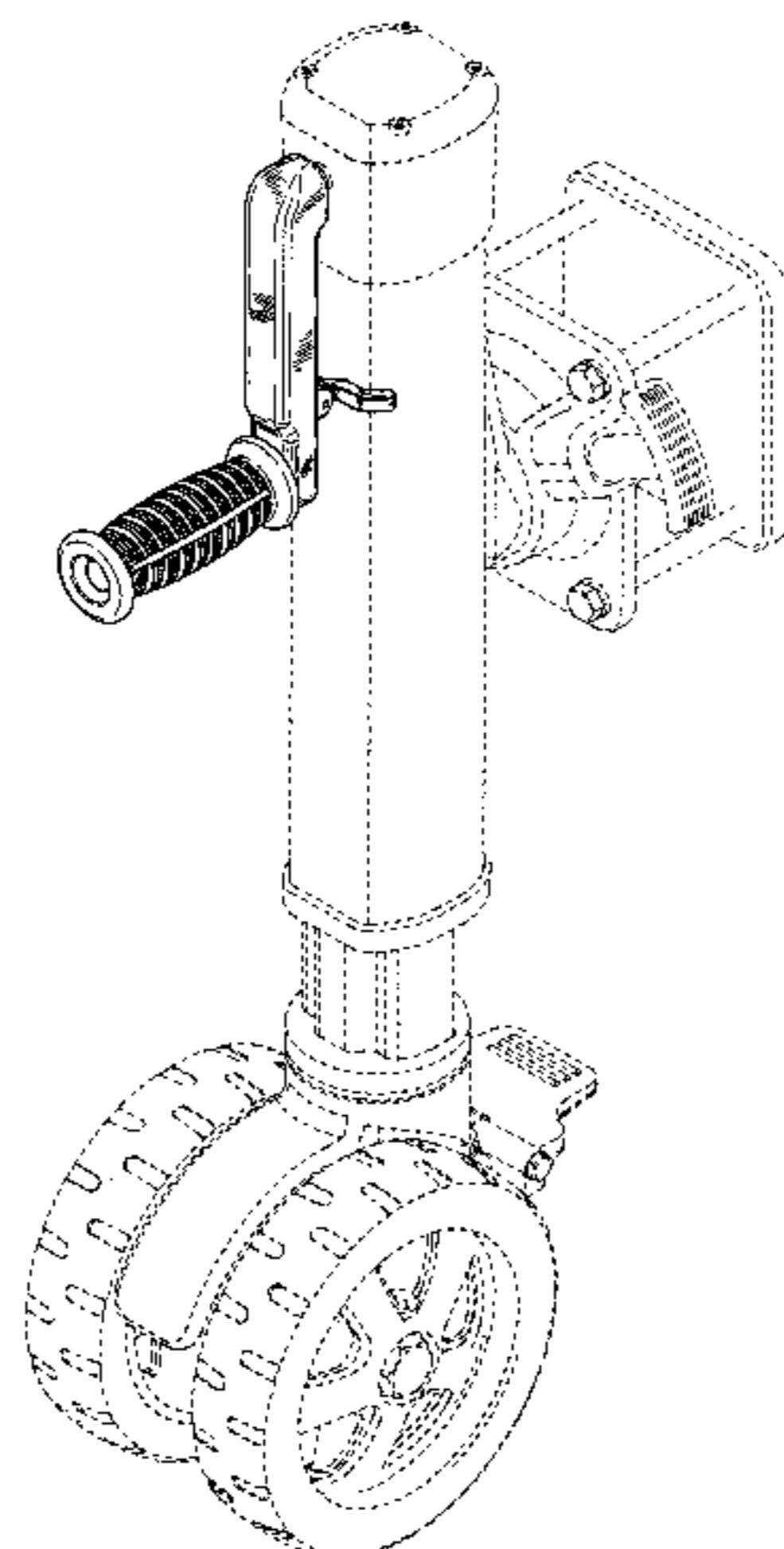
FIG. 6 is a right side view thereof;

FIG. 7 is a top plan view thereof; and,

FIG. 8 is a bottom plan view thereof.

The broken line showing of a jack in FIG. 1 is included for the purpose of illustrating environment and forms no part of the claimed design.

1 Claim, 4 Drawing Sheets



US D595,922 S

Page 2

U.S. PATENT DOCUMENTS

6,099,016 A	8/2000	Peveler	D509,039 S	8/2005	Peschmann et al.	
D447,309 S	8/2001	Wilson	D527,509 S	8/2006	Johns	
6,302,381 B1	10/2001	Roll	D544,674 S	6/2007	Hsieh	
D476,461 S	6/2003	Dries	7,270,345 B2	9/2007	Goettker	
6,685,211 B2	2/2004	Iles	D577,175 S *	9/2008	Walstrom et al. D34/35
6,846,016 B2	1/2005	VanDenberg et al.	2003/0089898 A1	5/2003	Straw, Sr. et al.	
D501,975 S	2/2005	Marsh et al.	2004/0159826 A1	8/2004	Peschmann et al.	

* cited by examiner

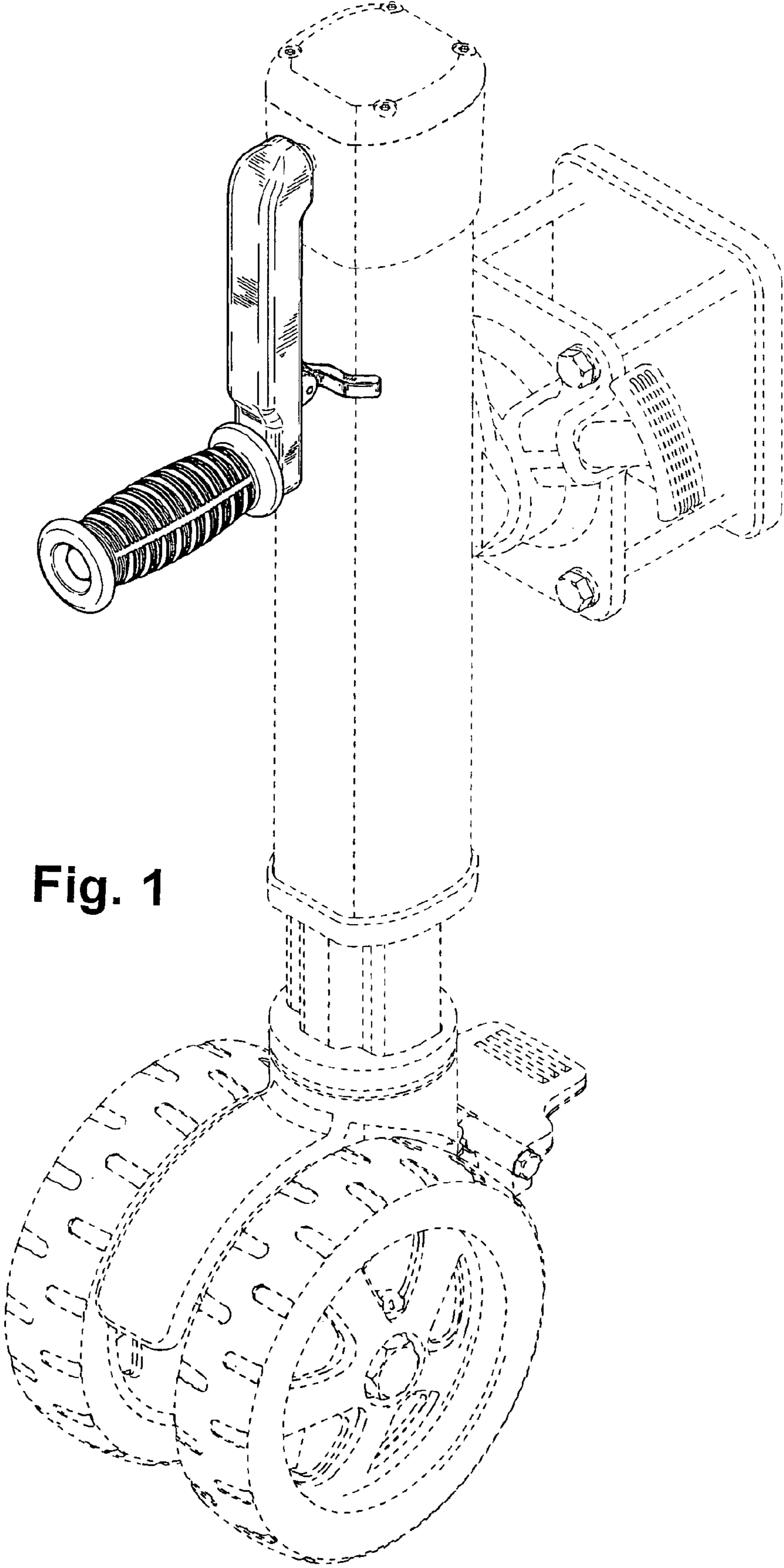


Fig. 1

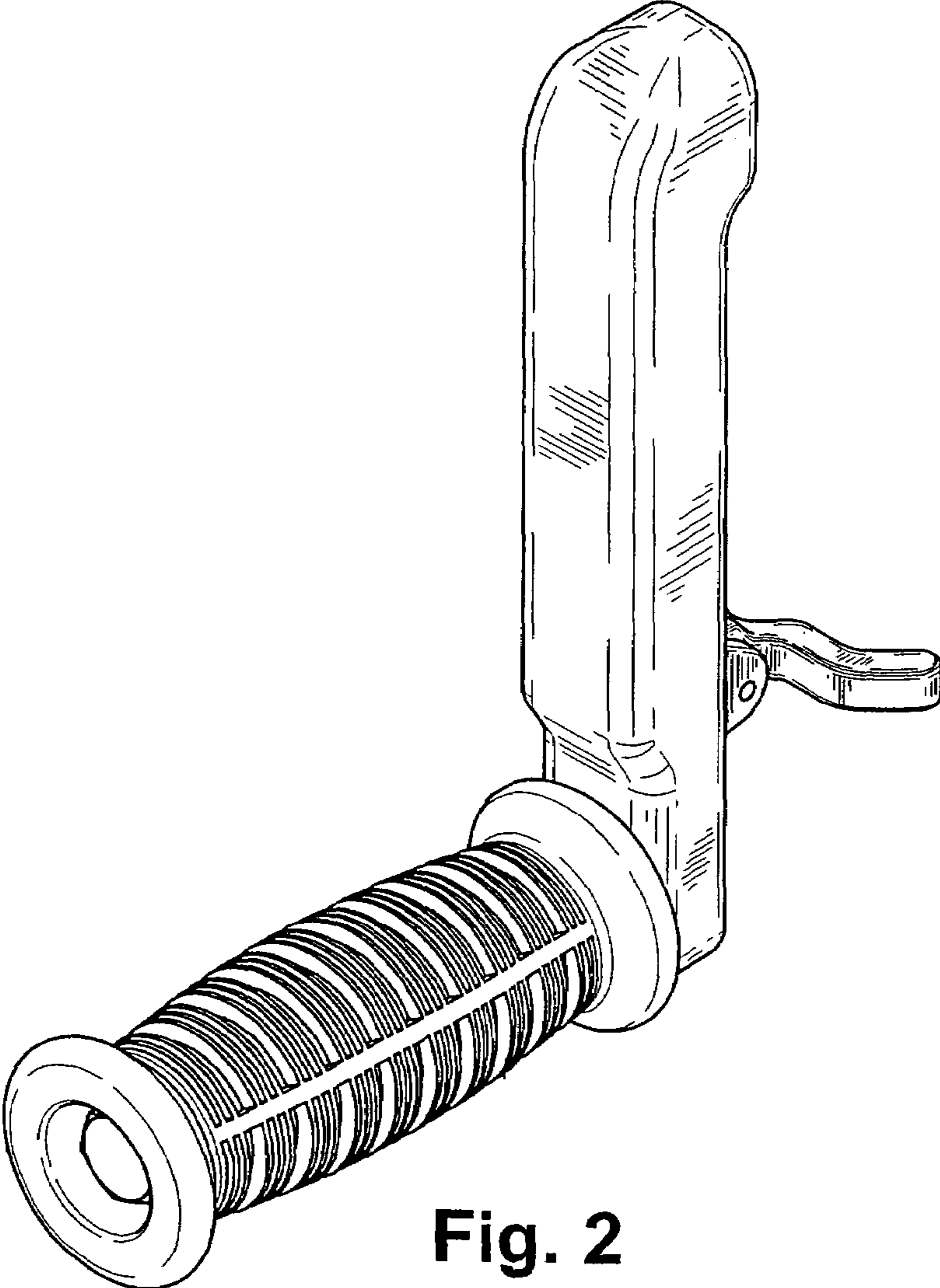


Fig. 2

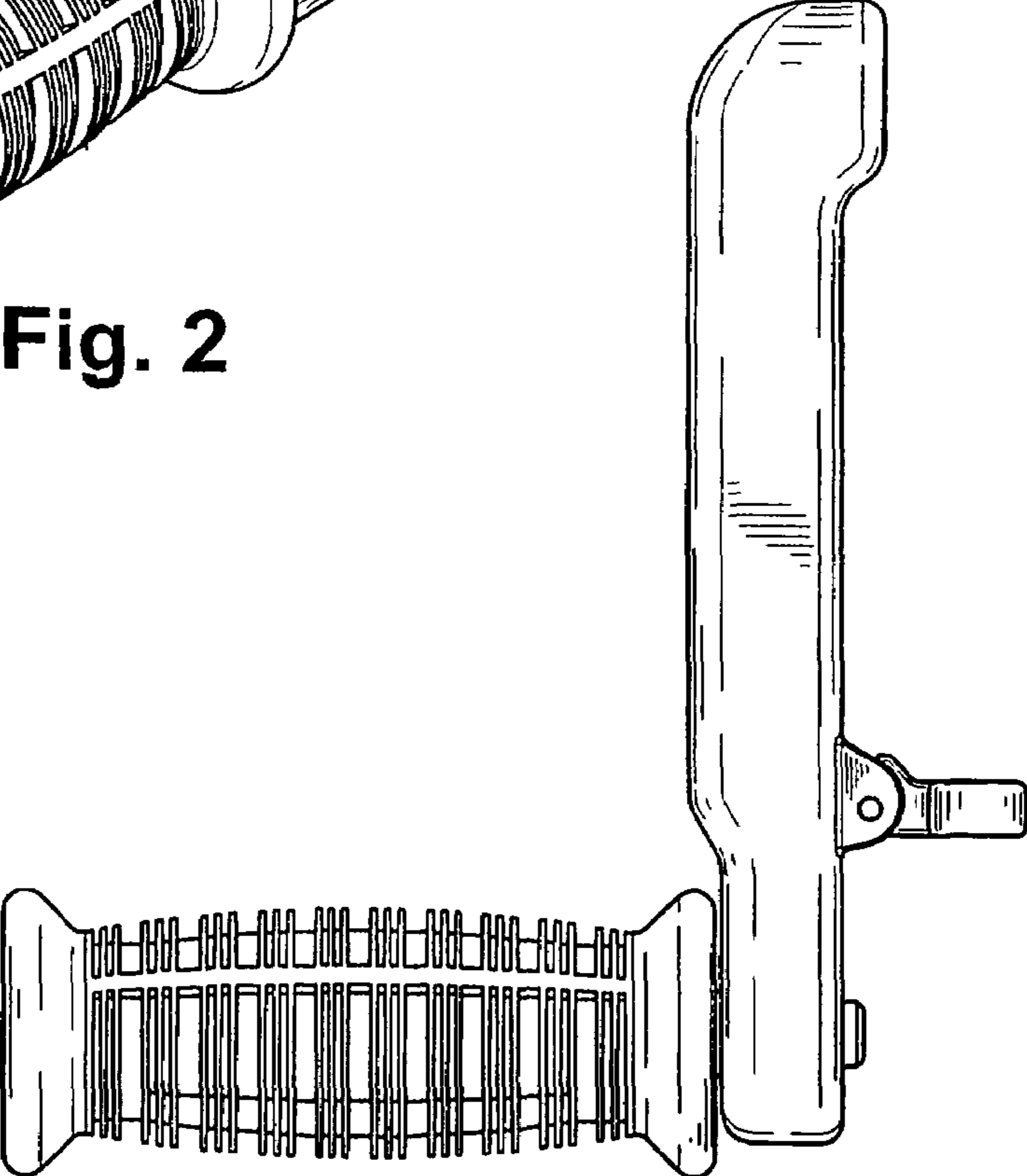


Fig. 3

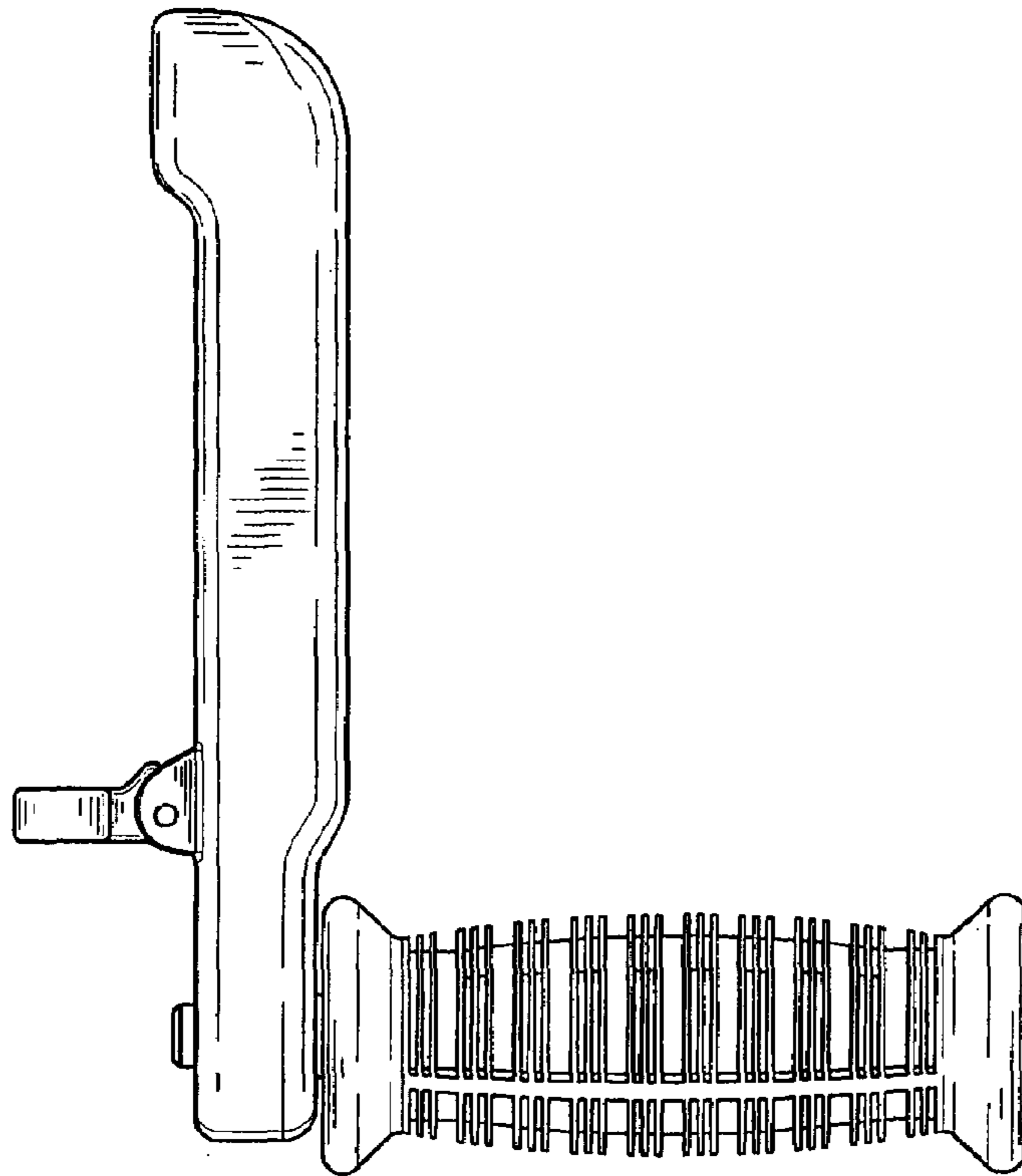


Fig. 4

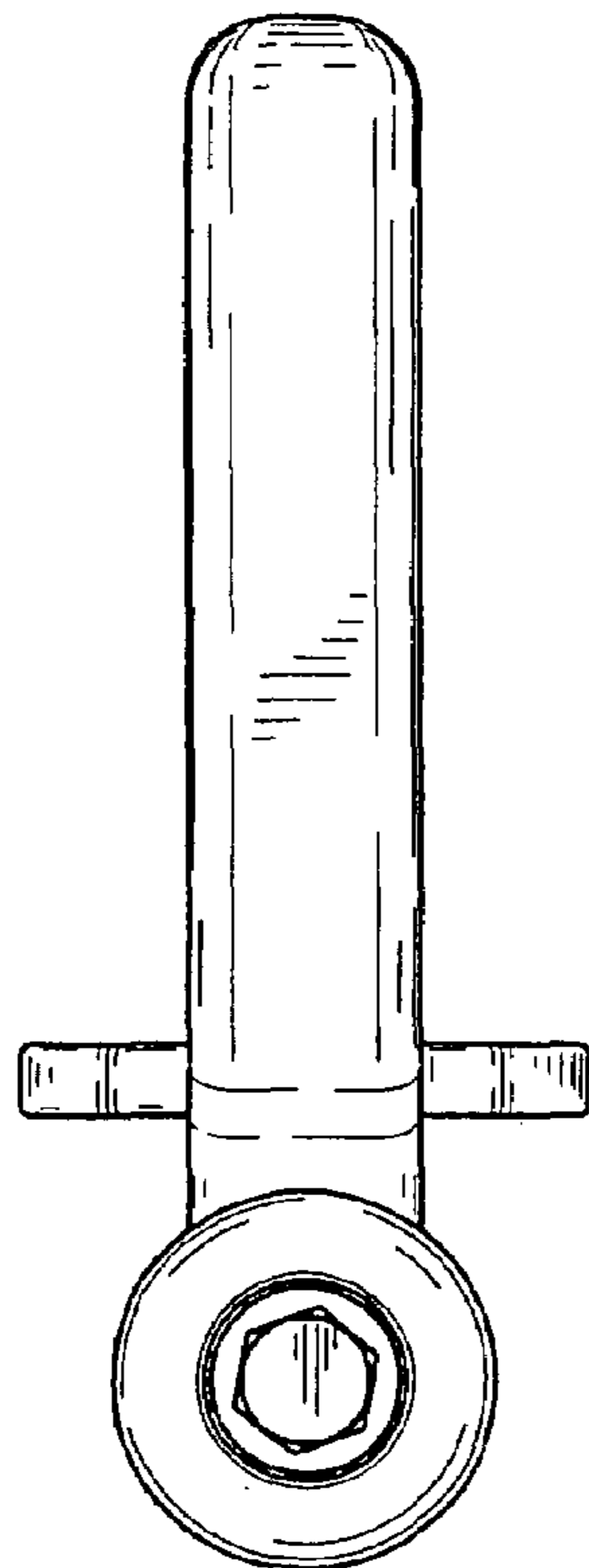


Fig. 5

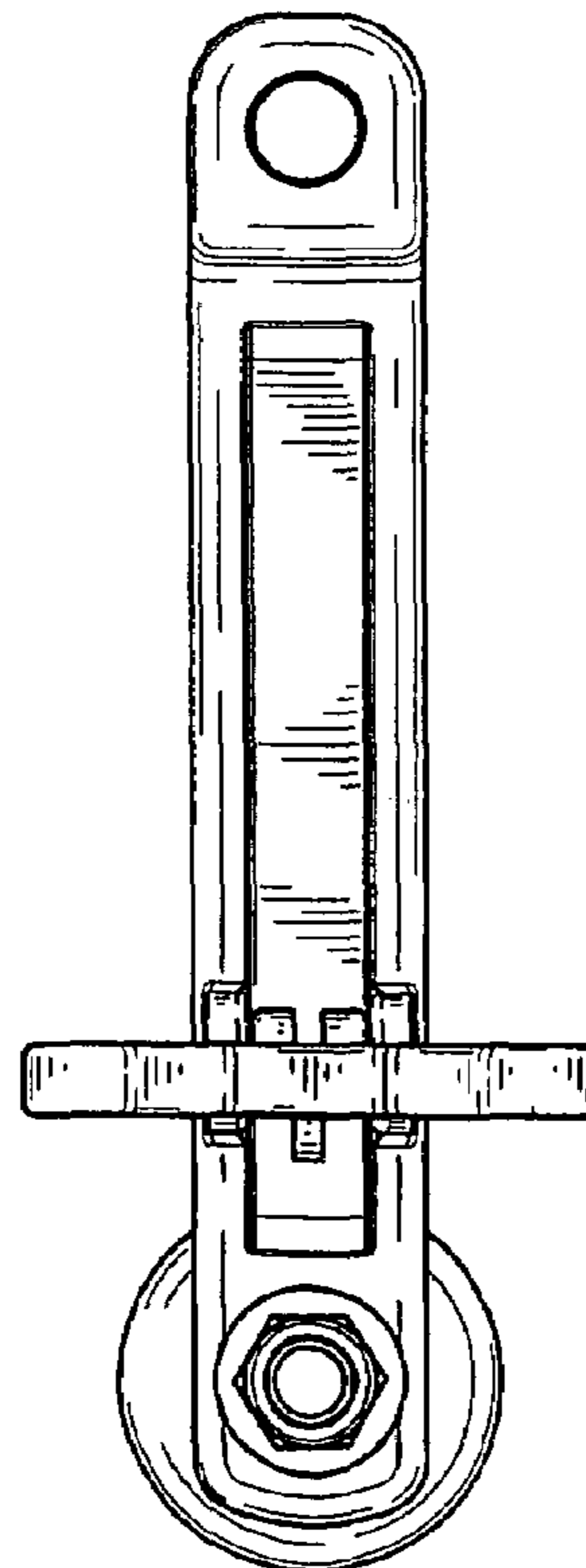


Fig. 6

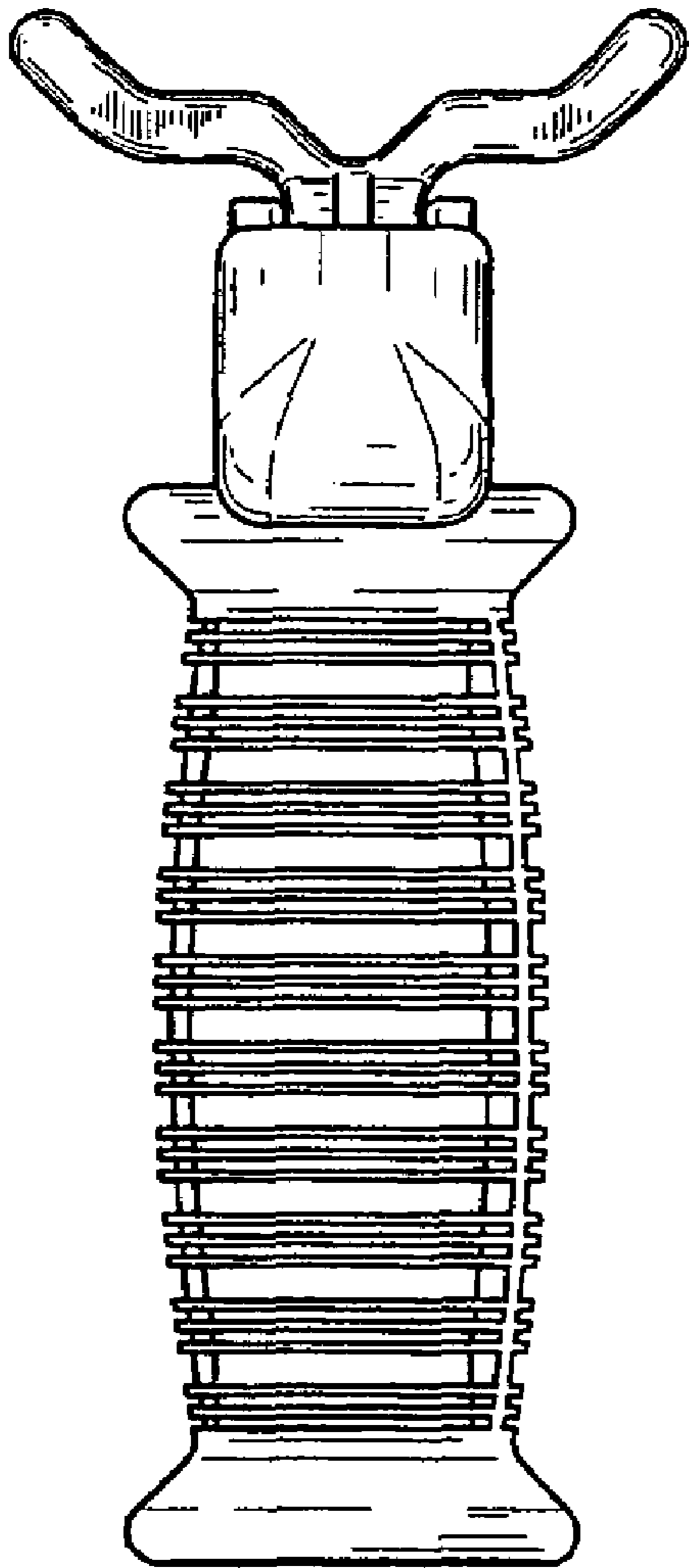


Fig. 7

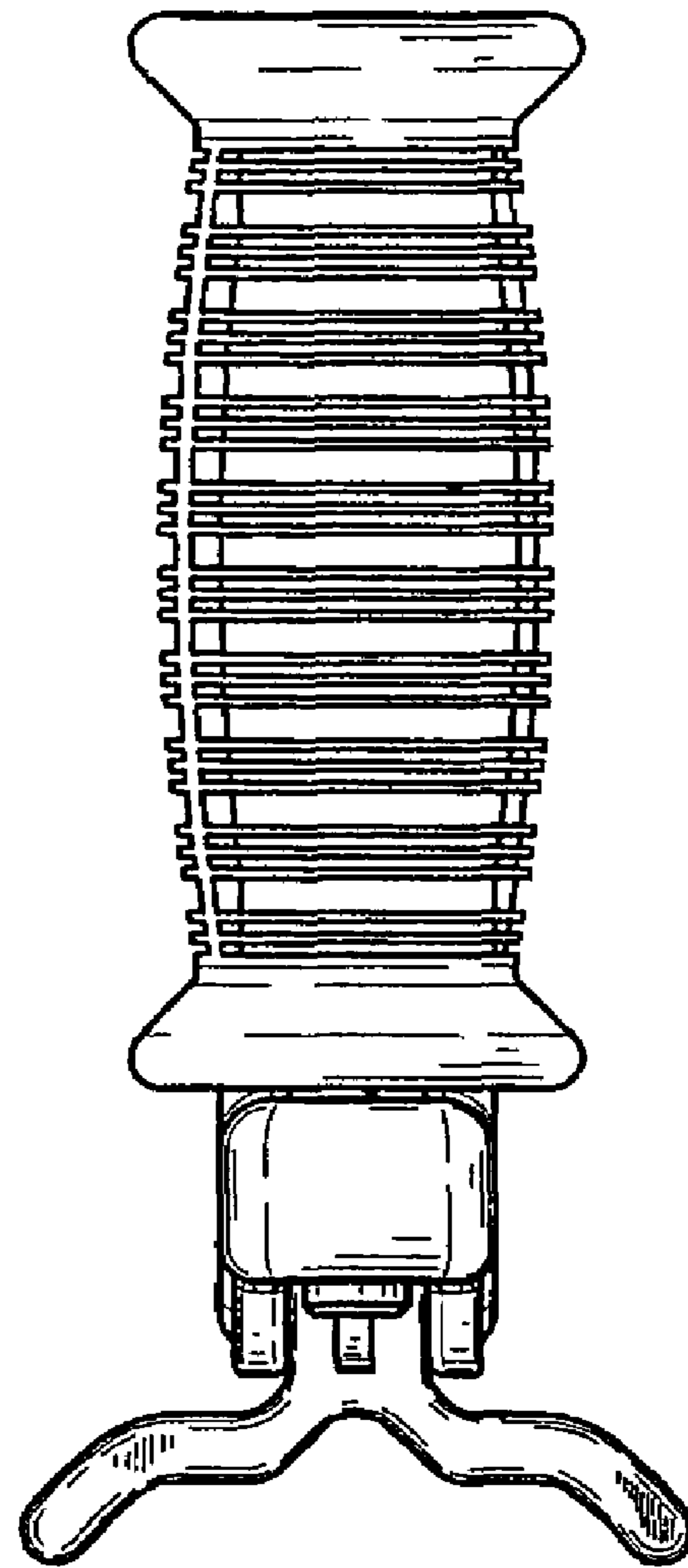


Fig. 8

UNITED STATES PATENT AND TRADEMARK OFFICE
CERTIFICATE OF CORRECTION

PATENT NO. : Des. 595,922 S
APPLICATION NO. : 29/310360
DATED : July 7, 2009
INVENTOR(S) : Walstrom et al.

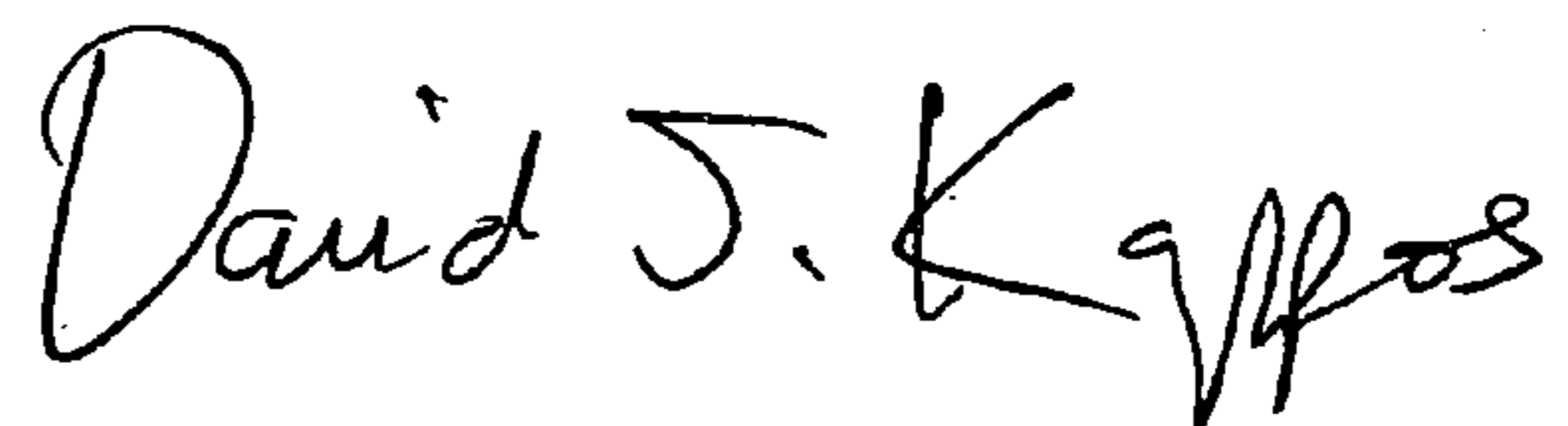
Page 1 of 1

It is certified that error appears in the above-identified patent and that said Letters Patent is hereby corrected as shown below:

Title page, item (73) Assignee: delete "Productst" and insert --Products--

Signed and Sealed this

Eighth Day of December, 2009



David J. Kappos
Director of the United States Patent and Trademark Office