



US00D595921S

(12) **United States Design Patent**
Walstrom et al.

(10) **Patent No.:** **US D595,921 S**
(45) **Date of Patent:** **** Jul. 7, 2009**

(54) **WINCH BODY**

(75) Inventors: **Todd Walstrom**, Weston, WI (US); **Eric Anderson**, Plover, WI (US); **Todd Trowbridge**, Marathon, WI (US); **Joseph J. Peschmann**, Plover, WI (US); **Kawa-She-Quoen Okerlund**, Wittenberg, WI (US); **Victor Burmeister**, Weston, WI (US); **Frank Drake**, Wausau, WI (US)

(73) Assignee: **Cequent Trailer Products, Inc.**, Mosinee, WI (US)

(**) Term: **14 Years**

(21) Appl. No.: **29/310,788**

(22) Filed: **Sep. 10, 2008**

(51) **LOC (9) Cl.** **12-05**

(52) **U.S. Cl.** **D34/33**

(58) **Field of Classification Search** D34/32,
D34/34, 33; 254/264, 265, 97, 266, 362,
254/323

See application file for complete search history.

(56) **References Cited**

U.S. PATENT DOCUMENTS

3,222,742 A * 12/1965 Persiaux 24/134 N
3,485,478 A * 12/1969 Desplats et al. 254/106
D238,861 S * 2/1976 Cavalieri D34/28

D364,027 S * 11/1995 Hung D34/33
D407,883 S * 4/1999 Okerlund et al. D34/33
D427,408 S * 6/2000 Daniels et al. D34/33
D438,358 S * 2/2001 Huang D34/33
D571,973 S * 6/2008 Burns et al. D34/33
D573,775 S * 7/2008 Burns et al. D34/33
2007/0267612 A1 * 11/2007 Dueck 254/266

* cited by examiner

Primary Examiner—Cynthia E Ramirez

(74) *Attorney, Agent, or Firm*—Robert H. Earp, III;
McDonald Hopkins LLC

(57) **CLAIM**

The ornamental design of a winch body, as shown and described.

DESCRIPTION

FIG. 1 is a top, front and right perspective view of a winch body showing our new design;

FIG. 2 is a right side view thereof;

FIG. 3 is a left side view thereof;

FIG. 4 is a front view thereof;

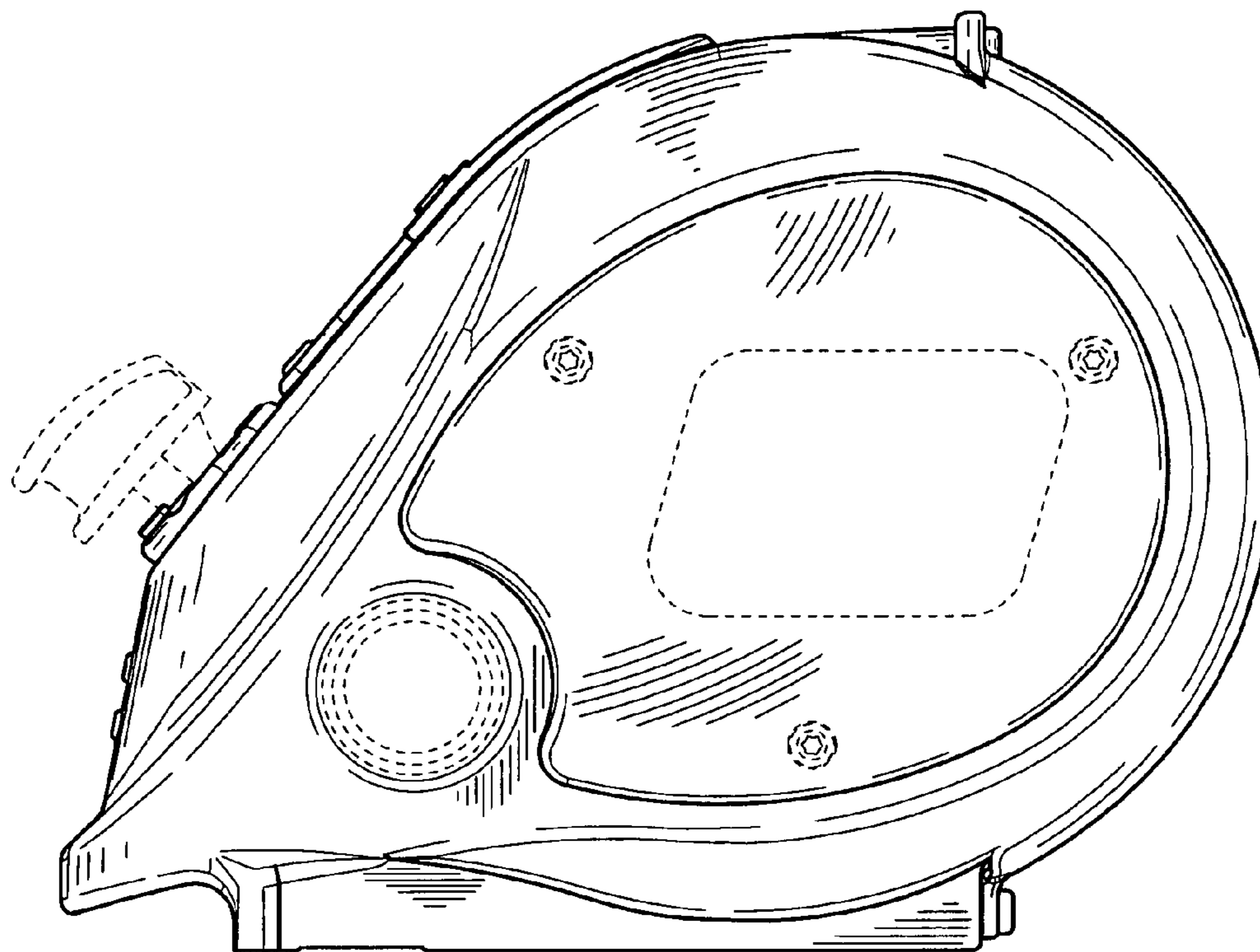
FIG. 5 is a back view thereof;

FIG. 6 is a top view thereof; and,

FIG. 7 is a bottom view thereof.

The broken lines of FIGS. 1 through 7 are used for illustrative purposes and do not form part of the claimed design.

1 Claim, 5 Drawing Sheets



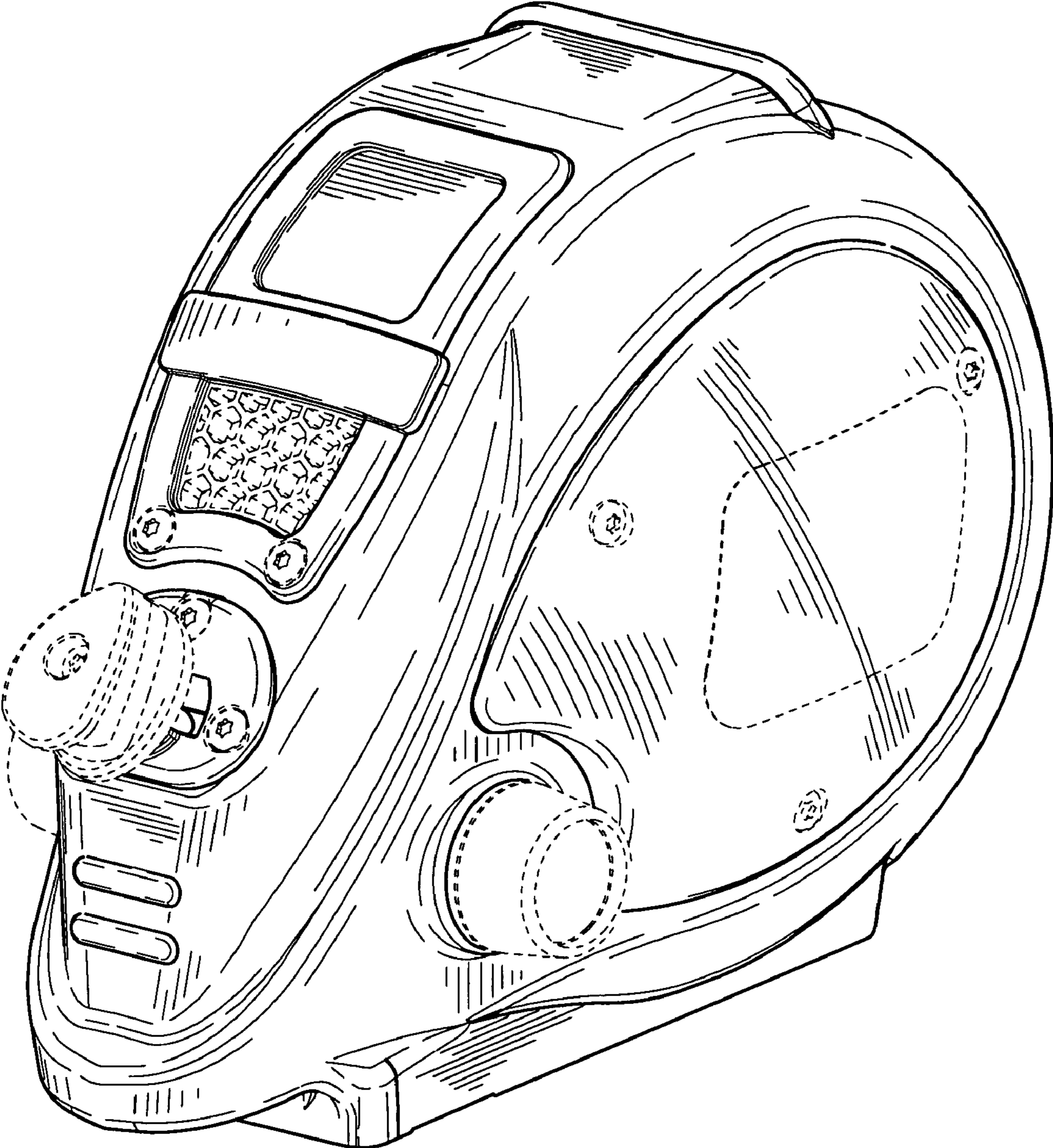


Fig. 1

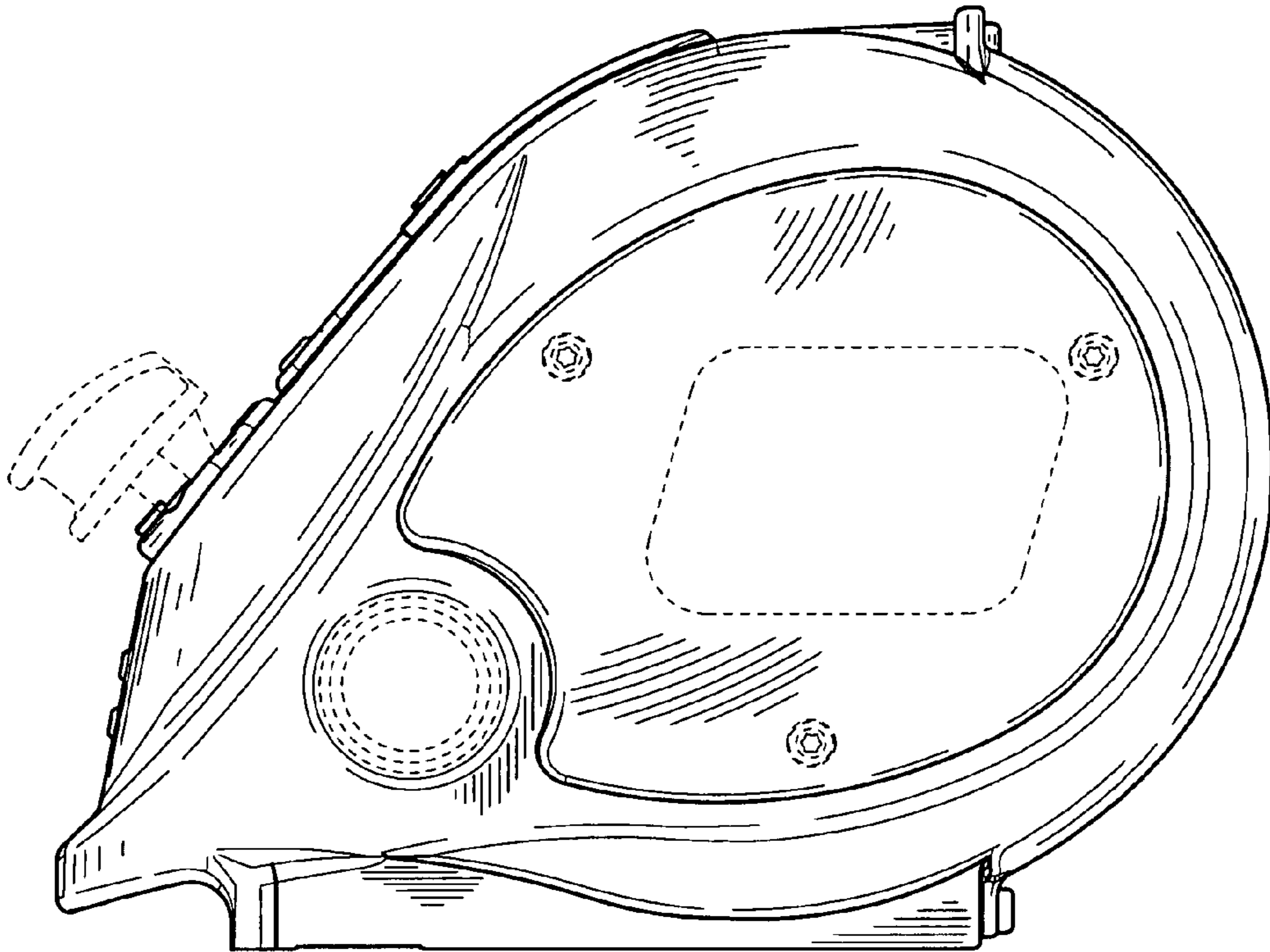


Fig. 2

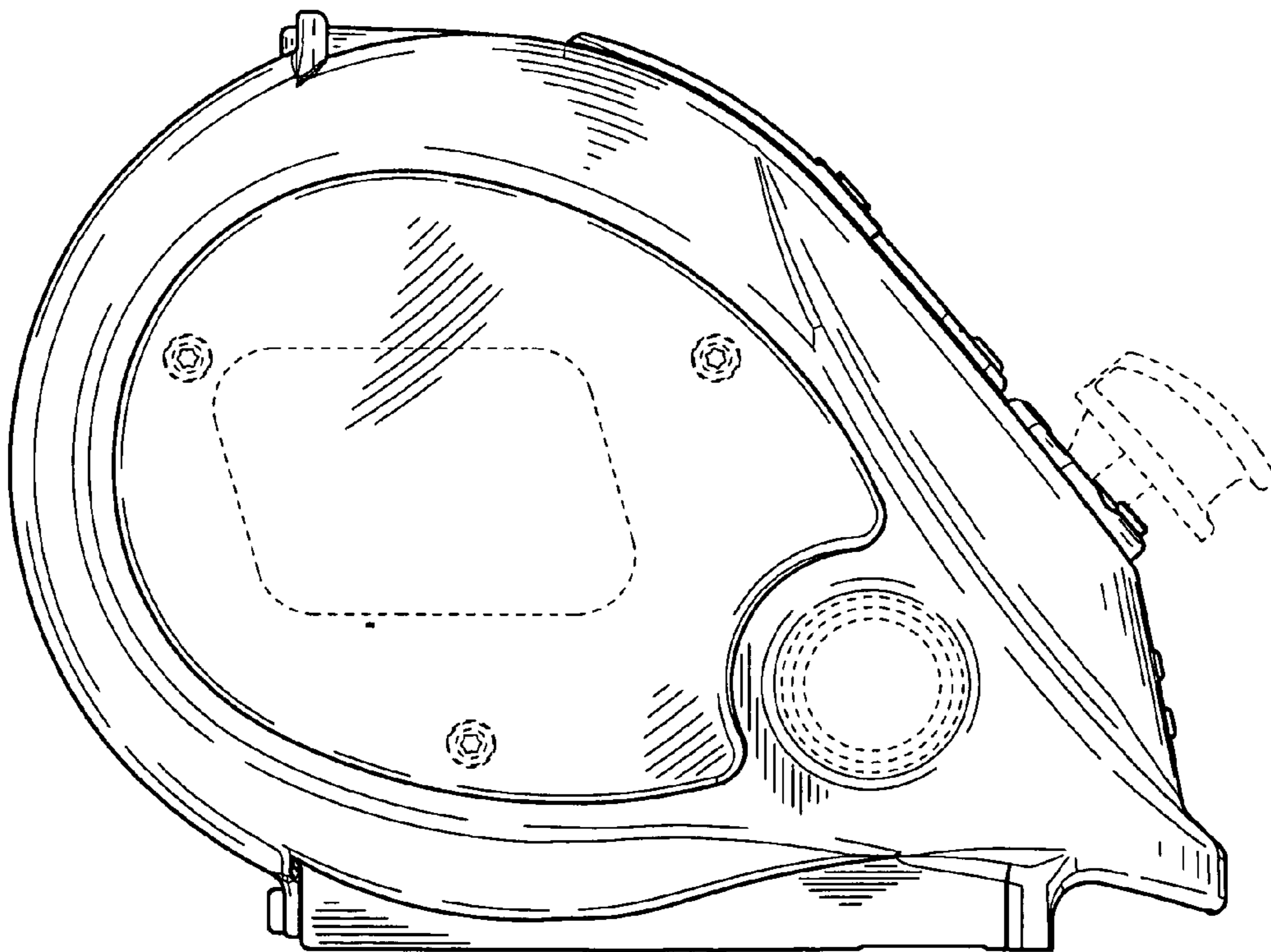


Fig. 3

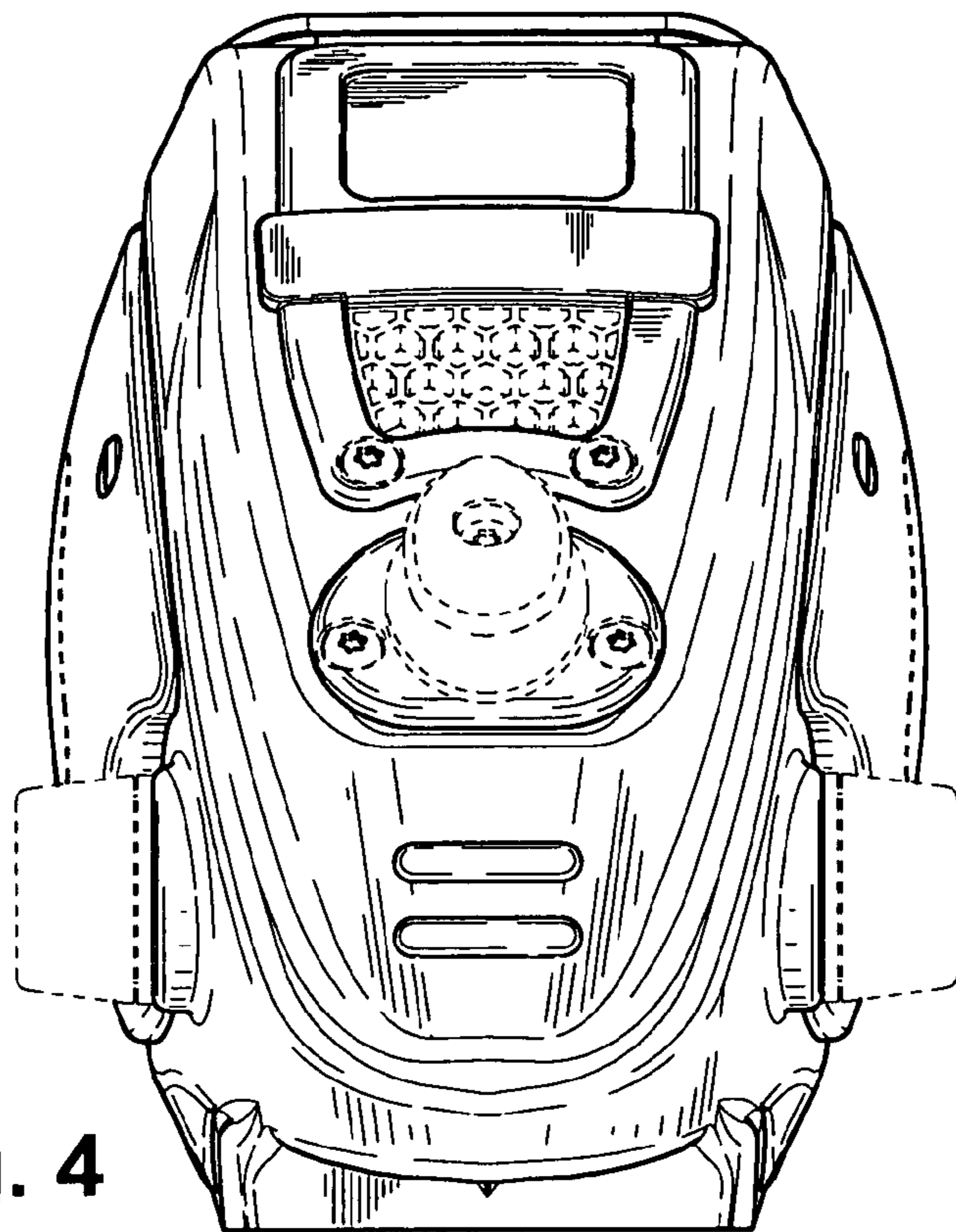


Fig. 4

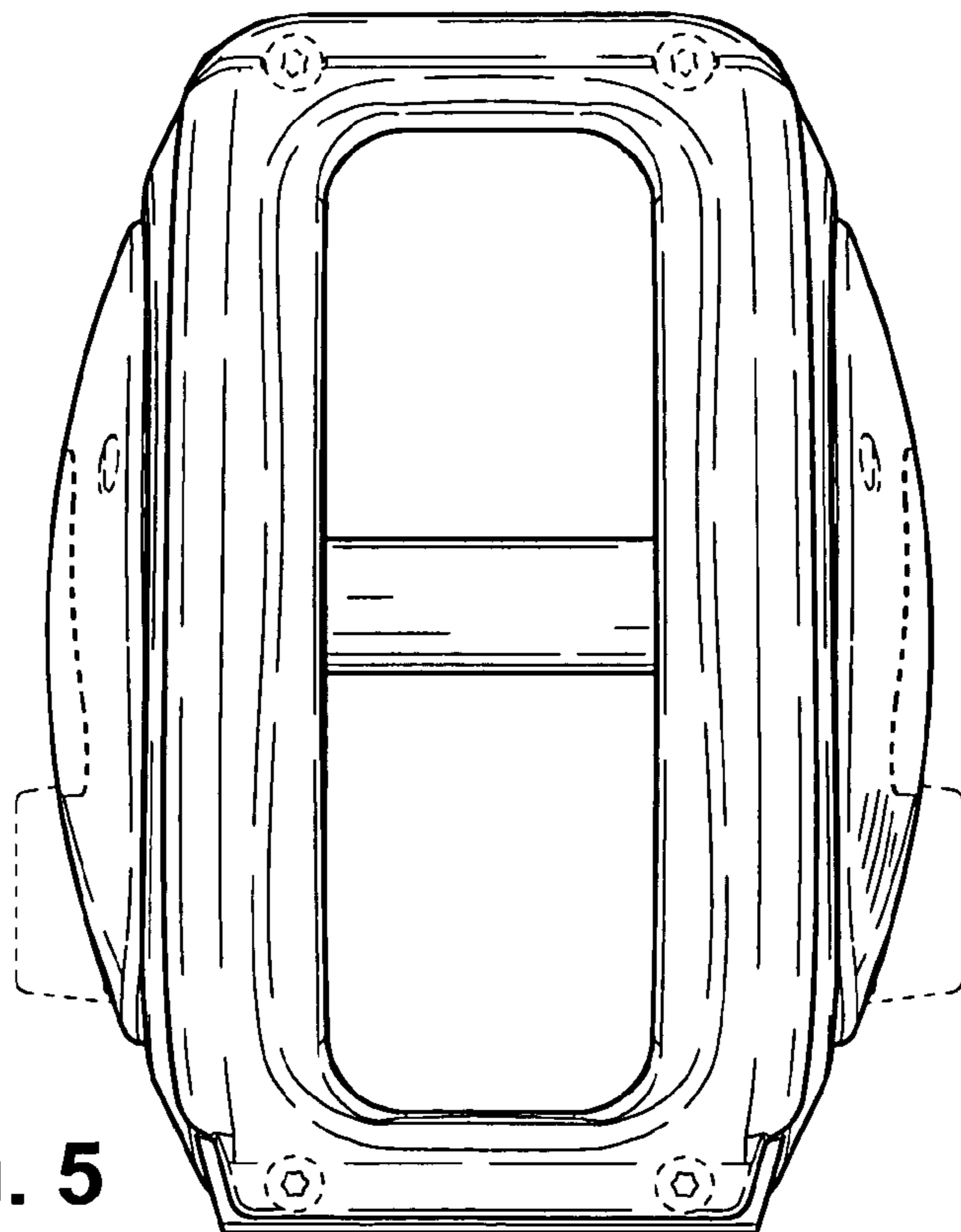


Fig. 5

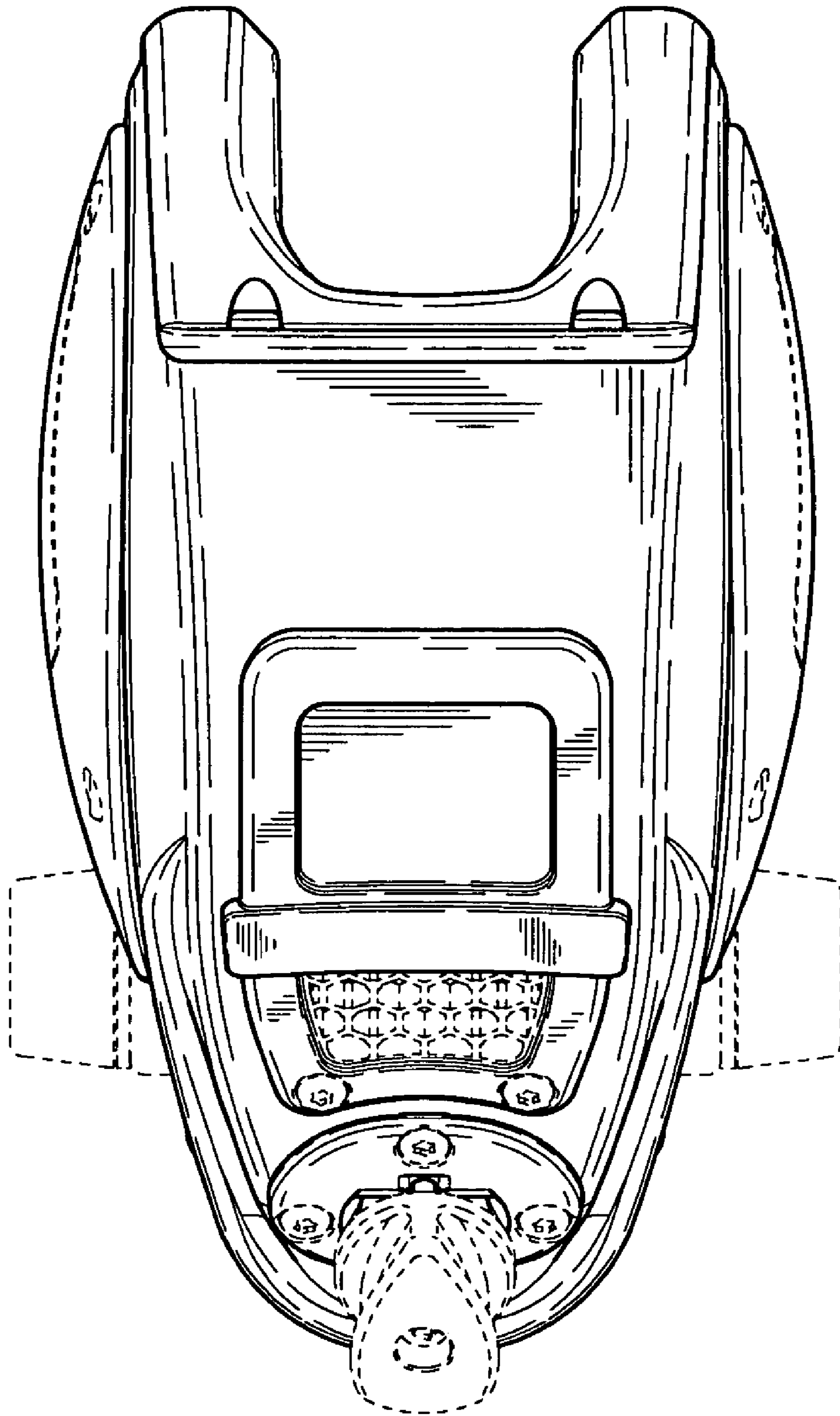


Fig. 6

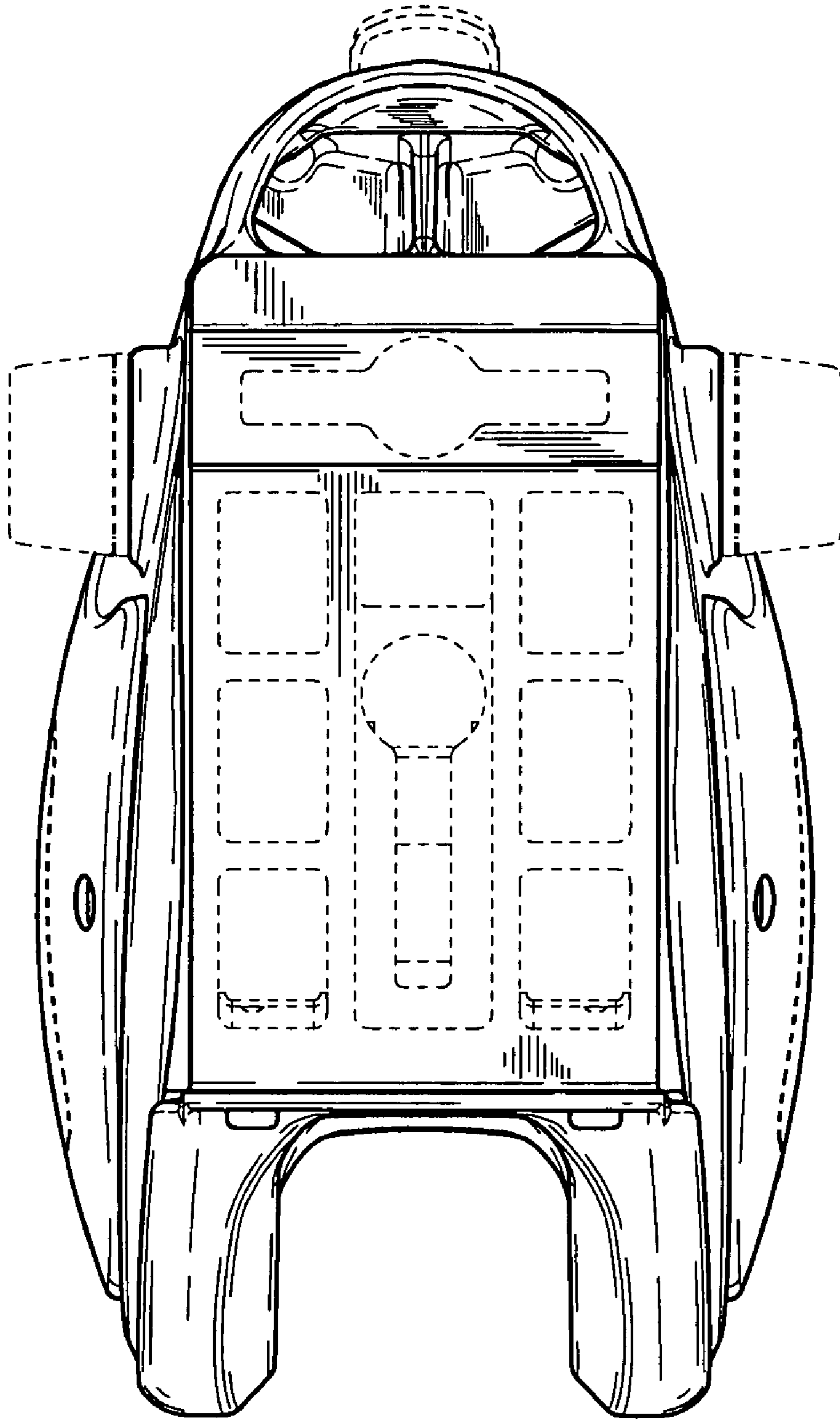


Fig. 7