



US00D595914S

(12) **United States Design Patent**
Housley

(10) **Patent No.:** **US D595,914 S**
(45) **Date of Patent:** **** Jul. 7, 2009**

(54) **SINK ORGANIZER**

(76) Inventor: **Brent L. Housley**, 6677 S. Forest Way,
Unit B, Centennial, CO (US) 80121

(**) Term: **14 Years**

(21) Appl. No.: **29/328,034**

(22) Filed: **Nov. 18, 2008**

(51) **LOC (9) Cl.** **07-05**

(52) **U.S. Cl.** **D32/55; D32/58; 211/41.5**

(58) **Field of Classification Search** **D32/55-58;**
D6/411, 462, 553, 458, 510; 220/287, 572;
4/654-657; 211/41.1-41.5, 12, 13.1, 71,
211/74, 85.25-85.26; 248/95, 97, 99-100

See application file for complete search history.

(56) **References Cited**

U.S. PATENT DOCUMENTS

| | | | | | |
|-----------|------|---------|-------------------|-------|-----------|
| 2,958,424 | A * | 11/1960 | Bigatti | | 211/41.5 |
| 3,422,959 | A * | 1/1969 | Sharaf | | 211/41.4 |
| 3,612,285 | A * | 10/1971 | Mason | | 211/41.8 |
| D247,416 | S * | 3/1978 | Berman et al. | | D32/55 |
| D363,578 | S * | 10/1995 | Brightbill et al. | | D32/55 |
| 5,865,325 | A | 2/1999 | Comstock | | |
| D429,863 | S * | 8/2000 | Lenney | | D32/55 |
| 6,341,704 | B1 * | 1/2002 | Michel, Jr. | | 211/181.1 |

* cited by examiner

Primary Examiner—Pamela J Burgess

(74) *Attorney, Agent, or Firm*—Aileen Law; Sara A. Gossman; A Law Firm, P.C.

(57) **CLAIM**

The ornamental design for a sink organizer, as shown and described.

DESCRIPTION

FIG. 1 is a perspective view of a sink organizer showing my new design;

FIG. 2 is a front elevational view of FIG. 1

FIG. 3 is a rear elevational view of FIG. 1.

FIG. 4 is a left side elevational view of FIG. 1.

FIG. 5 is a right side elevational view of FIG. 1.

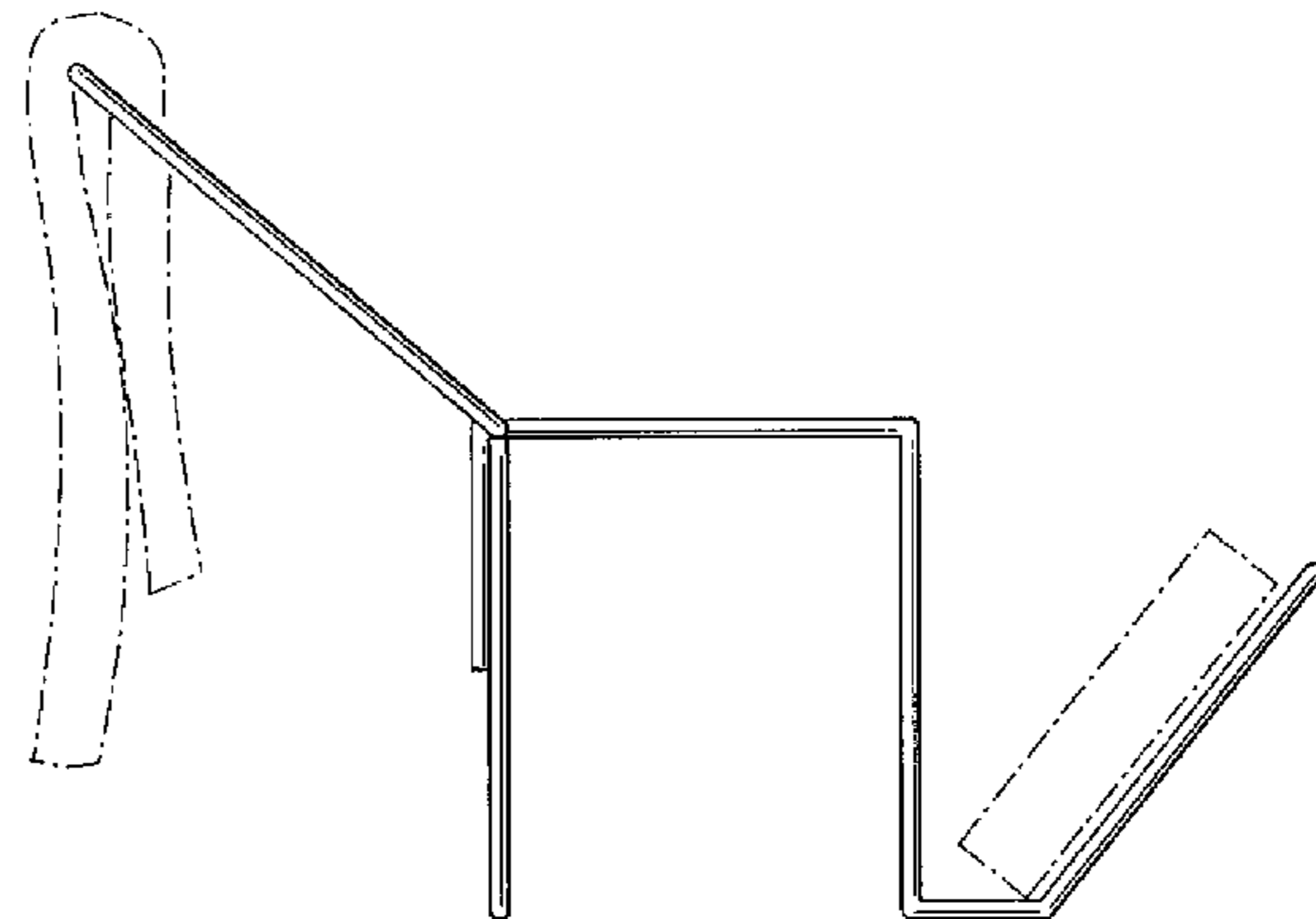
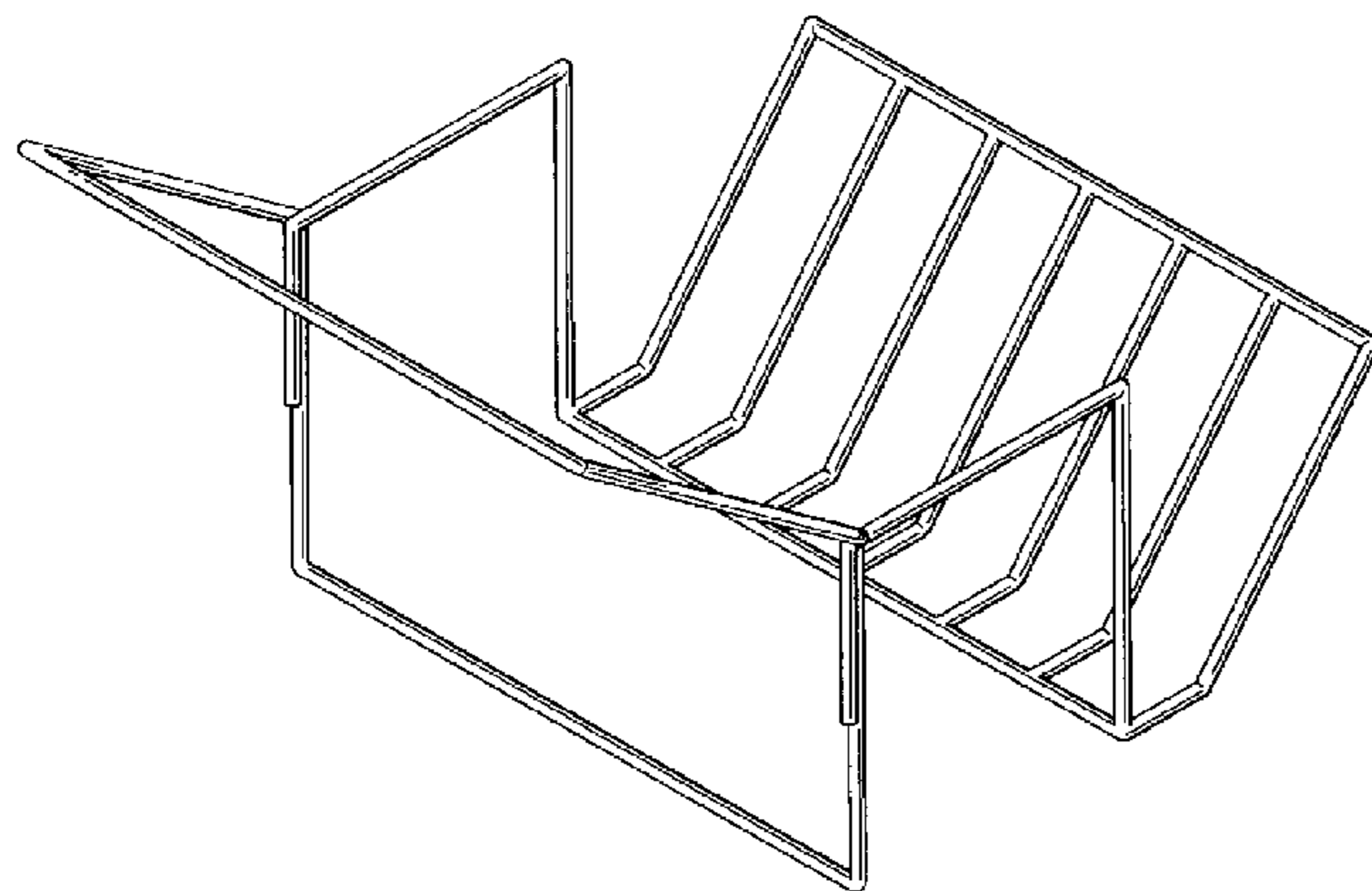
FIG. 6 is a top plan view of FIG. 1.

FIG. 7 is a bottom plan view of FIG. 1; and,

FIG. 8 is a perspective view of a second embodiment of a sink organizer showing my new design. For ease of illustration, it is understood that the use of a separation and bracket indicates the second embodiment is of indeterminate length, thus the precise length of this sink organizer portion is not claimed.

The broken lines shown in the drawings are for illustrative purposes and form no part of the claimed design.

1 Claim, 3 Drawing Sheets



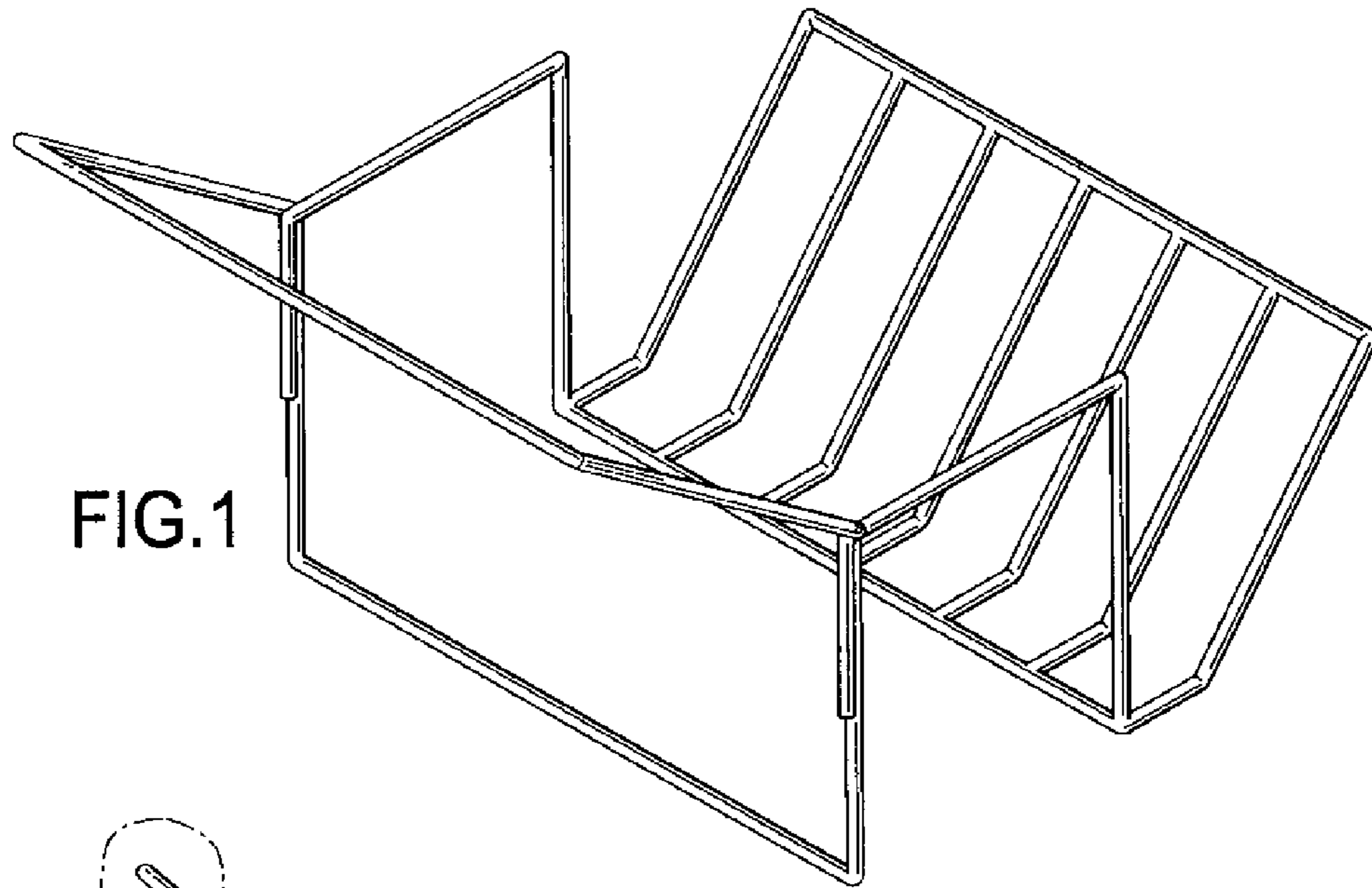


FIG. 1

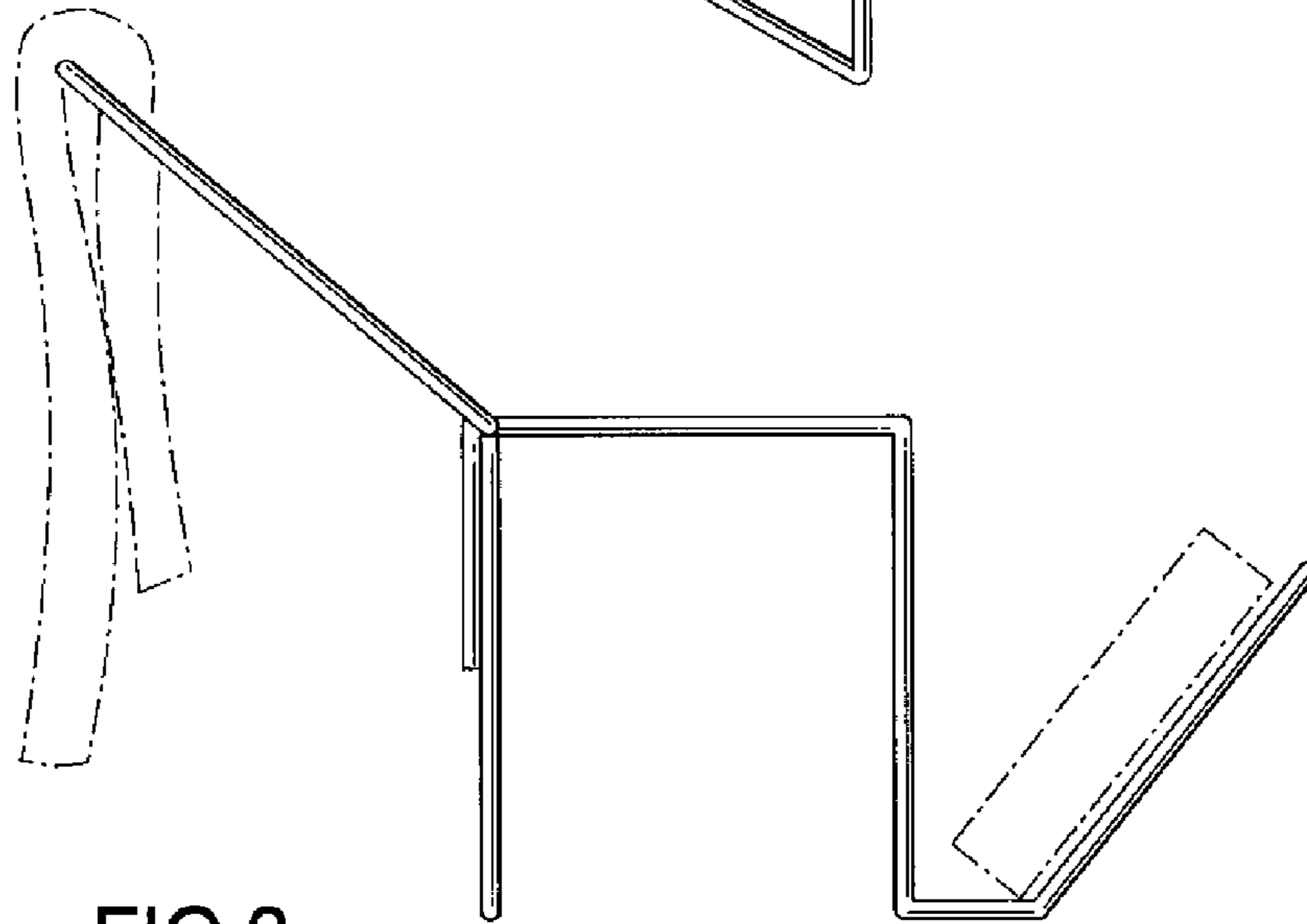


FIG. 2

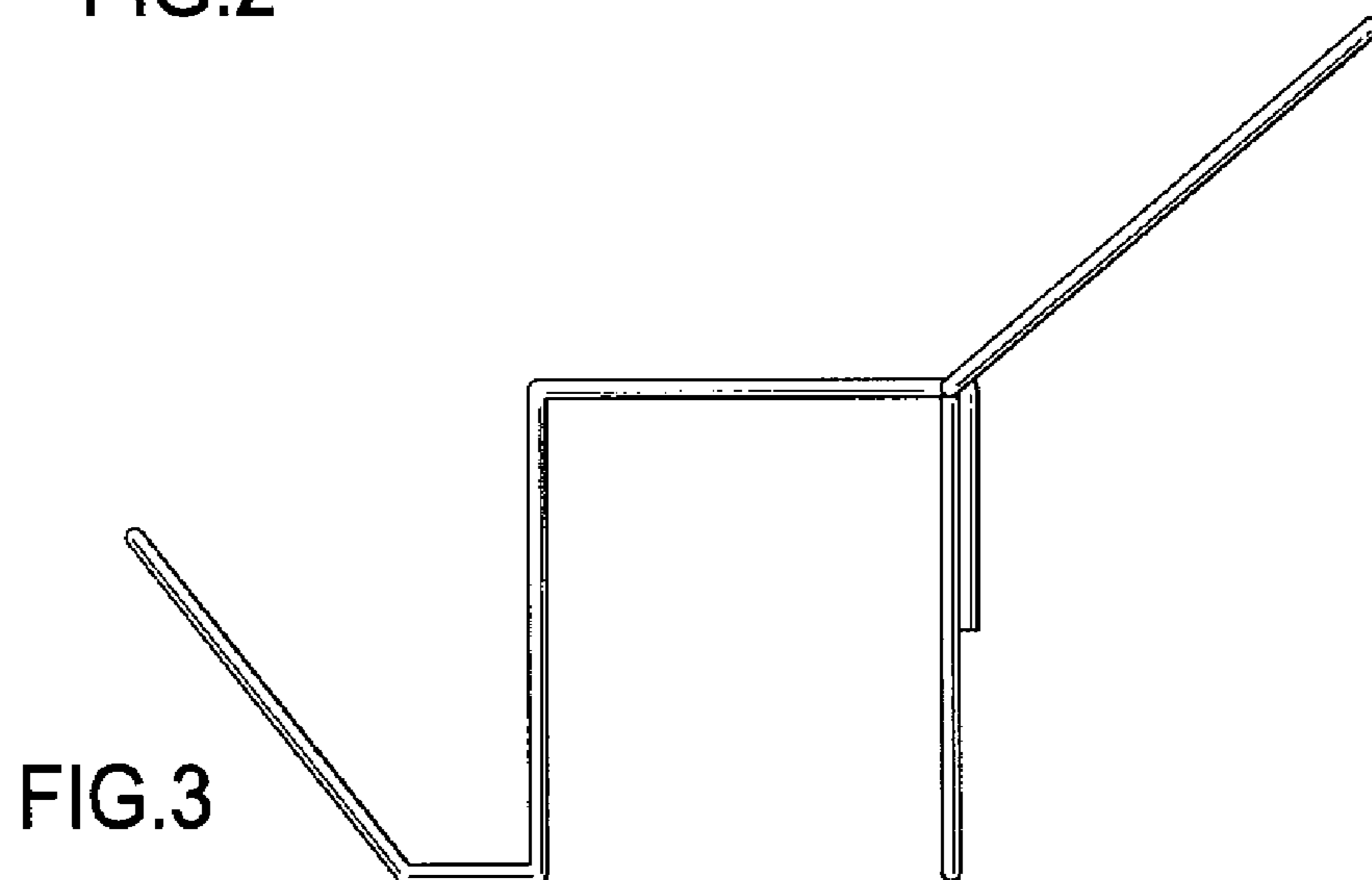


FIG. 3

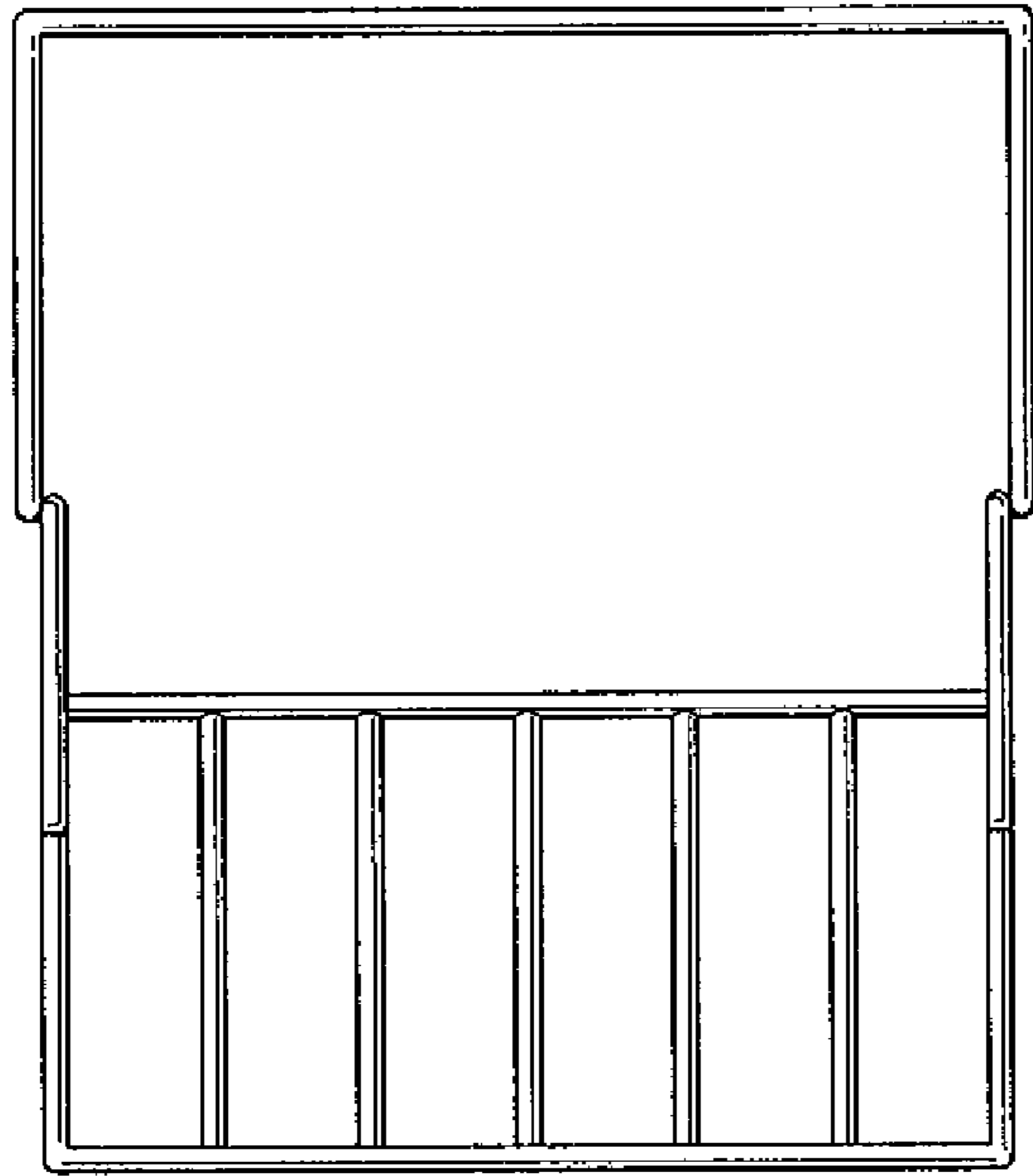


FIG. 4

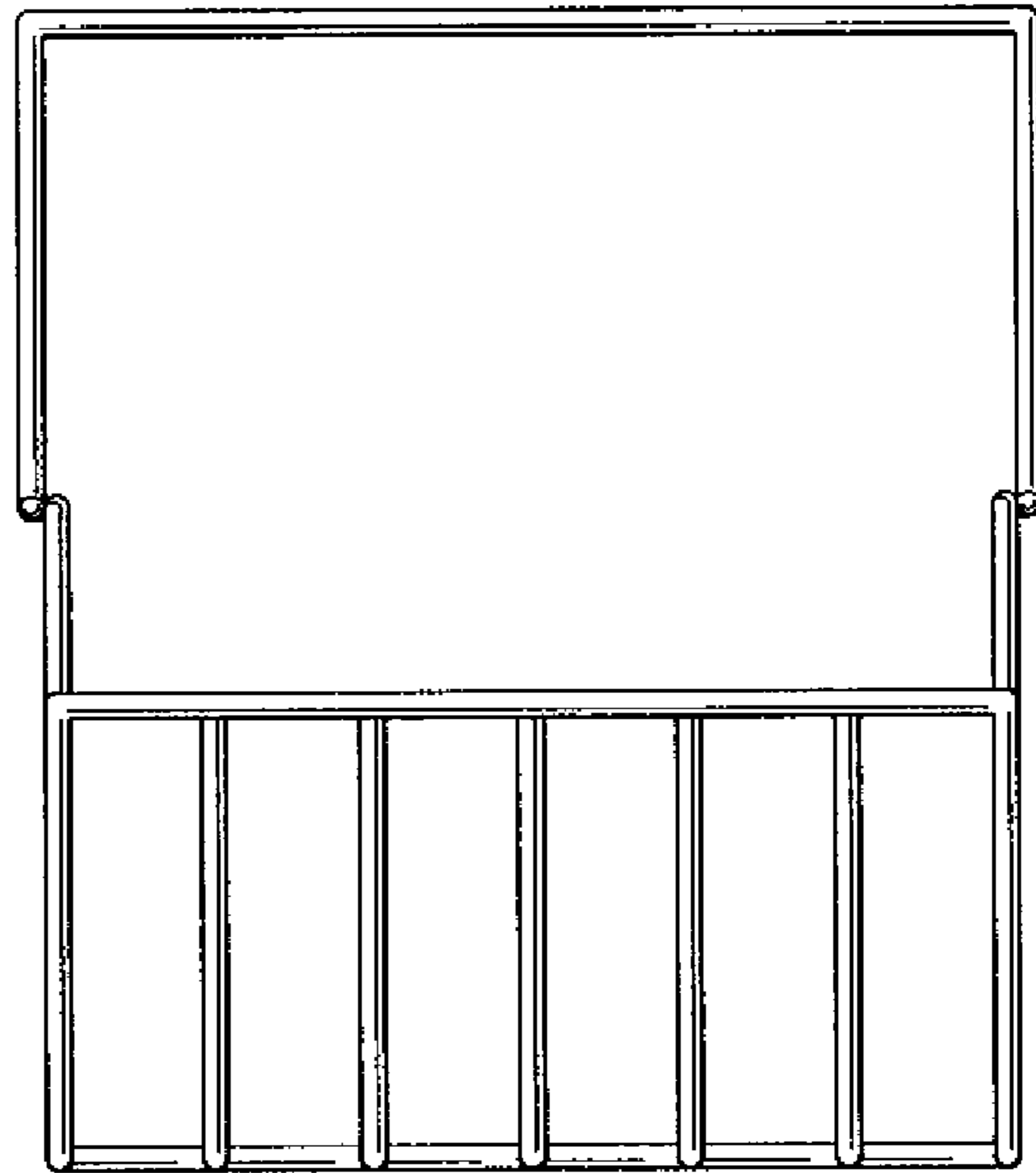


FIG. 5

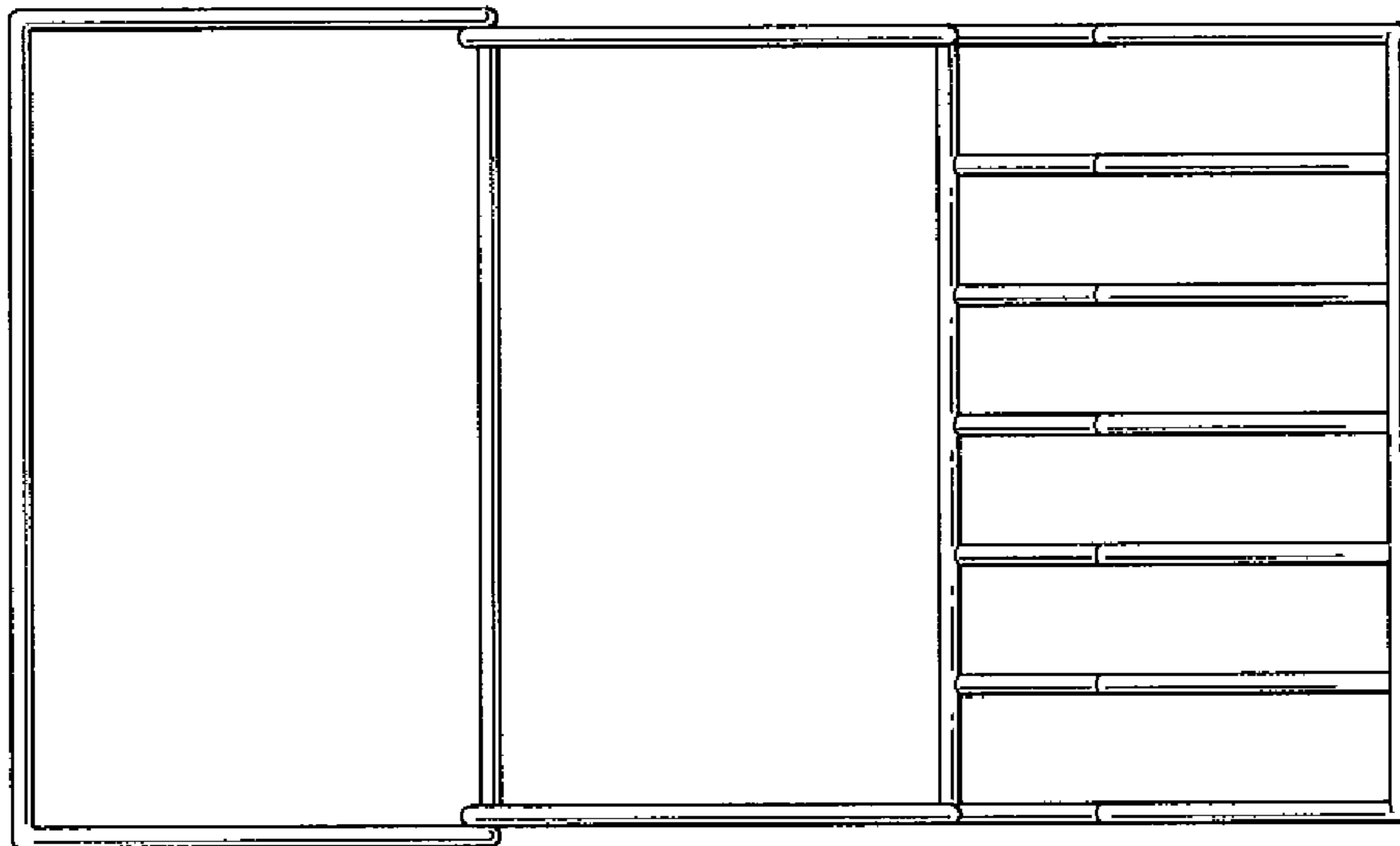


FIG. 6

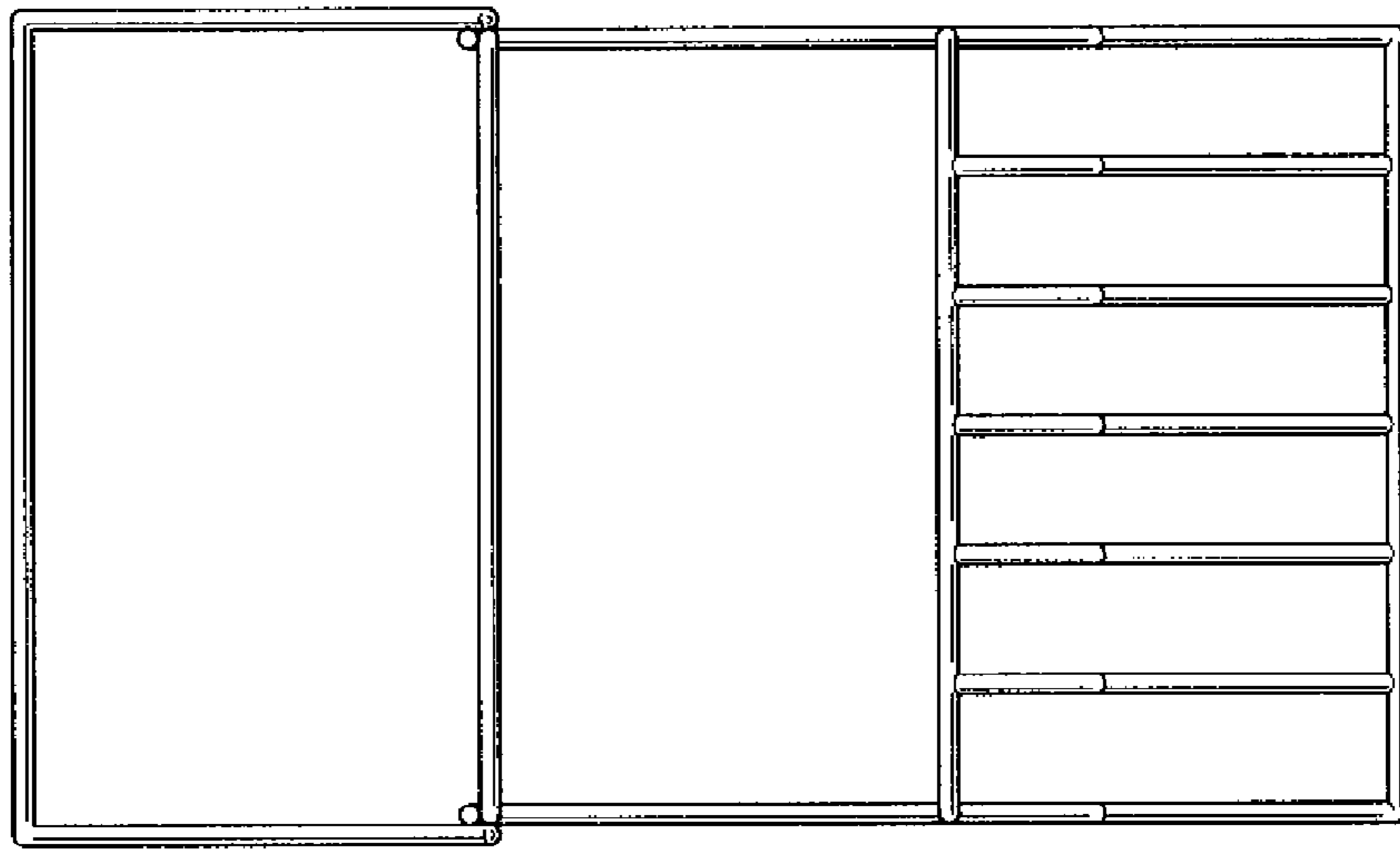


FIG. 7

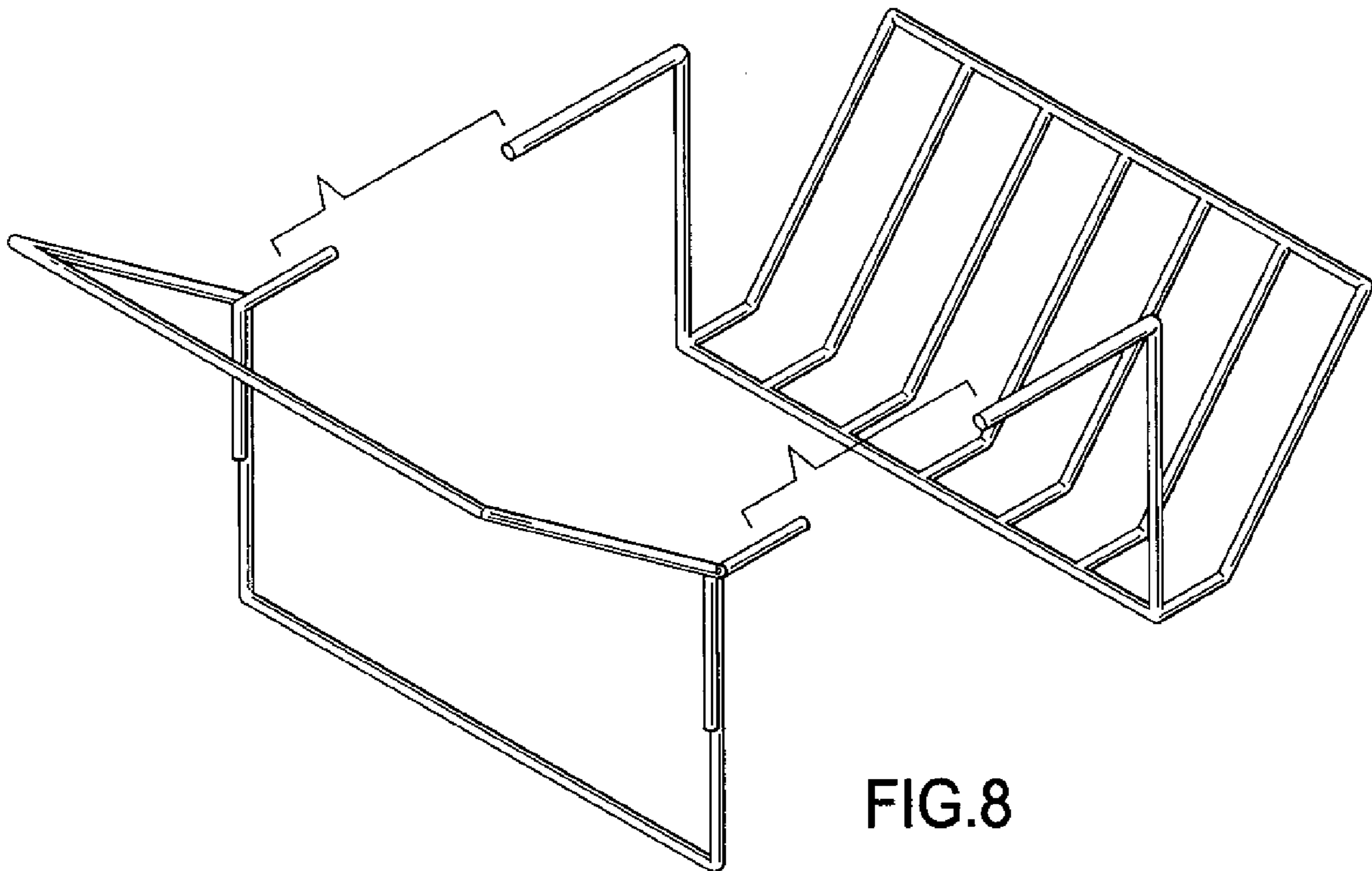


FIG. 8