



US00D595913S

(12) **United States Design Patent**
Traxler

(10) **Patent No.:** **US D595,913 S**
(45) **Date of Patent:** **** Jul. 7, 2009**

(54) **BUCKET EXTENDER**

(75) Inventor: **Michael Traxler**, North Hollywood, CA (US)

(73) Assignee: **The Skin Shop, Inc.**, Simi Valley, CA (US)

(**) Term: **14 Years**

(21) Appl. No.: **29/296,225**

(22) Filed: **Oct. 16, 2007**

(51) **LOC (9) Cl.** **07-07**

(52) **U.S. Cl.** **D32/54**

(58) **Field of Classification Search** D23/53,
D23/53.1, 54; 15/264; 220/904, 699-701;
222/570

See application file for complete search history.

(56) **References Cited**

U.S. PATENT DOCUMENTS

2,177,178	A	10/1939	Hays	
2,546,040	A	3/1951	Murray	
2,786,614	A *	3/1957	Giusto	222/570
2,904,208	A *	9/1959	Woolfolk	220/4.03
3,309,000	A *	3/1967	Haverstick	222/569
3,366,272	A *	1/1968	Ballmann	220/698
D262,193	S	12/1981	Fowkes	
D269,596	S	7/1983	Fowkes	
4,574,969	A	3/1986	Mays	
5,137,188	A *	8/1992	Thompson	222/570
6,126,048	A *	10/2000	Bublitz	222/570
6,705,480	B1	3/2004	Saddler	
6,715,627	B1	4/2004	Bonner et al.	
D504,987	S *	5/2005	Morris, Sr.	D32/53
6,983,869	B1 *	1/2006	Stevens	222/570
7,134,576	B2 *	11/2006	Gringer et al.	222/143

* cited by examiner

Primary Examiner—Robin V Webster

(74) *Attorney, Agent, or Firm*—Marc E. Hankin; Hankin Patent Law, APC

(57) **CLAIM**

The ornamental design for a bucket extender, as shown and described.

DESCRIPTION

FIG. 1 is a three-quarter top perspective view of a bucket extender showing my new design, as installed on a bucket.

FIG. 2 is an exploded three-quarter top perspective view thereof, including a lid.

FIG. 3 is a three-quarter top perspective view thereof, including the lid.

FIG. 4 is three-quarter bottom perspective view thereof.

FIG. 5 is a three-quarter top perspective view shown without the lid.

FIG. 6 is a front view thereof.

FIG. 7 is a side view thereof.

FIG. 8 is another side view thereof.

FIG. 9 is a back view thereof.

FIG. 10 is a top plan view thereof.

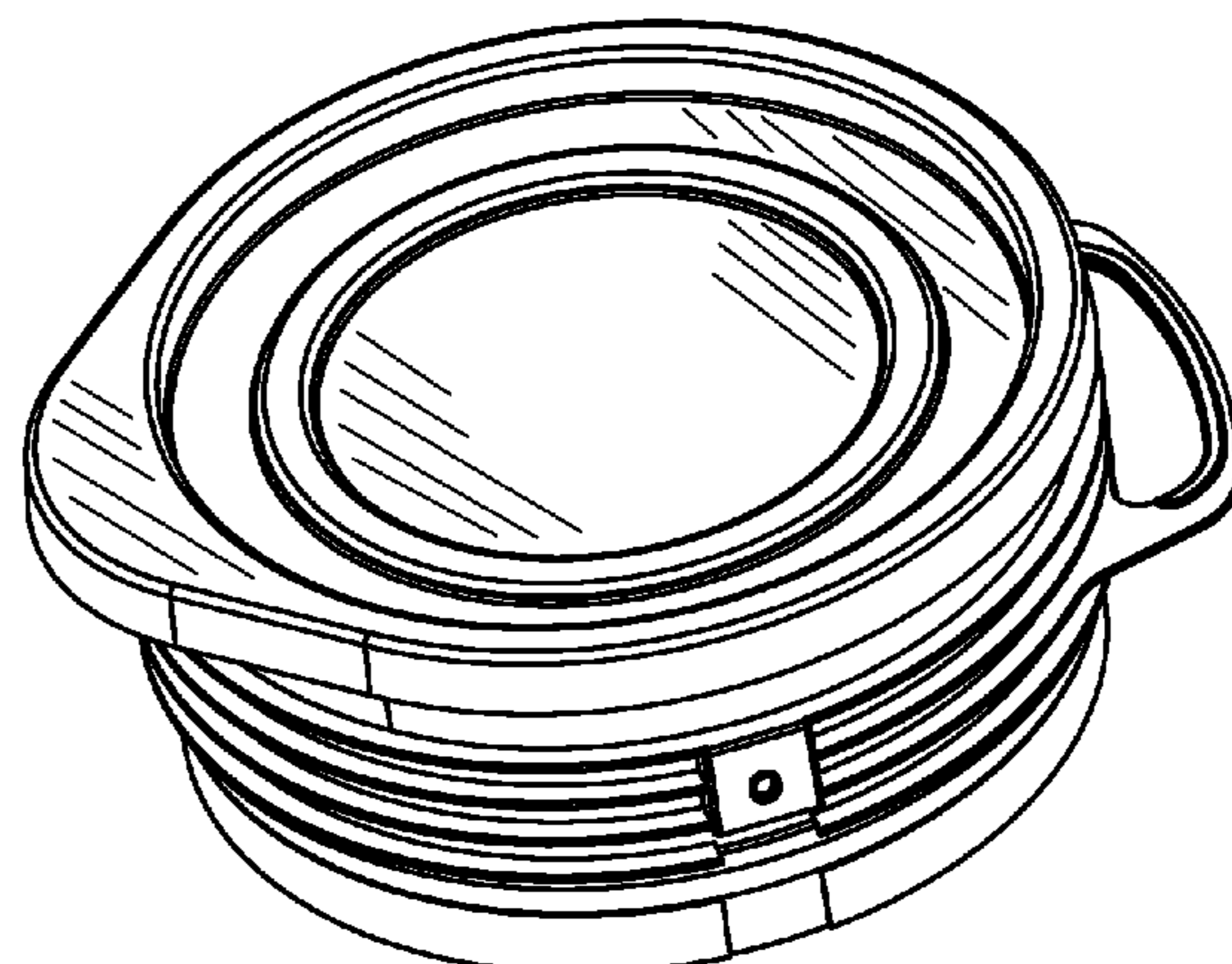
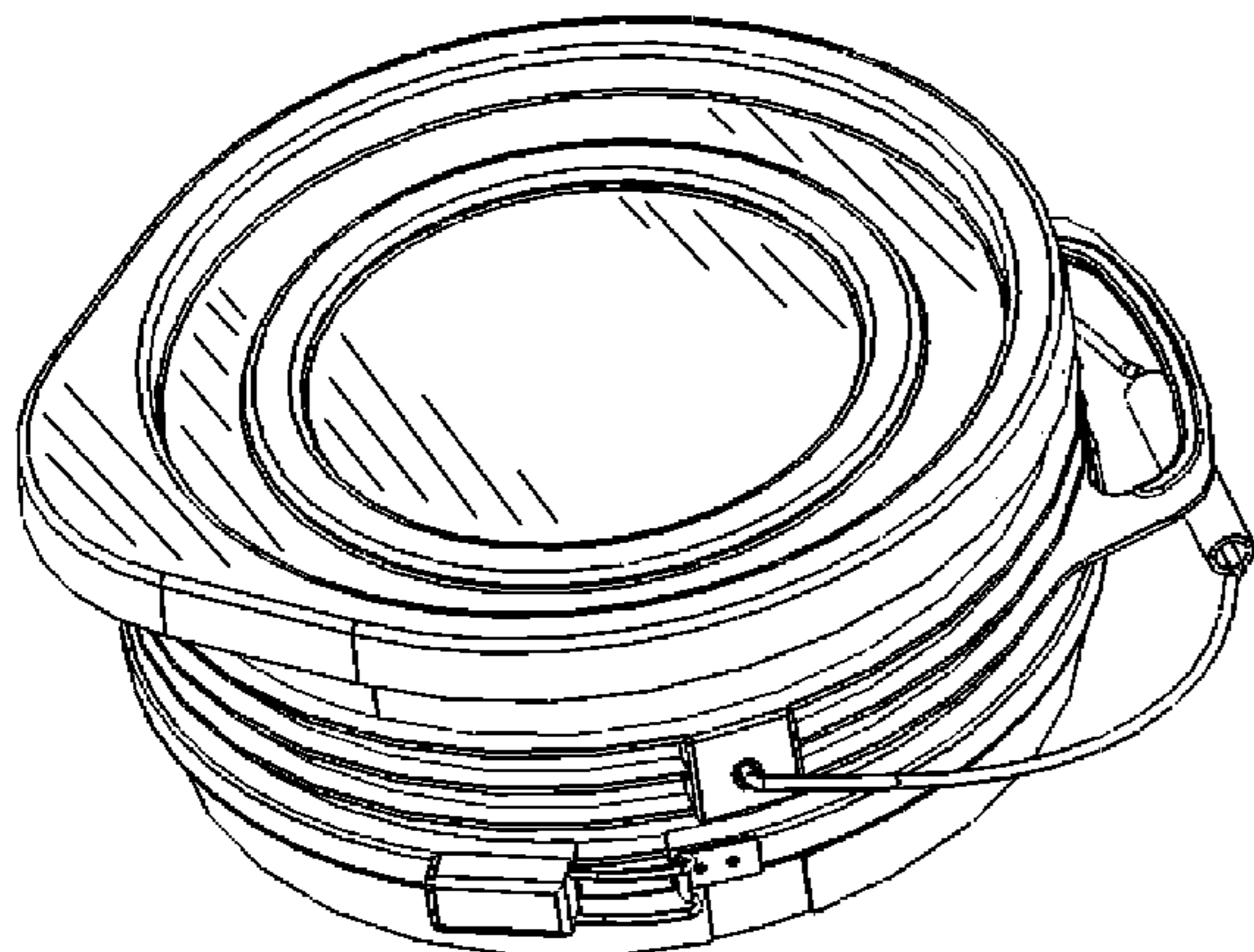
FIG. 11 is a bottom plan view thereof.

FIG. 12 is a three-quarter top perspective view of another embodiment of a bucket extender showing my new design, including a lid; and,

FIG. 13 is a three-quarter top perspective view thereof, without a lid.

The broken line showing of a bucket in FIG. 1 is included for the purpose of illustrating and forms no part of the claimed design.

1 Claim, 7 Drawing Sheets



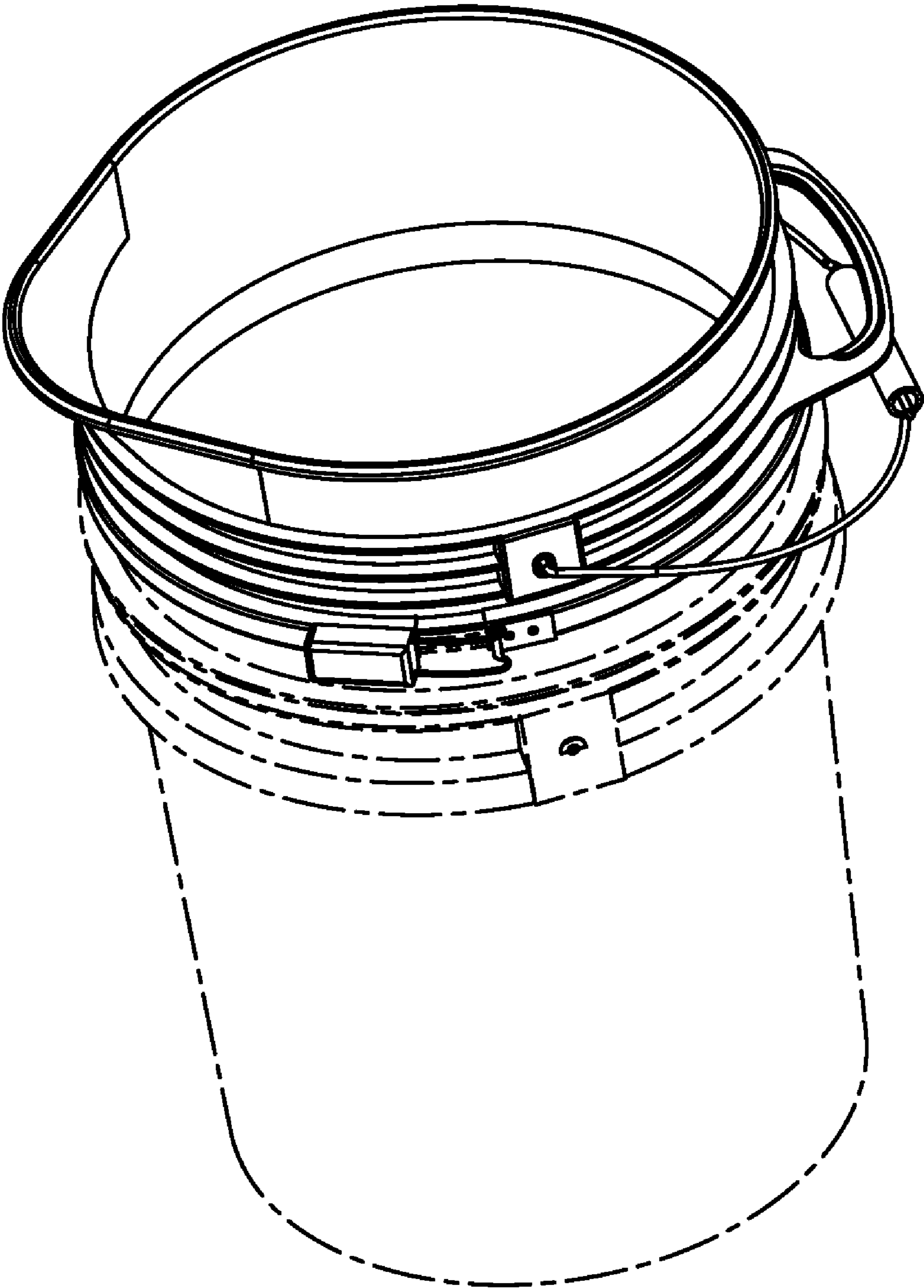


FIG.1

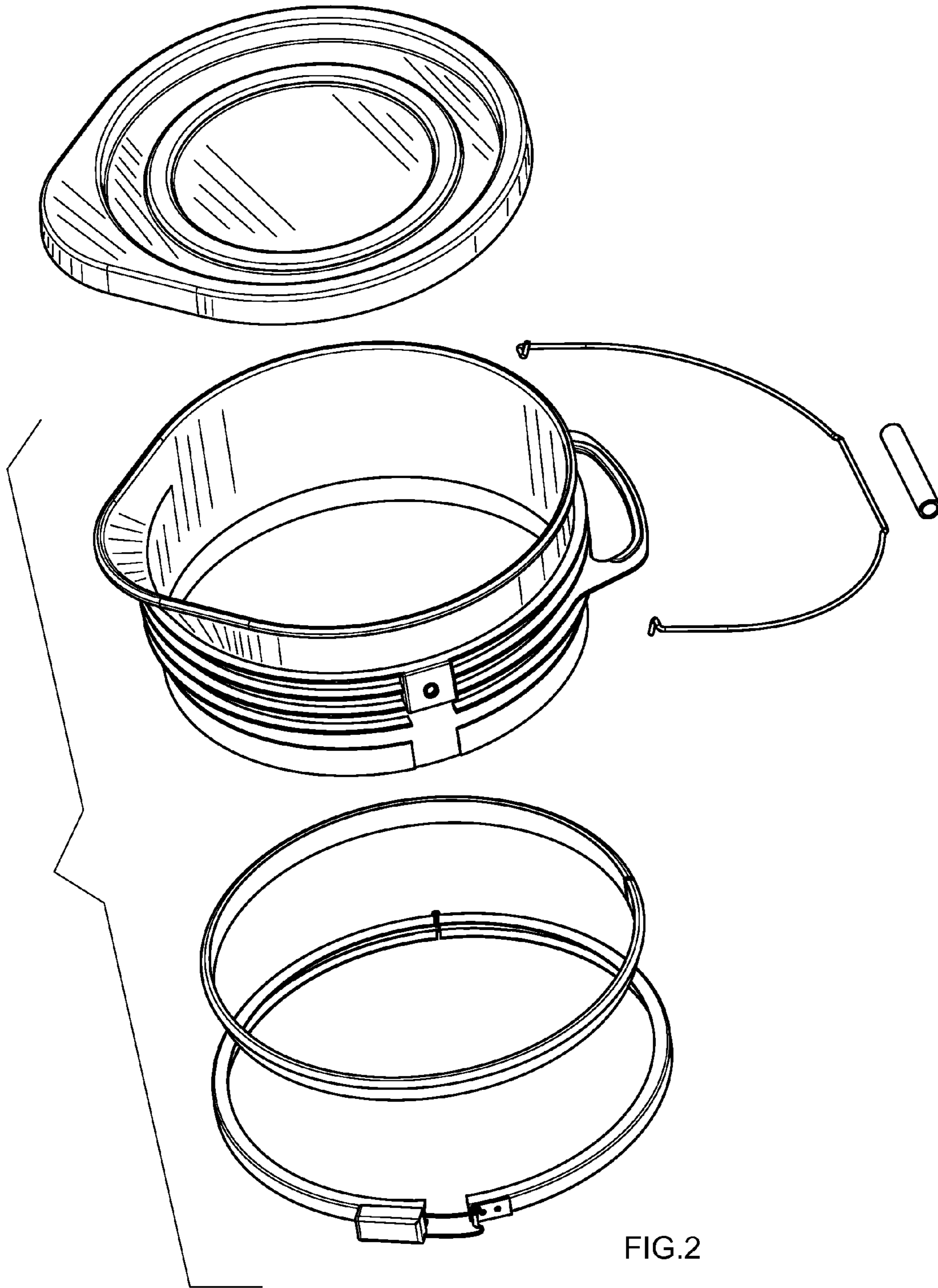


FIG.2

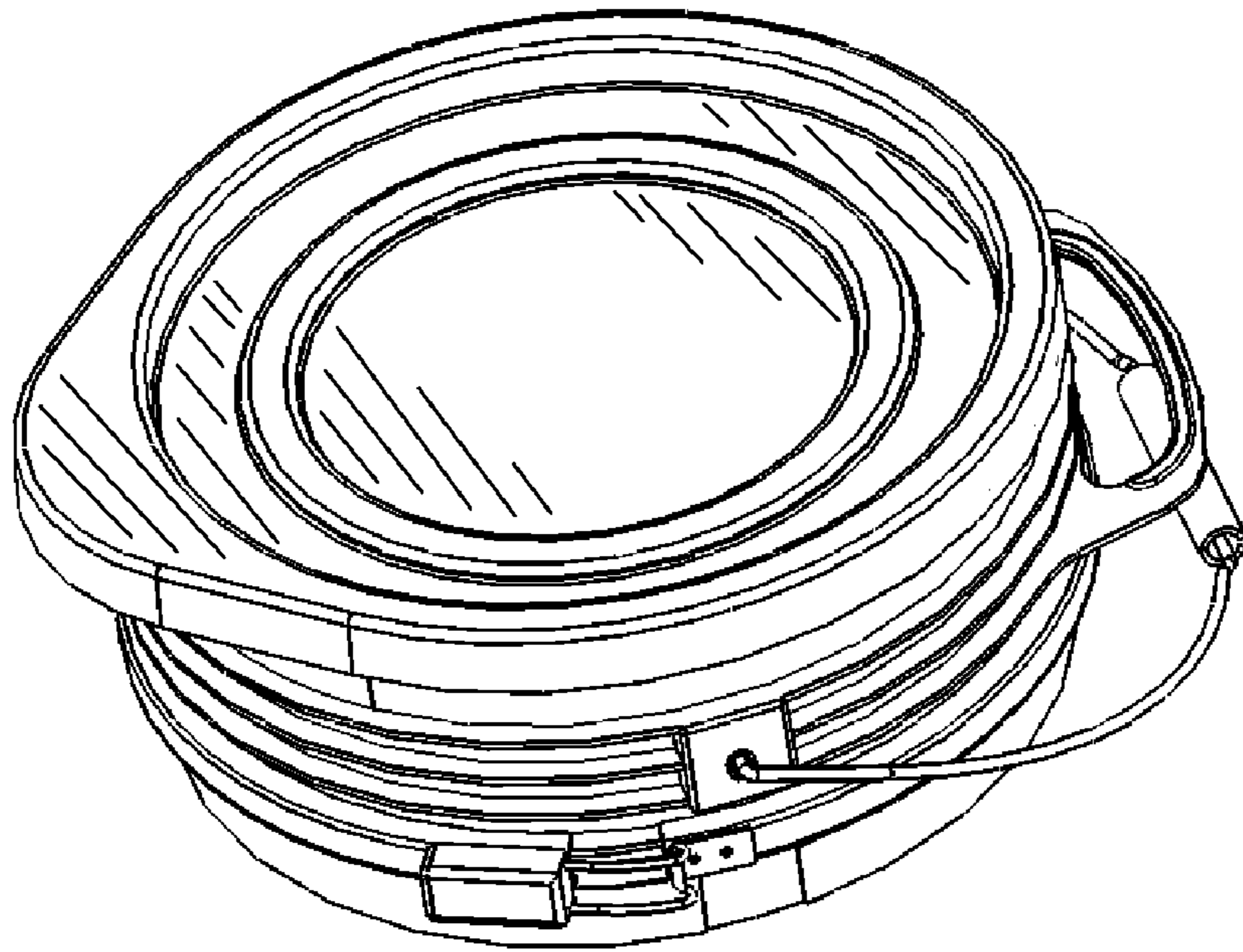


FIG.3

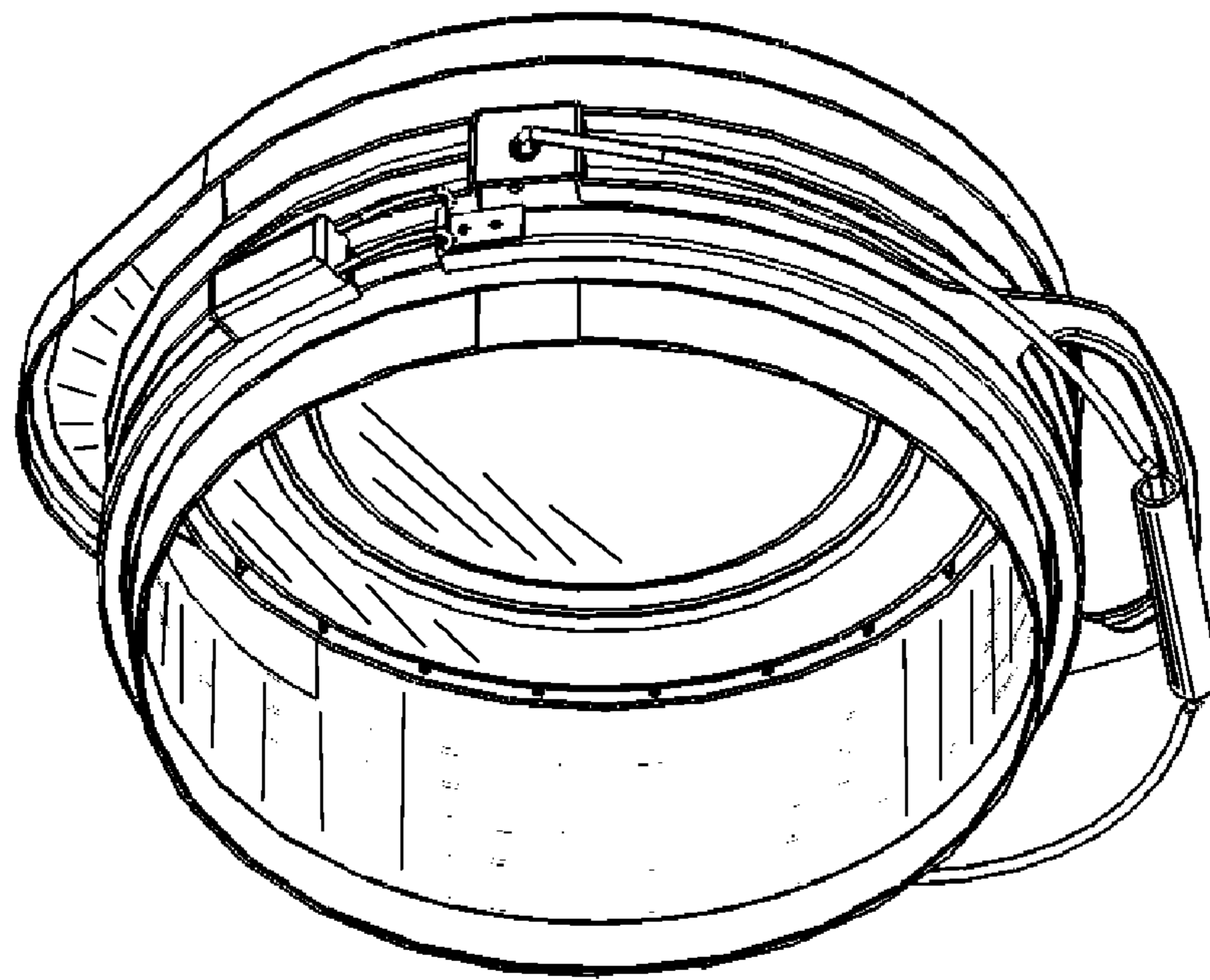


FIG.4

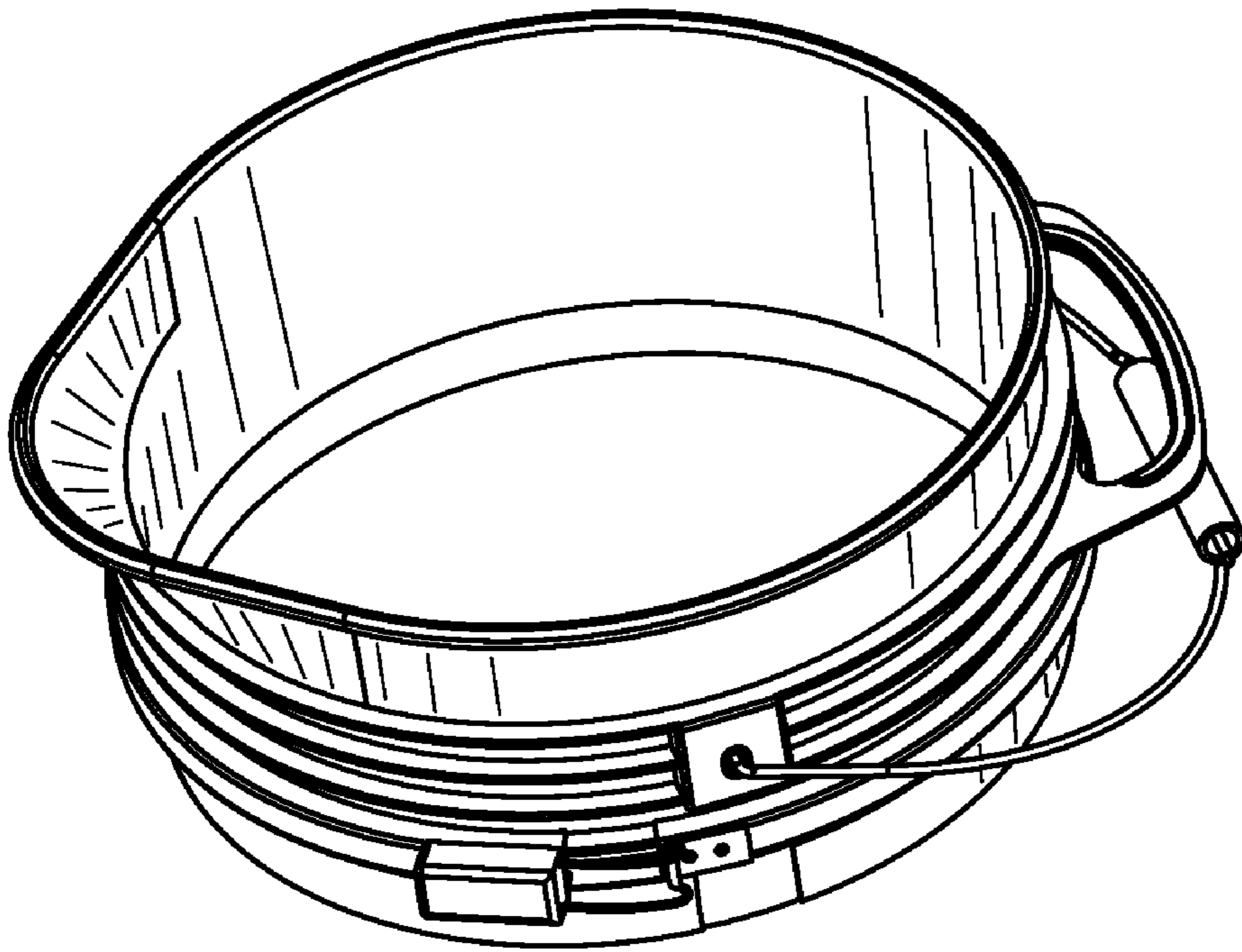


FIG. 5

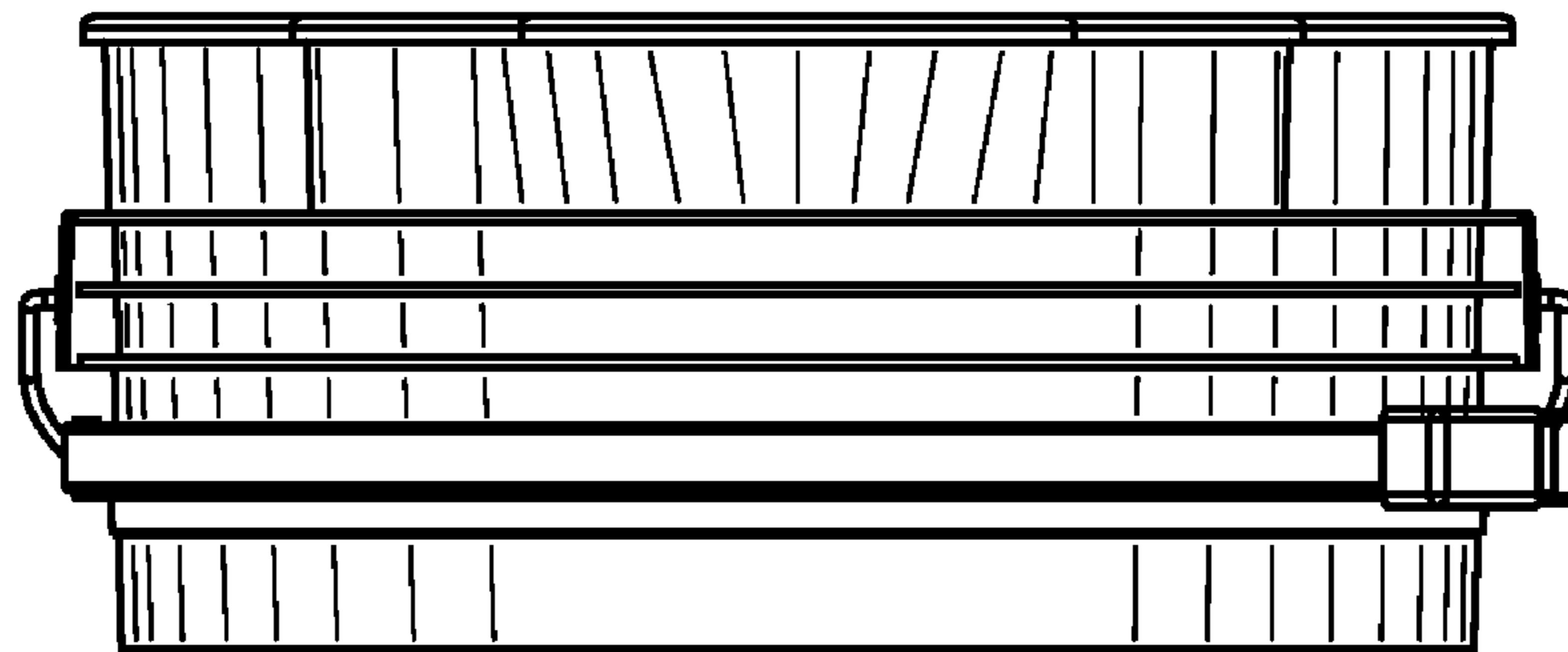


FIG. 6

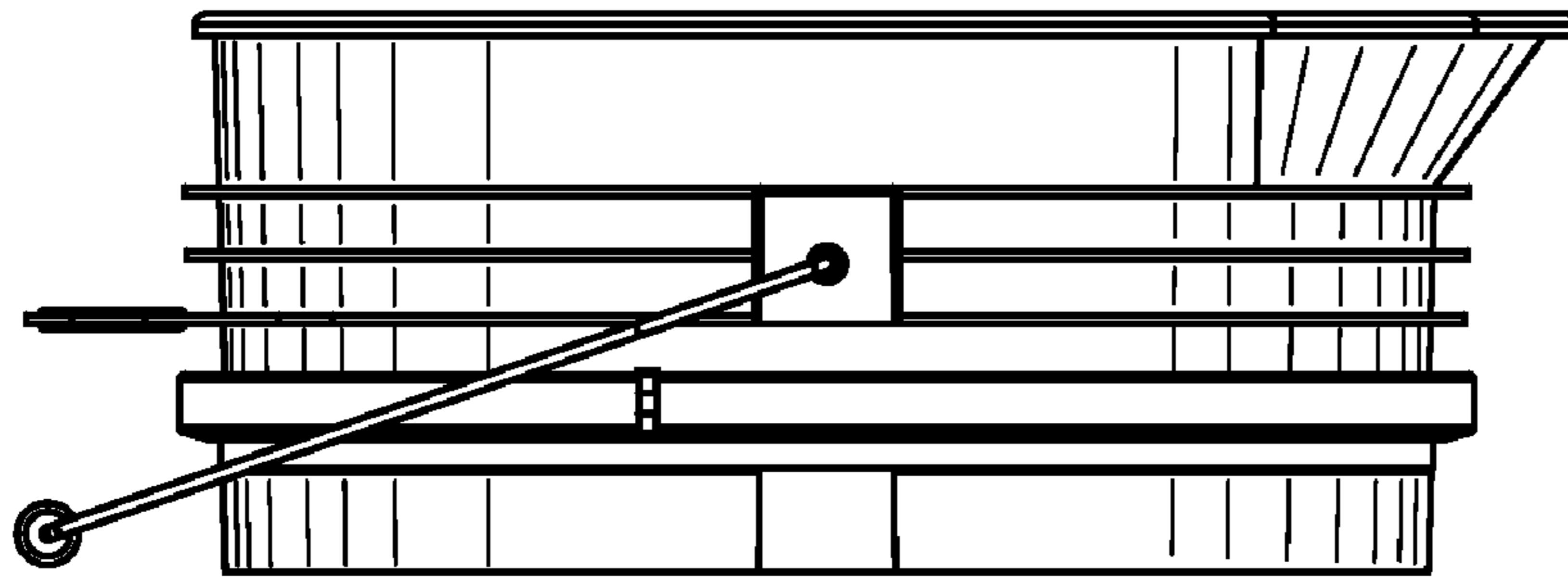


FIG. 7

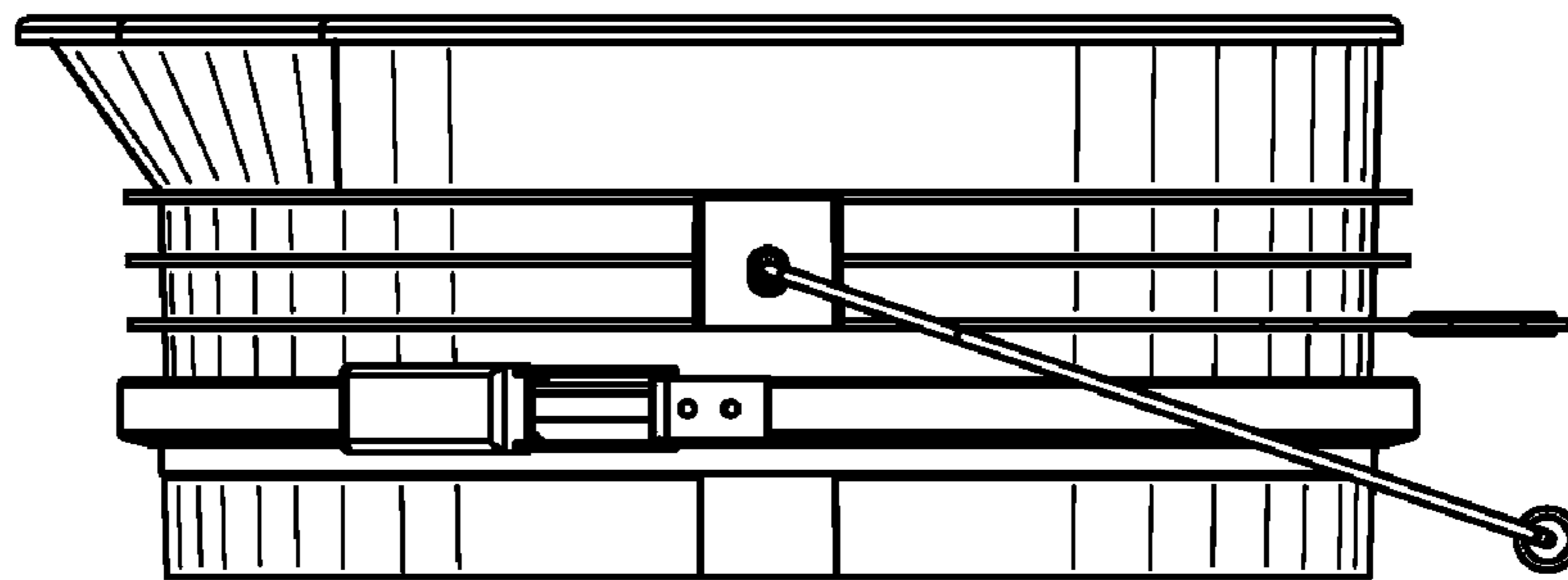


FIG. 8

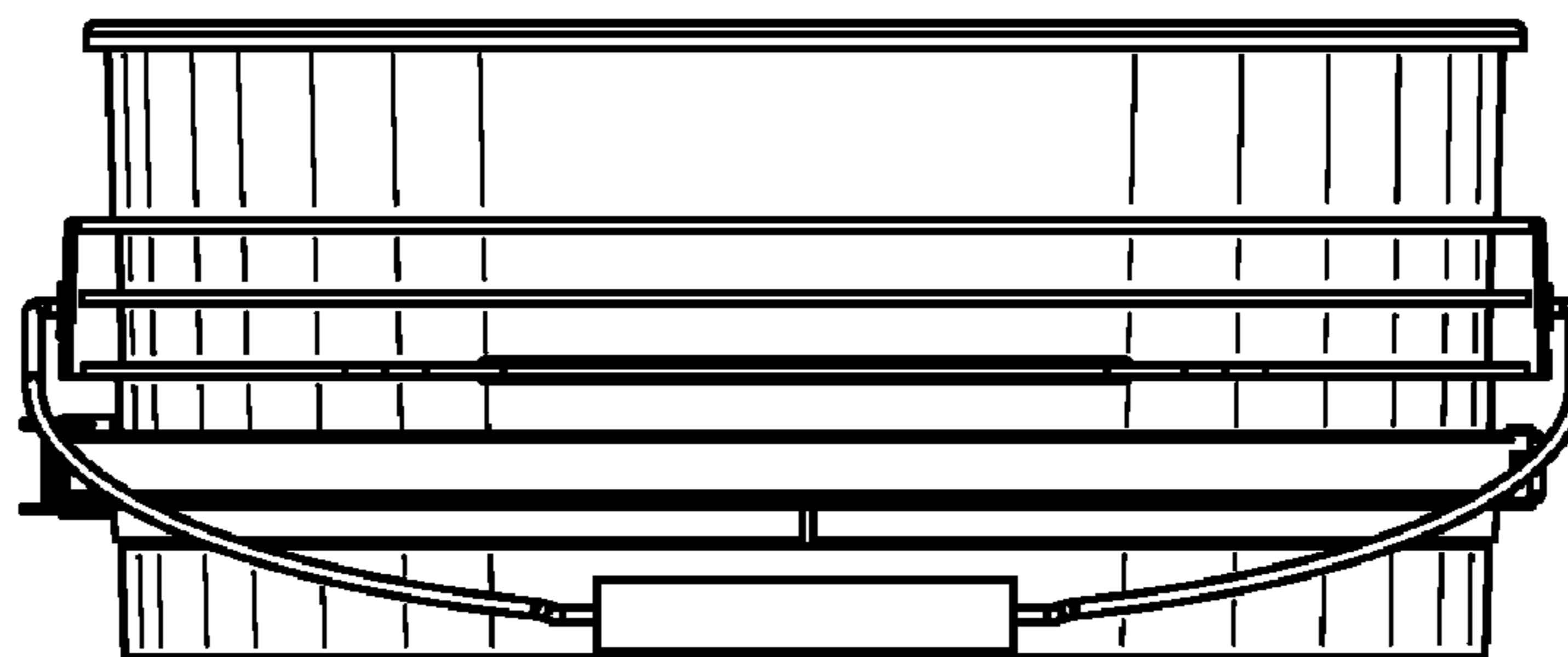


FIG. 9

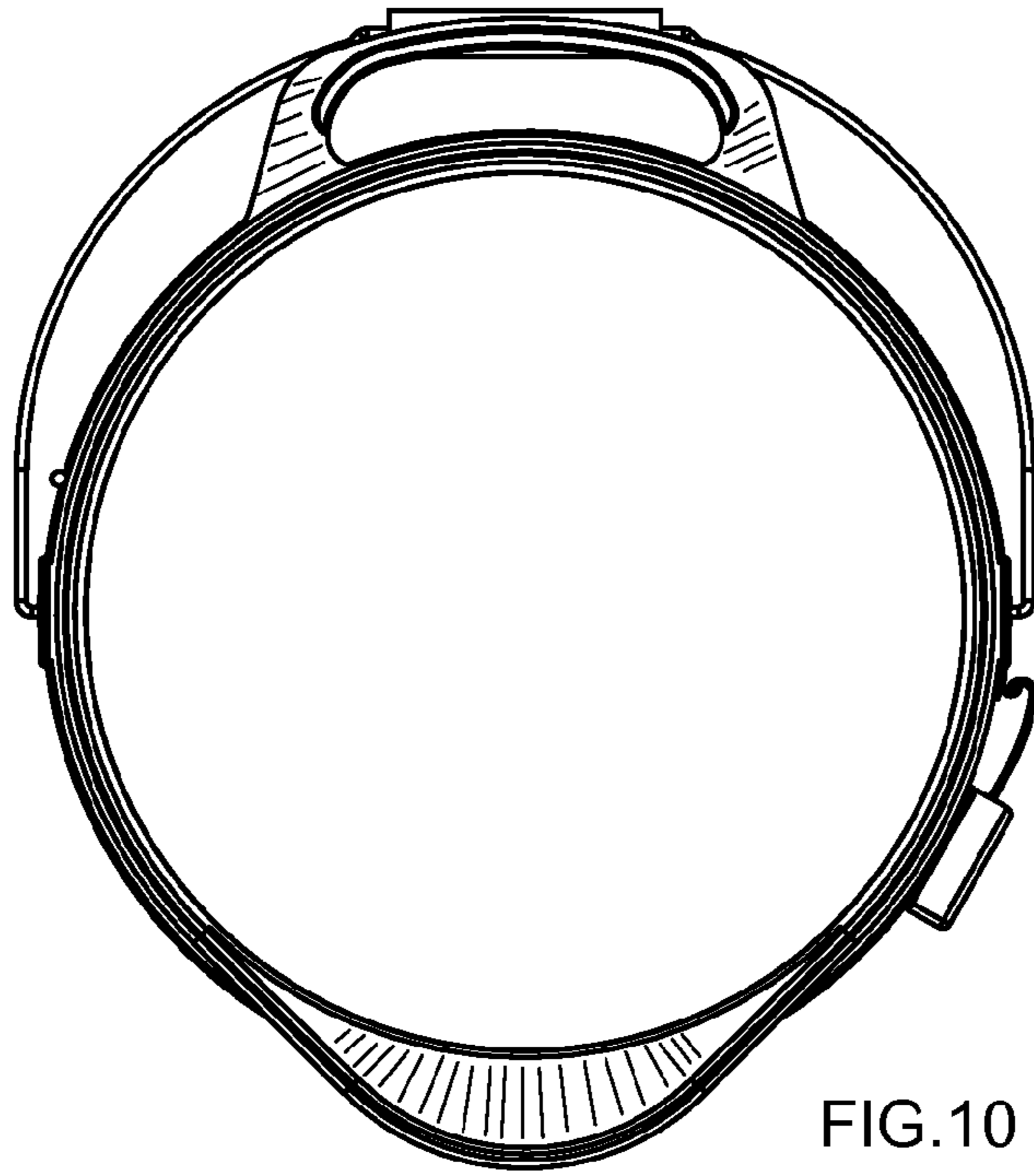


FIG.10

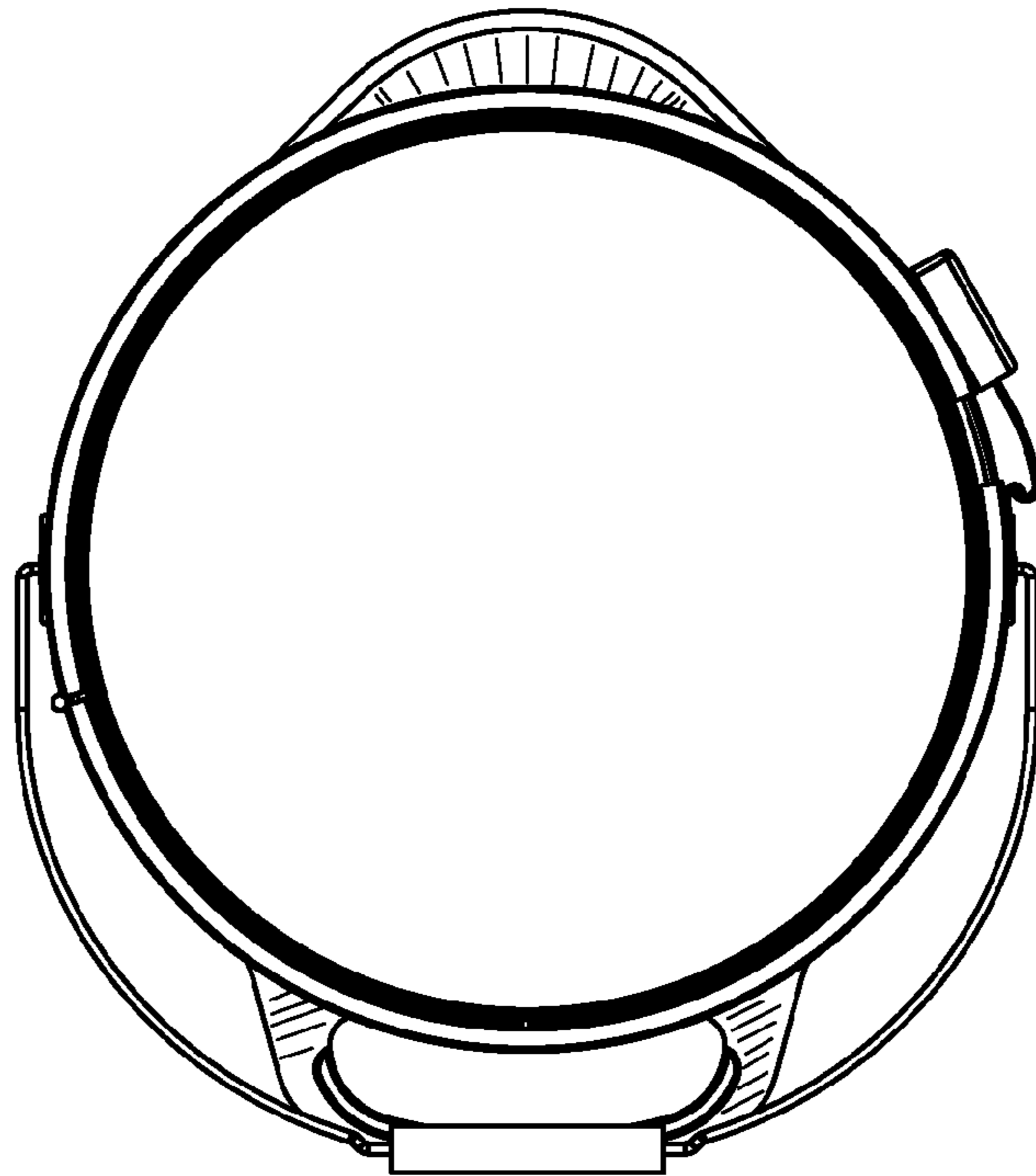


FIG.11

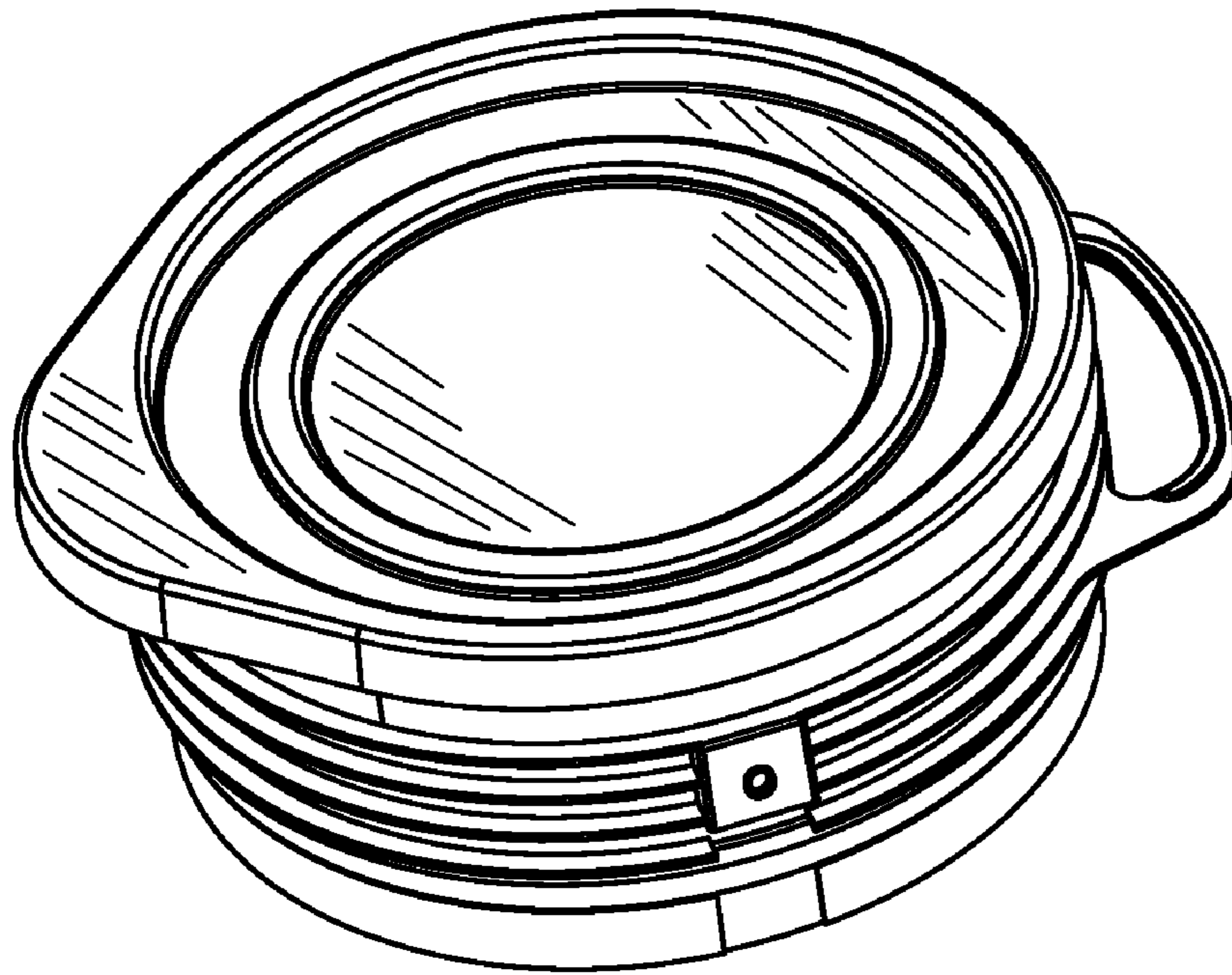


FIG.12

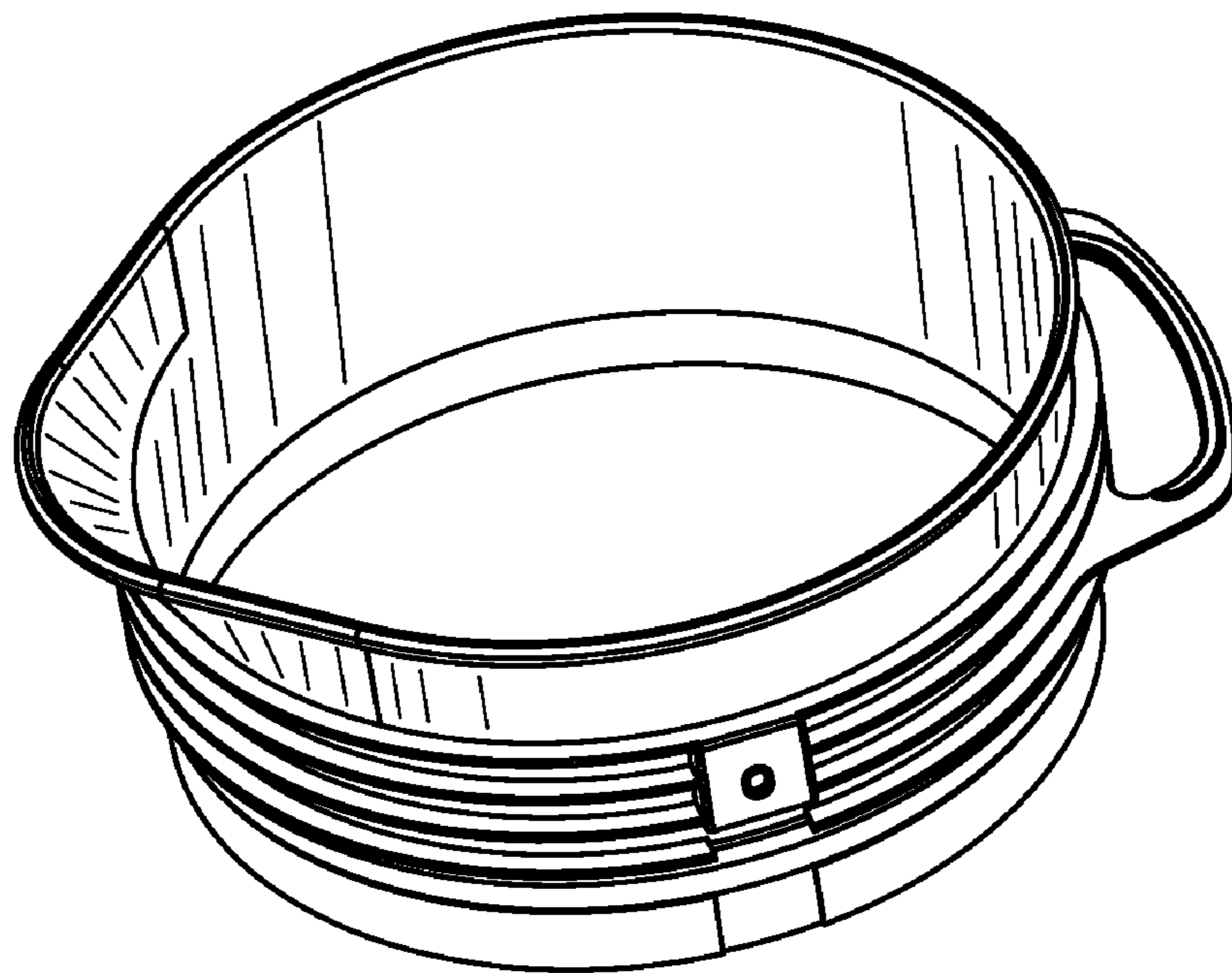


FIG.13