



US00D595911S

(12) **United States Design Patent**
Rutkowski et al.

(10) **Patent No.:** **US D595,911 S**
(45) **Date of Patent:** **** Jul. 7, 2009**

(54) **FRAME FOR A DRAIN CLEANING MACHINE**

(75) Inventors: **Michael J. Rutkowski**, Brunswick, OH (US); **Jon R. Dunkin**, Elyria, OH (US); **Larry F. Babb**, Grafton, OH (US)

(73) Assignee: **Emerson Electric Co.**, St. Louis, MO (US)

(**) Term: **14 Years**

(21) Appl. No.: **29/321,467**

(22) Filed: **Jul. 16, 2008**

Related U.S. Application Data

(62) Division of application No. 29/279,306, filed on Apr. 26, 2007, now Pat. No. Des. 579,612.

(51) **LOC (9) Cl.** **15-05**

(52) **U.S. Cl.** **D32/25**

(58) **Field of Classification Search** D32/1, D32/4, 14-18, 21, 25; 15/104.33, 320-322, 15/340.1-340.2; D23/213, 225; D34/12-27; 417/360, 364; 239/147, 149

See application file for complete search history.

(56) **References Cited**

U.S. PATENT DOCUMENTS

3,246,354	A *	4/1966	Cooney et al.	15/104.33
D287,178	S	12/1986	Babb et al.		
5,031,276	A	7/1991	Babb et al.		
5,193,242	A *	3/1993	Irwin	15/104.33
5,390,389	A *	2/1995	Rutkowski et al.	15/104.33
5,996,159	A *	12/1999	Irwin	15/104.33
6,381,798	B1	5/2002	Rutkowski et al.		
6,412,136	B1 *	7/2002	Rutkowski	15/104.33
6,546,582	B2 *	4/2003	Silverman	15/104.33
7,222,383	B2 *	5/2007	Hale	15/104.33
2008/0098544	A1 *	5/2008	Rutkowski et al.	15/104.33

OTHER PUBLICATIONS

Ridgid web page (index of drum machines): <http://www.ridgid.com/Tools/Drum-Machines/index.htm>.

* cited by examiner

Primary Examiner—T. Chase Nelson

Assistant Examiner—Kathleen M Sims

(74) *Attorney, Agent, or Firm*—Harness, Dickey & Pierce, P.L.C.

(57) **CLAIM**

The ornamental design for a frame for a drain cleaning machine, as shown and described.

DESCRIPTION

FIG. 1 is a front perspective view of a frame for a drain cleaning machine showing our new design;

FIG. 2 is a front perspective view of the frame for a drain cleaning machine of FIG. 1;

FIG. 3 is a rear perspective view of the frame for a drain cleaning machine of FIG. 1;

FIG. 4 is a front view of the frame for a drain cleaning machine of FIG. 1;

FIG. 5 is a back view of the frame for a drain cleaning machine of FIG. 1;

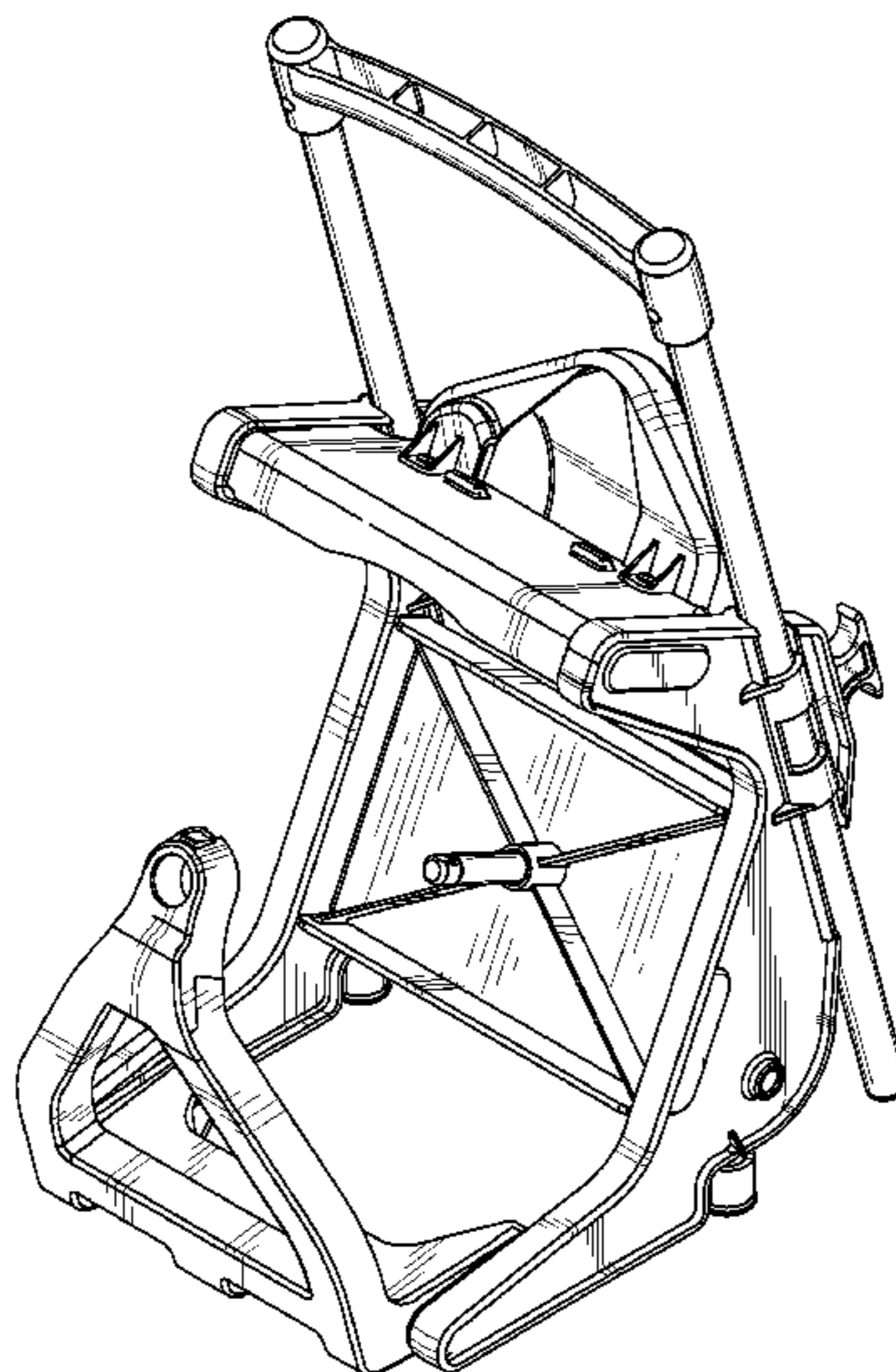
FIG. 6 is a left side view of the frame for a drain cleaning machine of FIG. 1;

FIG. 7 is a right side view of the frame for a drain cleaning machine of FIG. 1; and,

FIG. 8 is a plan view of the frame for a drain cleaning machine of FIG. 1.

The broken line showing of items shown in FIG. 1 is included for the purpose of showing environmental portions of the frame for a drain cleaning machine and forms no part of the claimed design.

1 Claim, 6 Drawing Sheets



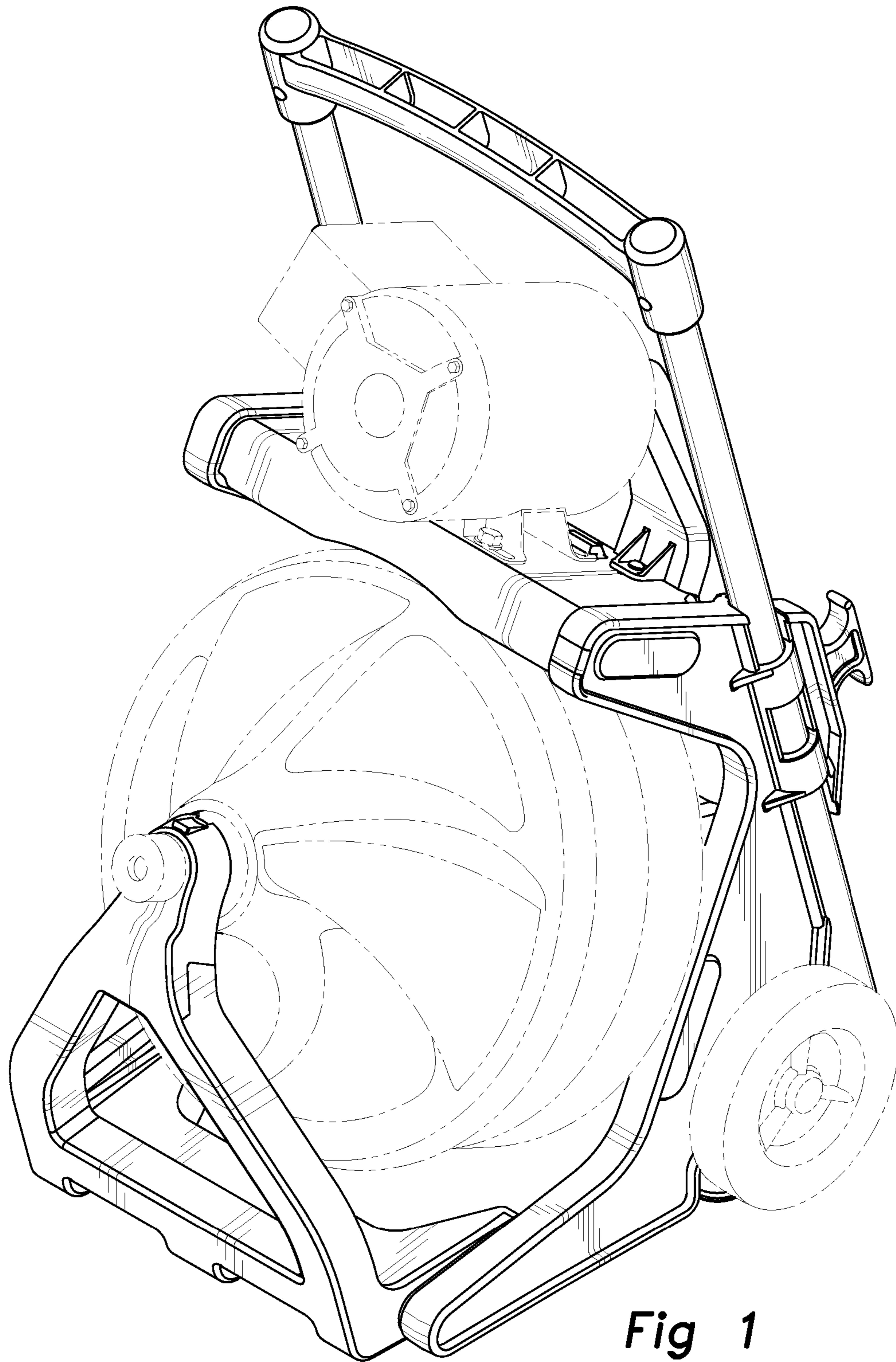


Fig 1

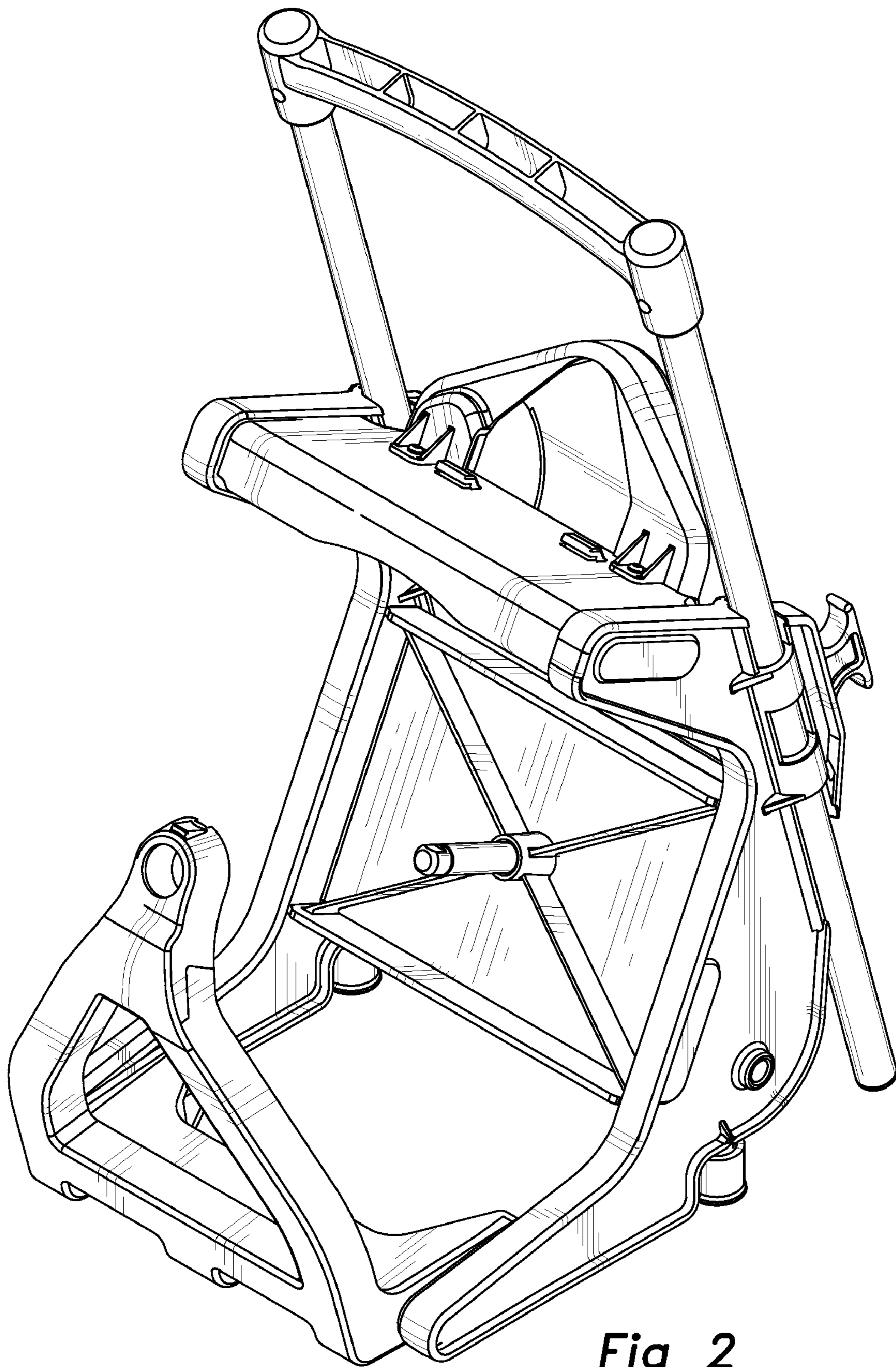


Fig 2

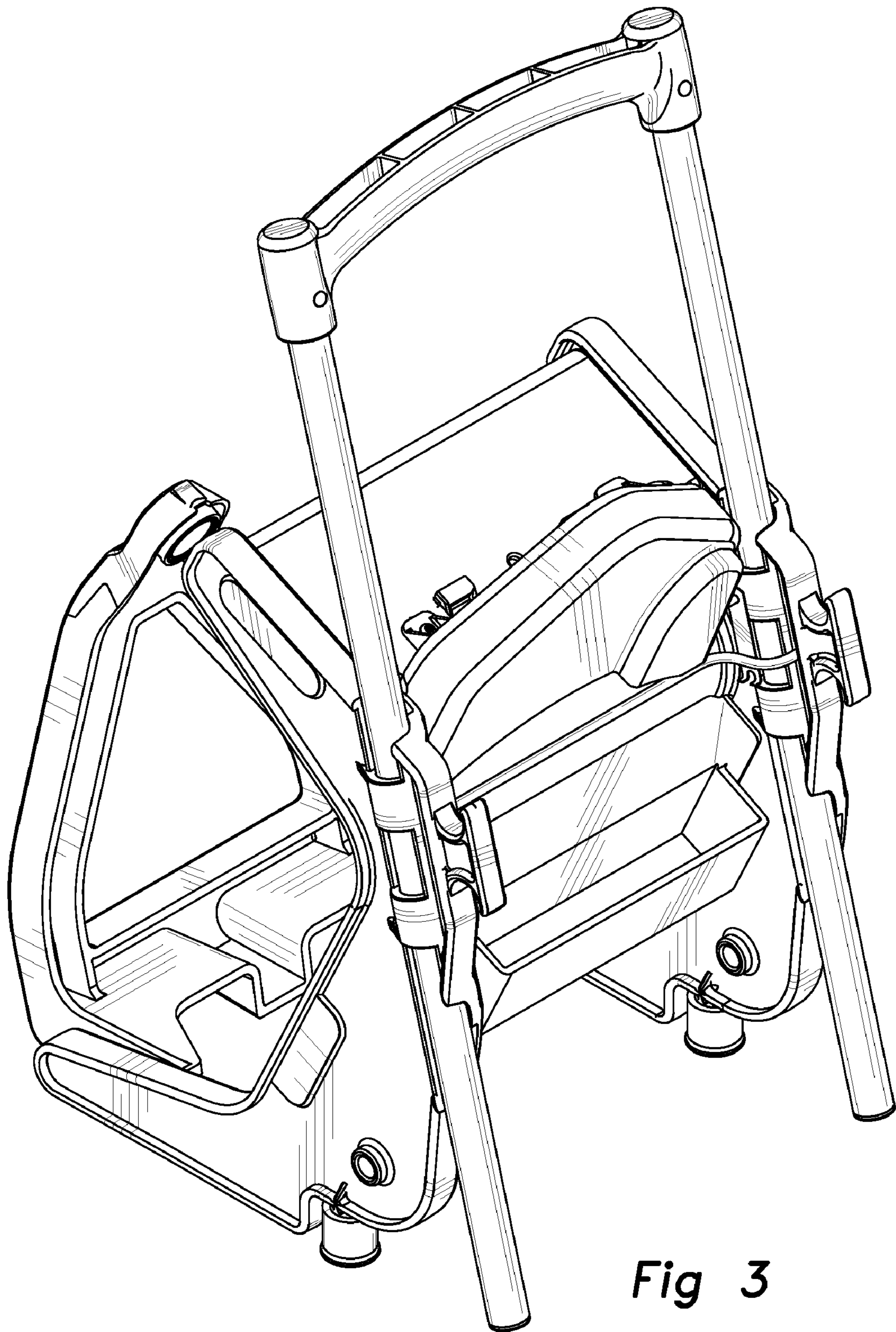


Fig 3

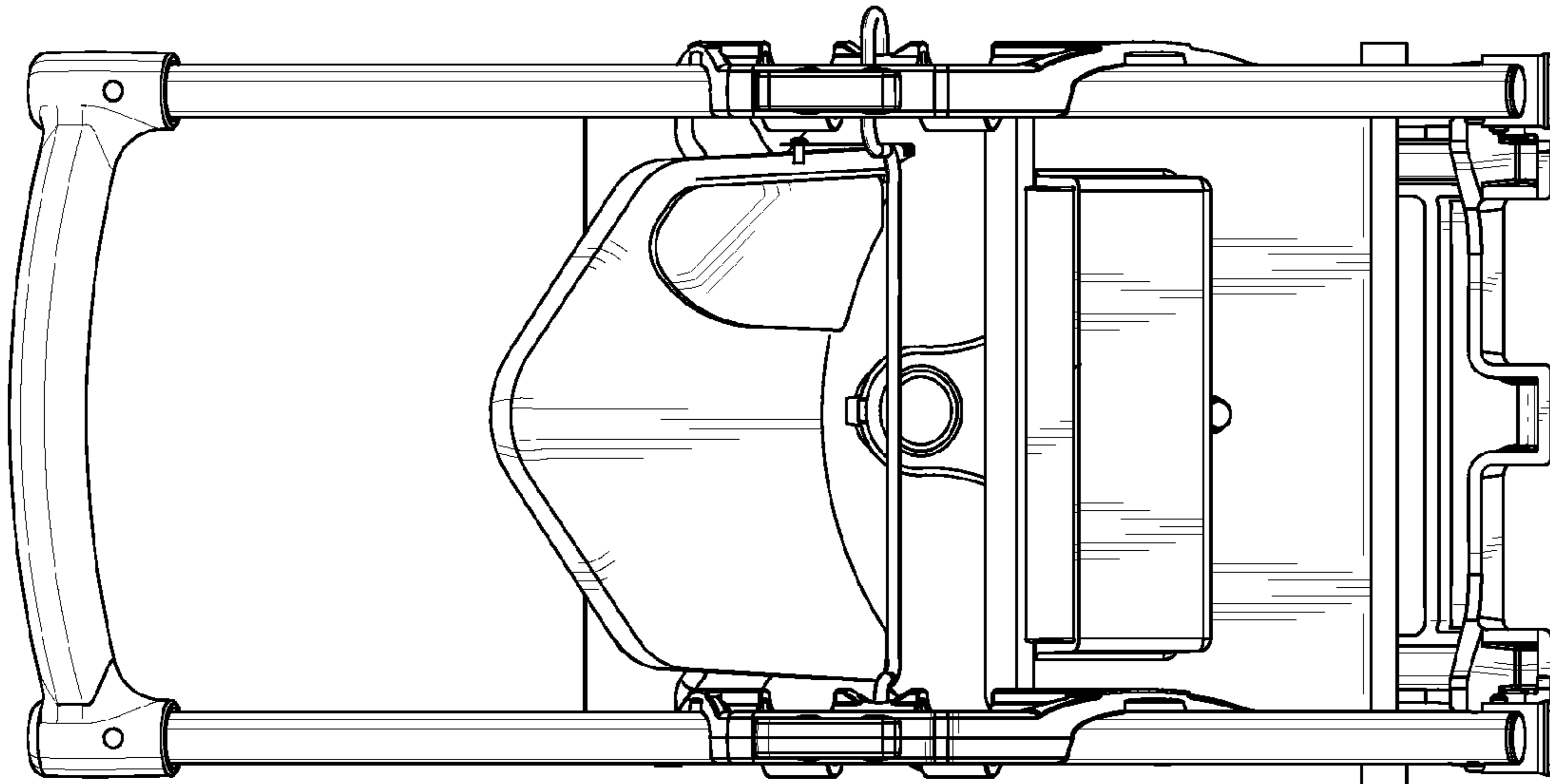


Fig 5

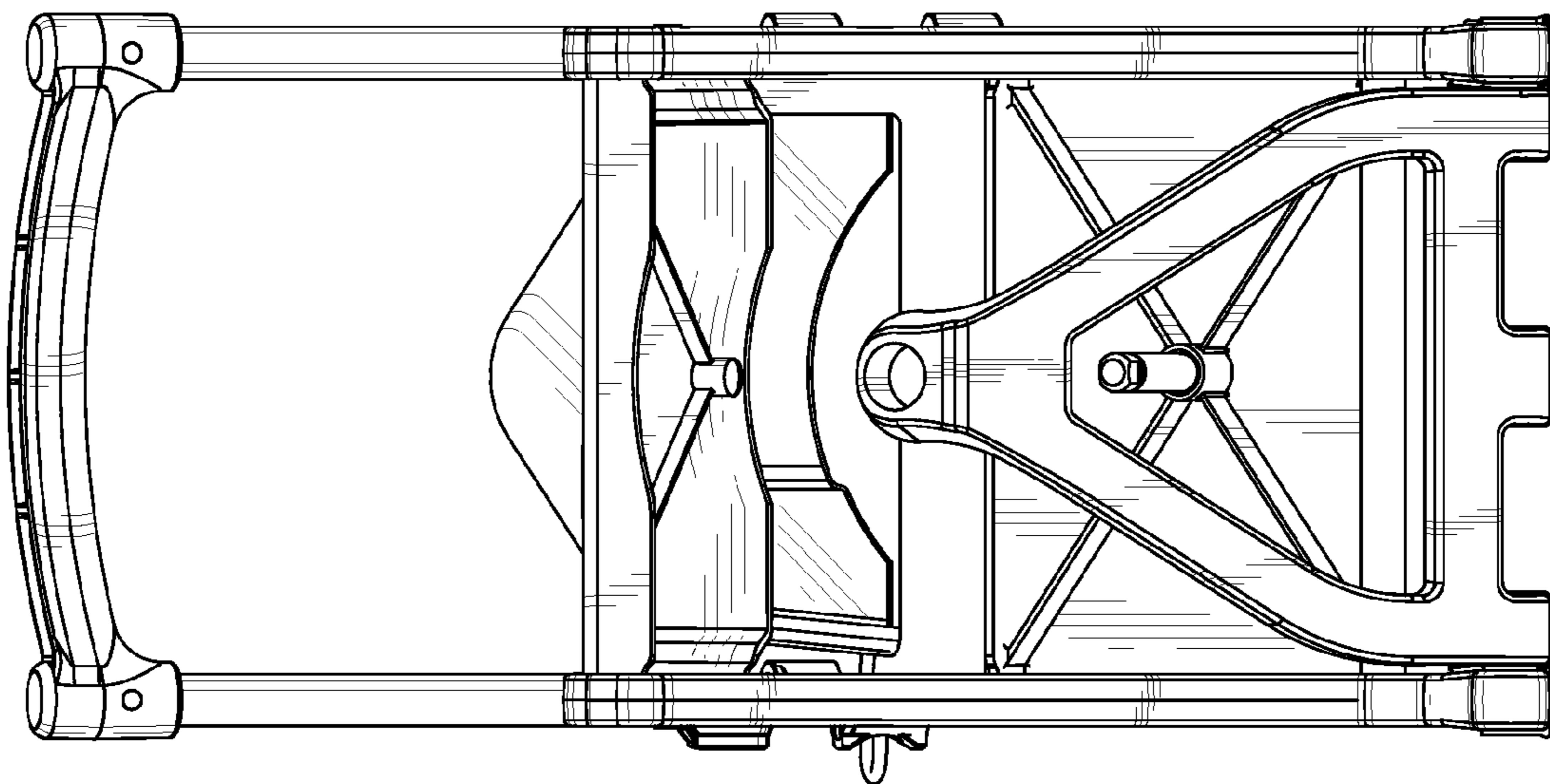


Fig 4

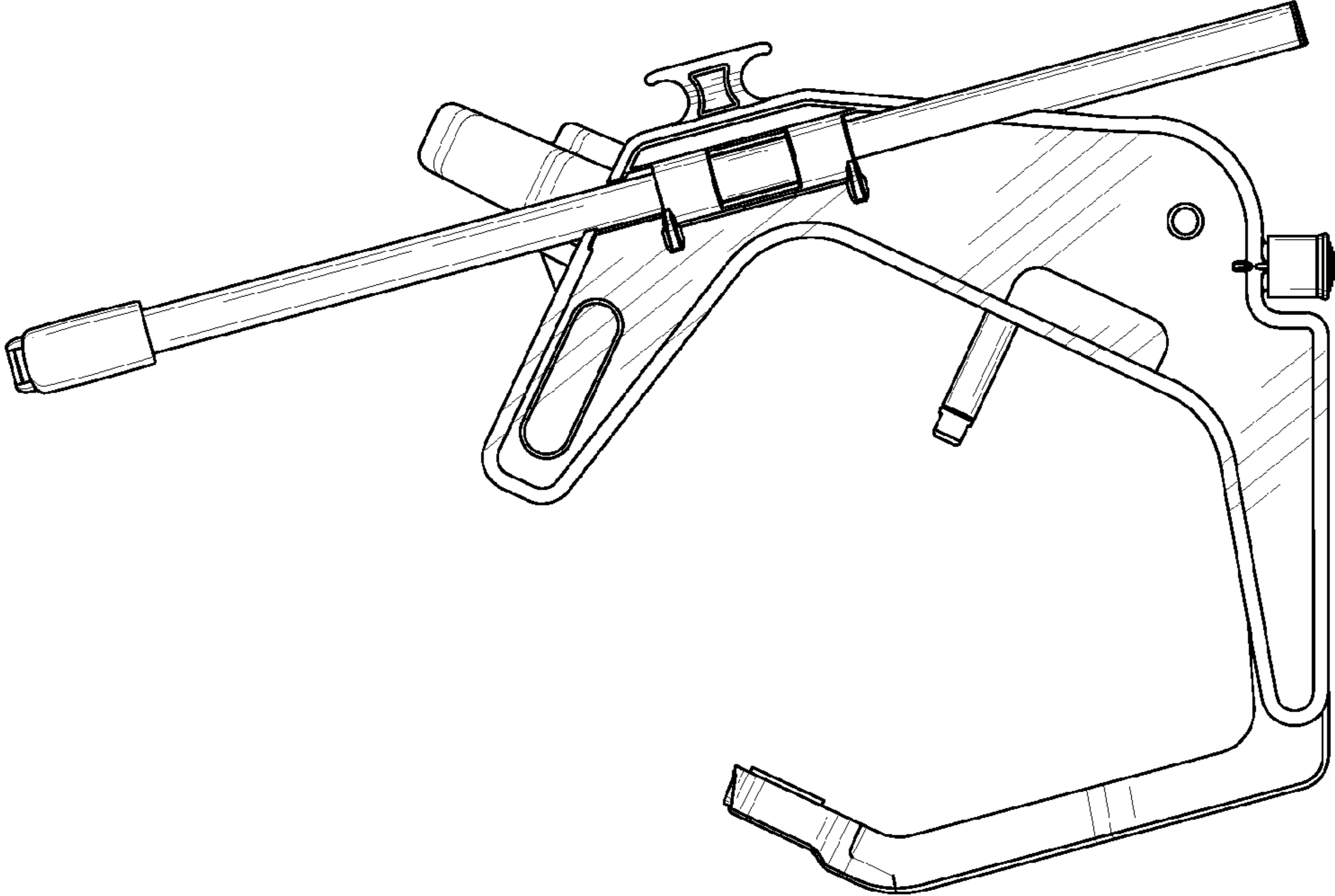


Fig 7

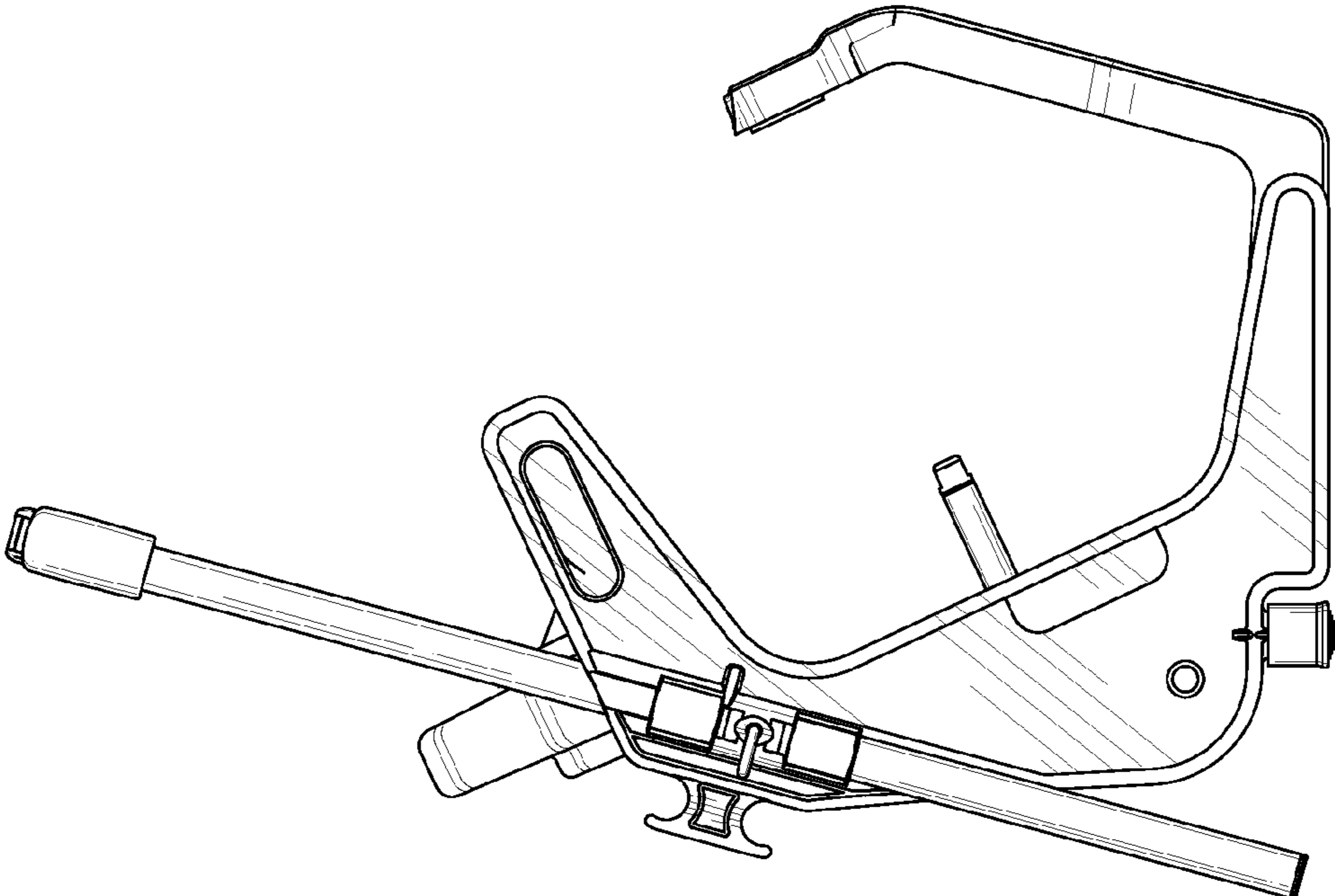


Fig 6

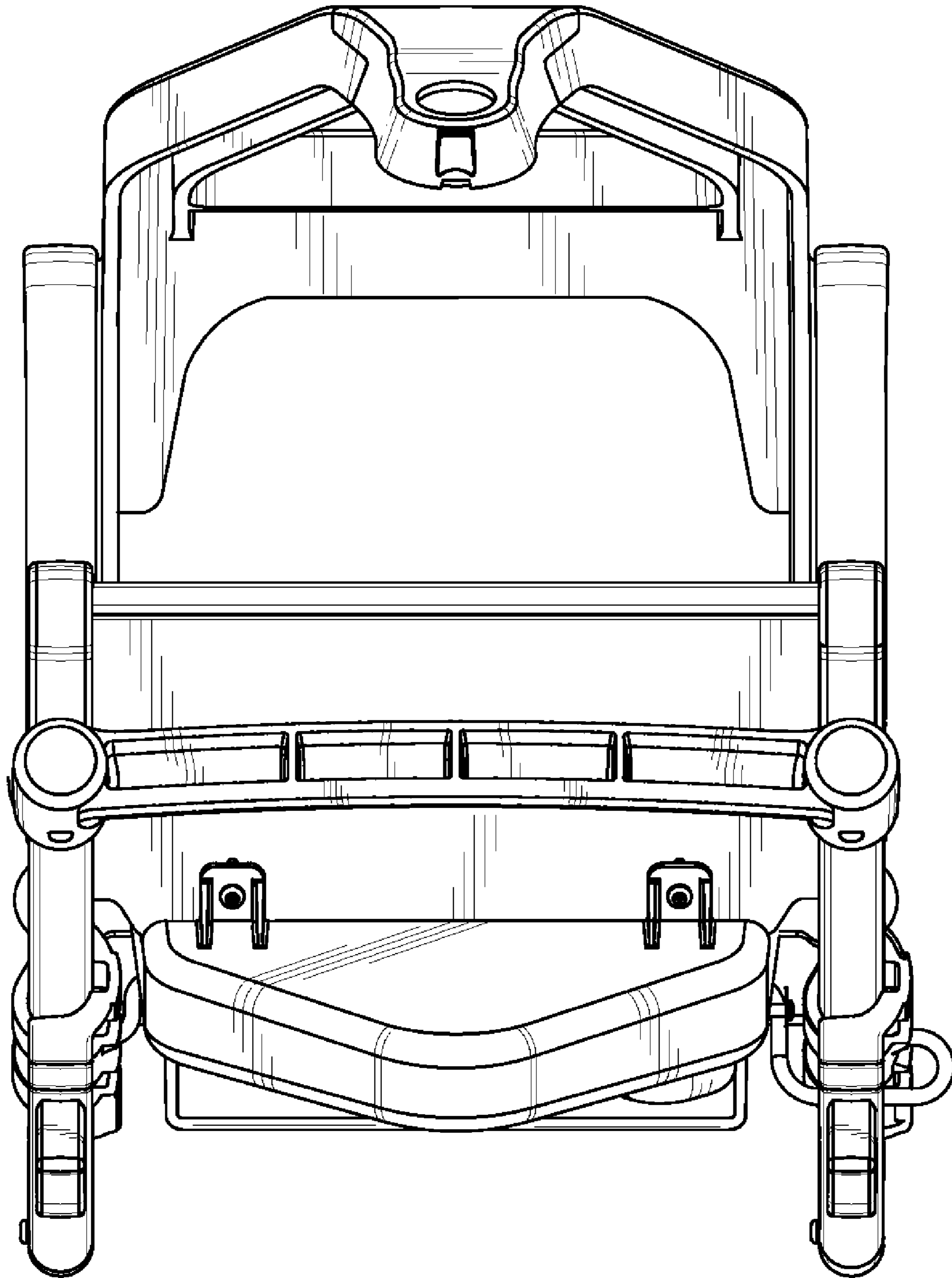


Fig 8