

US00D595909S

(12) **United States Design Patent**
Barnes et al.

(10) **Patent No.:** **US D595,909 S**
(45) **Date of Patent:** **** Jul. 7, 2009**

(54) **CLEANING DEVICE**

GB 834149 5/1960
JP 07116099 5/1995
WO 01/58333 8/2001

(75) Inventors: **Kevin Barnes**, Westminster, MD (US);
Gary W. Albrent, Arnold, MD (US);
Joseph Addicks, Baltimore, MD (US);
Dmitriy A. Kozerovskiy, Baltimore,
MD (US)

(73) Assignee: **Chemical Specialties Manufacturing Corp.**, Baltimore, MD (US)

(**) Term: **14 Years**

(21) Appl. No.: **29/324,983**

(22) Filed: **Sep. 24, 2008**

(51) **LOC (9) Cl.** **15-05**

(52) **U.S. Cl.** **D32/16**

(58) **Field of Classification Search** D32/1,
D32/14-16, 19-20, 25; 451/353; 15/49.1,
15/50.1, 52.1, 98, 320-321, 353

See application file for complete search history.

(56) **References Cited**

U.S. PATENT DOCUMENTS

1,480,662	A	1/1924	Caine	
D156,689	S *	1/1950	Atkin	D32/19
D166,572	S *	4/1952	Pond	D32/19
D178,848	S *	9/1956	Pond	D32/19
2,893,037	A	7/1959	Strong	
D205,444	S *	8/1966	Stern	D32/19
4,542,551	A *	9/1985	Phillips	15/49.1
D296,250	S *	6/1988	Genovese	D32/19
D296,251	S *	6/1988	Genovese	D32/19
4,845,798	A *	7/1989	Genovese	15/98
D307,068	S *	4/1990	Bradd	D32/19
D307,204	S *	4/1990	Bradd	D32/25
D343,932	S *	2/1994	Wulff et al.	D32/25
5,458,532	A *	10/1995	Cannone	451/353
5,522,114	A	6/1996	Allison	
2008/0216279	A1 *	9/2008	Jeff et al.	15/320

FOREIGN PATENT DOCUMENTS

FR 1074335 10/1954

OTHER PUBLICATIONS

International Search Report and Written Opinion from PCT/US08/77498, mailed Nov. 27, 2008.

* cited by examiner

Primary Examiner—T. Chase Nelson

Assistant Examiner—Kathleen M Sims

(74) *Attorney, Agent, or Firm*—Calfee, Halter & Griswold LLP

(57) **CLAIM**

We claim the ornamental design for a cleaning device, as shown and described.

DESCRIPTION

FIG. 1 is a perspective view of a cleaning device showing our new design;

FIG. 2 is a front elevational view of the cleaning device of FIG. 1;

FIG. 3 is a rear elevational view of the cleaning device of FIG. 1;

FIG. 4 is a right side elevational view of the cleaning device of FIG. 1;

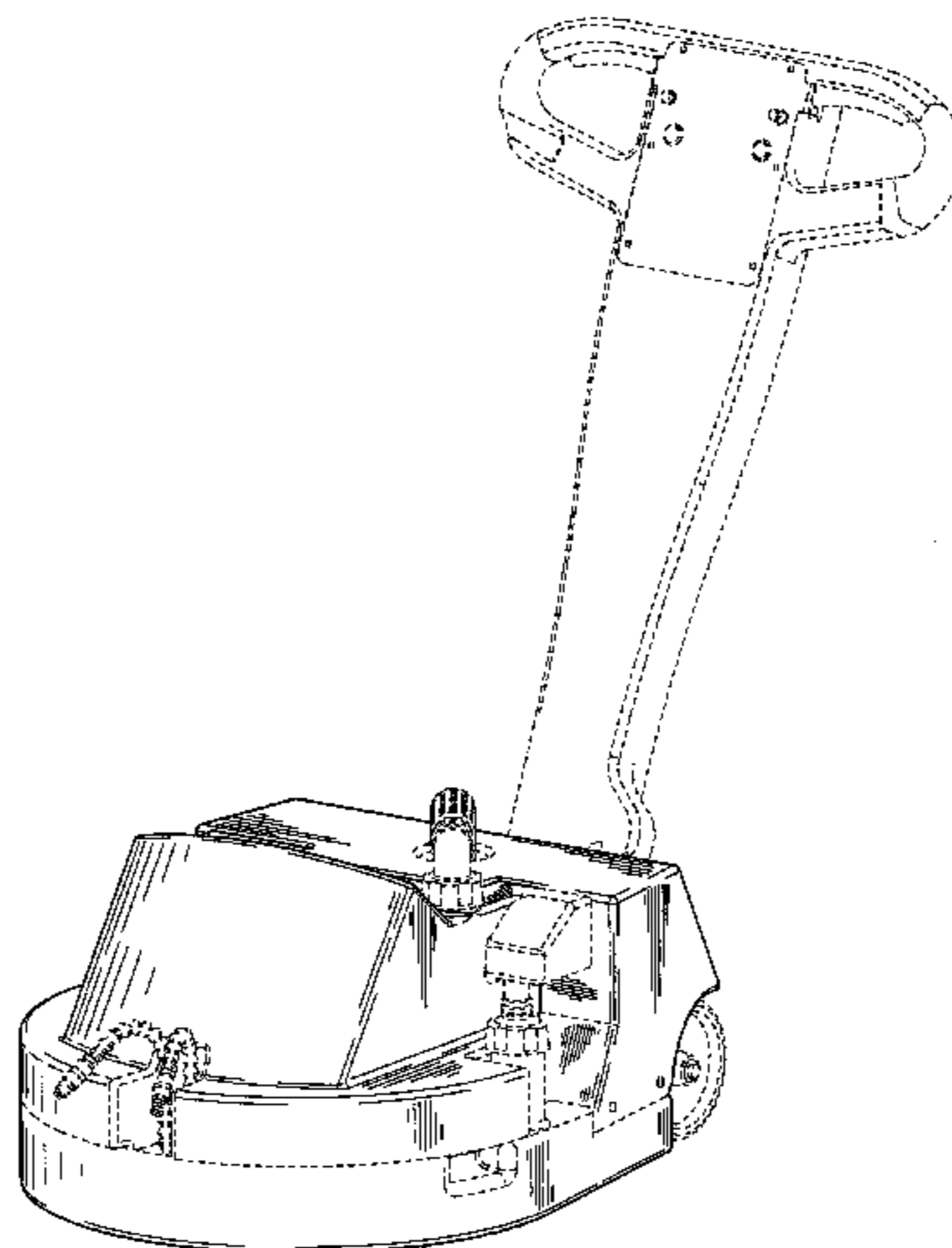
FIG. 5 is a left side elevational view of the cleaning device of FIG. 1;

FIG. 6 is a top plan view of the cleaning device of FIG. 1; and,

FIG. 7 is a bottom plan view of the cleaning device of FIG. 1.

The broken line showing of a handle and other details in FIGS. 1-7 is included for the purpose of showing environmental portions of the cleaning device and forms no part of the claimed design.

1 Claim, 7 Drawing Sheets



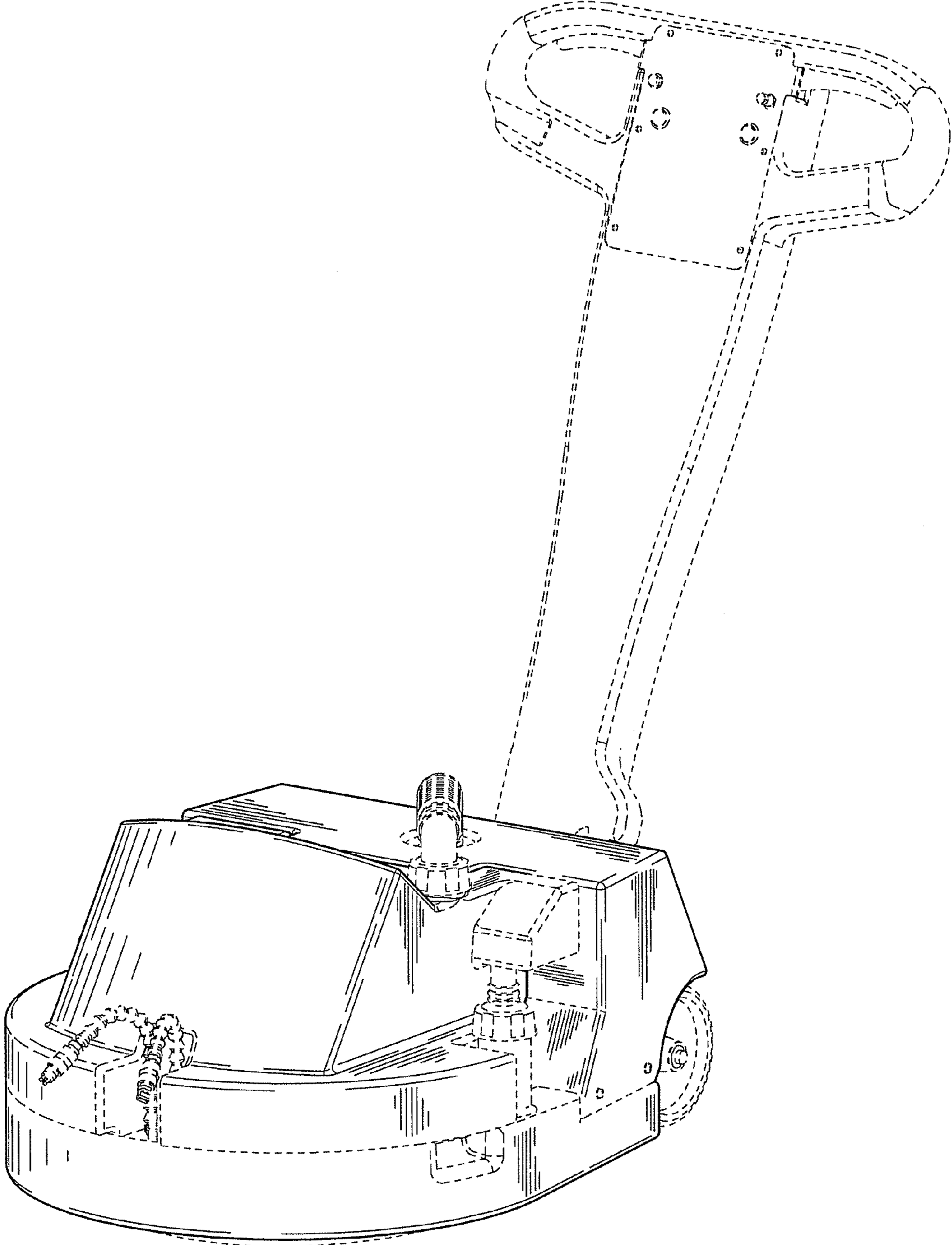


Fig. 1

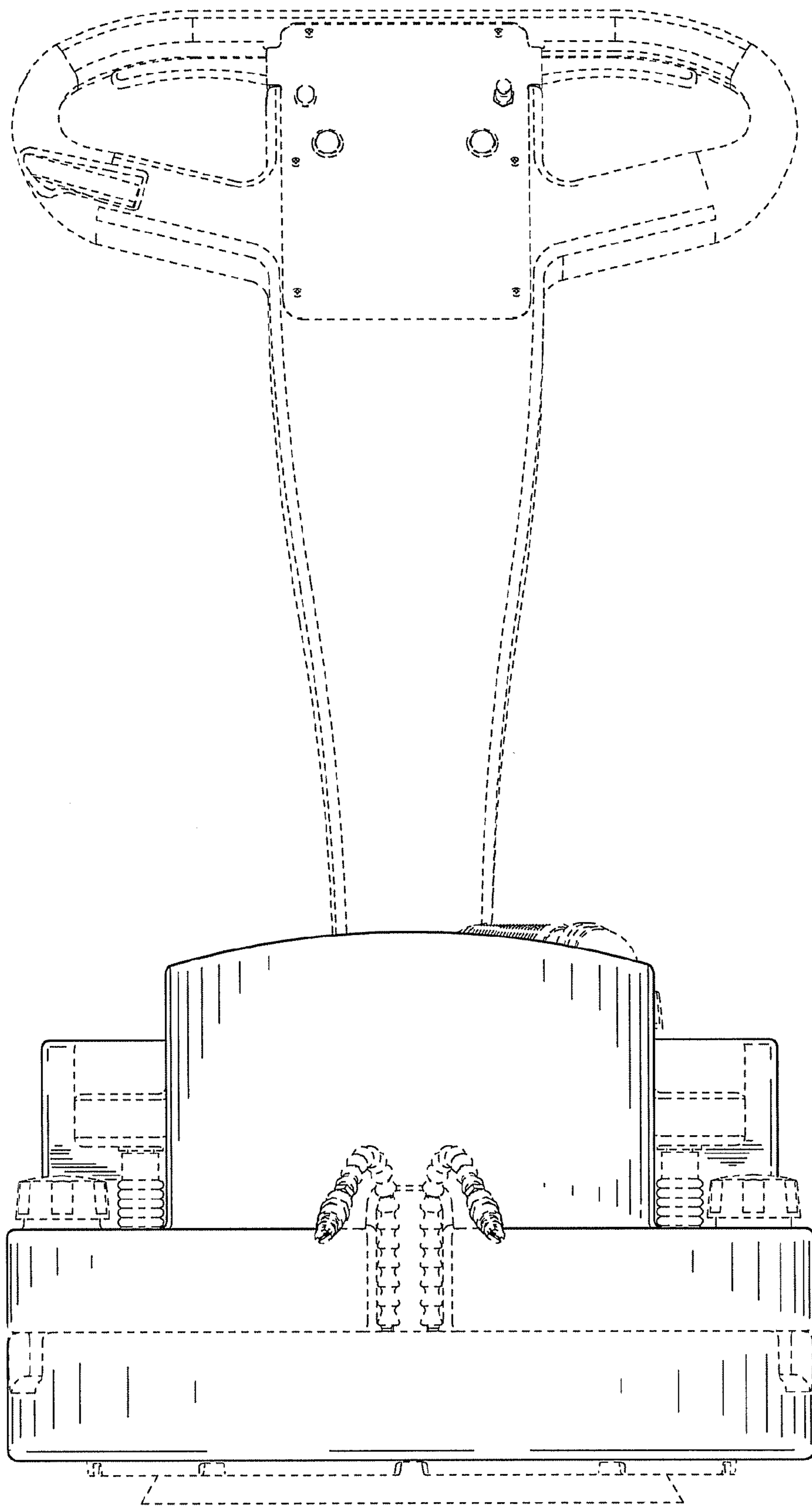


Fig. 2

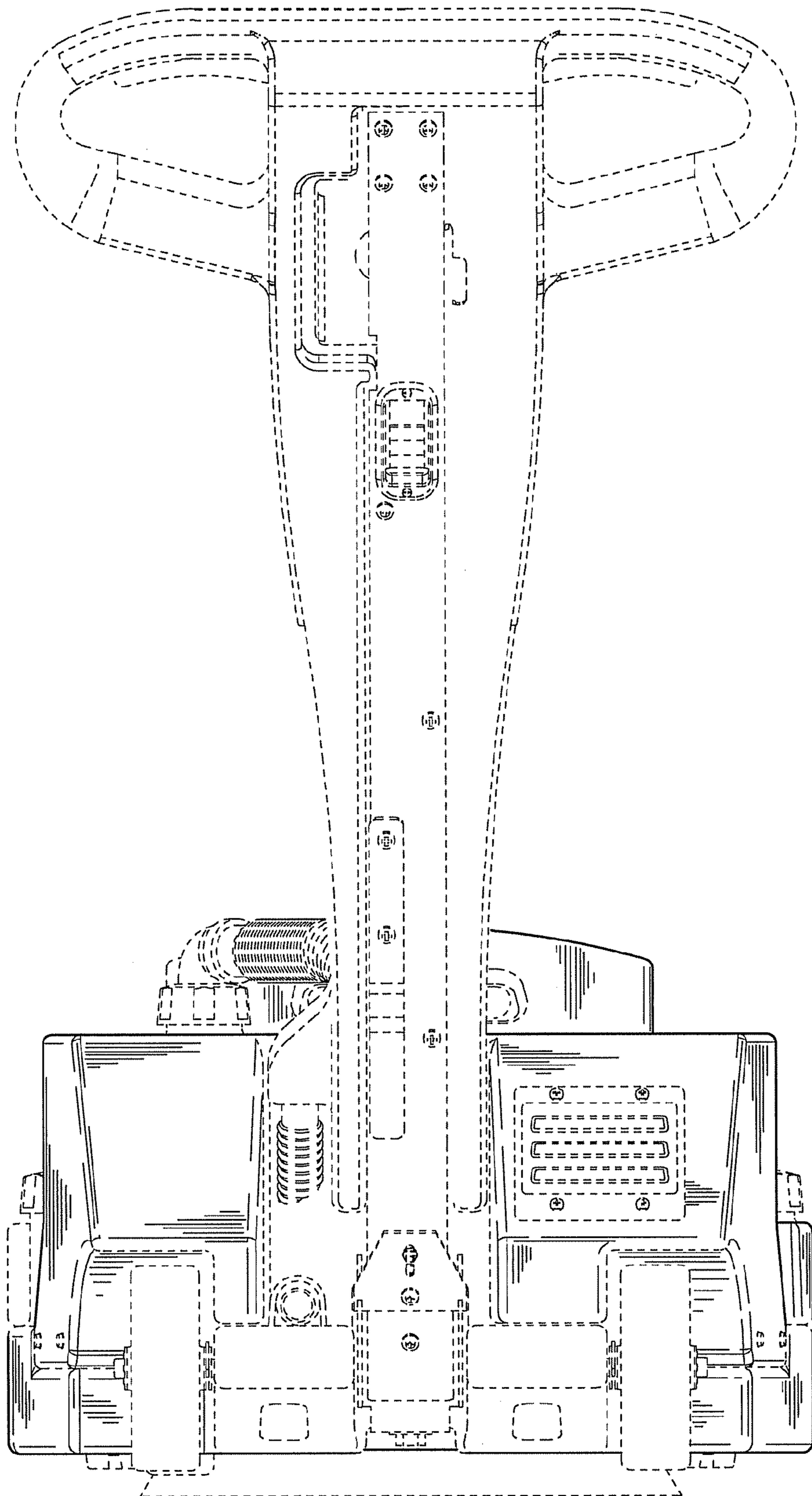


Fig. 3

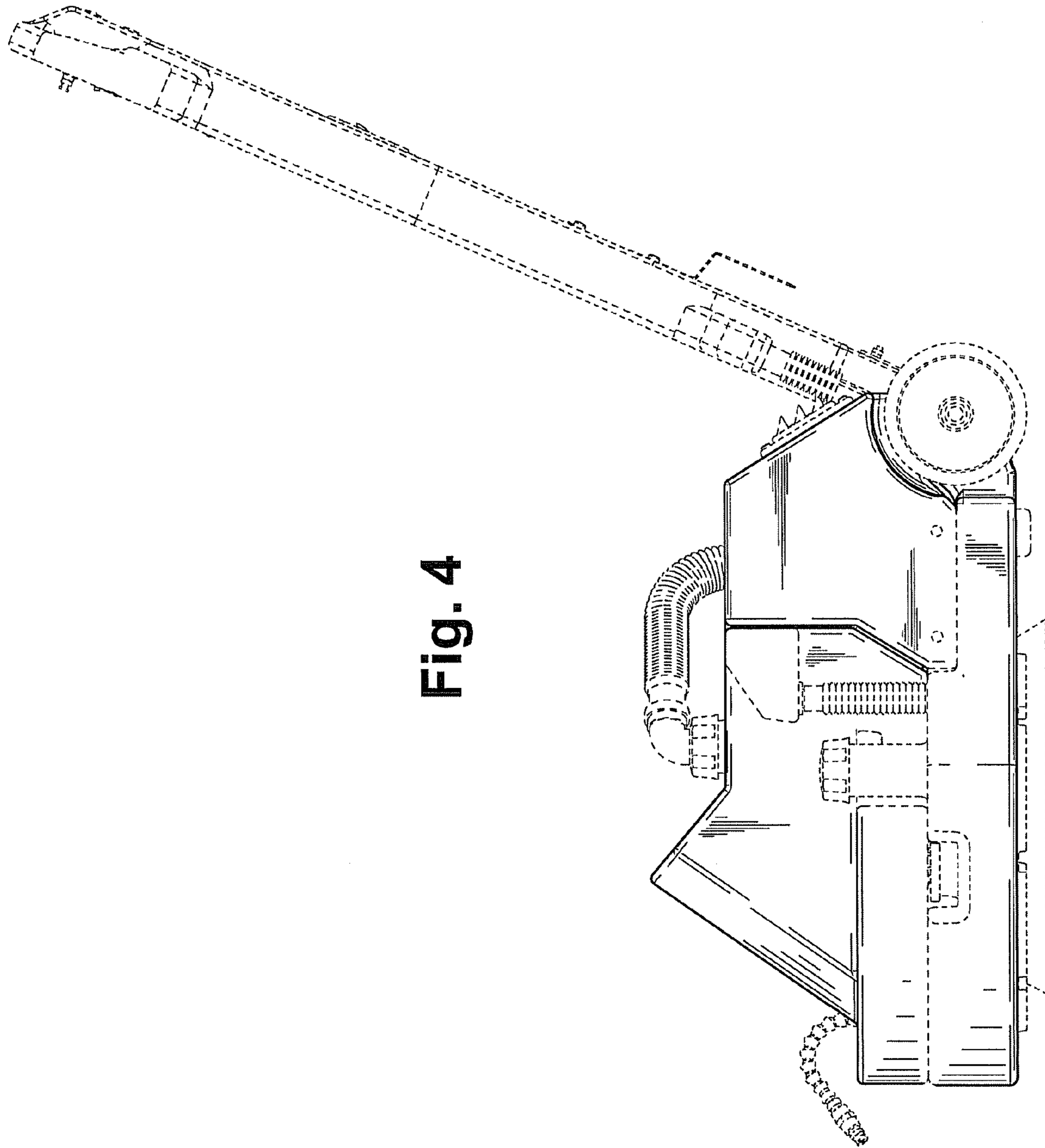
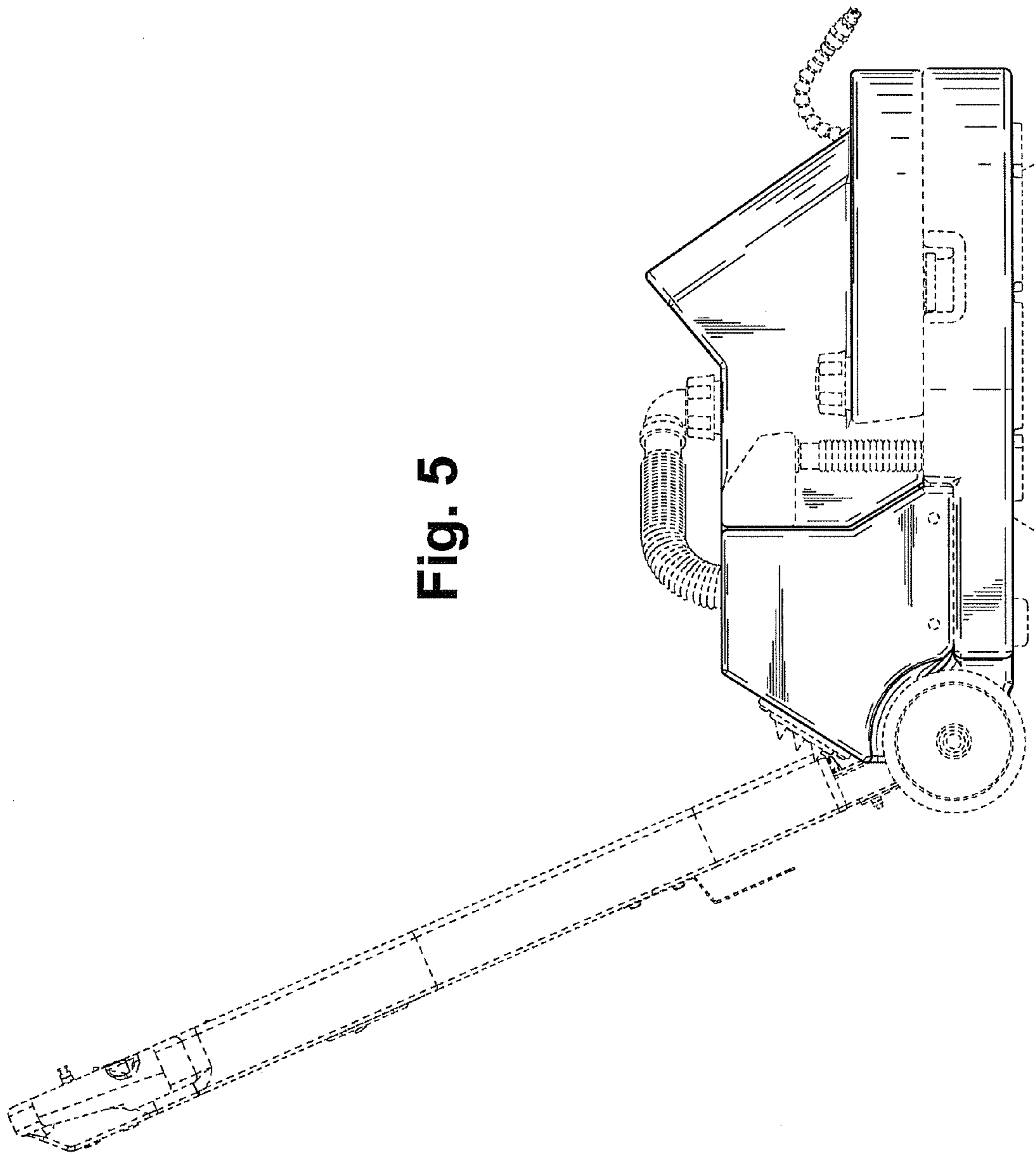


Fig. 4

Fig. 5



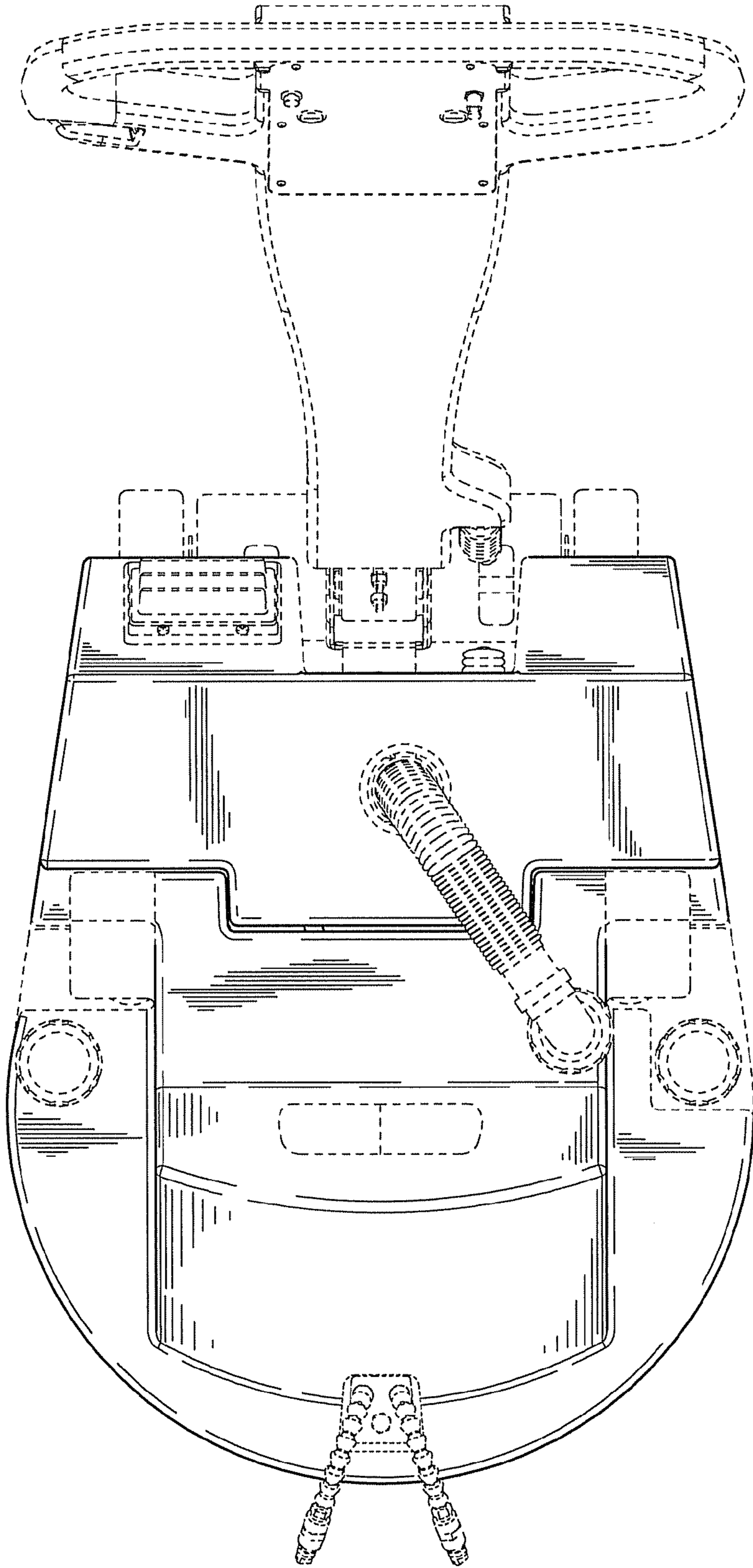


Fig. 6

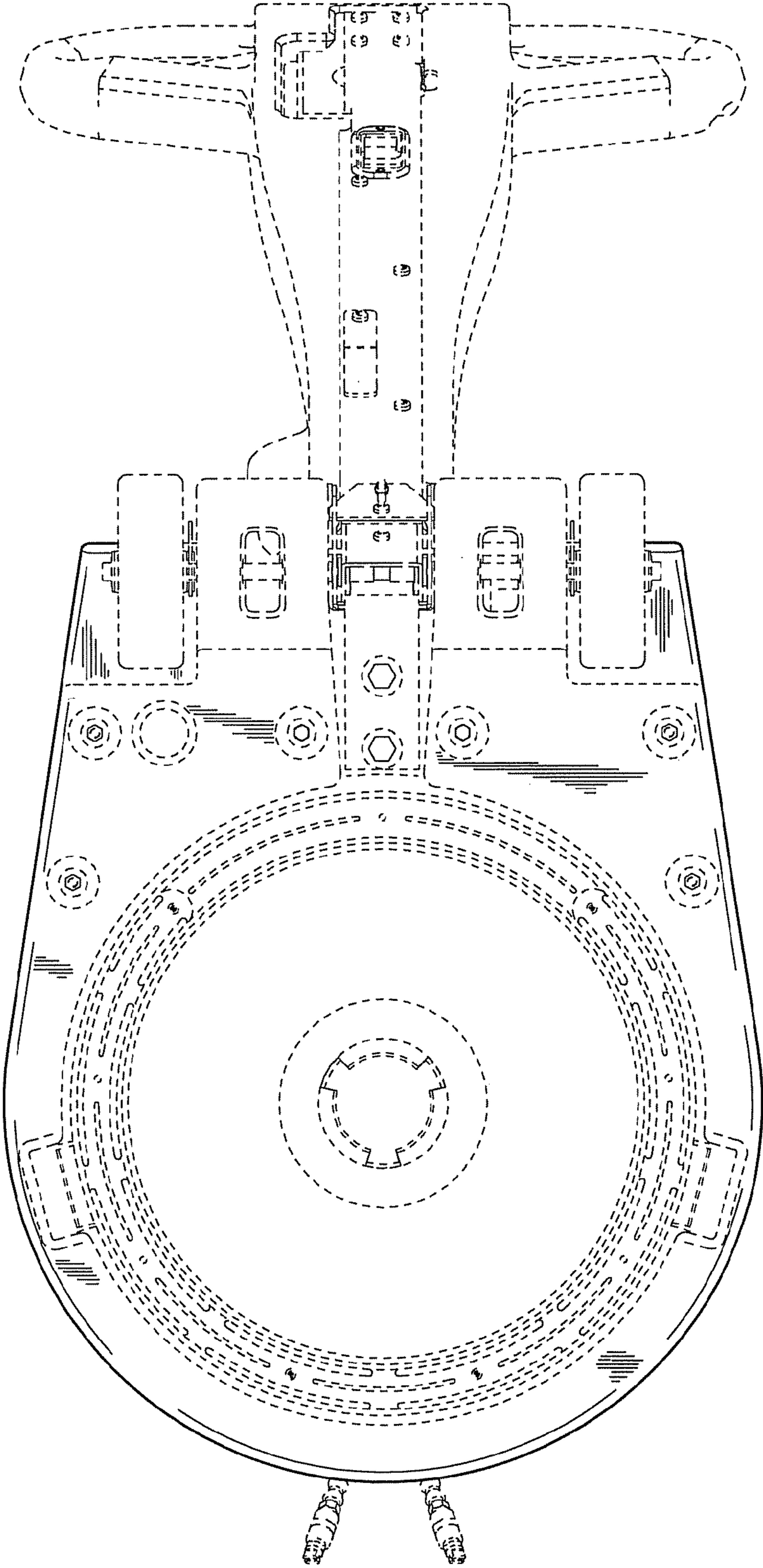


Fig. 7