



US00D595907S

(12) **United States Design Patent**  
**Rutherford et al.**

(10) **Patent No.:** **US D595,907 S**  
(45) **Date of Patent:** **\*\* Jul. 7, 2009**

(54) **BIRDCAGE ATTACHMENT**

(75) Inventors: **Ryan Rutherford**, Rutherford, NJ (US);  
**Klaus Woltmann**, Demarest, NJ (US);  
**Jonathan Willinger**, Tenafly, NJ (US)

(73) Assignee: **J.W. Pet Company, Inc.**, Teterboro, NJ  
(US)

(\*\*) Term: **14 Years**

(21) Appl. No.: **29/306,985**

(22) Filed: **Apr. 21, 2008**

**Related U.S. Application Data**

(60) Division of application No. 29/266,259, filed on Sep. 15, 2006, now Pat. No. Des. 586,957, which is a continuation-in-part of application No. 29/264,790,

(Continued)

(51) **LOC (9) Cl.** ..... **30-02**

(52) **U.S. Cl.** ..... **D30/119**

(58) **Field of Classification Search** ..... D30/121,  
D30/122, 129-133, 124, 119; 119/61.5,  
119/51.01, 61.56, 51.03, 59, 62, 63, 51.5,  
119/57.8, 74, 61.54, 61.55, 61, 464, 475,  
119/532, 52.1, 52.2, 454, 477, 53, 465, 467,  
119/705, 72, 72.5, 73, 78, 80, 61.57, 61.53,  
119/346, 533, 75; 312/204; 248/151, 188,  
248/222.14, 312.1, 313, 200, 205.1, 210,  
248/214, 311.2, 148, 188.5; 108/156, 153.1-157;  
220/23.87, 630, 737, 743, 9.4, 495.01, 574,  
220/212, 255, 23.83, 575, 482; 206/515;  
D7/586, 543, 550.1, 587, 505, 584, 545, 500,  
D7/553.1-553.8, 546, 555, 556, 504, 565,  
D7/562, 602, 507, 549, 558, 552.2, 560, 566,  
D7/548, 681, 603, 691, 503, 535; D9/429;  
43/109, 107; D22/122; 99/430, DIG. 15;  
126/30; D10/46.2; D24/123; D34/1; D11/143,  
D11/152; D6/556; D19/81

See application file for complete search history.

(56) **References Cited**

U.S. PATENT DOCUMENTS

165,698 A \* 7/1875 Alexander ..... 220/635  
804,907 A 11/1905 Whitfield  
811,870 A 2/1906 Quittner  
1,192,441 A 7/1916 Lydecker  
1,446,740 A 2/1923 Eummelen  
1,450,494 A 4/1923 Eummelen

(Continued)

FOREIGN PATENT DOCUMENTS

FR 2529751 1/1984

(Continued)

*Primary Examiner*—Susan Moon Lee

(74) *Attorney, Agent, or Firm*—Katten Muchin Rosenman  
LLP

(57) **CLAIM**

We claim the ornamental design for a birdcage attachment, as shown and described.

**DESCRIPTION**

FIG. 1 is a perspective view of a birdcage attachment;

FIG. 2 is a front view thereof;

FIG. 3 is a rear view thereof;

FIG. 4 is a left side view thereof;

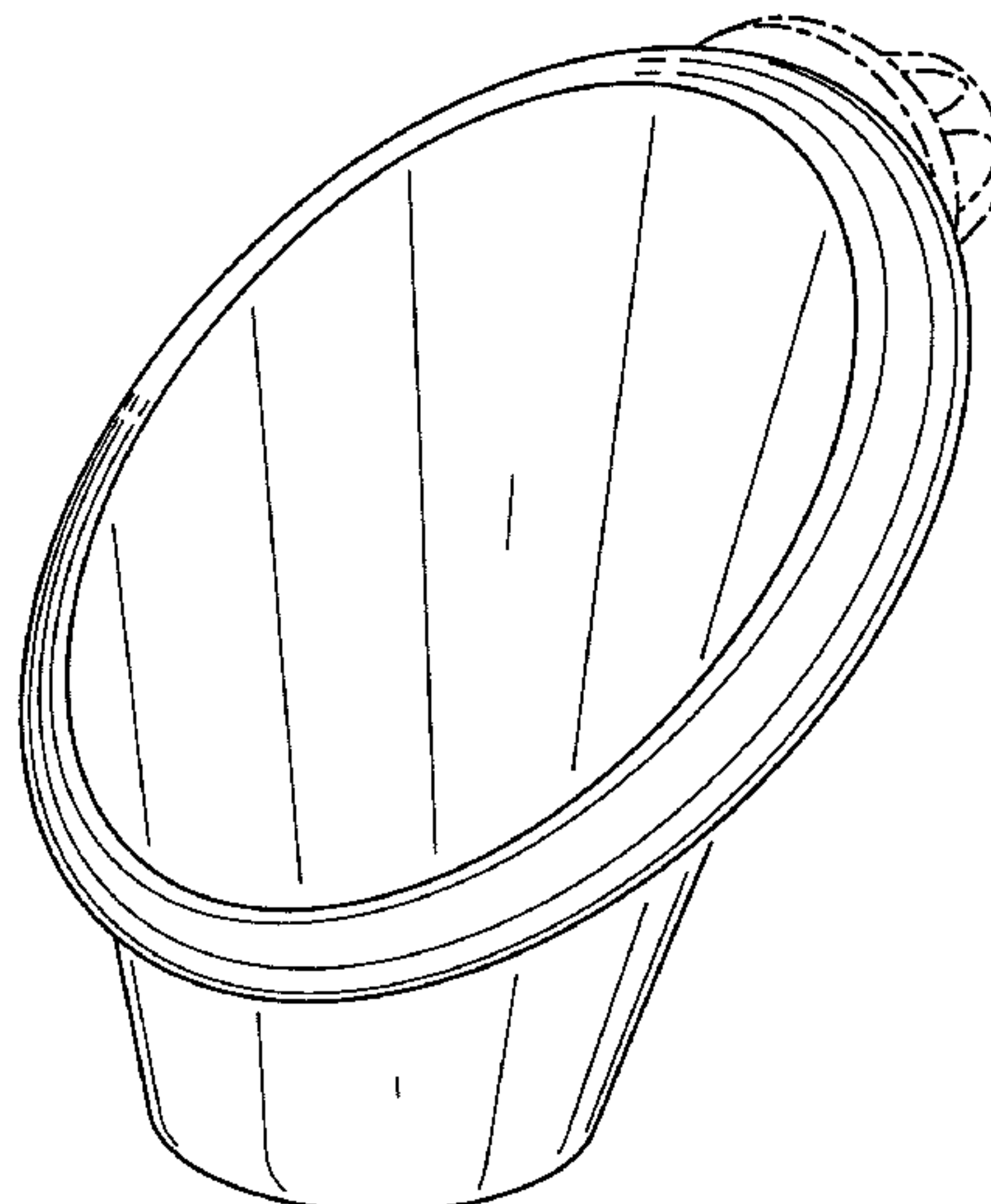
FIG. 5 is a right side view thereof;

FIG. 6 is a top view thereof; and,

FIG. 7 is a bottom view thereof.

The portions of the designs that are shown in broken lines do not form part of the claimed design.

**1 Claim, 7 Drawing Sheets**



**Related U.S. Application Data**

filed on Aug. 17, 2006, now Pat. No. Des. 554,298, which is a division of application No. 29/230,071, filed on May 16, 2005, now Pat. No. Des. 530,866, which is a division of application No. 29/180,987, filed on May 2, 2003, now Pat. No. Des. 508,589, which is a continuation-in-part of application No. 10/371,646, filed on Feb. 21, 2003, now Pat. No. 6,971,332, application No. 29/266,259, which is a continuation-in-part of application No. 29/230,071, filed on May 16, 2005, now Pat. No. Des. 530,866, which is a continuation-in-part of application No. 11/245,556, filed on Oct. 7, 2005, now abandoned, which is a continuation-in-part of application No. 29/230,071, filed on May 16, 2005, now Pat. No. Des. 530,866, and a continuation-in-part of application No. 11/182,380, filed on Jul. 15, 2003, now abandoned, which is a continuation of application No. 10/371,646, filed on Feb. 21, 2003, now Pat. No. 6,971,332.

(56)

**References Cited**

U.S. PATENT DOCUMENTS

1,530,657 A 3/1925 Eummelen  
 1,632,380 A 6/1927 Marcus  
 1,718,432 A 6/1929 Qualmann  
 1,755,706 A 4/1930 St. George  
 D89,923 S 5/1933 Robison  
 2,031,874 A 2/1936 Butler et al.  
 D101,721 S \* 10/1936 Spinelli et al. .... D7/513  
 2,066,264 A 12/1936 Fisher  
 2,174,481 A \* 9/1939 Rosenfelder ..... 119/467  
 2,174,725 A 10/1939 Hutaff, Jr.  
 D128,779 S 8/1941 Hallenscheid  
 D132,178 S \* 4/1942 Holslag ..... D34/1  
 2,296,000 A 9/1942 Ojalvo  
 D139,569 S \* 11/1944 O'Brien ..... D32/53  
 D144,905 S \* 6/1946 Cameron ..... D7/535  
 2,483,003 A 9/1949 Fischer  
 D162,959 S 4/1951 Janes et al.  
 D164,692 S 10/1951 Kelley  
 D166,334 S 4/1952 Moon  
 D167,326 S 7/1952 Verosub et al.  
 2,699,752 A 1/1955 Reyes  
 D174,580 S 4/1955 Kiehl  
 2,707,937 A 5/1955 Herman  
 2,731,949 A 1/1956 Arnold  
 D180,012 S \* 4/1957 Buechler ..... D7/505  
 D180,329 S \* 5/1957 Highberger ..... D7/587  
 2,800,105 A 7/1957 Ilg  
 2,808,807 A 10/1957 Winton et al.  
 2,828,963 A 4/1958 Steiner  
 2,837,305 A \* 6/1958 Andren ..... 248/148  
 2,943,600 A 7/1960 Rosoff  
 3,017,589 A 1/1962 Chass  
 D197,758 S 3/1964 Schrecekengost  
 3,152,735 A \* 10/1964 Caldwell ..... 222/455  
 3,181,504 A 5/1965 Stortz  
 3,185,133 A 5/1965 Bird  
 D210,567 S 3/1968 Stanziale  
 D212,111 S 8/1968 Zaretsky  
 D221,387 S 8/1971 Bacon  
 3,625,654 A \* 12/1971 Van Duyne ..... 422/102  
 3,667,714 A 6/1972 Ziaylek, Jr.  
 3,678,901 A 7/1972 Dulle  
 3,707,949 A 1/1973 Lippi  
 3,815,282 A 6/1974 Frost

D233,386 S 10/1974 Hammett  
 3,911,866 A 10/1975 Dodd  
 D247,737 S \* 4/1978 Alexander et al. .... D7/691  
 D249,110 S \* 8/1978 Newmark ..... D7/509  
 4,188,745 A 2/1980 Harvey et al.  
 D257,526 S \* 11/1980 Herbst et al. .... D7/509  
 4,450,789 A 5/1984 Nilsen et al.  
 D279,445 S \* 7/1985 Jagger ..... D7/558  
 4,542,714 A 9/1985 Ingraham et al.  
 4,574,738 A 3/1986 Tominaga  
 D285,515 S \* 9/1986 Papciak ..... D7/509  
 D286,249 S \* 10/1986 Carlson ..... D7/587  
 4,634,089 A 1/1987 Wright et al.  
 4,655,723 A 4/1987 Marason et al.  
 4,709,658 A \* 12/1987 Hostetler ..... 119/477  
 4,732,112 A 3/1988 Fenner et al.  
 4,762,086 A 8/1988 Atchley  
 5,018,480 A 5/1991 Goldman et al.  
 5,022,345 A 6/1991 Bolivar et al.  
 5,064,090 A \* 11/1991 Farrier ..... 220/482  
 D333,071 S 2/1993 Lim  
 D342,784 S \* 12/1993 Passiak et al. .... D24/123  
 D347,957 S 6/1994 Kea  
 5,351,645 A 10/1994 Brennon  
 D353,693 S 12/1994 Lawson  
 D355,732 S 2/1995 Huff  
 5,397,033 A 3/1995 Blomquist  
 D358,967 S 6/1995 Knighton  
 5,467,733 A \* 11/1995 Messina ..... 119/464  
 D371,226 S 6/1996 Lee  
 D371,227 S 6/1996 Lee  
 D371,926 S \* 7/1996 Powell ..... D6/556  
 D371,939 S \* 7/1996 Rigney ..... D7/543  
 D373,932 S \* 9/1996 Onneweer ..... D7/543  
 5,612,500 A 3/1997 Liang  
 5,626,256 A \* 5/1997 Onneweer ..... 220/574  
 D383,252 S \* 9/1997 Pearce ..... D30/119  
 D383,877 S \* 9/1997 Doornbos ..... D30/119  
 5,699,752 A 12/1997 Wilkins  
 5,738,042 A \* 4/1998 King ..... 119/464  
 5,832,872 A \* 11/1998 Pearce ..... 119/477  
 D407,952 S 4/1999 Kendrick  
 5,893,338 A 4/1999 Campbell et al.  
 5,949,456 A 9/1999 Matsumoto et al.  
 D430,326 S 8/2000 Littman  
 D432,280 S \* 10/2000 Quinlan et al. .... D30/129  
 6,189,489 B1 2/2001 Pearce  
 D441,257 S \* 5/2001 Indekeu ..... D7/558  
 6,308,657 B1 10/2001 Schumacher et al.  
 D453,094 S \* 1/2002 Maggard et al. .... D7/584  
 6,374,772 B1 4/2002 Brandt  
 D463,756 S \* 10/2002 Veal ..... D11/152  
 6,457,439 B1 10/2002 Engelking  
 D471,406 S \* 3/2003 Wellner ..... D7/584  
 6,561,129 B1 5/2003 Cheng  
 D486,682 S 2/2004 Zins et al.  
 6,736,088 B1 5/2004 McGregor et al.  
 6,783,021 B2 \* 8/2004 Kaura ..... 220/482  
 D506,644 S \* 6/2005 Poupel et al. .... D7/603  
 D539,611 S \* 4/2007 Wasserman et al. .... D7/586  
 7,201,115 B2 \* 4/2007 Willinger et al. .... 119/464  
 D548,014 S \* 8/2007 Kell ..... D7/584  
 D566,363 S \* 4/2008 Lown et al. .... D34/1  
 2004/0108337 A1 6/2004 Makino et al.  
 2005/0028749 A1 2/2005 Willinger et al.

FOREIGN PATENT DOCUMENTS

FR 2561867 10/1985

\* cited by examiner



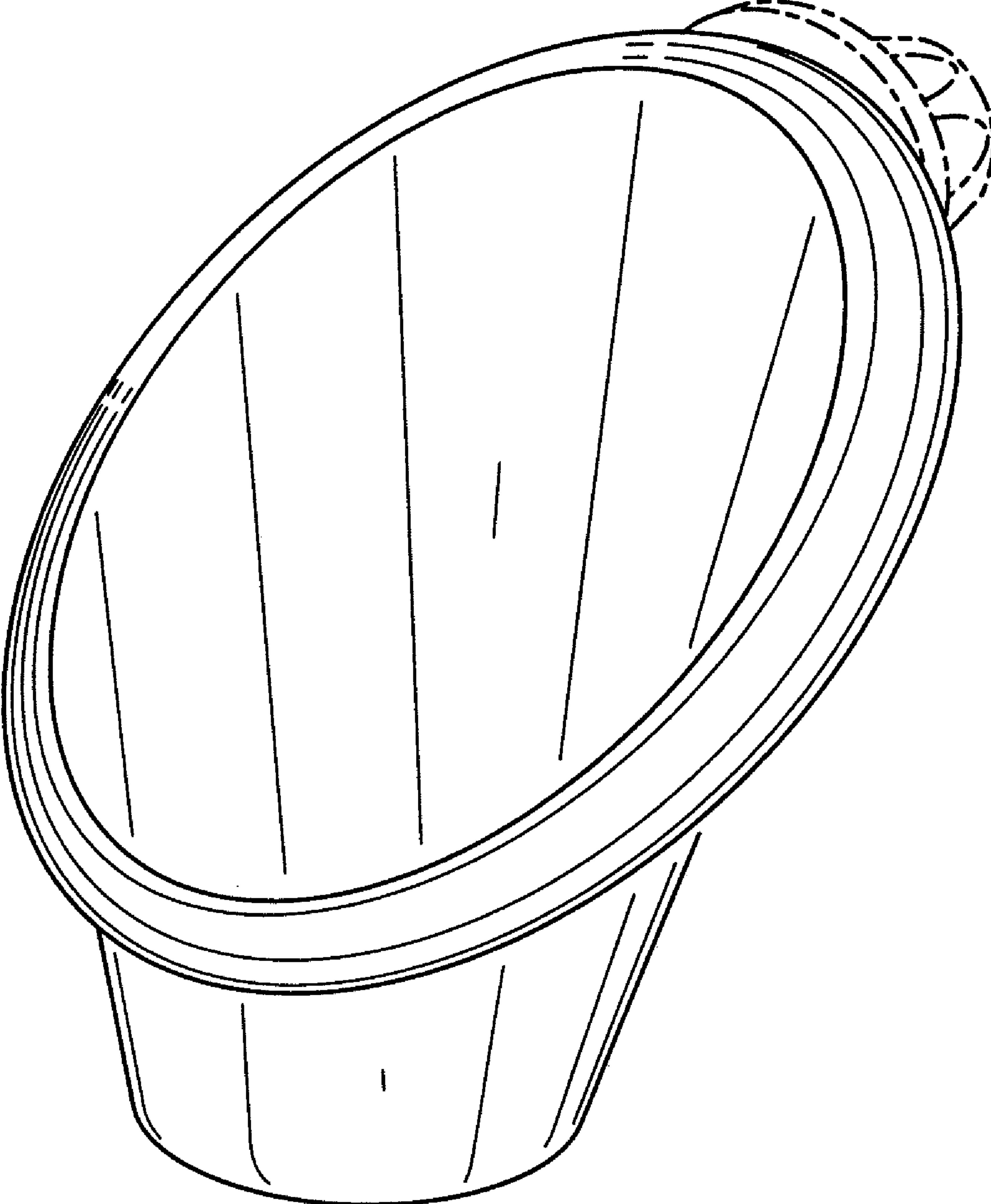


FIG. 1

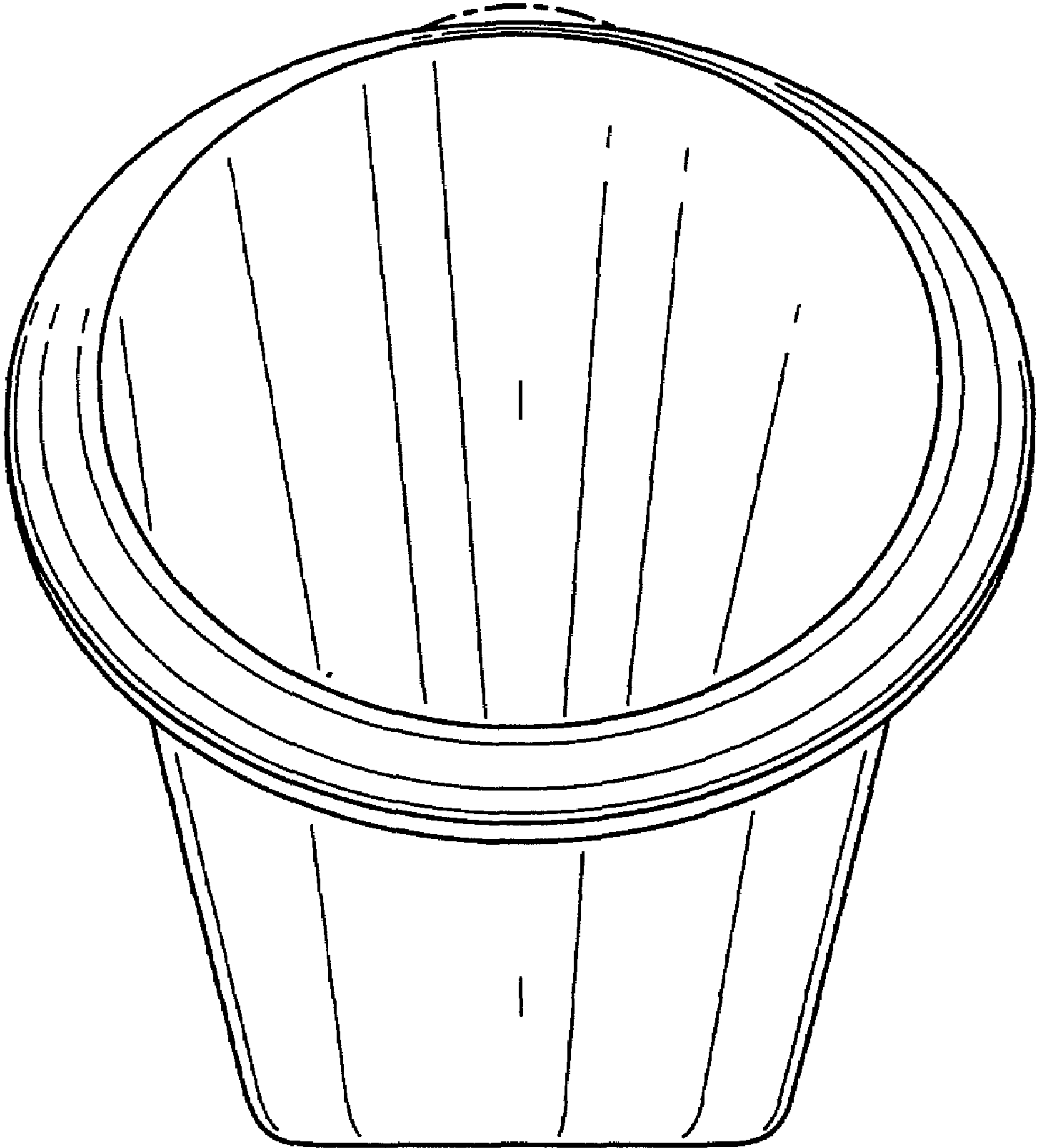


FIG. 2

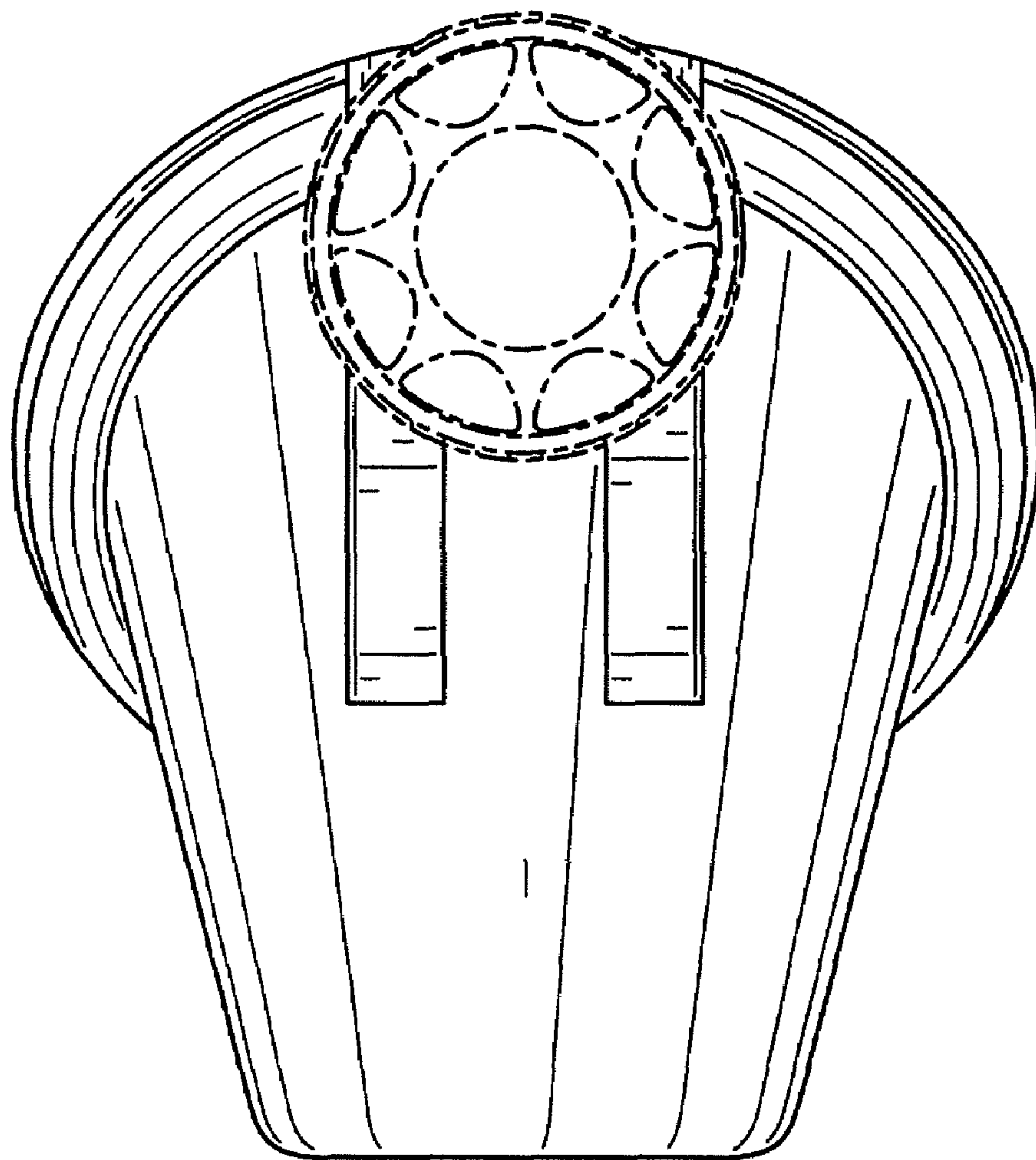


FIG. 3

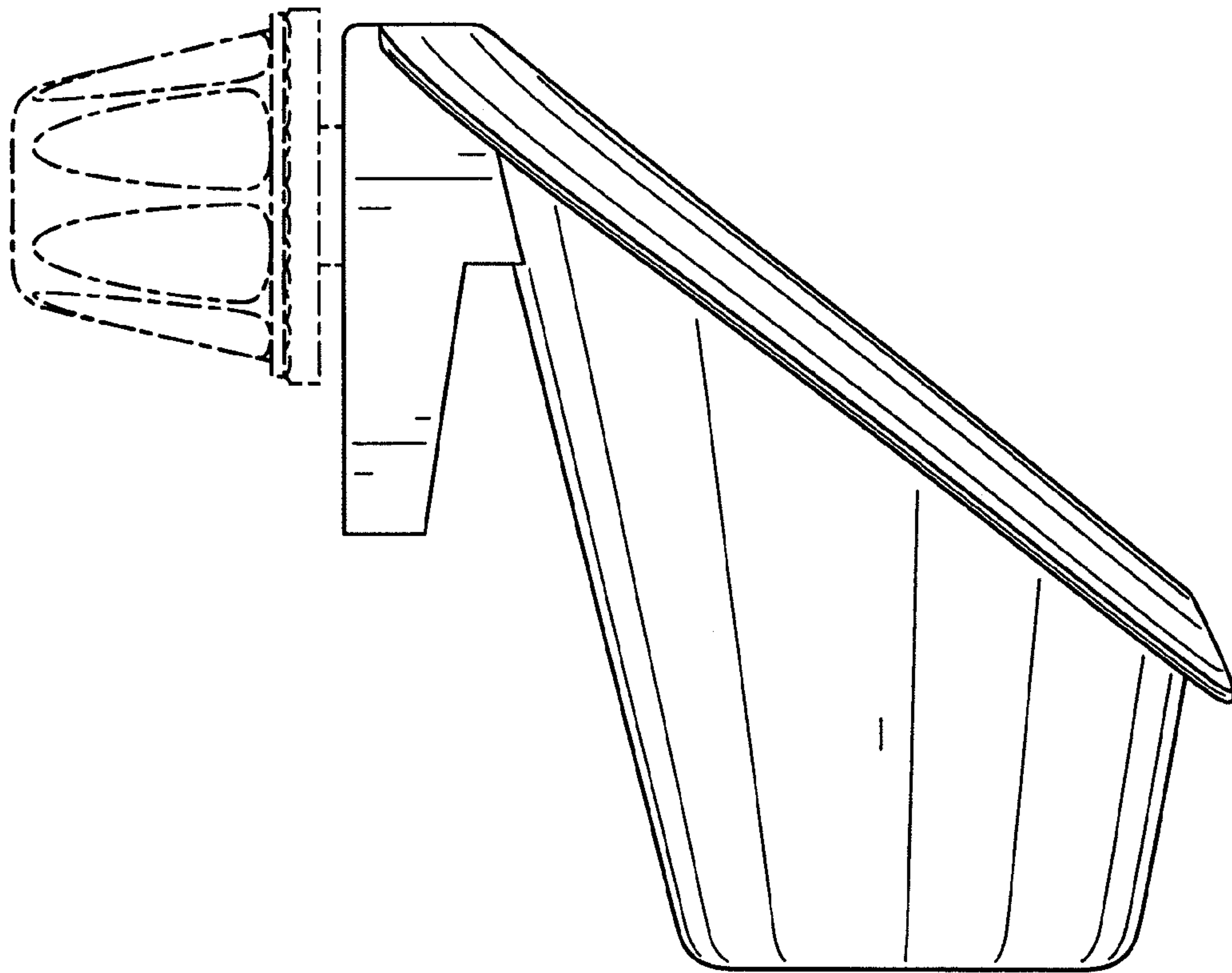


FIG. 4

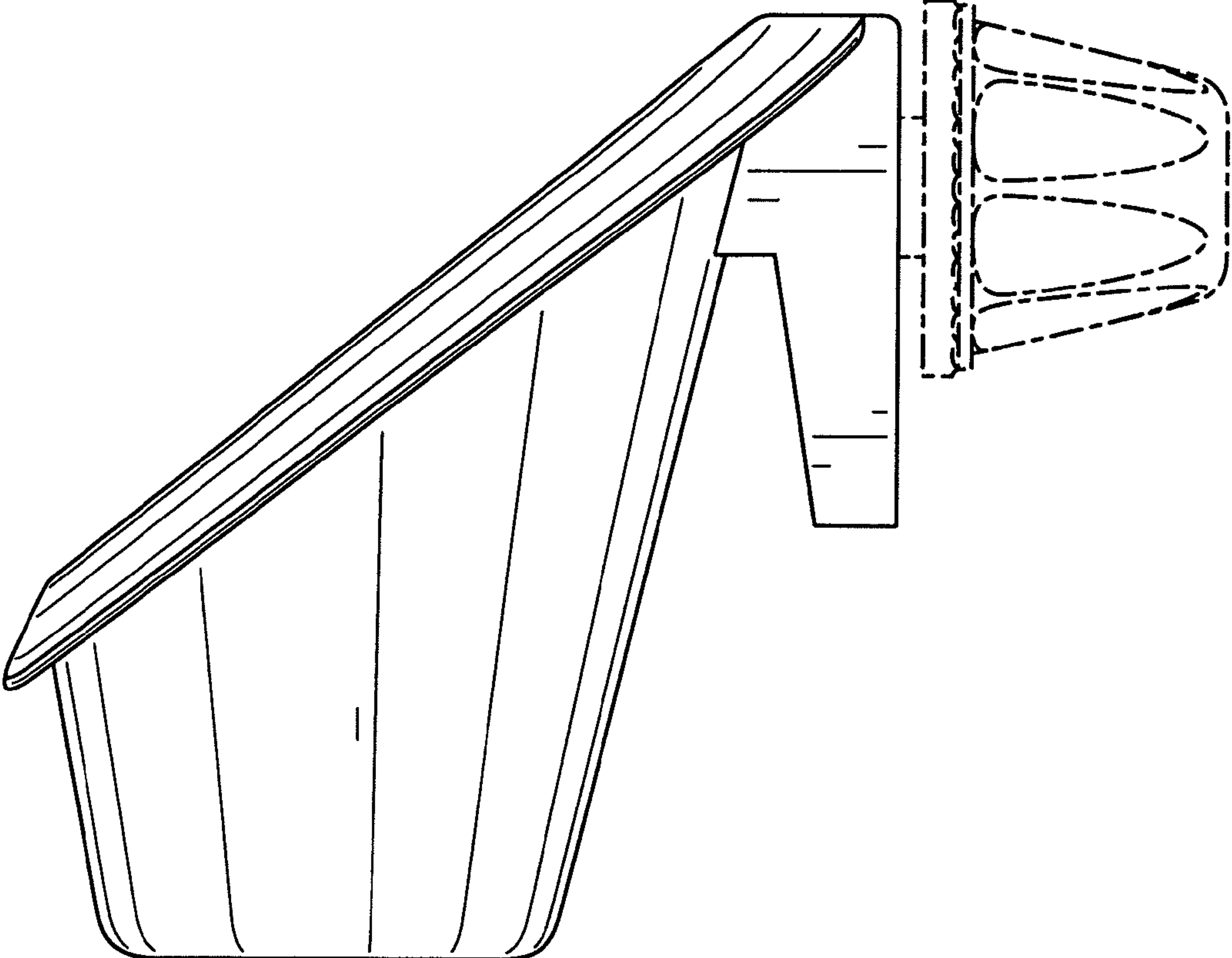


FIG. 5

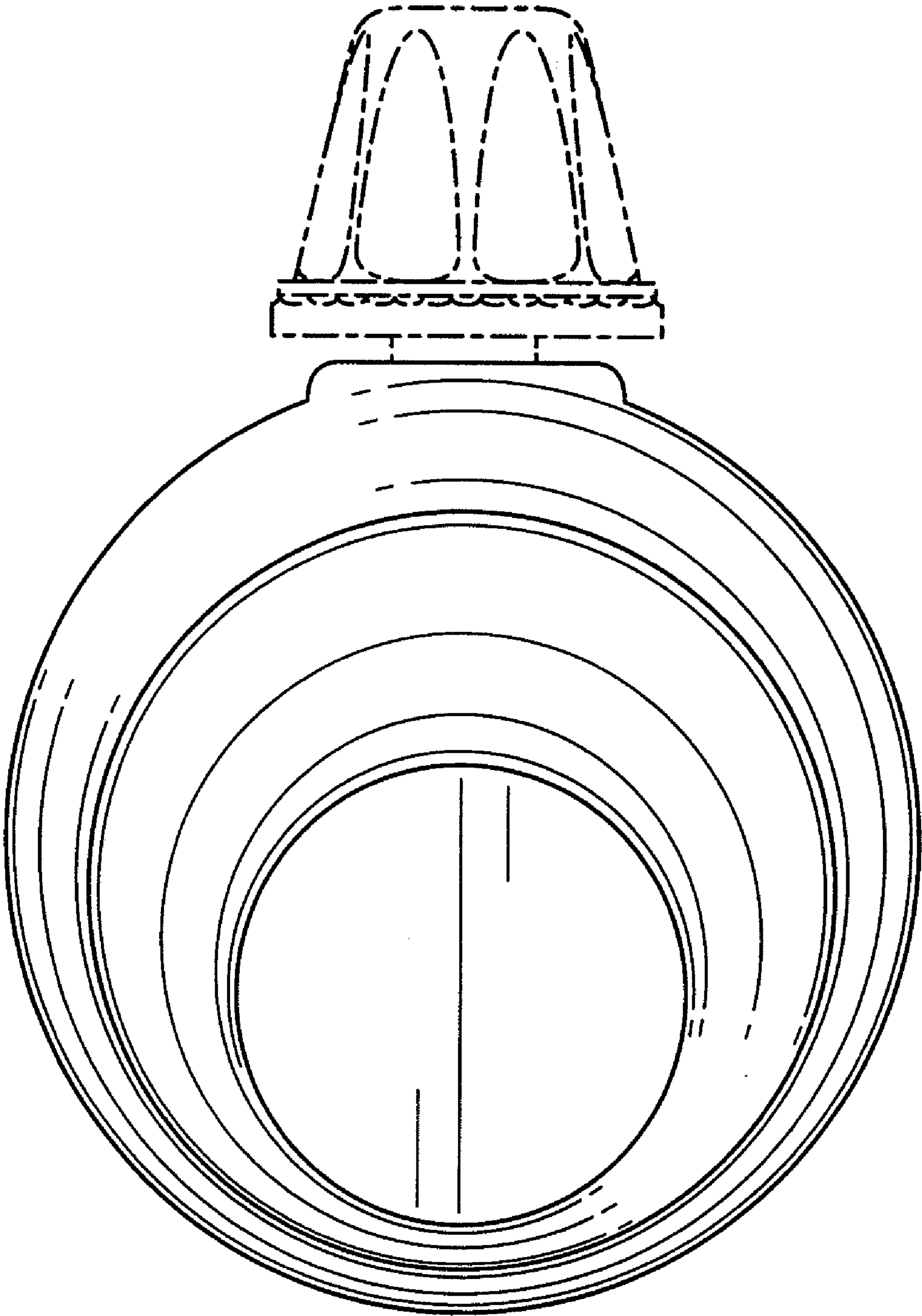


FIG. 6



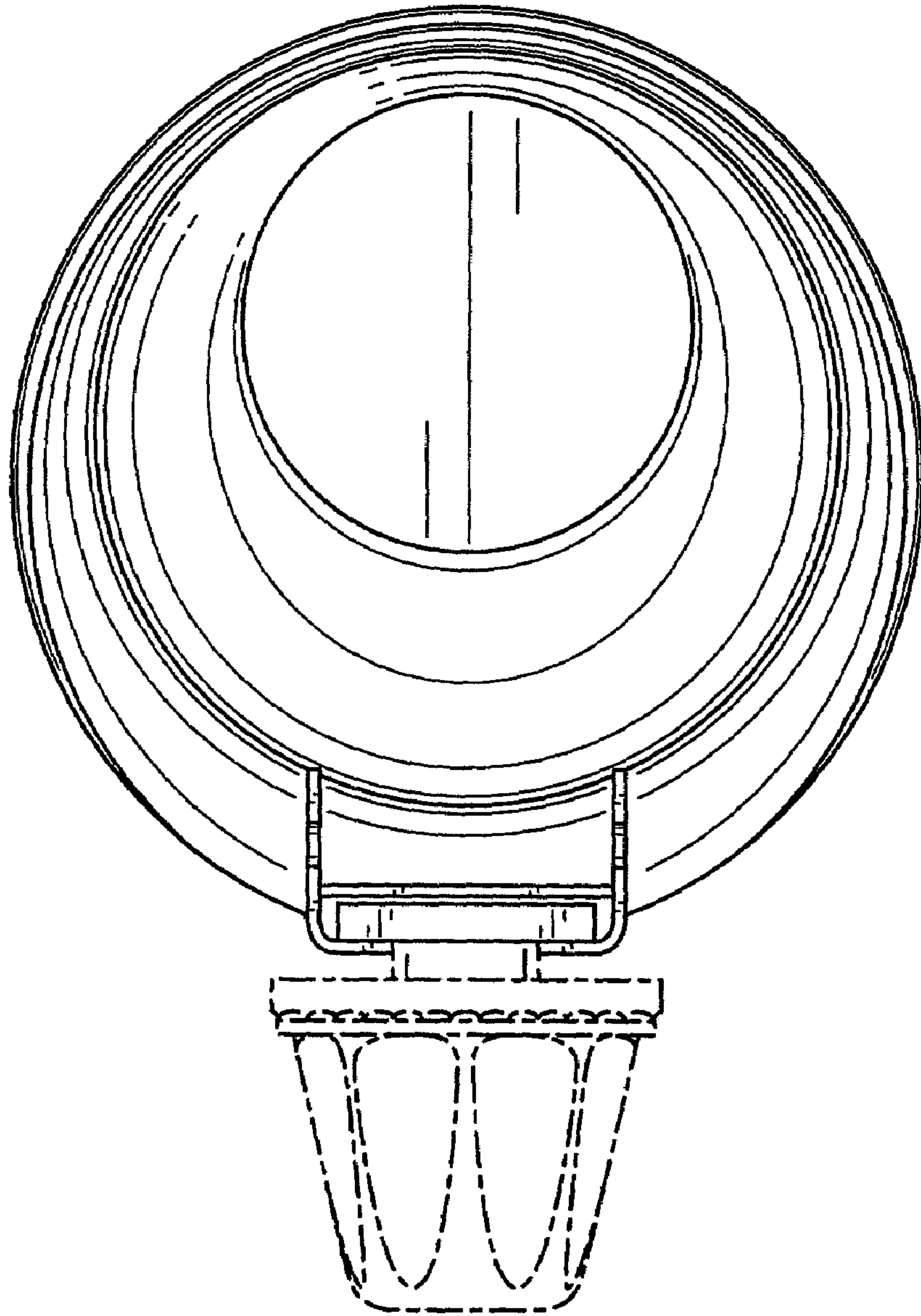


FIG. 7