



US00D595906S

(12) **United States Design Patent**
Tsai

(10) **Patent No.:** **US D595,906 S**
(45) **Date of Patent:** **** Jul. 7, 2009**

(54) **DIRT COLLECTOR FOR AQUARIUM**

(76) Inventor: **Hsueh-Lee Tsai**, No. 55, Jenyi Road,
Yunlin Hsien, TW (TW) 63244

(**) Term: **14 Years**

(21) Appl. No.: **29/307,347**

(22) Filed: **Apr. 14, 2008**

(30) **Foreign Application Priority Data**

Mar. 13, 2008 (TW) 97301489

(51) **LOC (9) Cl.** **30-02**

(52) **U.S. Cl.** **D30/106**

(58) **Field of Classification Search** D30/101-107;
D23/209; 119/232, 245; 210/167.21, 167.23,
210/167.25-167.27

See application file for complete search history.

(56) **References Cited**

U.S. PATENT DOCUMENTS

D166,284 S *	3/1952	Weilburg	D30/106
D198,200 S *	5/1964	Willinger	D30/106
D214,918 S *	8/1969	Willinger	D30/106
3,487,935 A *	1/1970	Lovitz	210/167.23
3,635,344 A *	1/1972	Lovitz	210/167.27
D223,110 S *	3/1972	Palson	D30/106
D224,238 S *	7/1972	Willinger	D30/106
D228,197 S *	8/1973	Lovitz	D30/106
D282,016 S *	12/1985	Chestnut	D30/106
D291,736 S *	9/1987	Richter	D30/106

D304,506 S *	11/1989	Tominaga	D30/106
5,484,525 A *	1/1996	Mowka, Jr.	210/167.26
5,636,595 A *	6/1997	Lunde et al.	119/232
5,655,245 A *	8/1997	Bunch	119/232
5,988,109 A *	11/1999	Rofen	119/245
6,269,773 B1 *	8/2001	Rawls	119/232
6,299,765 B1 *	10/2001	Fabrizio	210/167.27
6,443,100 B1 *	9/2002	Brenton	210/167.23
7,011,748 B2 *	3/2006	Tsai	210/167.26
7,179,373 B1 *	2/2007	Wehmeyer et al.	210/167.23

* cited by examiner

Primary Examiner—Cathy Anne MacCormac
(74) *Attorney, Agent, or Firm*—Charles E. Baxley

(57) **CLAIM**

The ornamental design for a dirt collector for aquarium, as shown and described.

DESCRIPTION

FIG. 1 is a perspective view of a dirt collector for aquarium showing my new design;

FIG. 2 is a front elevational view thereof;

FIG. 3 is a rear elevational view thereof;

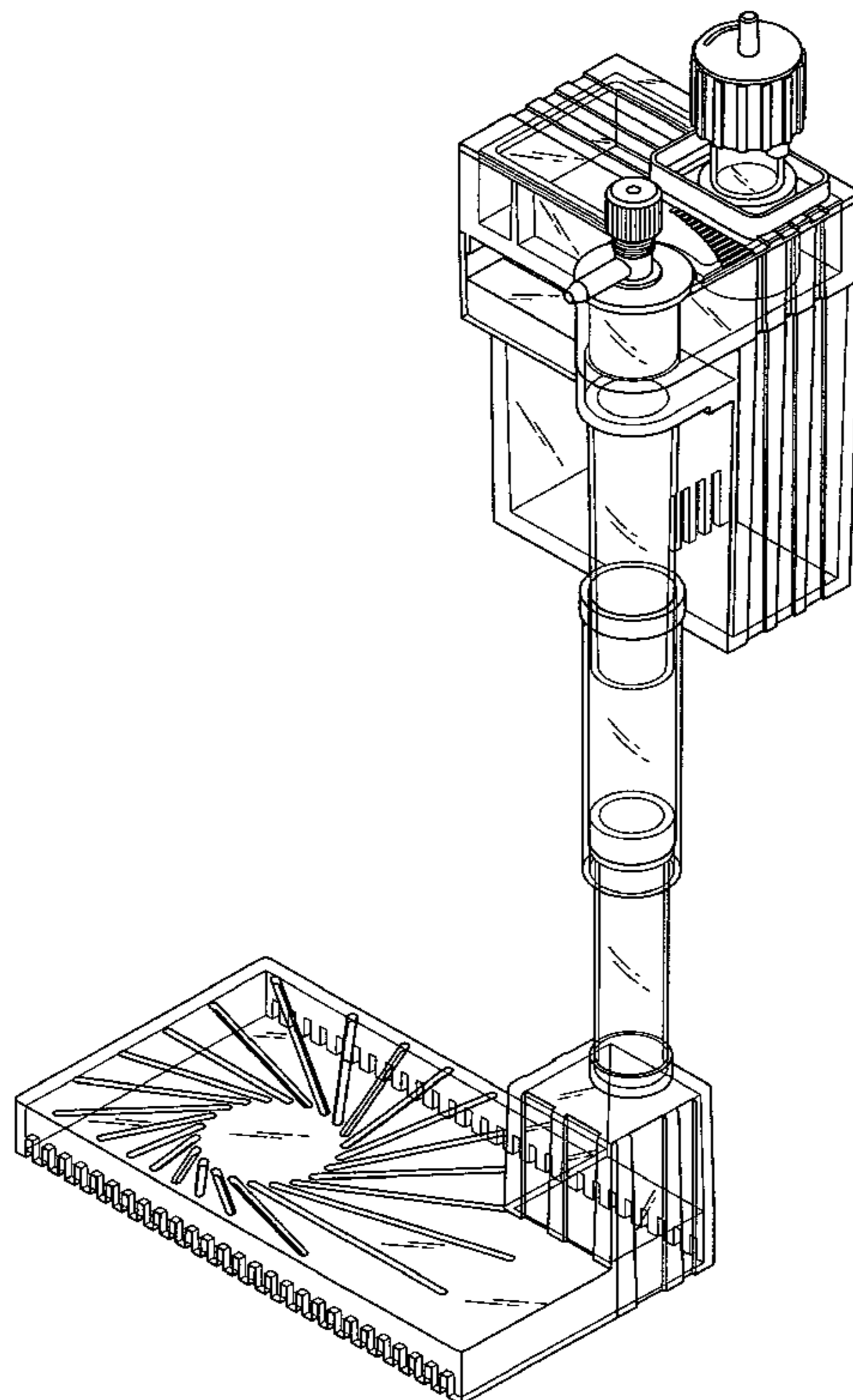
FIG. 4 is a top plan view thereof;

FIG. 5 is a bottom plan view thereof;

FIG. 6 is a left side elevational view thereof; and,

FIG. 7 is a right side elevational view thereof.

1 Claim, 6 Drawing Sheets



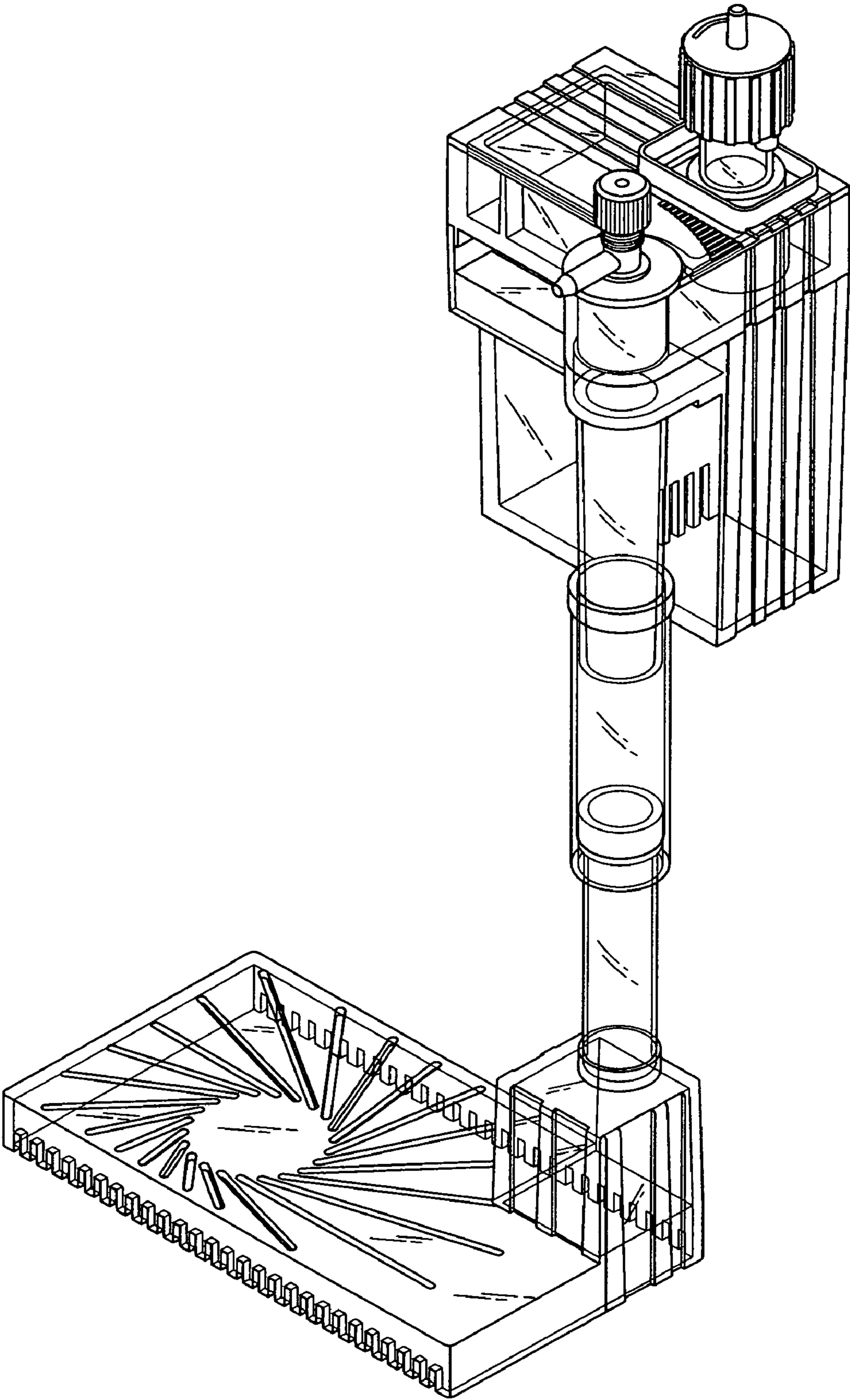


FIG. 1

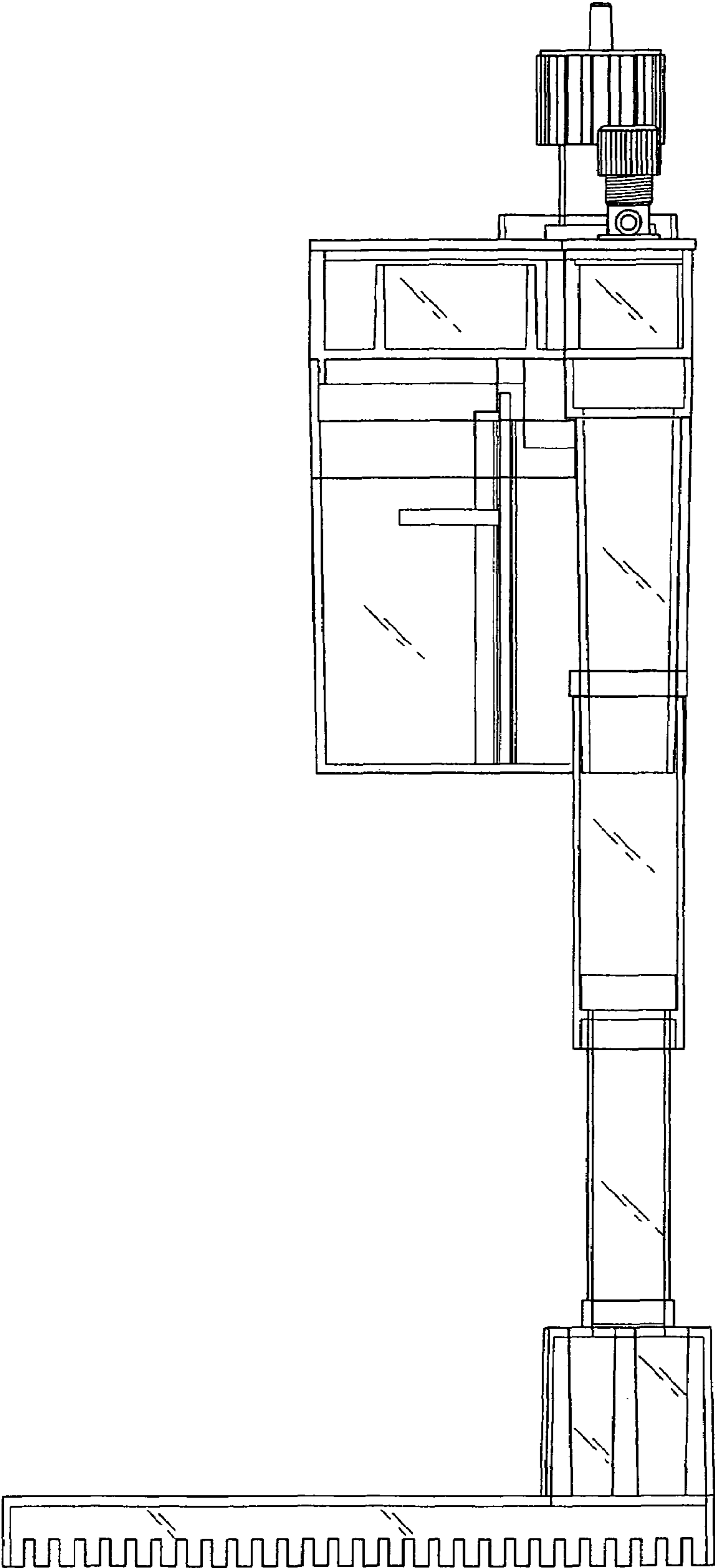


FIG. 2

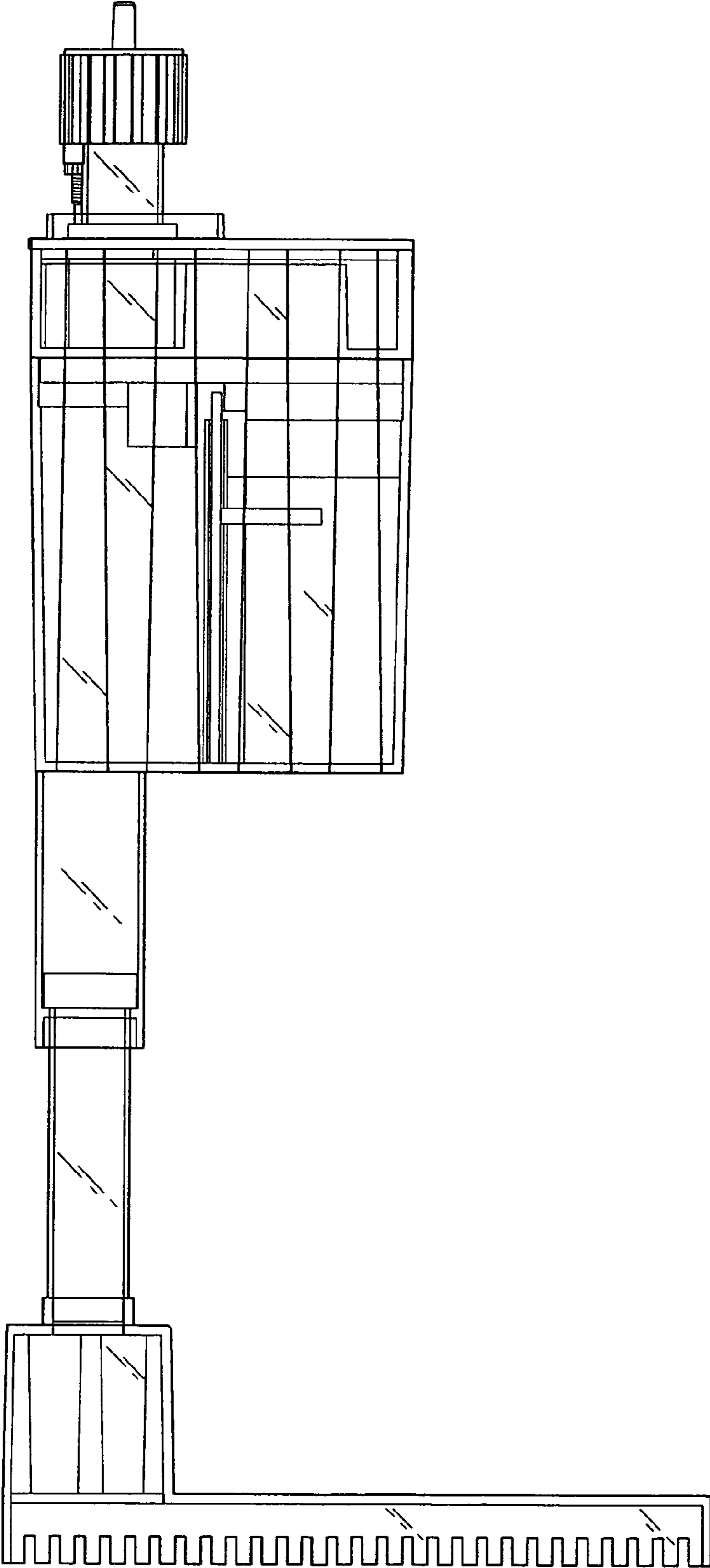


FIG. 3

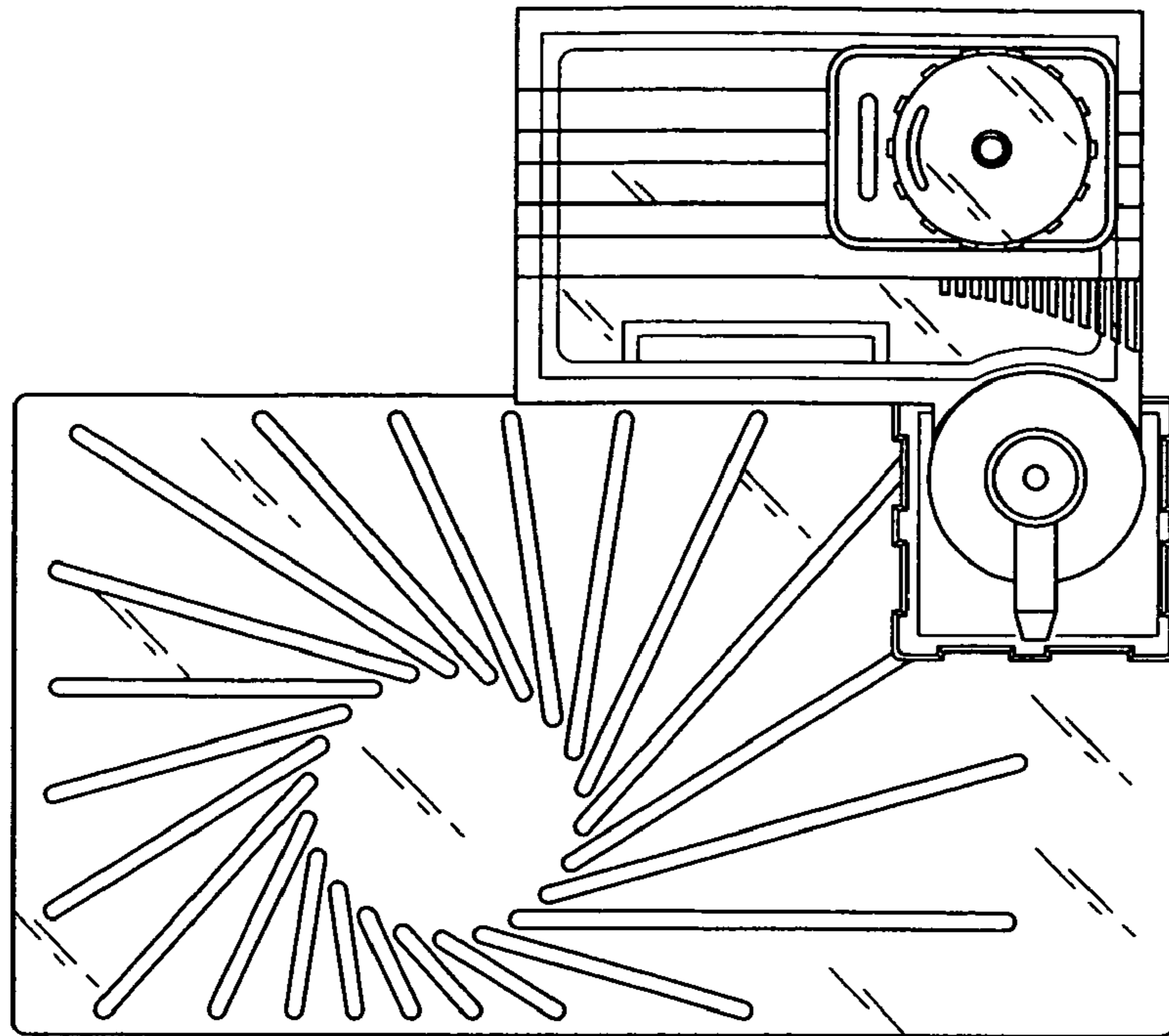


FIG. 4

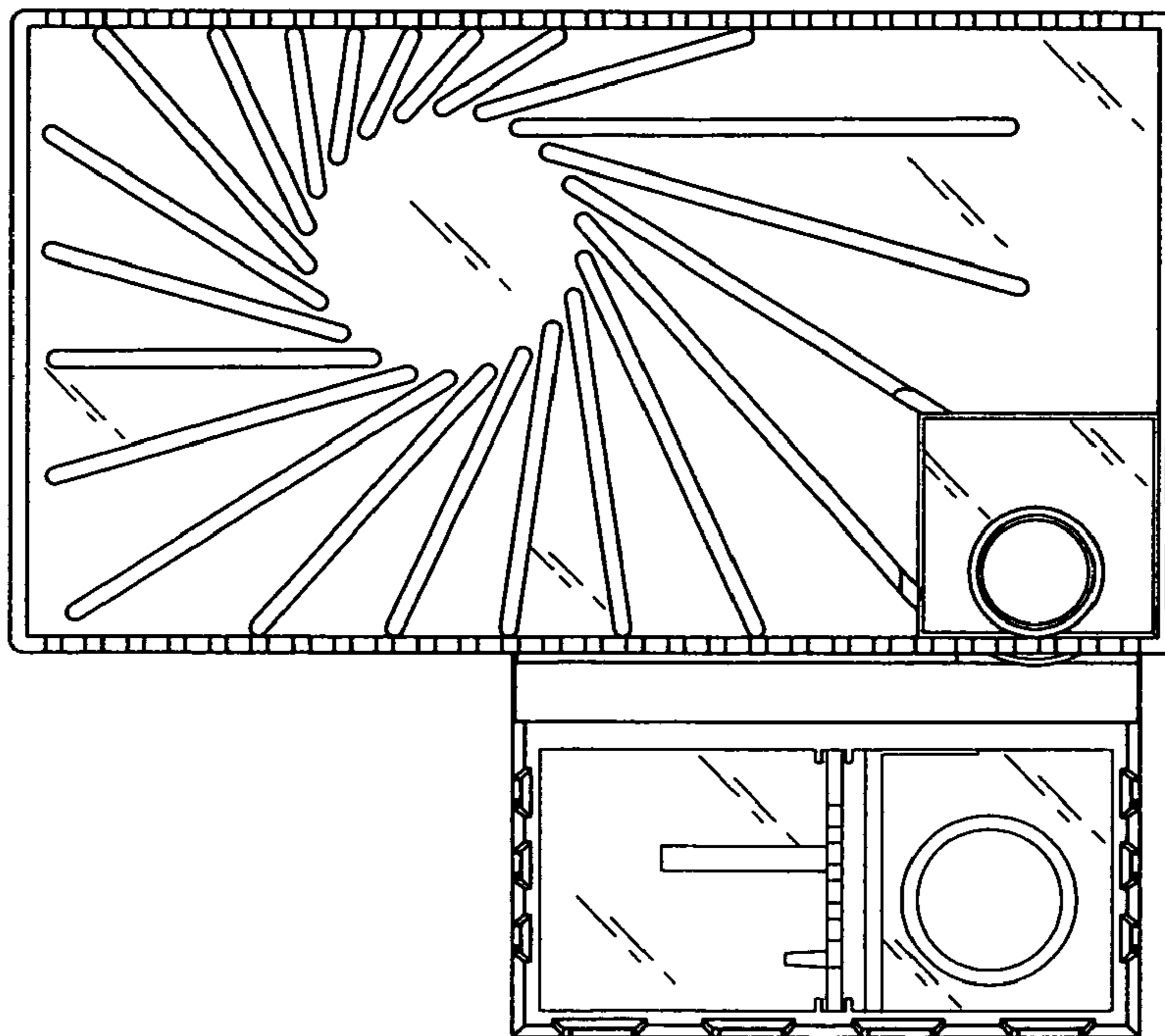


FIG. 5

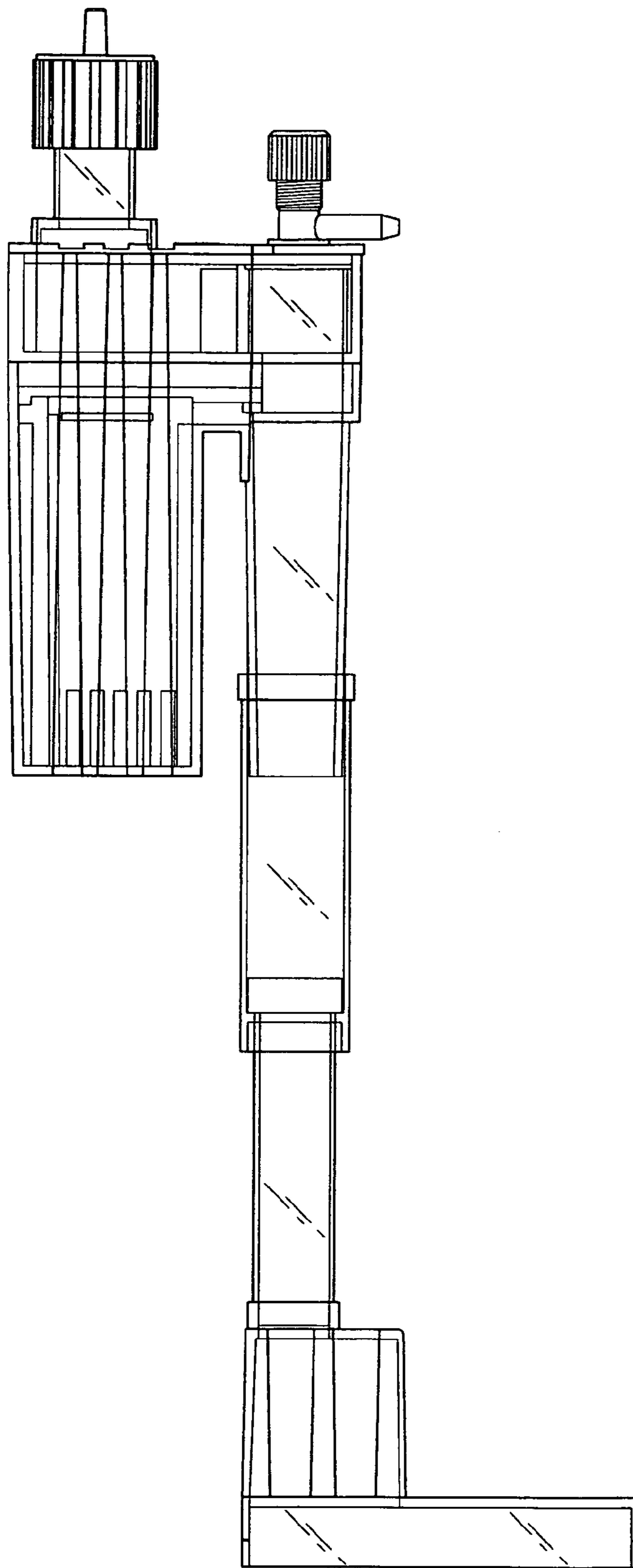


FIG. 6

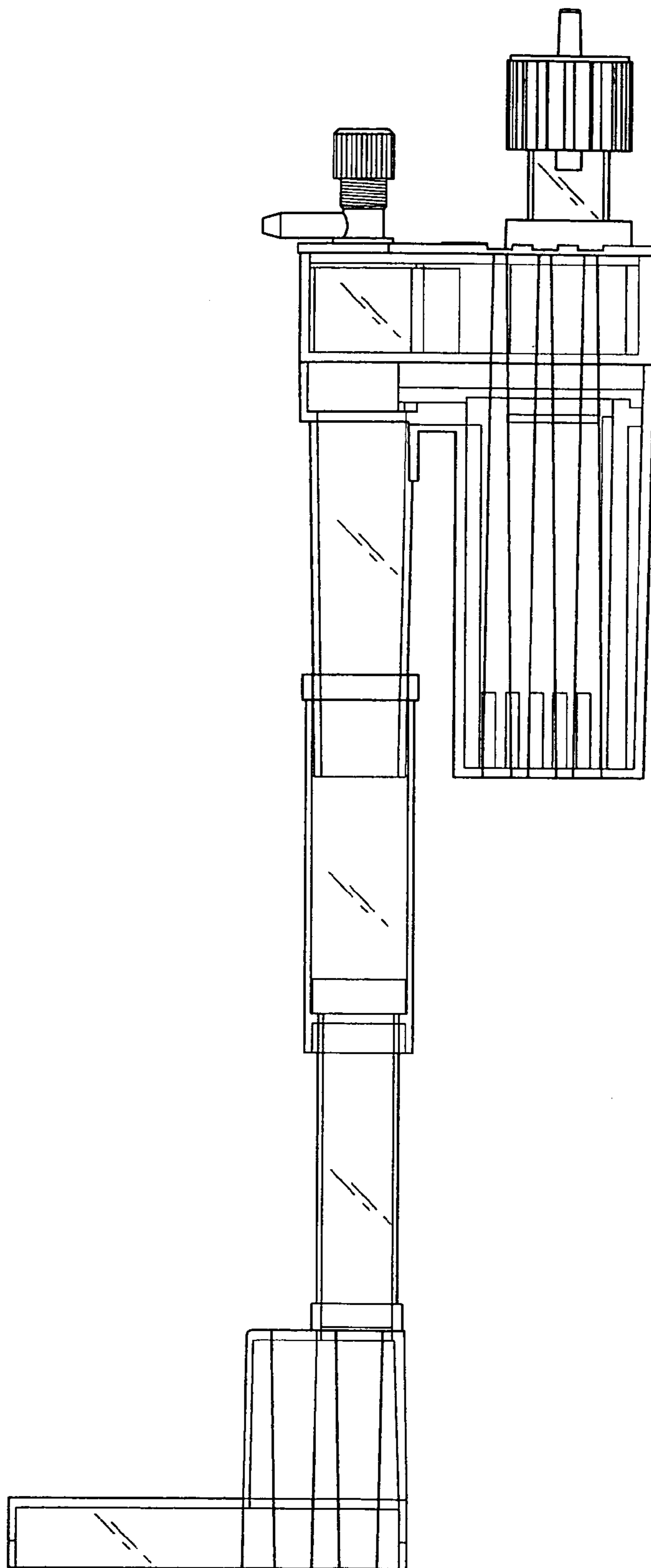


FIG. 7