

US00D595902S

(12) **United States Design Patent**  
**Wiens**

(10) **Patent No.:** **US D595,902 S**  
(45) **Date of Patent:** **\*\* Jul. 7, 2009**

(54) **JOCK CUP**

(76) Inventor: **Joel J. Wiens**, 10570 202nd St. West,  
Lakeville, MN (US) 55044

(\*\*) Term: **14 Years**

(21) Appl. No.: **29/286,279**

(22) Filed: **May 1, 2007**

(51) **LOC (9) Cl.** ..... **09-03**

(52) **U.S. Cl.** ..... **D29/101.5**

(58) **Field of Classification Search** ..... D29/10,  
D29/11, 100, 101.5, 122; D2/711, 713; 128/95.1,  
128/96.1, 98.1, 846, 891; 602/67, 68, 70,  
602/72, 73, 96, 108, 114; 2/2, 455; 450/38,  
450/228, 267, 403, 405; 623/7; 604/352,  
604/353, 395

See application file for complete search history.

(56) **References Cited**

**U.S. PATENT DOCUMENTS**

- 4,453,541 A \* 6/1984 Castelli et al. .... 602/72
- D294,075 S \* 2/1988 Bernstein ..... D2/711
- 4,967,768 A \* 11/1990 Tatro ..... 128/891
- D364,262 S \* 11/1995 Magidson et al. .... D2/711
- 5,479,942 A \* 1/1996 DiMatteo ..... 128/846

- 6,048,327 A \* 4/2000 Kieffer ..... 602/70
- D571,533 S \* 6/2008 Wiens ..... D2/713
- D579,628 S \* 11/2008 Wiens ..... D2/711
- 2004/0024341 A1 \* 2/2004 Jacobs ..... 602/72

\* cited by examiner

*Primary Examiner*—Robert M Spear

*Assistant Examiner*—Barbara B Lohr

(74) *Attorney, Agent, or Firm*—Richard John Bartz

(57) **CLAIM**

The ornamental design of a jock cup, as shown and described.

**DESCRIPTION**

FIG. 1 is a perspective view of the jock cup of my design;

FIG. 2 is a top plan view thereof;

FIG. 3 is a front elevational view thereof;

FIG. 4 is a bottom plan view thereof;

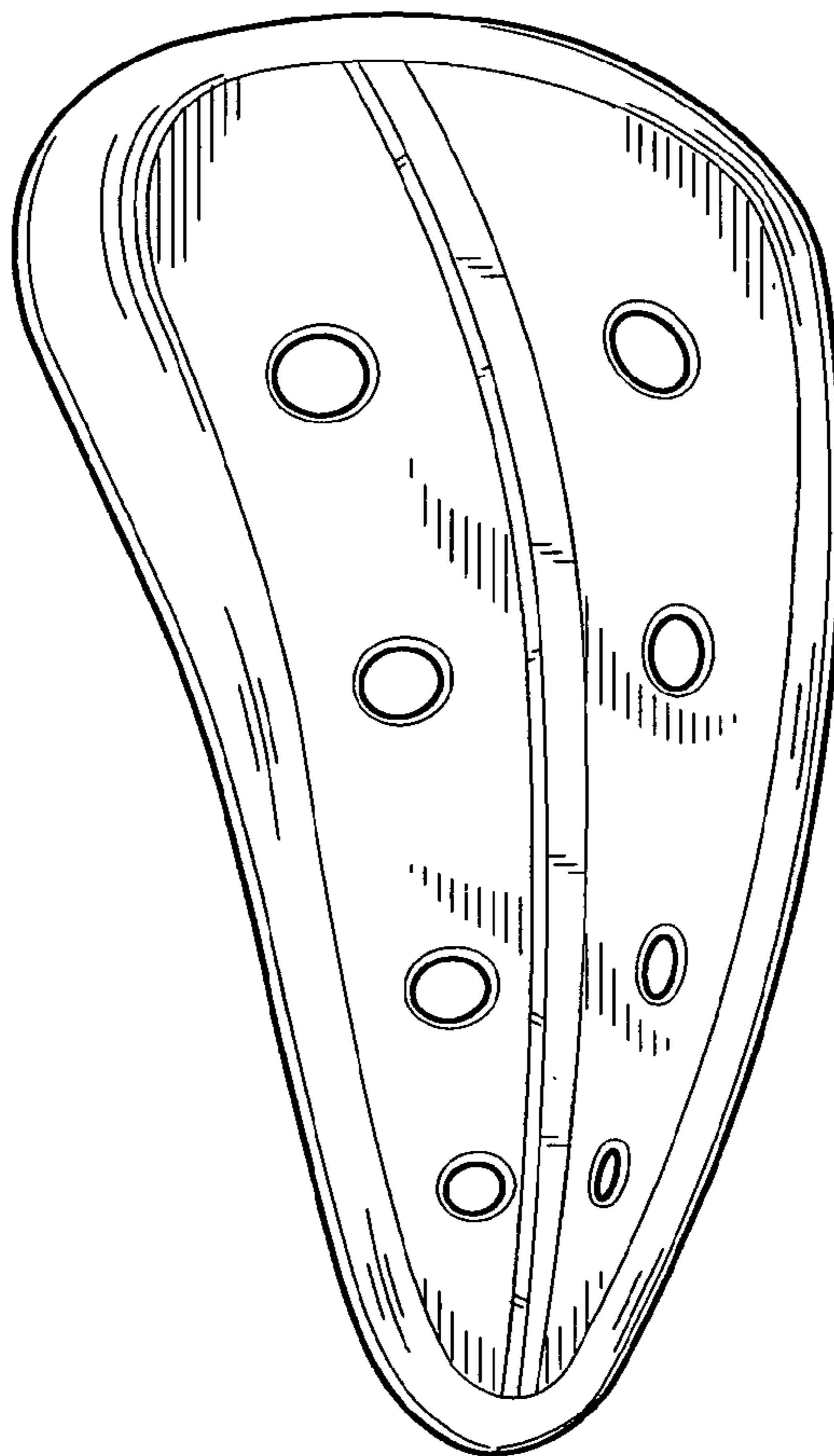
FIG. 5 is a side elevational view of the left side thereof;

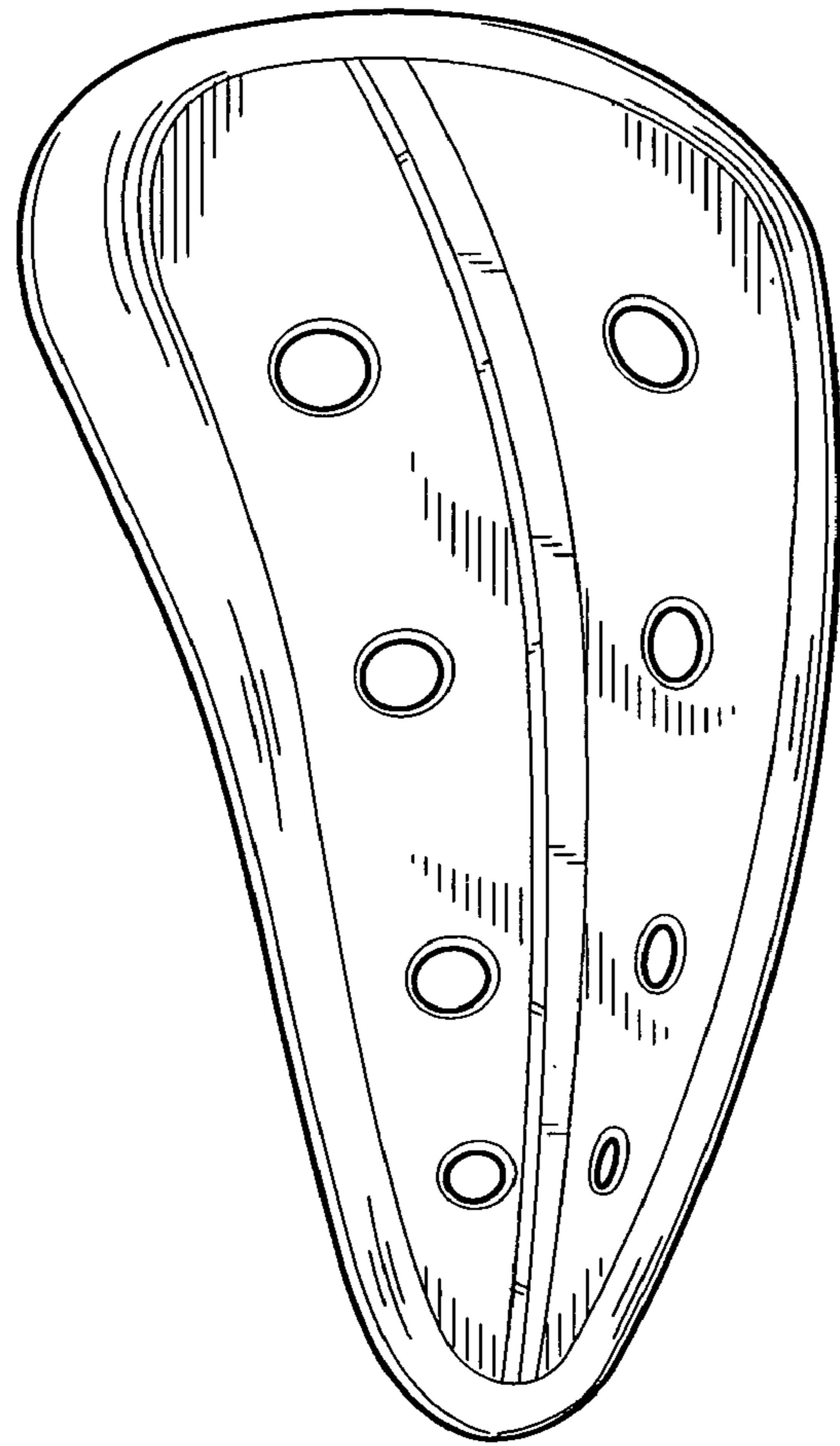
FIG. 6 is a side elevational view of the right side thereof;

FIG. 7 is a rear elevational view thereof; and,

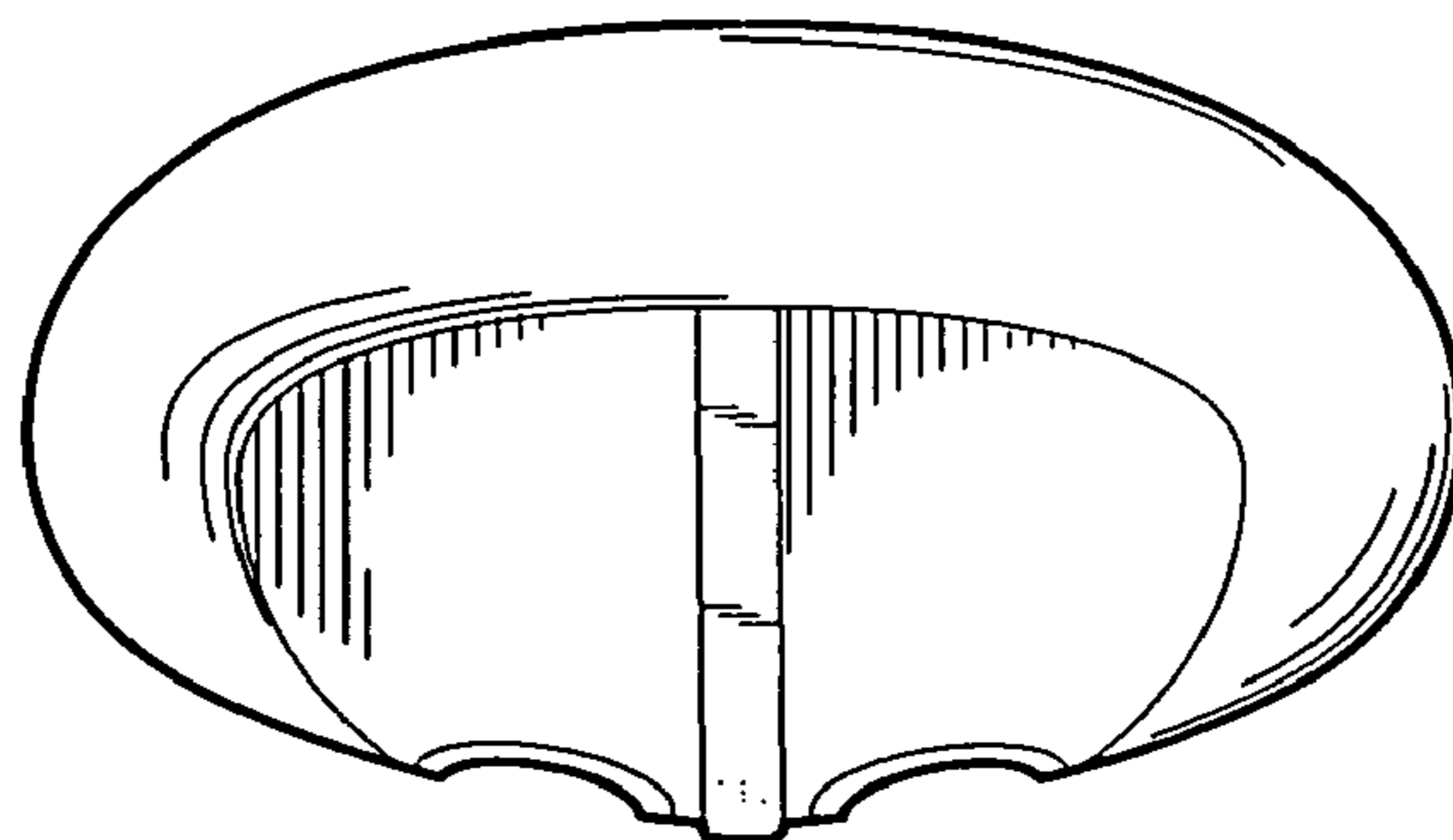
FIG. 8 is a sectional view taken along line 8—8 of FIG. 3.

**1 Claim, 4 Drawing Sheets**

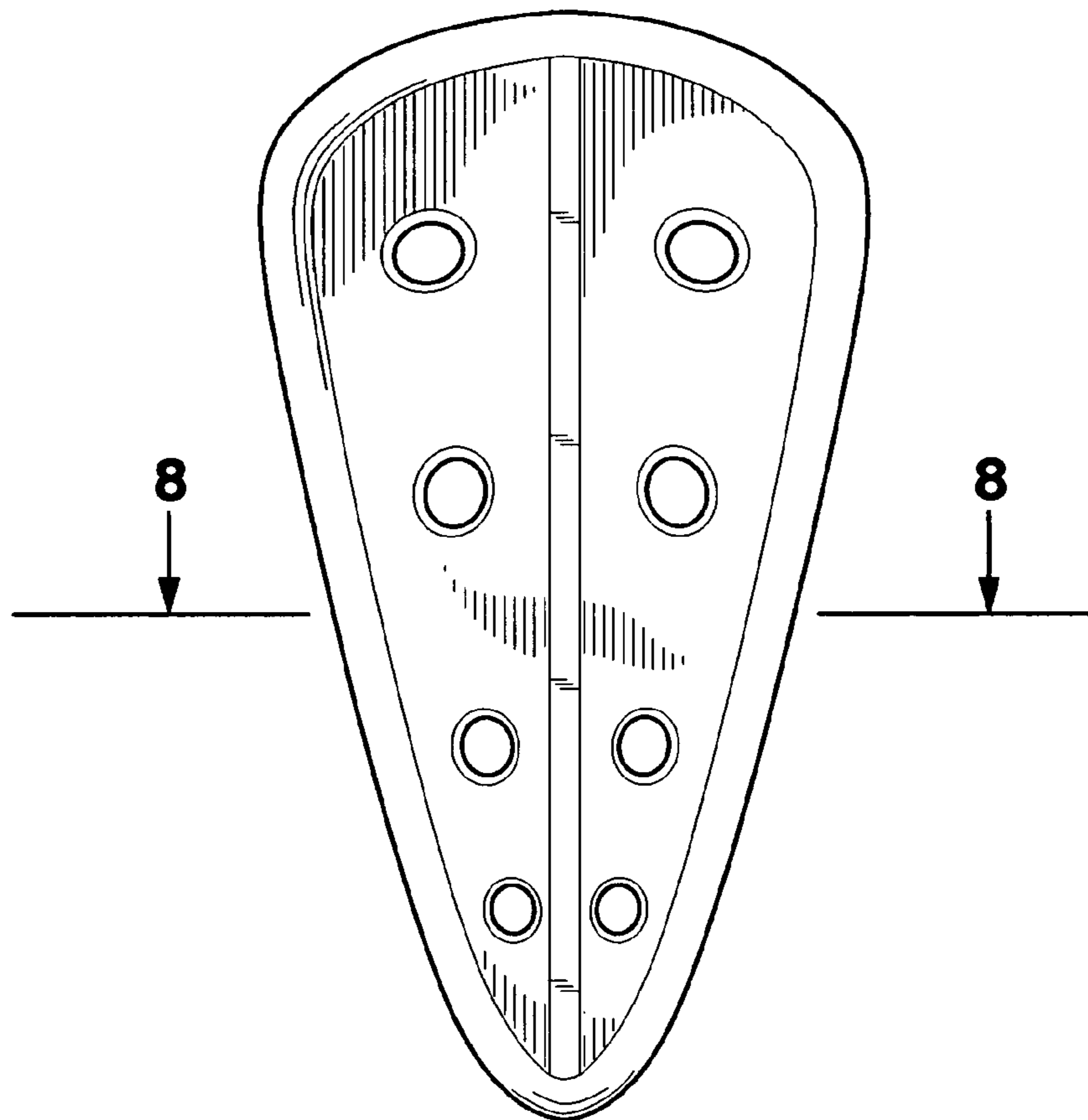




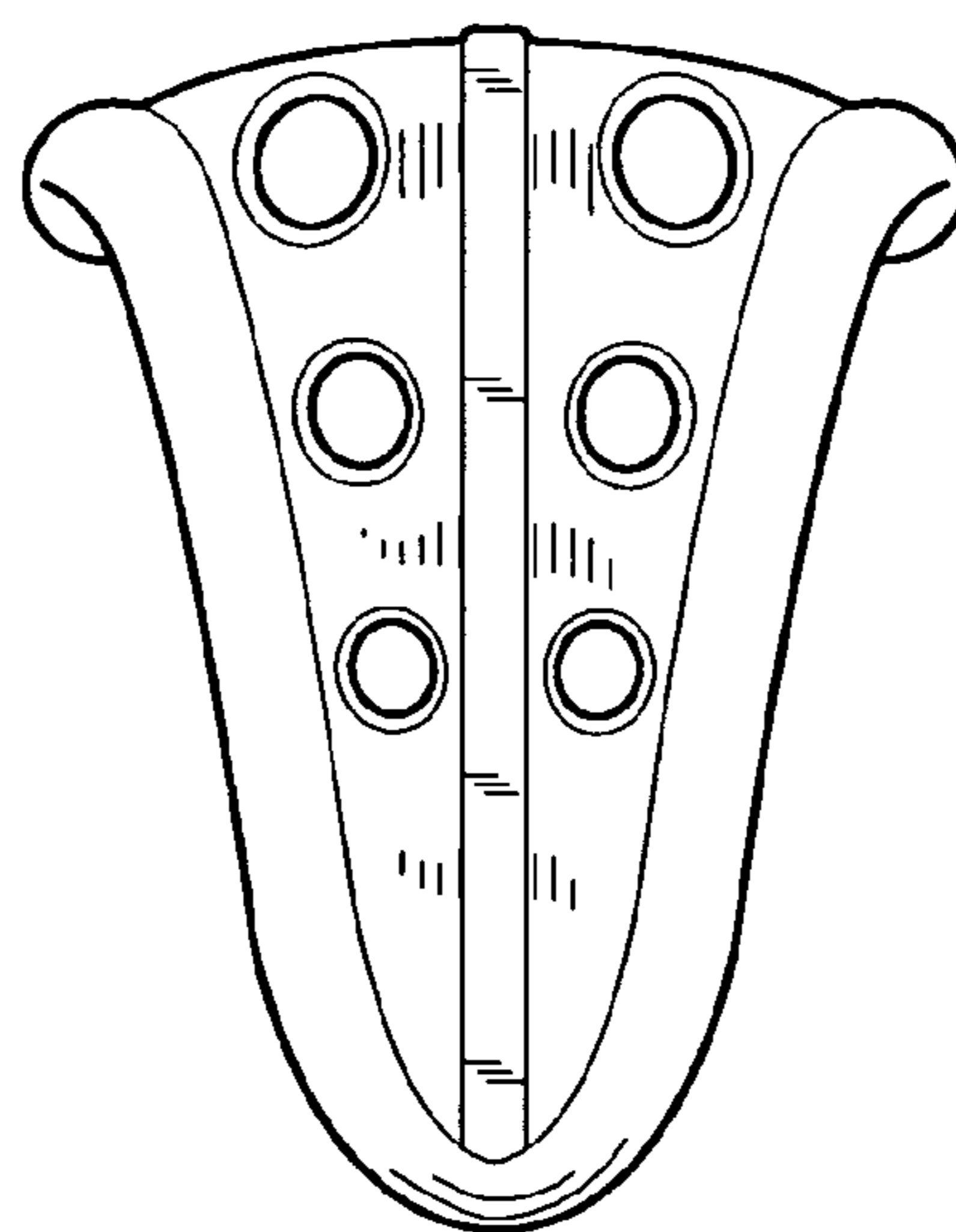
**FIG. 1**



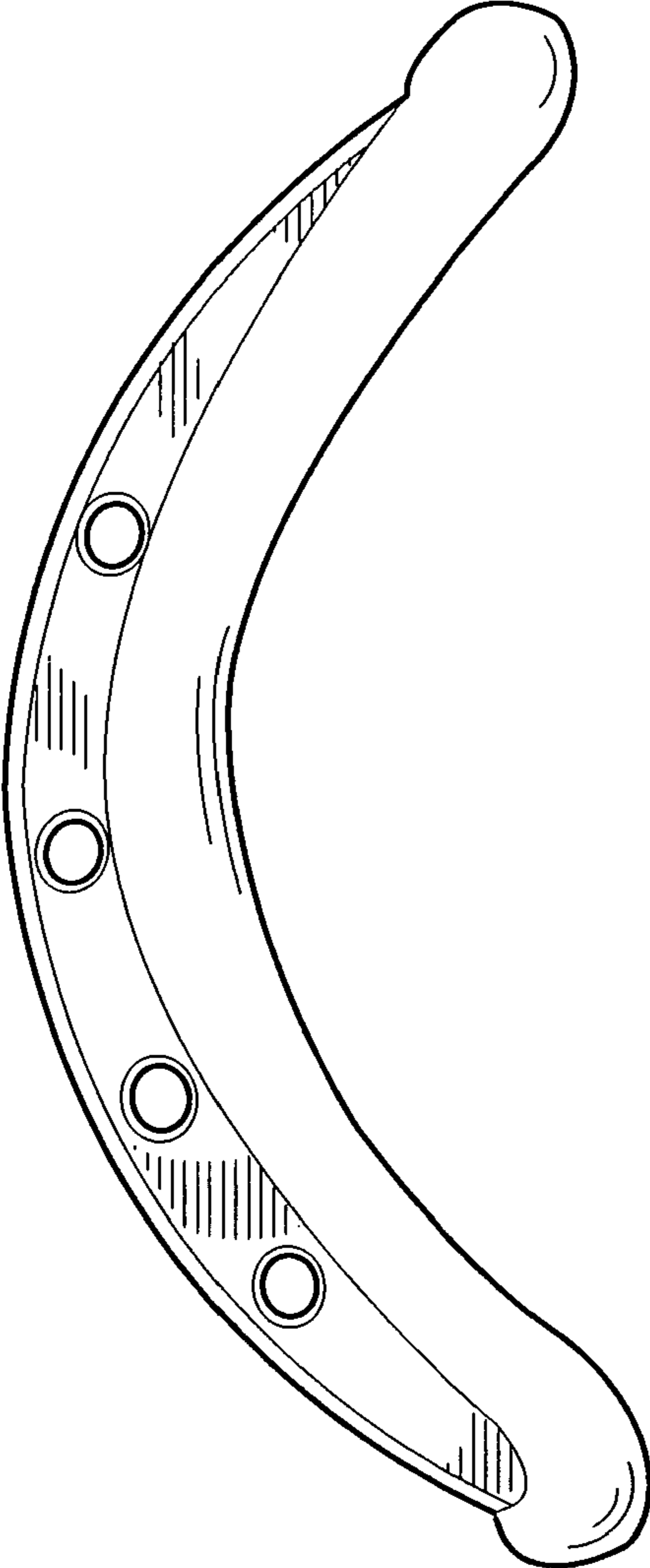
**FIG. 2**



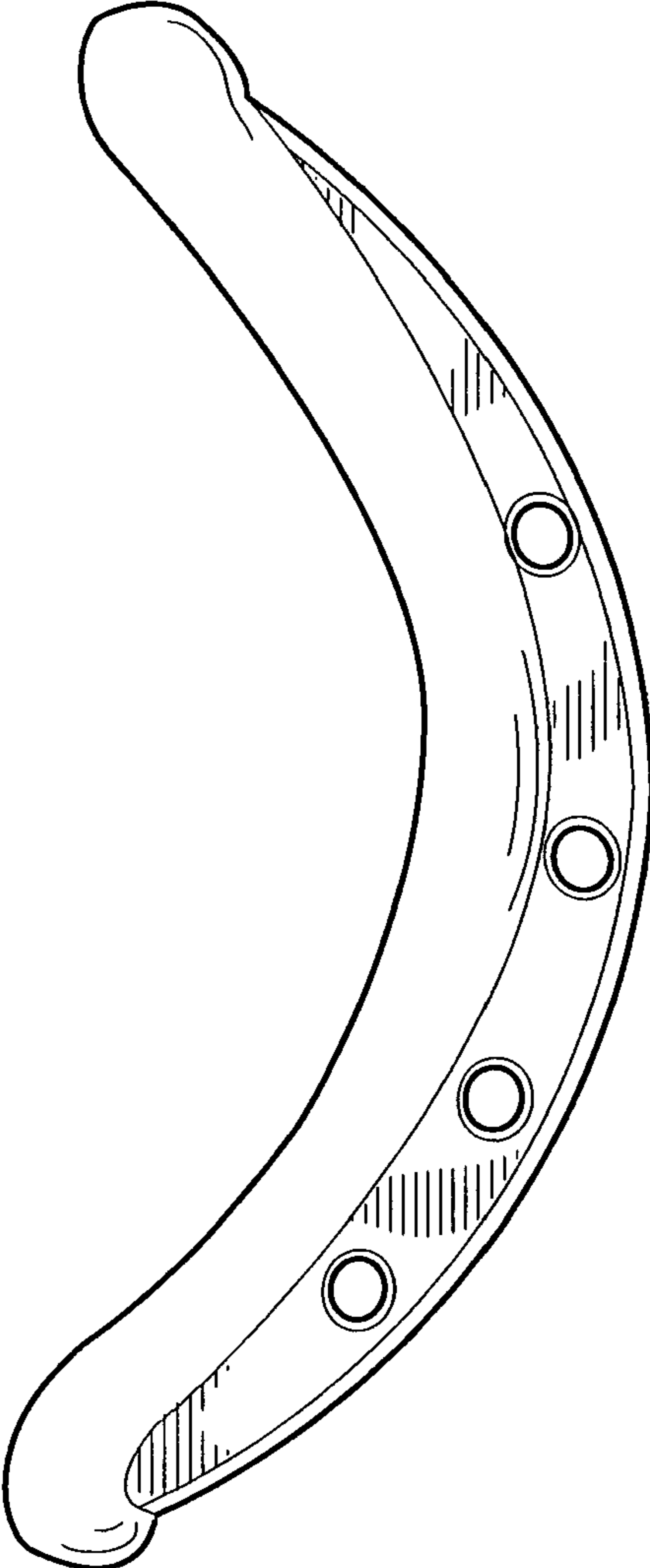
**FIG. 3**



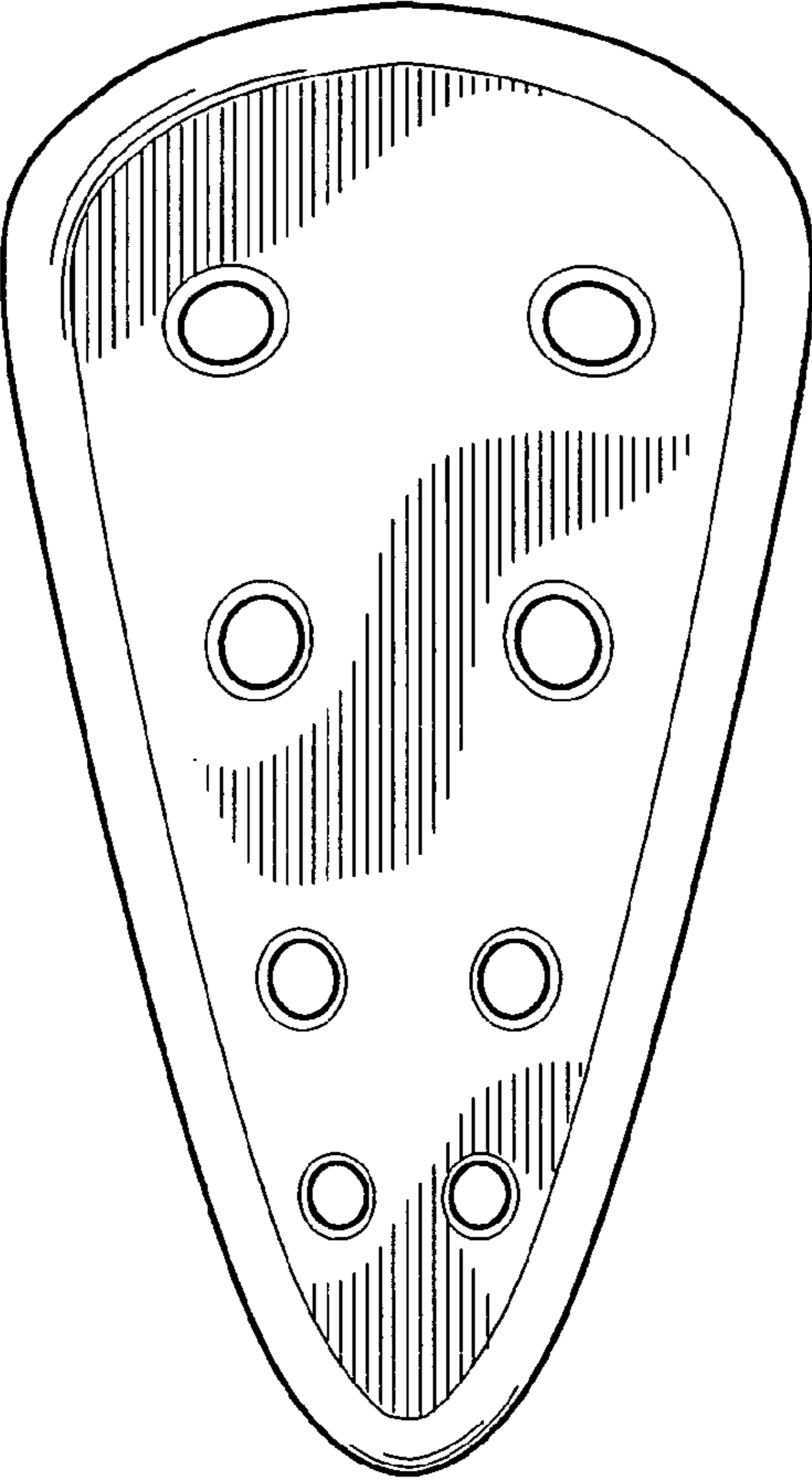
**FIG. 4**



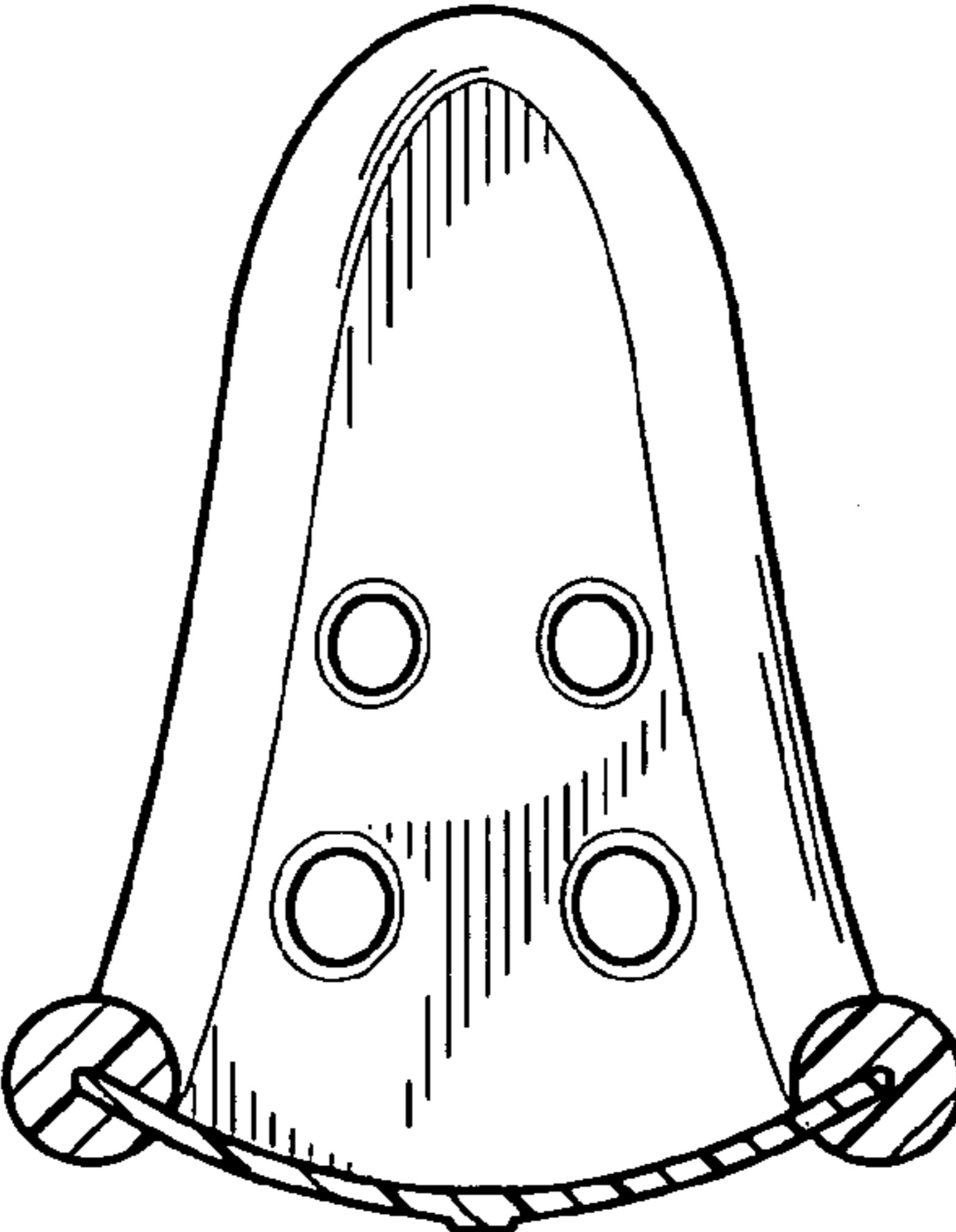
**FIG. 5**



**FIG. 6**



**FIG. 7**



**FIG. 8**